

[54] BLOOD PUMP DRIVE CONSOLE FOR PATIENT SUPPORT DURING OPEN HEART SURGERY

[75] Inventor: Donald K. Georgi, Wayzata, Minn.

[73] Assignee: Bio-Medicus, Inc., Eden Prairie, Minn.

[\*\*] Term: 14 Years

[21] Appl. No.: 841,707

[22] Filed: Mar. 4, 1986

[52] U.S. Cl. .... D24/17; D24/8

[58] Field of Search ..... D24/8, 17, 21; 128/1 D; 604/118; 417/477, 475

[56] References Cited

U.S. PATENT DOCUMENTS

|            |        |             |       |           |
|------------|--------|-------------|-------|-----------|
| D. 196,409 | 9/1963 | Lerman      | ..... | D24/8     |
| D. 234,638 | 3/1975 | Schmidt     | ..... | D24/8     |
| 3,572,979  | 3/1971 | Morton      | ..... | 128/1 D X |
| 4,493,315  | 1/1985 | Edwards, II | ..... | 128/1 D   |

OTHER PUBLICATIONS

Brochure re: Bio-Console Model 520 series, copyrighted 1982.

Primary Examiner—Wallace R. Burke

Assistant Examiner—Stella M. Reid  
Attorney, Agent, or Firm—Merchant, Gould, Smith, Edell, Welter & Schmidt

[57] CLAIM

The ornamental design for a blood pump drive console for patient support during open heart surgery, as shown.

DESCRIPTION

FIG. 1 is a rear perspective view of a blood pump drive console for patient support during open heart surgery showing my design, with the control access drawers in closed position;

FIG. 2 is a side elevational view thereof;

FIG. 3 is a top plan view thereof;

FIG. 4 is a front elevational view thereof;

FIG. 5 is a rear elevational view thereof;

FIG. 6 is a side elevational view thereof, opposite that shown in FIG. 2;

FIG. 7 is a bottom plan view thereof;

FIG. 8 is a rear perspective view thereof, with the control access drawers in open position;

FIG. 9 is a side elevational view thereof;

FIG. 10 is a top plan view thereof;

FIG. 11 is a rear elevational view thereof;

FIG. 12 is a side elevational view thereof, opposite that shown in FIG. 9; and

FIG. 13 is a bottom plan view thereof.

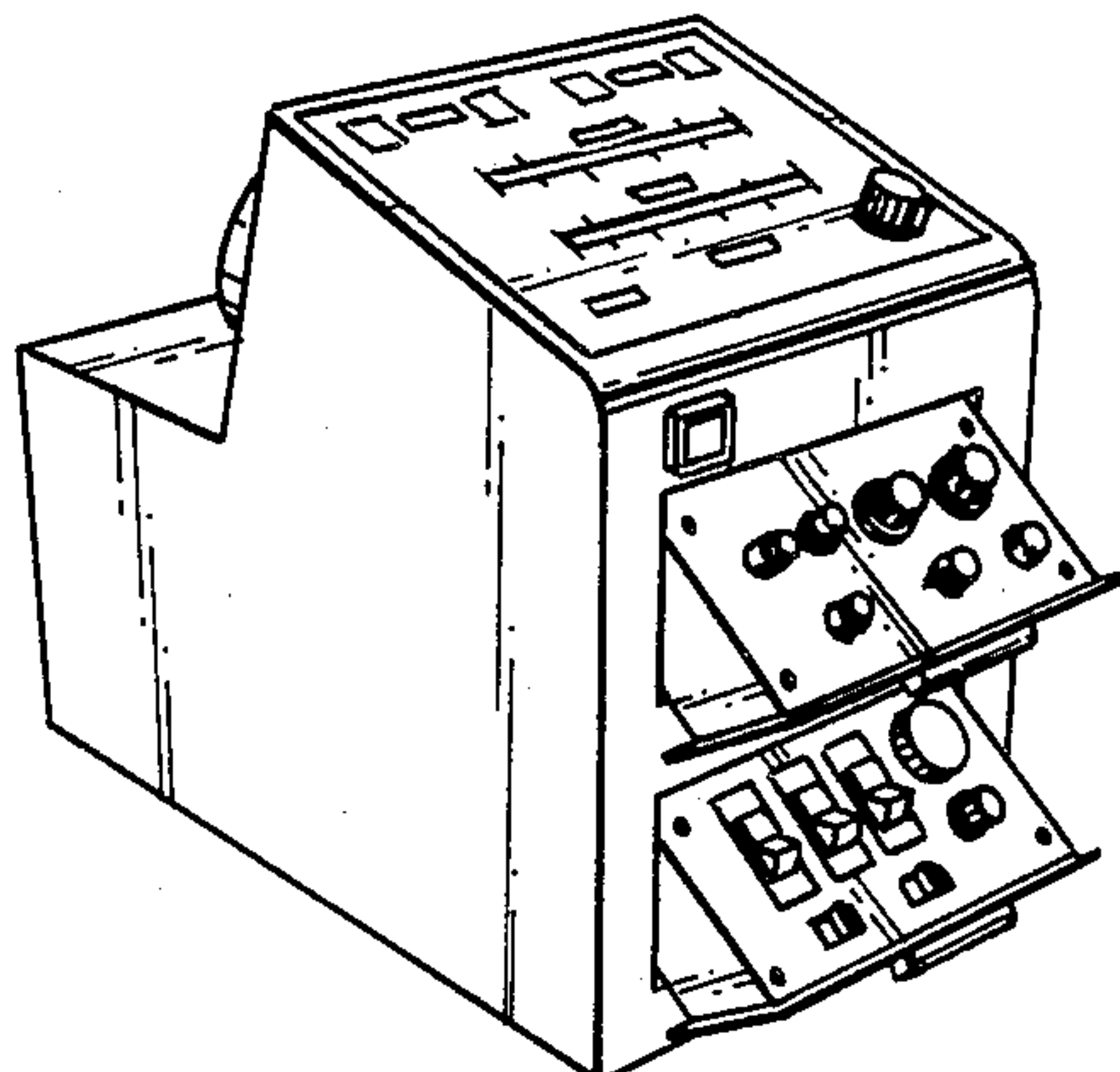
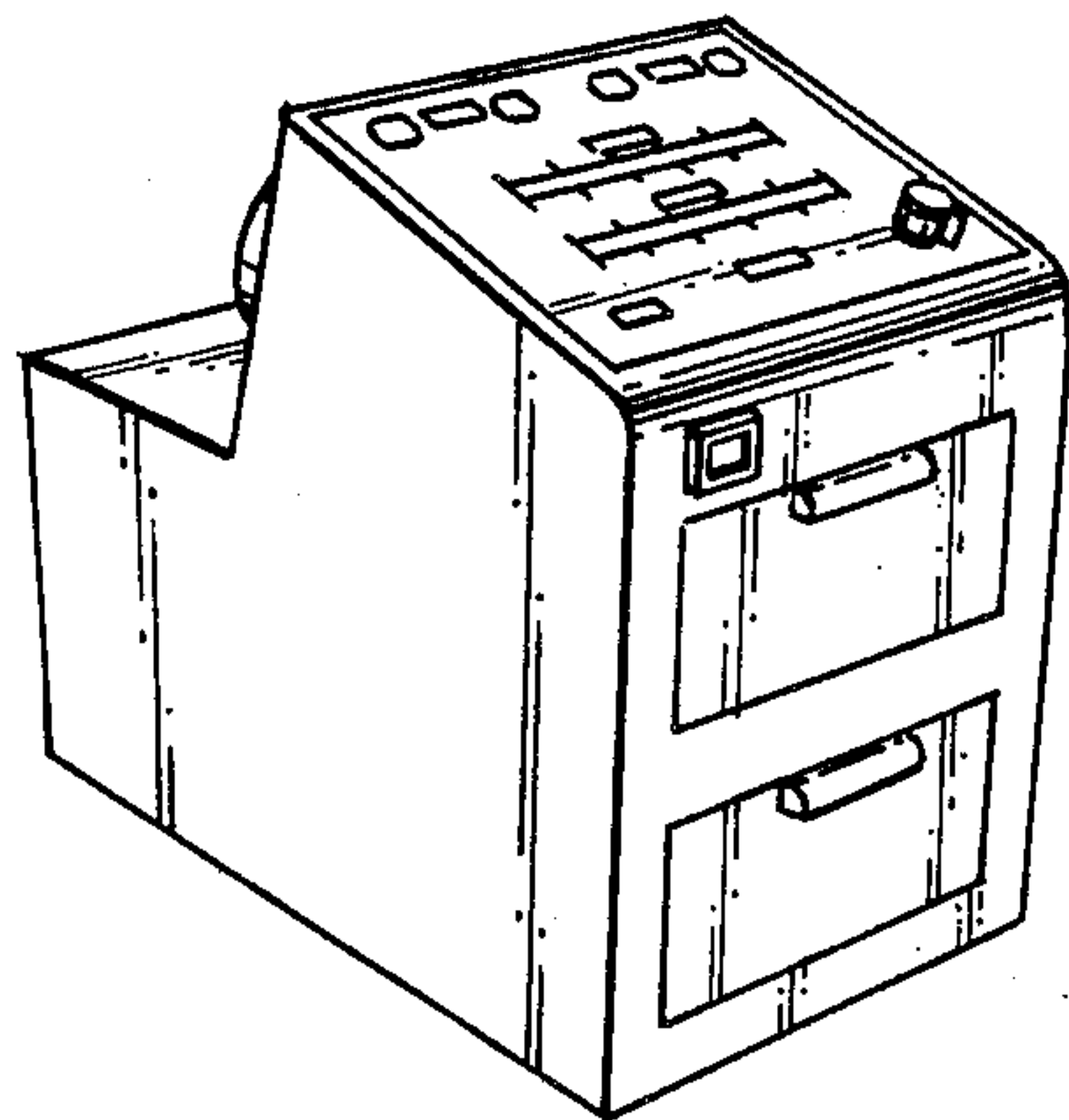


FIG. 1

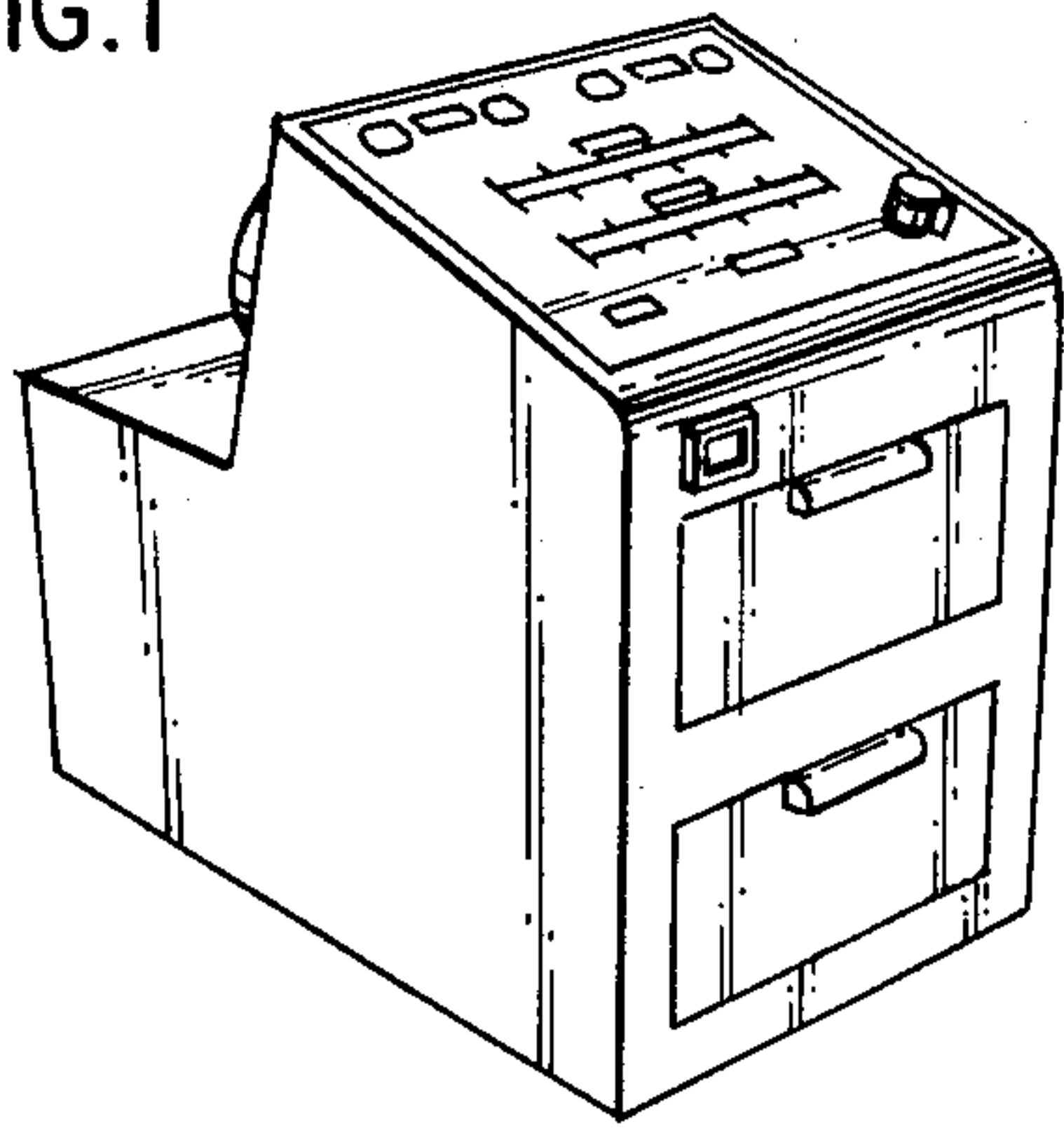


FIG. 2

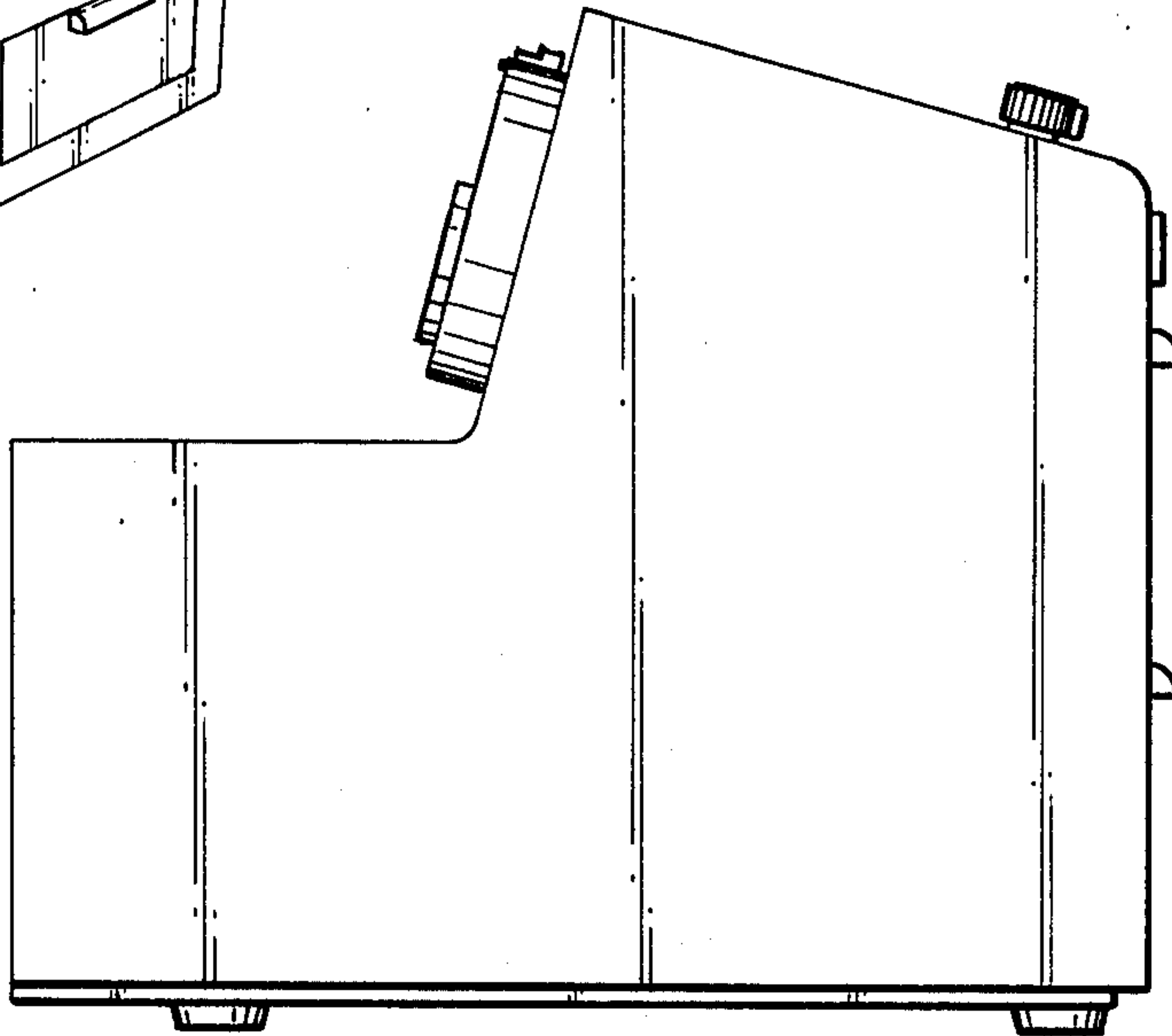
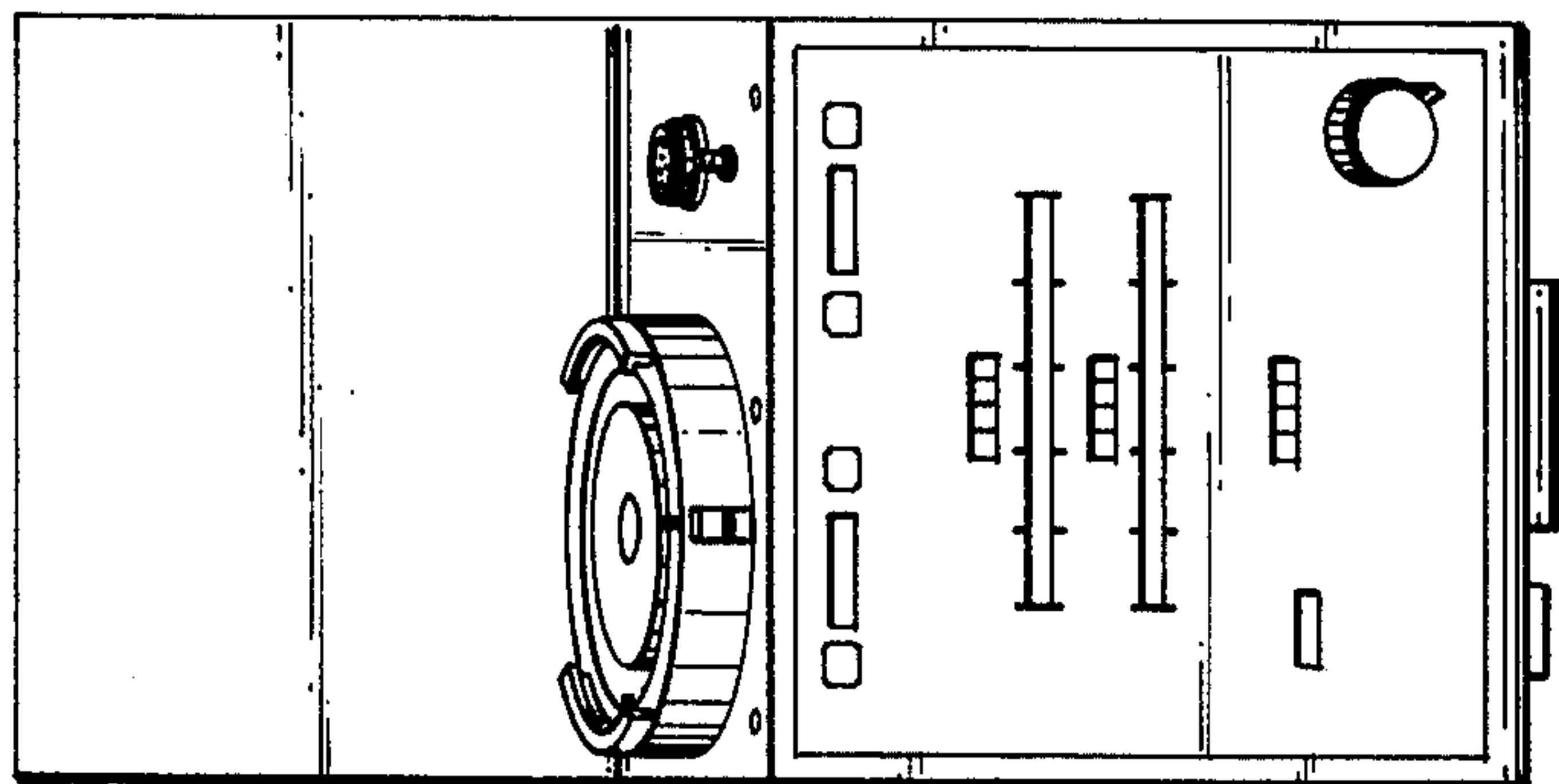


FIG. 3



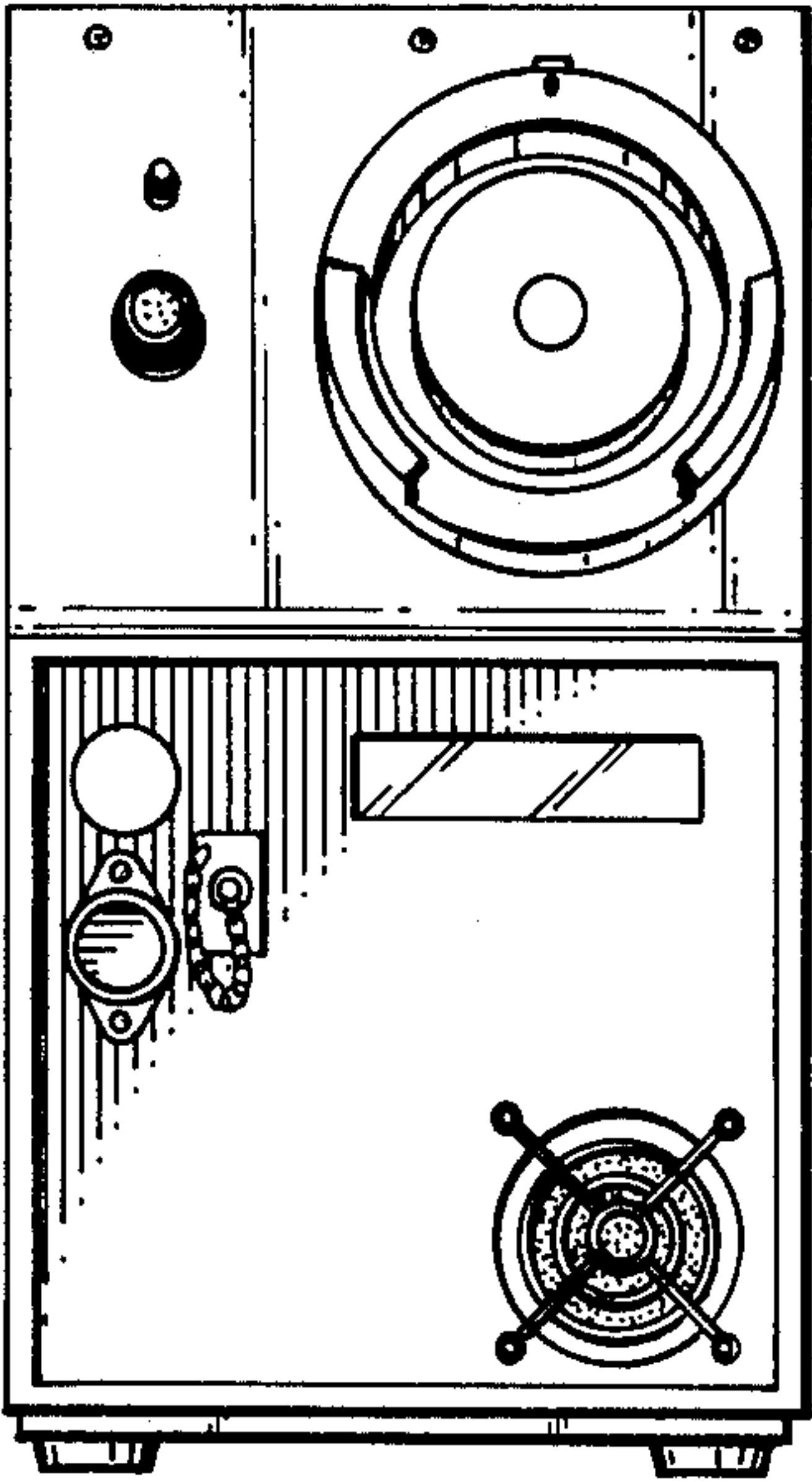


FIG. 4

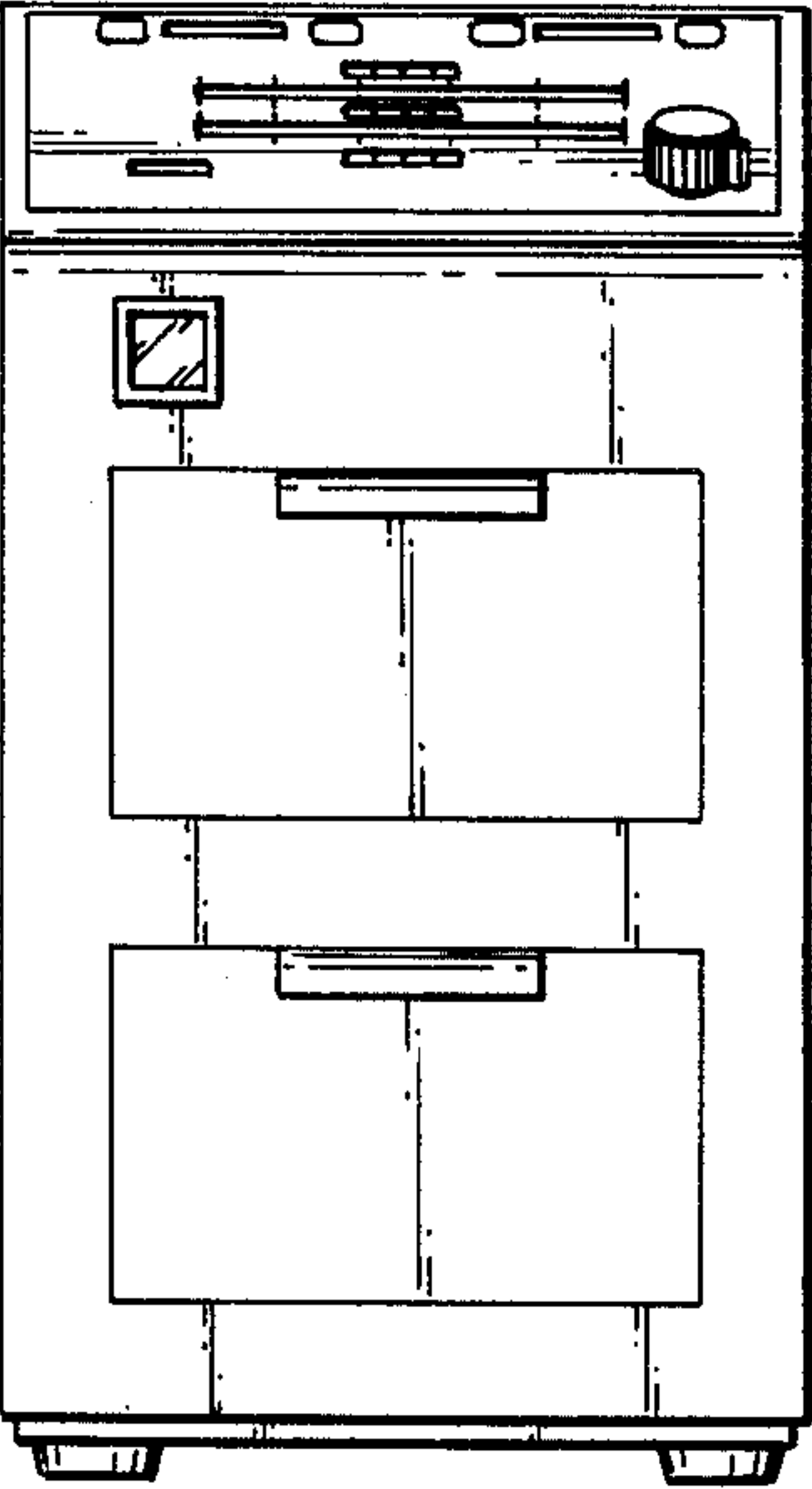


FIG. 5

FIG. 6

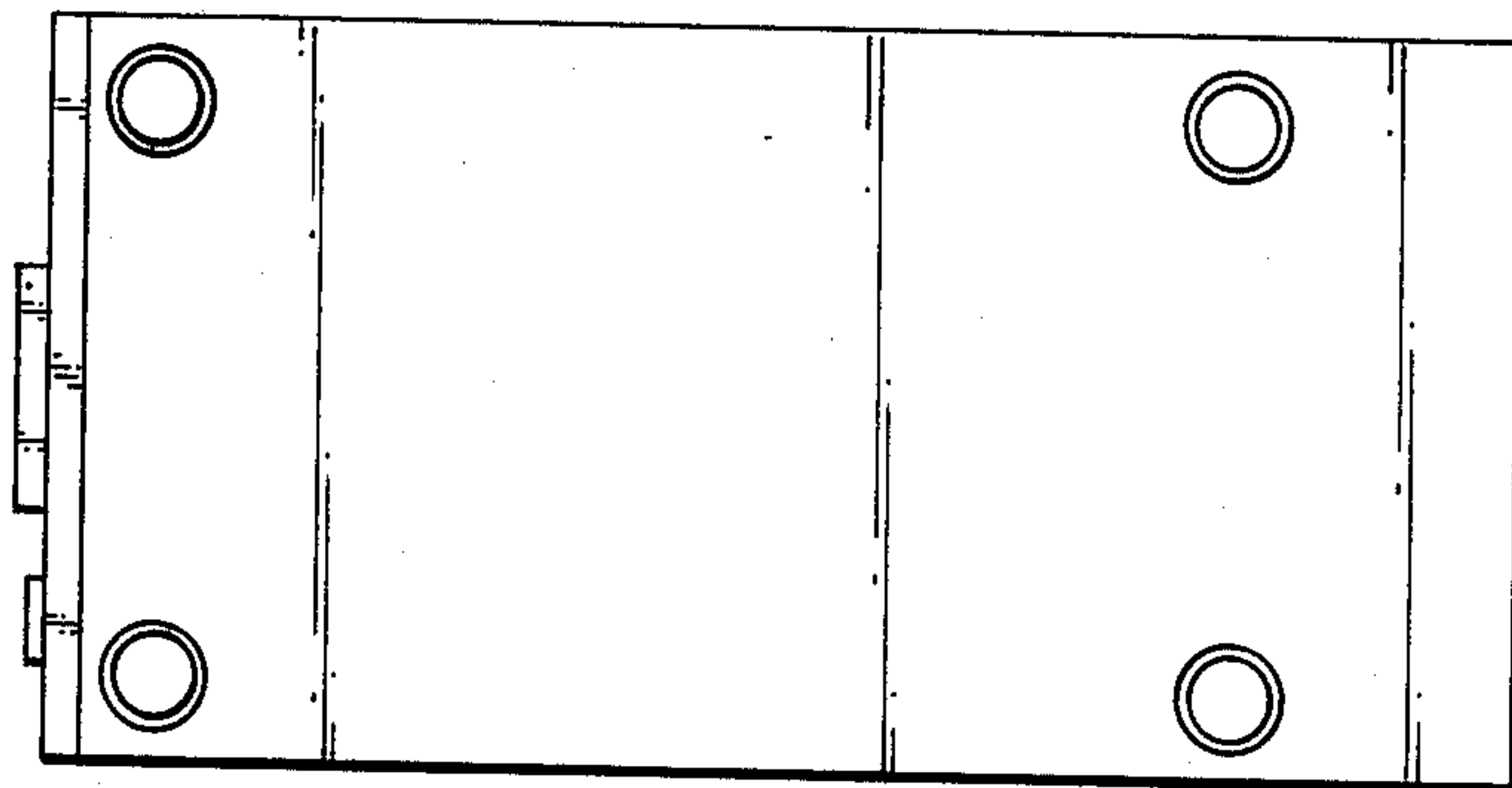
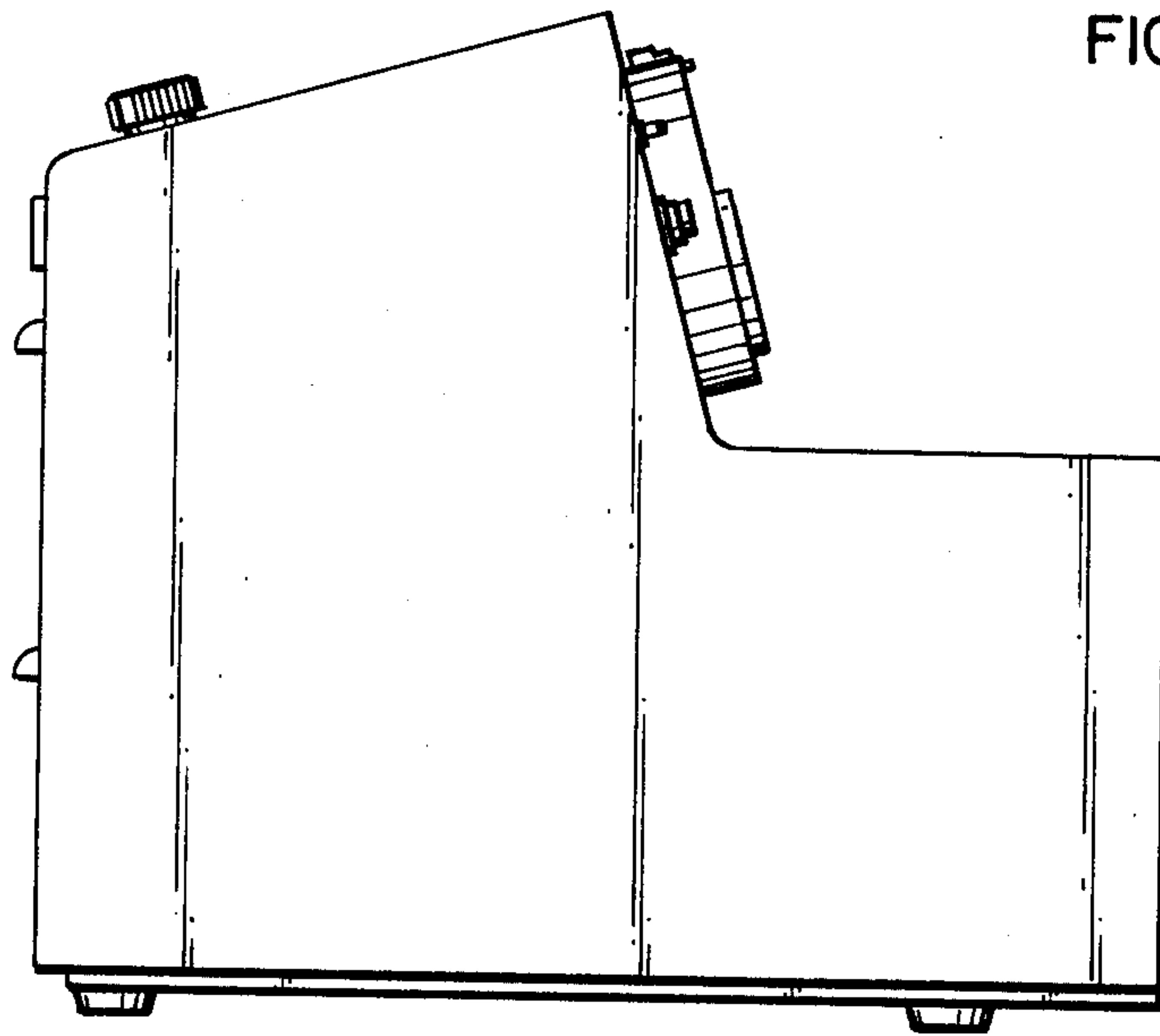


FIG. 7

FIG. 8

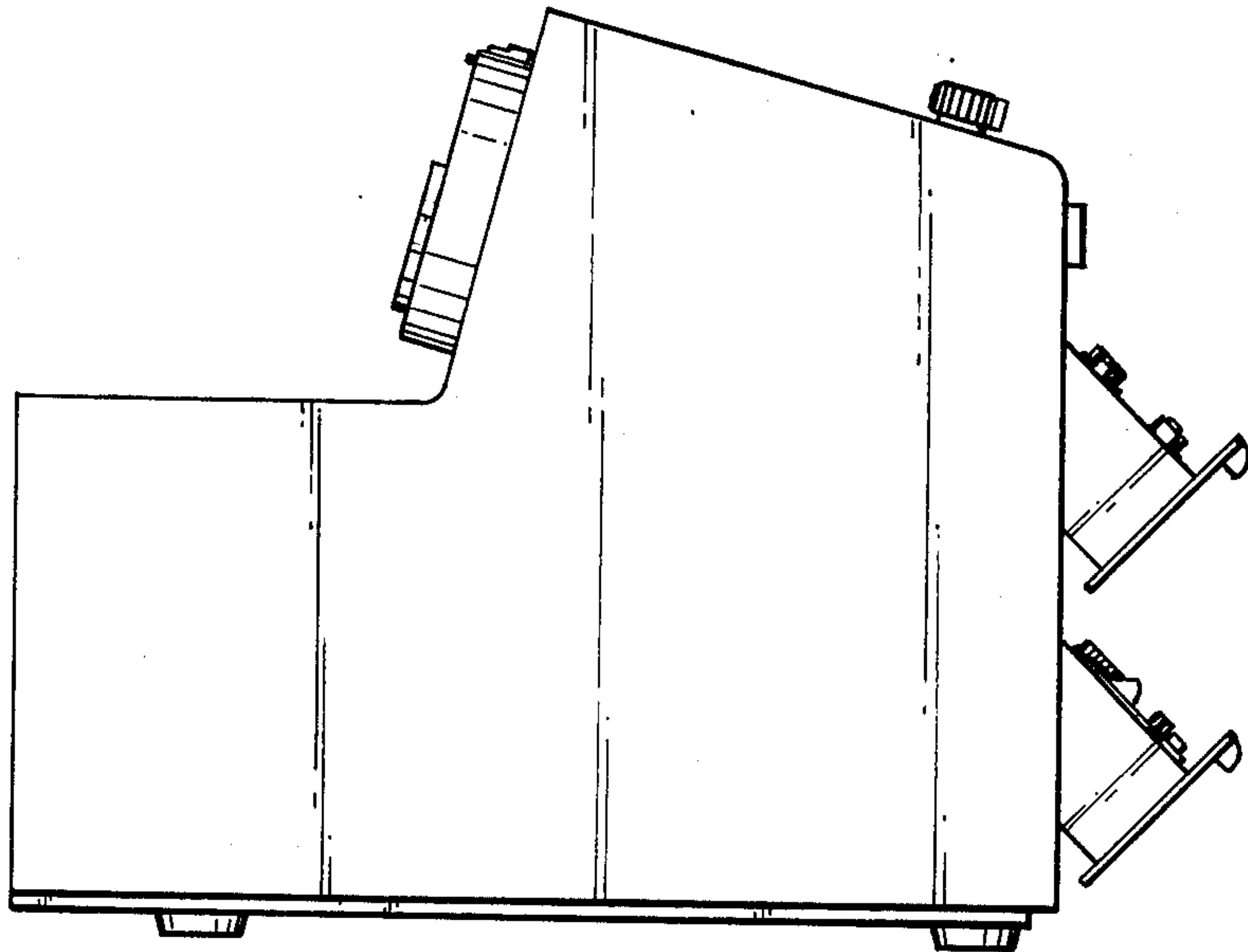
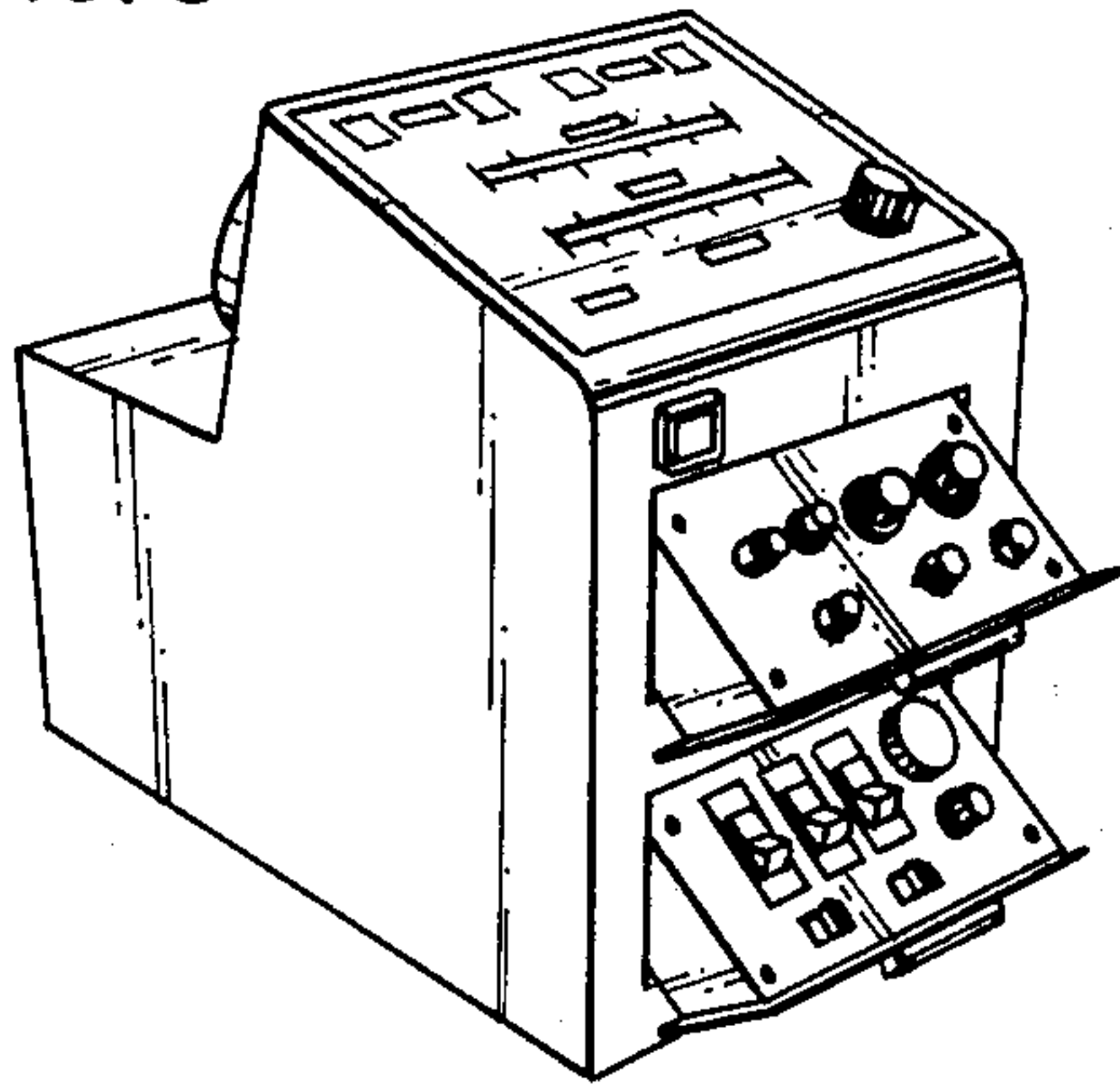


FIG. 9

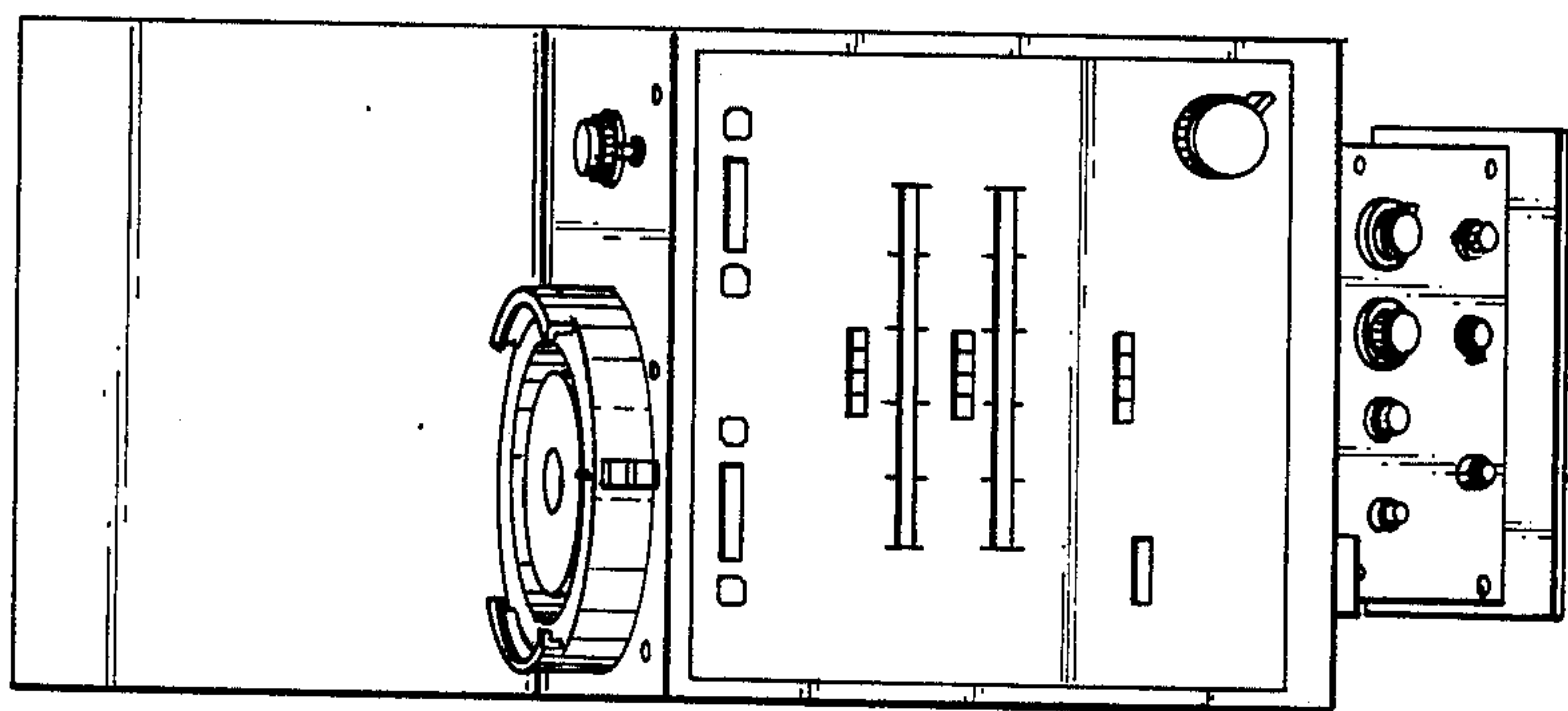


FIG. 10

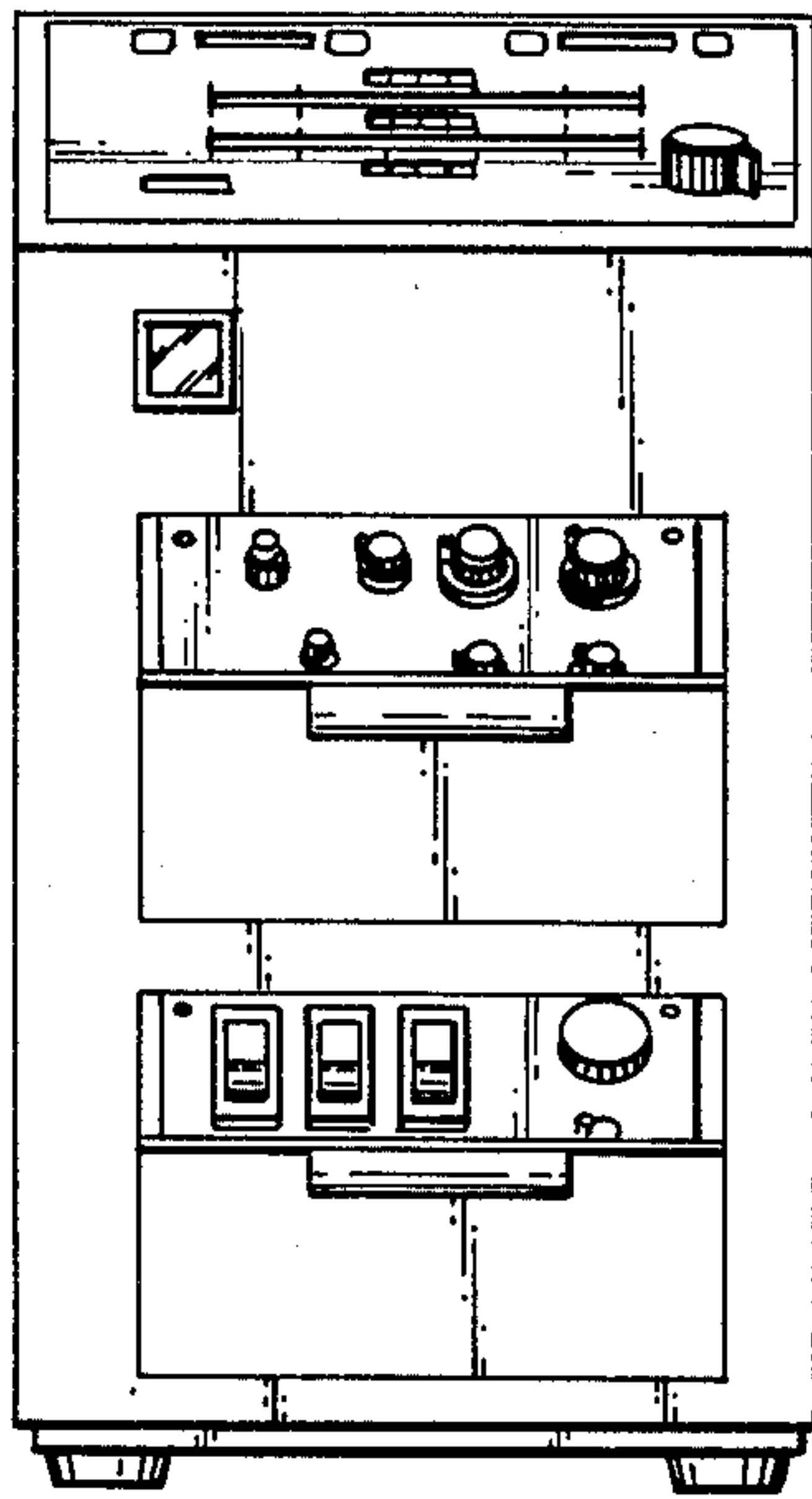


FIG. 11

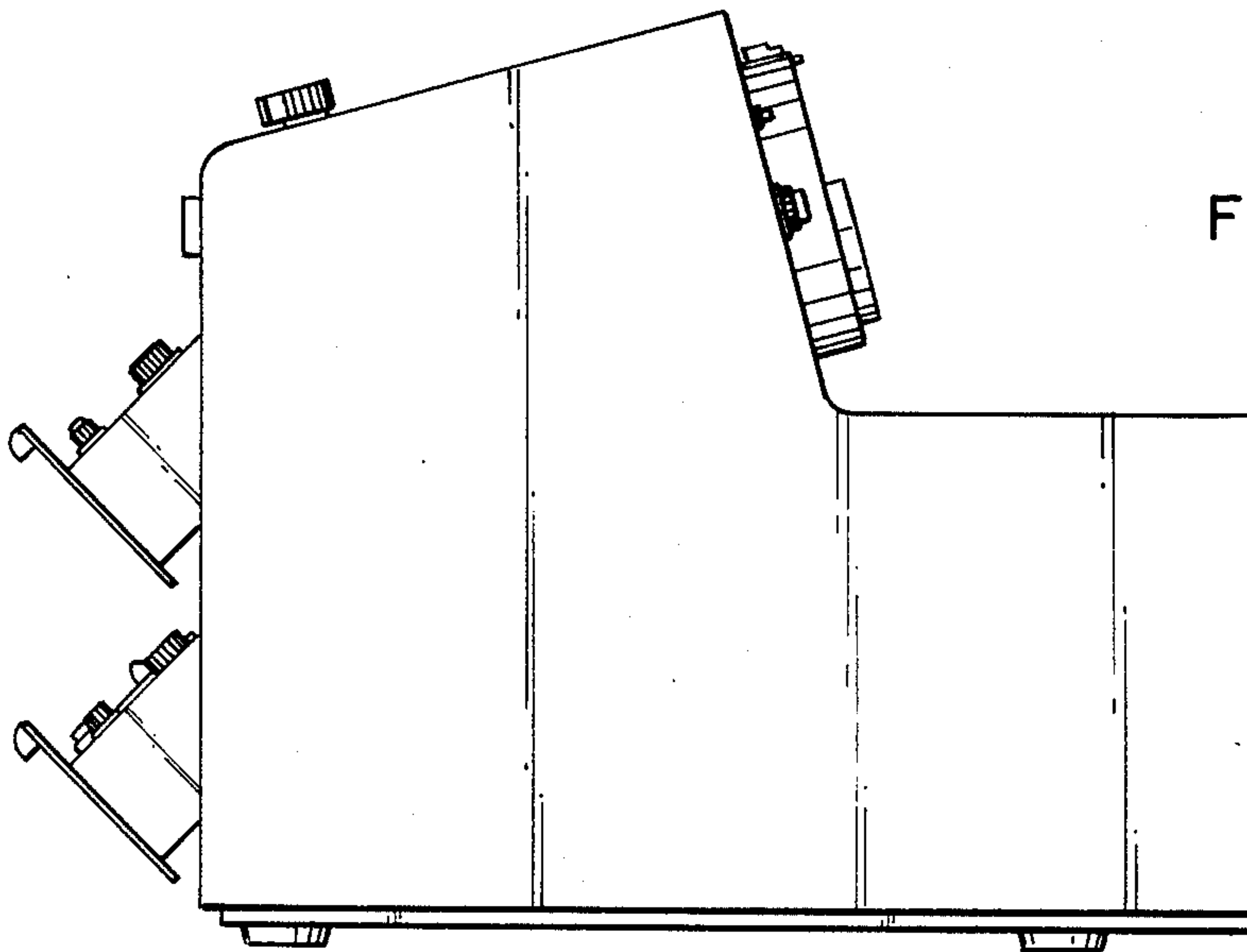


FIG. 12

FIG. 13

