

[54] CEILING FAN SUPPORT OR SIMILAR ARTICLE

[76] Inventor: Ming-An Jiang, No. 32, Lane 67, Sec. 1, Ya Tan Rd., Tan Tzu Hsiang, Taichung Hsien, Taiwan

[**] Term: 14 Years

[21] Appl. No.: 908,098

[22] Filed: Sep. 16, 1986

[30] Foreign Application Priority Data

Jul. 28, 1986 [TW] Taiwan 75303884

[52] U.S. Cl. D23/385; D23/411

[58] Field of Search D23/377, 379, 385, 386; 416/5, 204-210, 234, 244

[56] References Cited

U.S. PATENT DOCUMENTS

- D. 90,063 6/1933 Dasher D23/377
- D. 265,502 7/1982 Kearnes D23/379
- D. 285,720 9/1986 Markwardt D23/377

4,357,506 11/1982 Breining D23/377 X

Primary Examiner—B. J. Bullock

Assistant Examiner—Brian N. Vinson

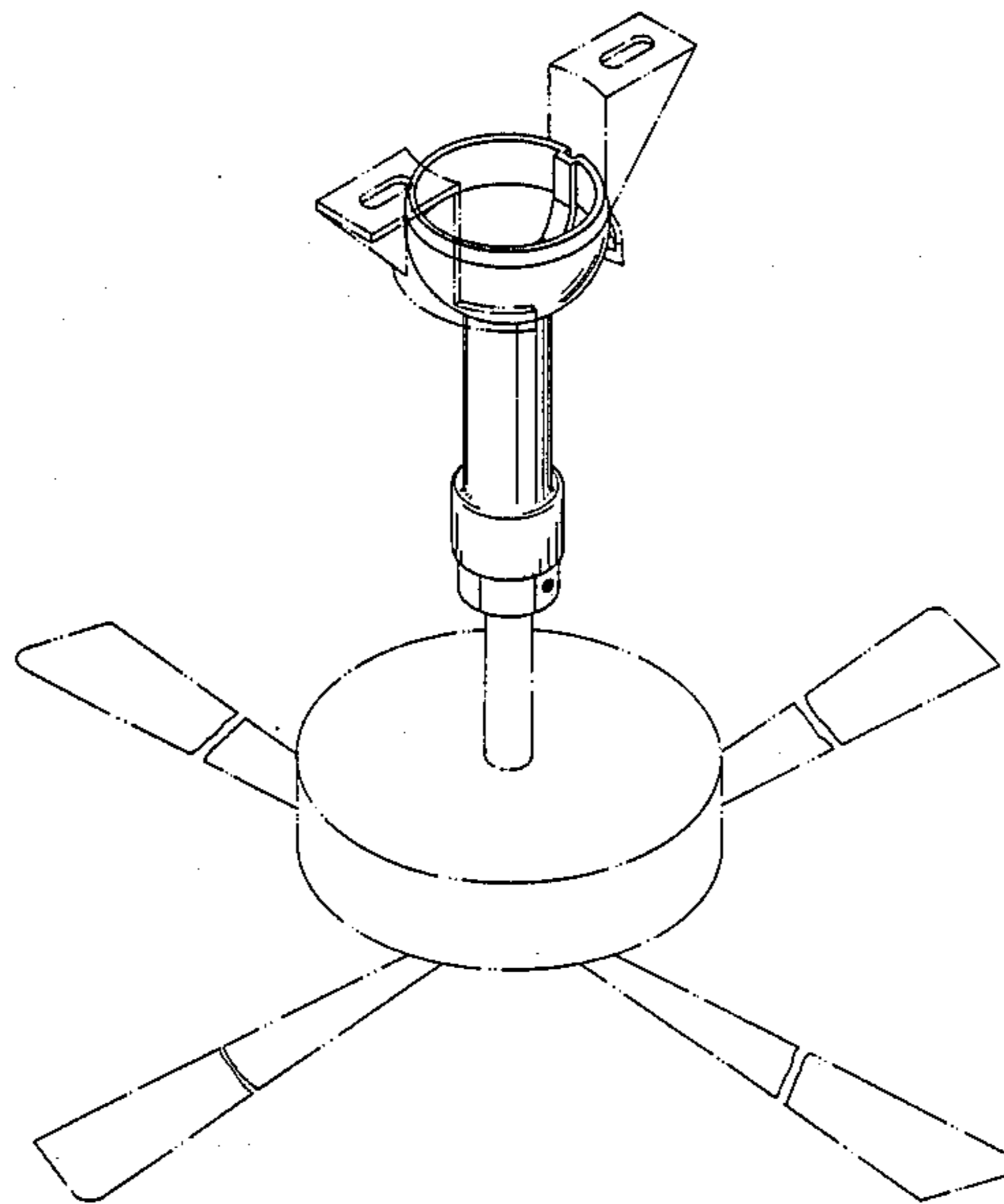
Attorney, Agent, or Firm—Lilling & Greenspan

[57] CLAIM

The ornamental design for ceiling fan support or similar article, as shown and described.

DESCRIPTION

FIG. 1 is a perspective view of ceiling fan support or similar article showing my new design;
 FIG. 2 is a rear elevational view thereof;
 FIG. 3 is a right side elevational view thereof;
 FIG. 4 is a top plan view thereof;
 FIG. 5 is a bottom plan view thereof;
 FIG. 6 is a front elevational view thereof;
 FIG. 7 is a left side elevational view thereof; and
 FIG. 8 is a reduced perspective view thereof, with the broken-line showing of the ceiling-mounted holders and fan being for illustrative purposes only and forming no part of the claimed design.



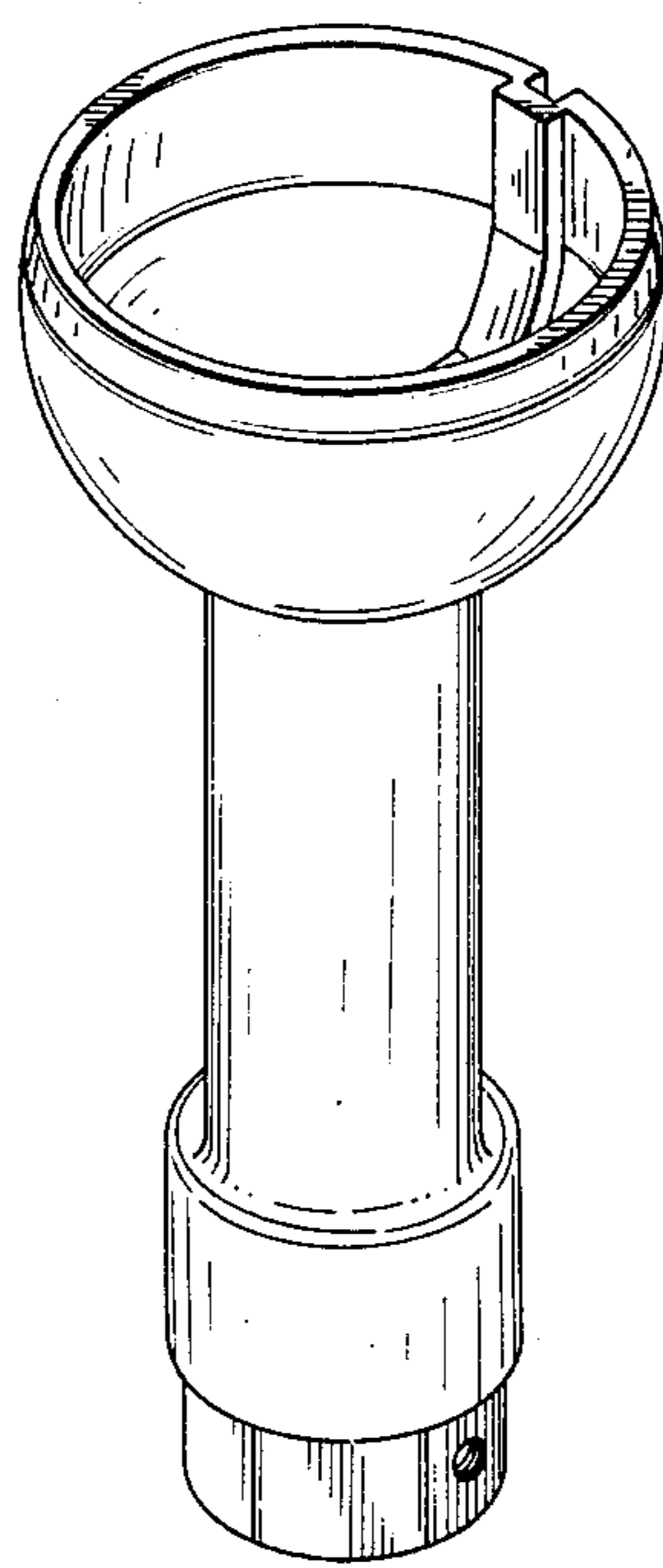


Fig. 1

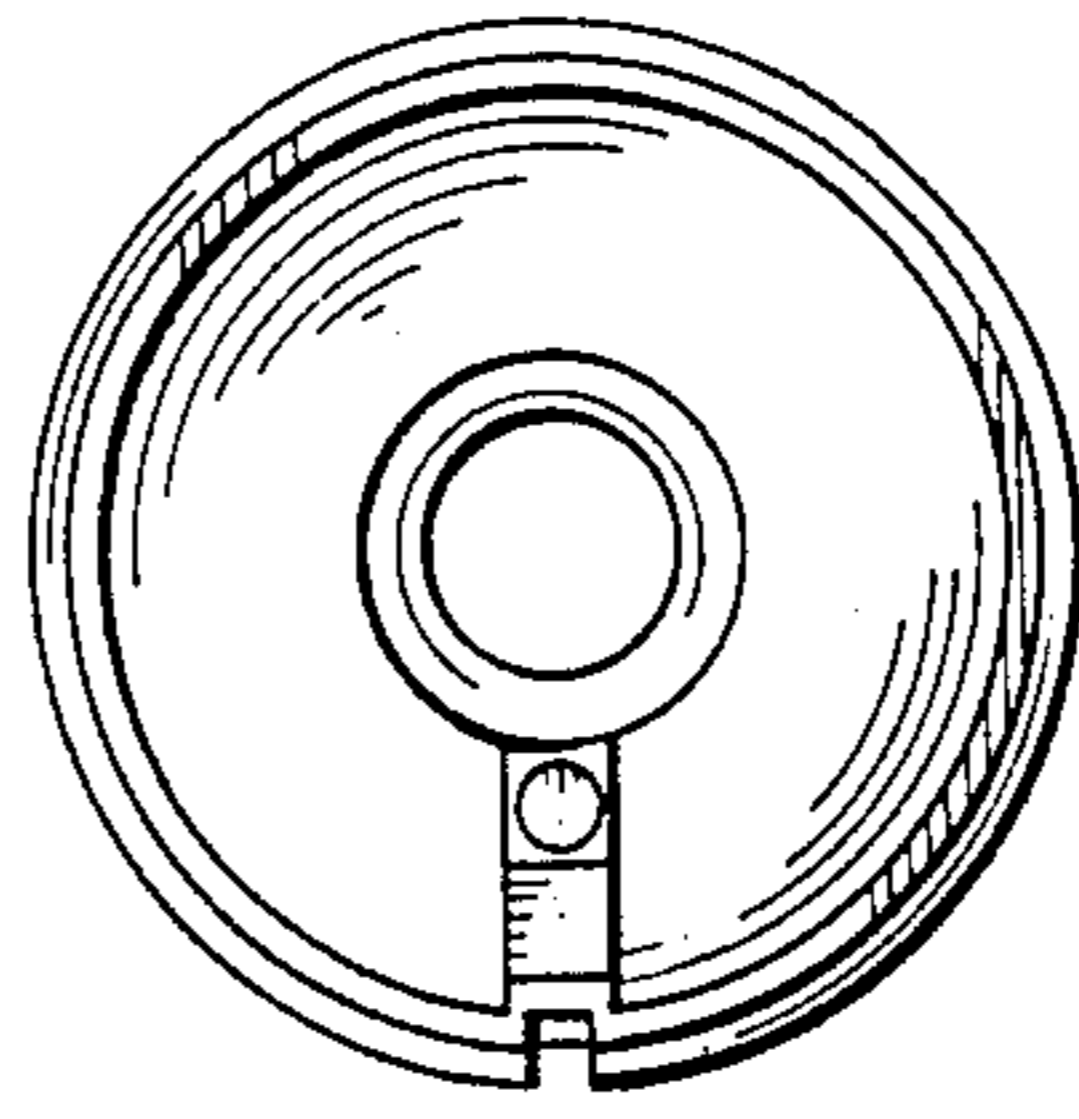


Fig. 4

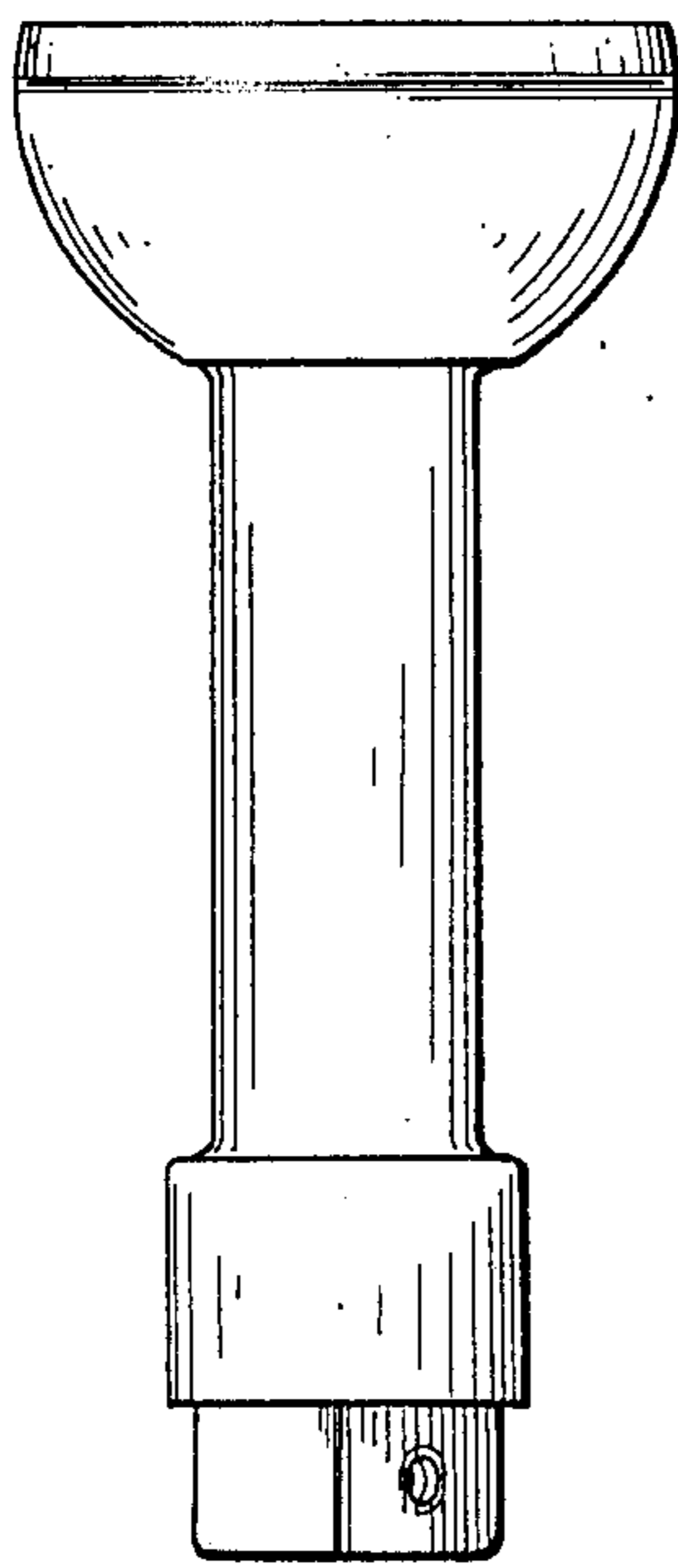


Fig. 3

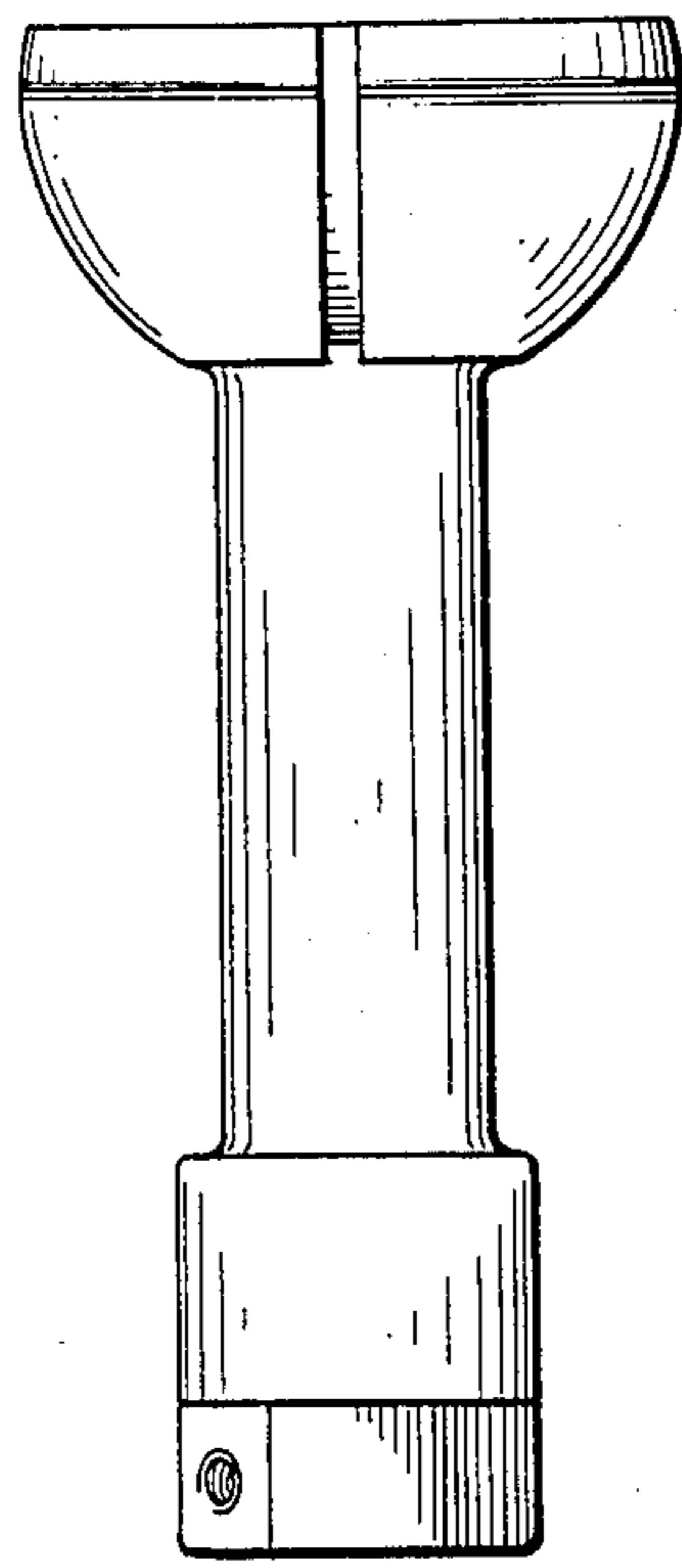


Fig. 2

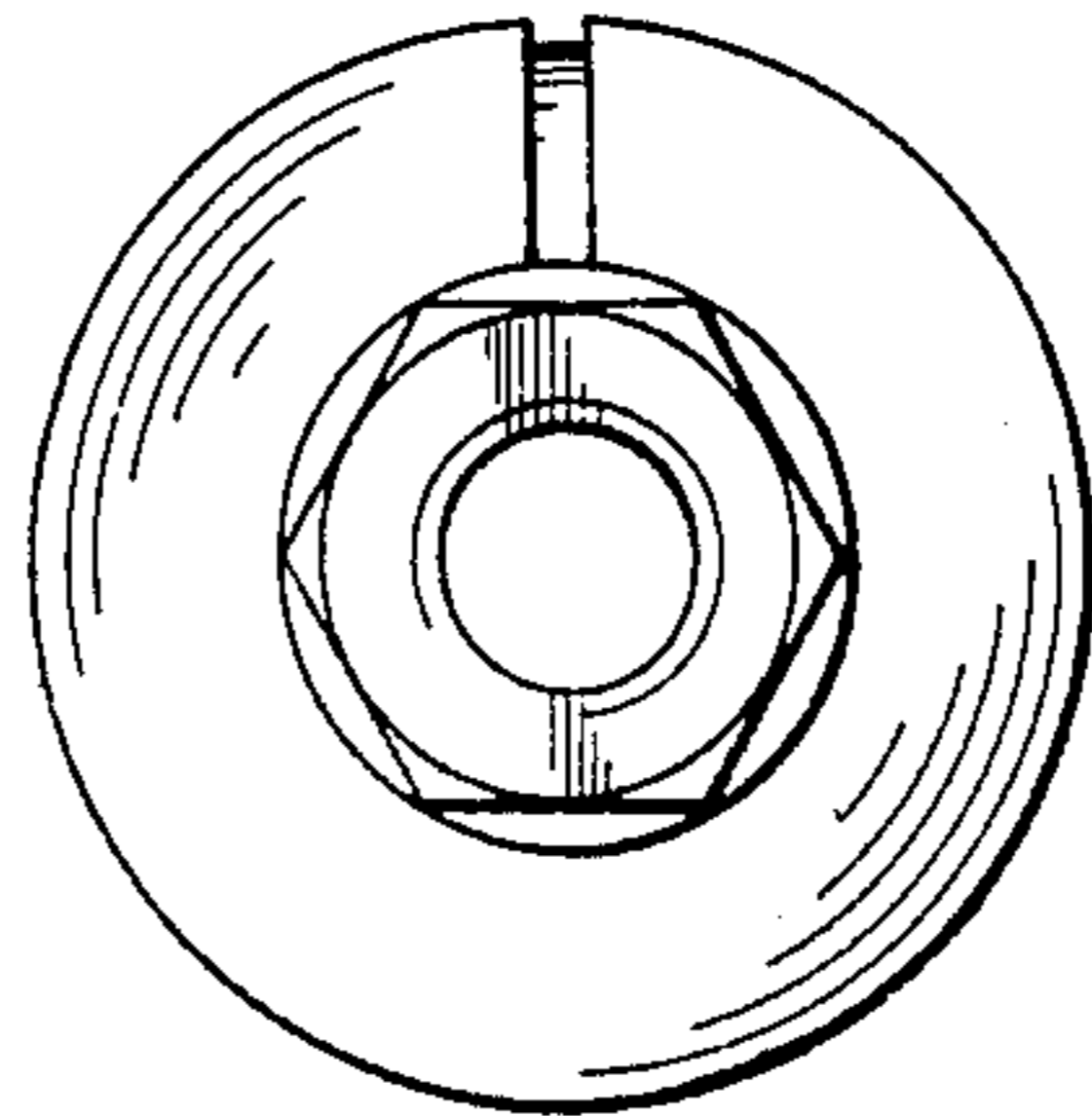


Fig. 5

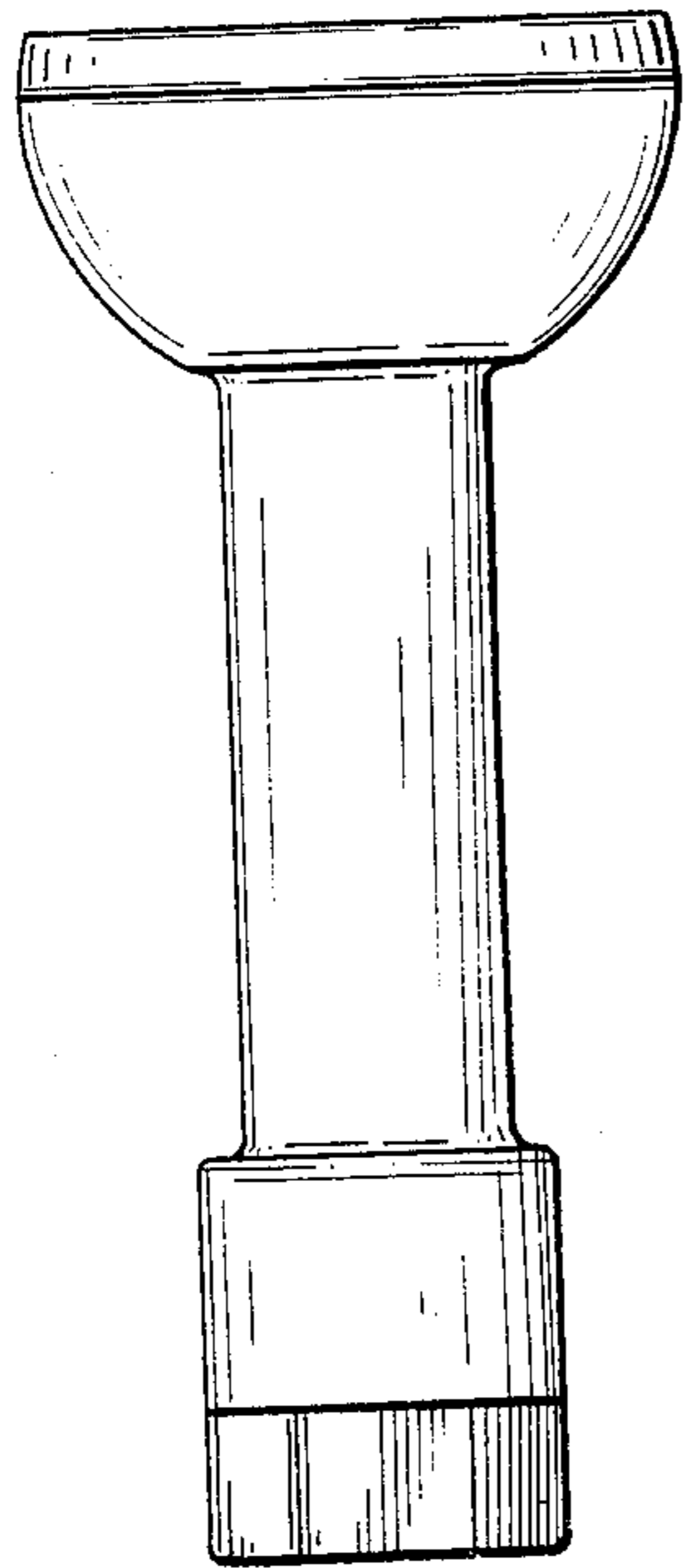


Fig. 6

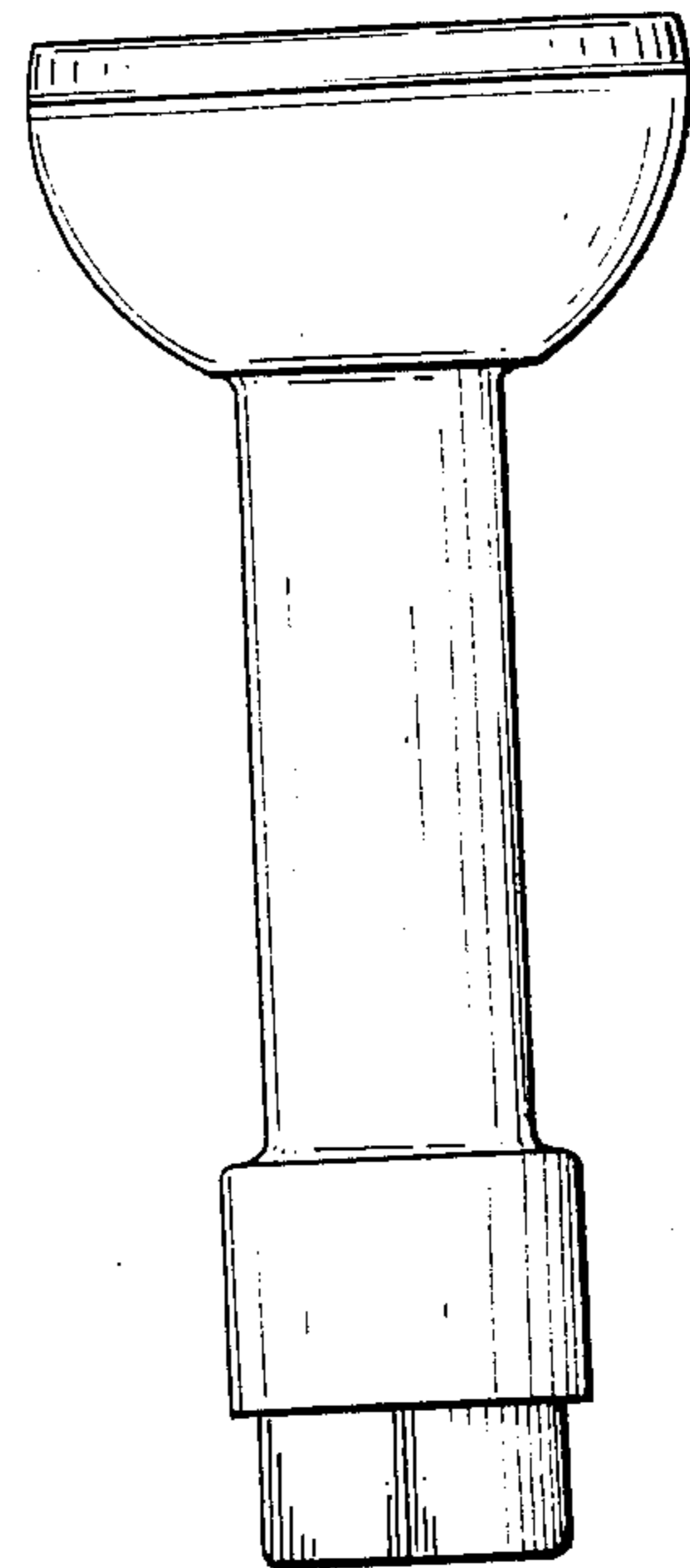


Fig. 7

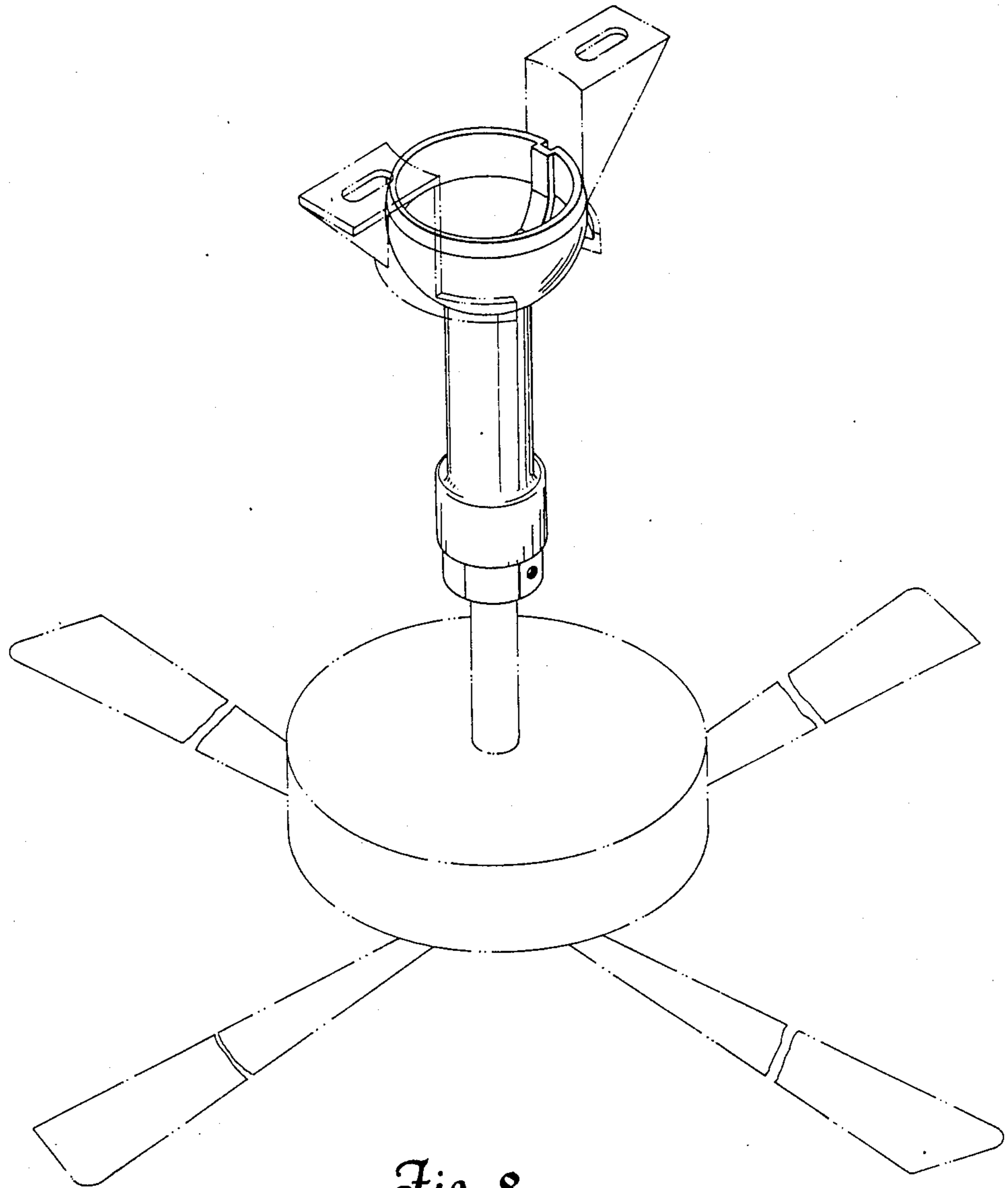


Fig. 8