

[54] **COMBINED FAN AND NIGHT LIGHT**

[75] **Inventor: Chen-Yu Chang, Taipei Hsien, Taiwan**

[73] **Assignee: Robeson Industries Corporation, Mineola, N.Y.**

[\*\*] **Term: 14 Years**

[21] **Appl. No.: 841,727**

[22] **Filed: Mar. 5, 1986**

[30] **Foreign Application Priority Data**

[TW] Taiwan .....

[52] **U.S. Cl. .... D23/370; D26/59; D26/94**

[58] **Field of Search .... D23/370, 378, 381; D21/150; 415/121 G, 126, 216-217; 416/63, 170 R, 204 R, 247 R, 244 R; D26/59, 94**

[56] **References Cited**

**U.S. PATENT DOCUMENTS**

- D. 276,551 11/1984 Morooka ..... D23/381
- D. 281,352 11/1985 Chang ..... D23/370
- D. 293,347 12/1987 Murasaki ..... D21/150

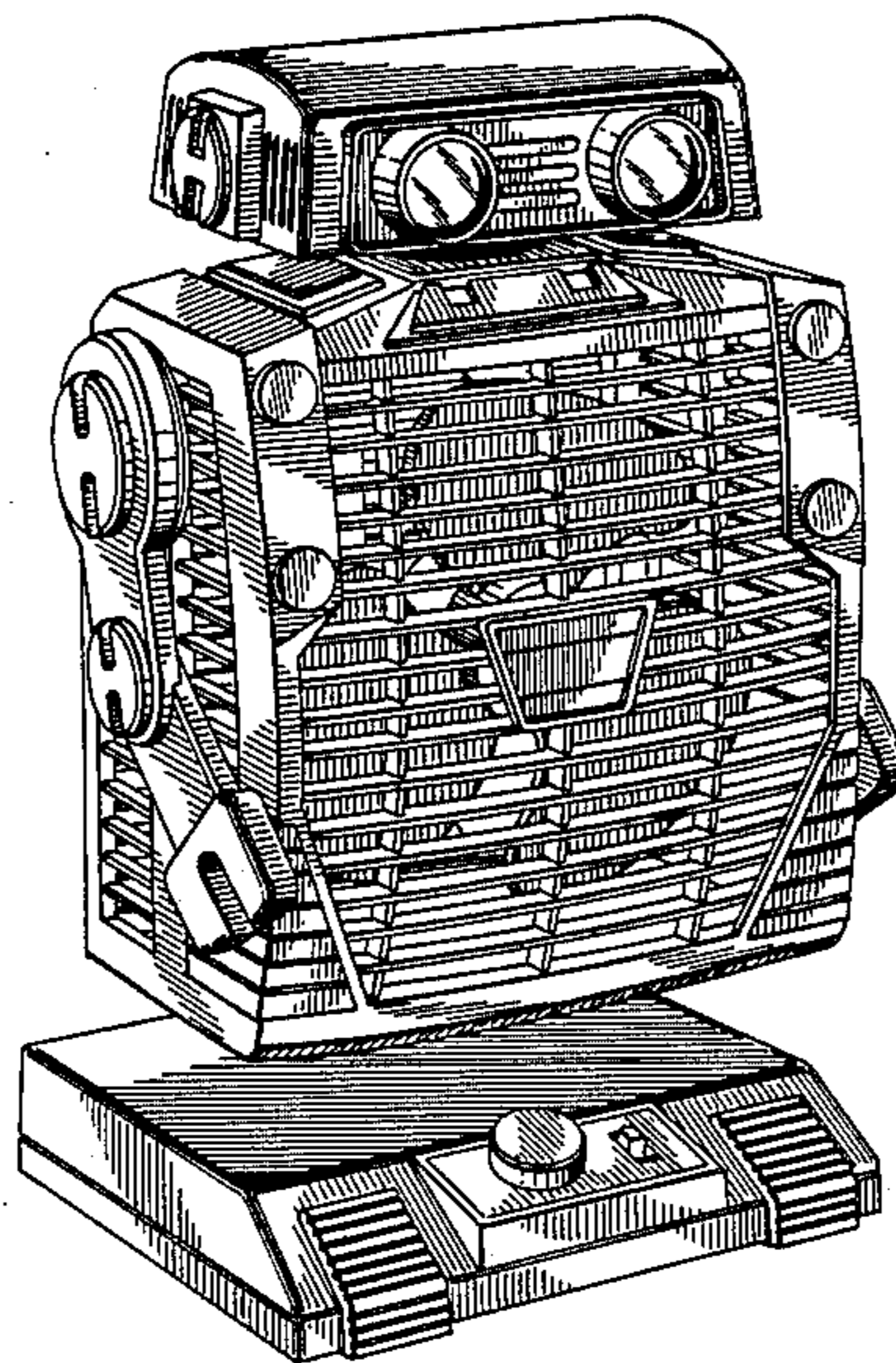
*Primary Examiner*—Wallace R. Burke  
*Assistant Examiner*—Brian N. Vinson  
*Attorney, Agent, or Firm*—Oblon, Fisher, Spivak, McClelland & Maier

[57] **CLAIM**

The ornamental design for a combined fan and night light, as shown and described.

**DESCRIPTION**

FIG. 1 is a front perspective view of a combined fan and night light showing my new design;  
FIG. 2 is a front elevational view thereof;  
FIG. 3 is a right side elevational view thereof the left side being a mirror image;  
FIG. 4 is a top plan view thereof; and  
FIG. 5 is a rear elevational view thereof.



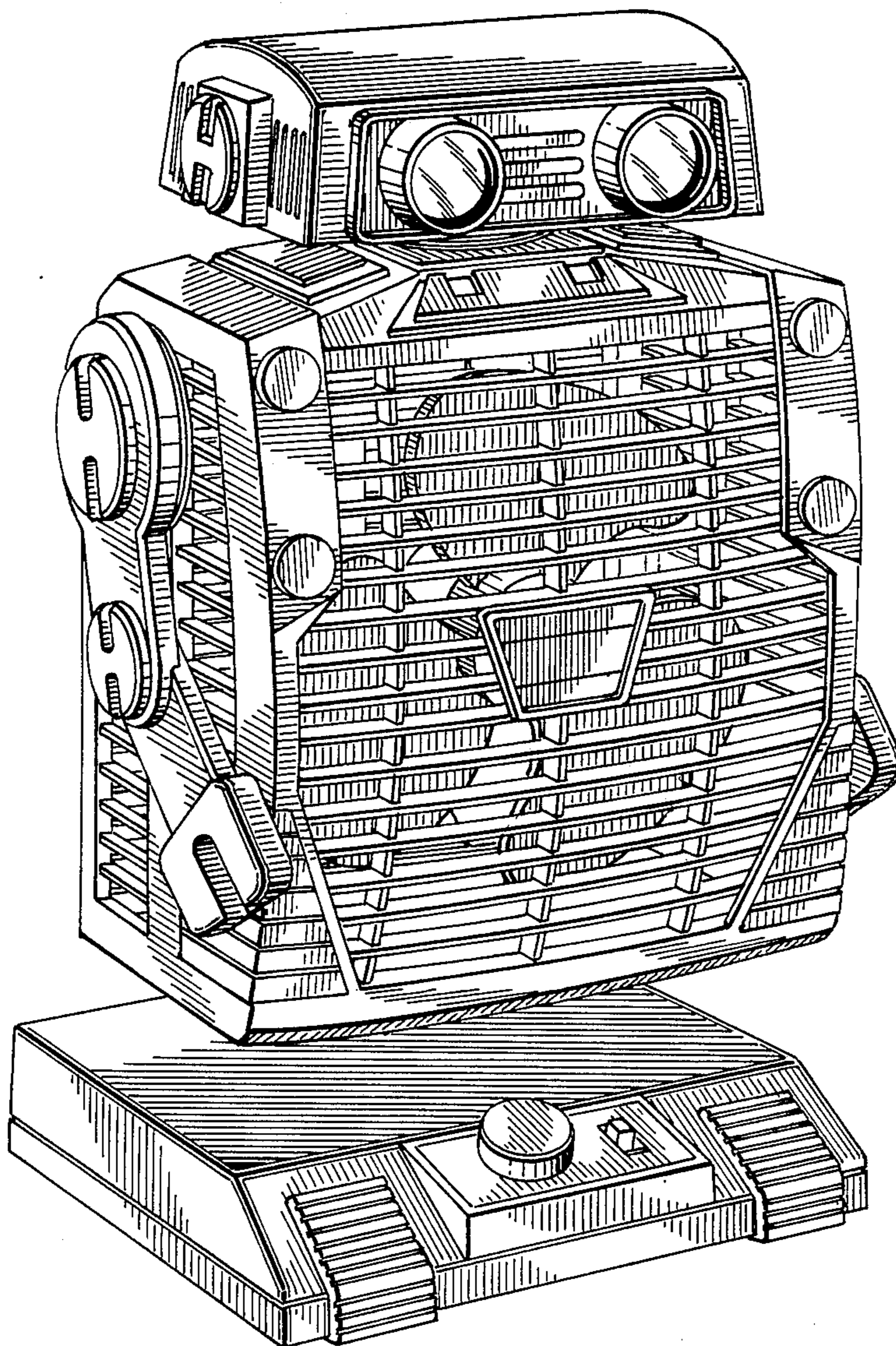


FIG. 1

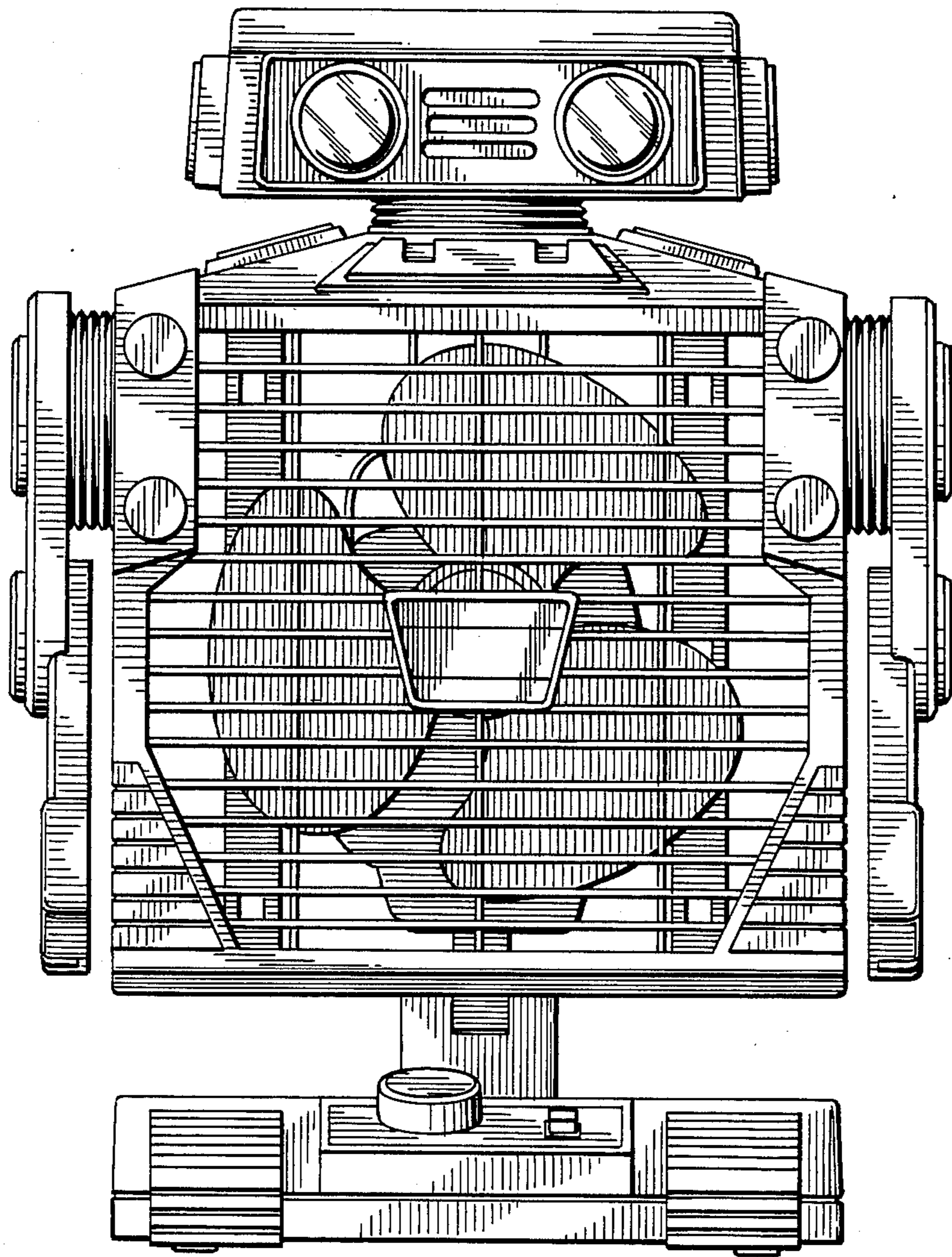


FIG. 2

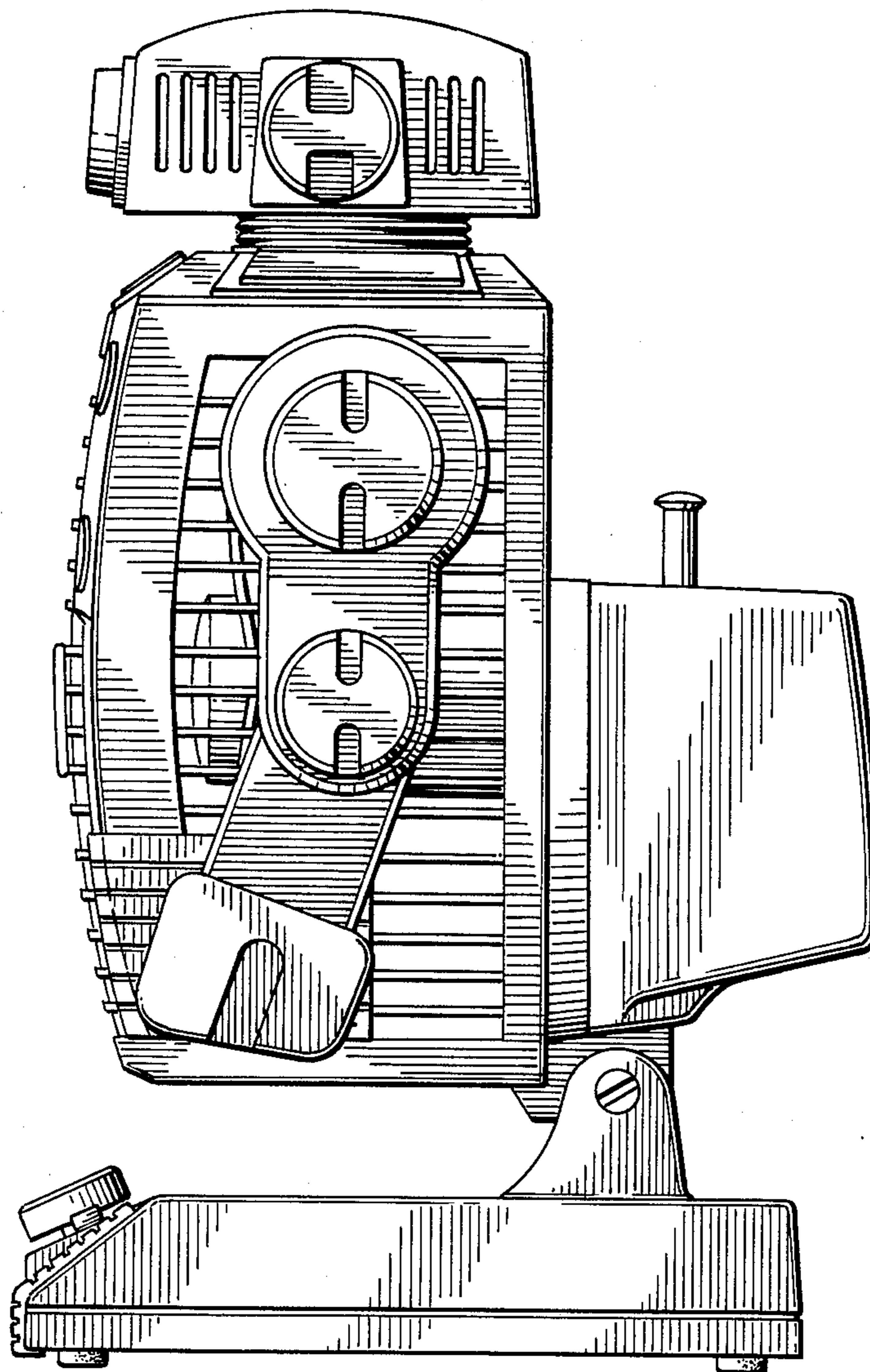
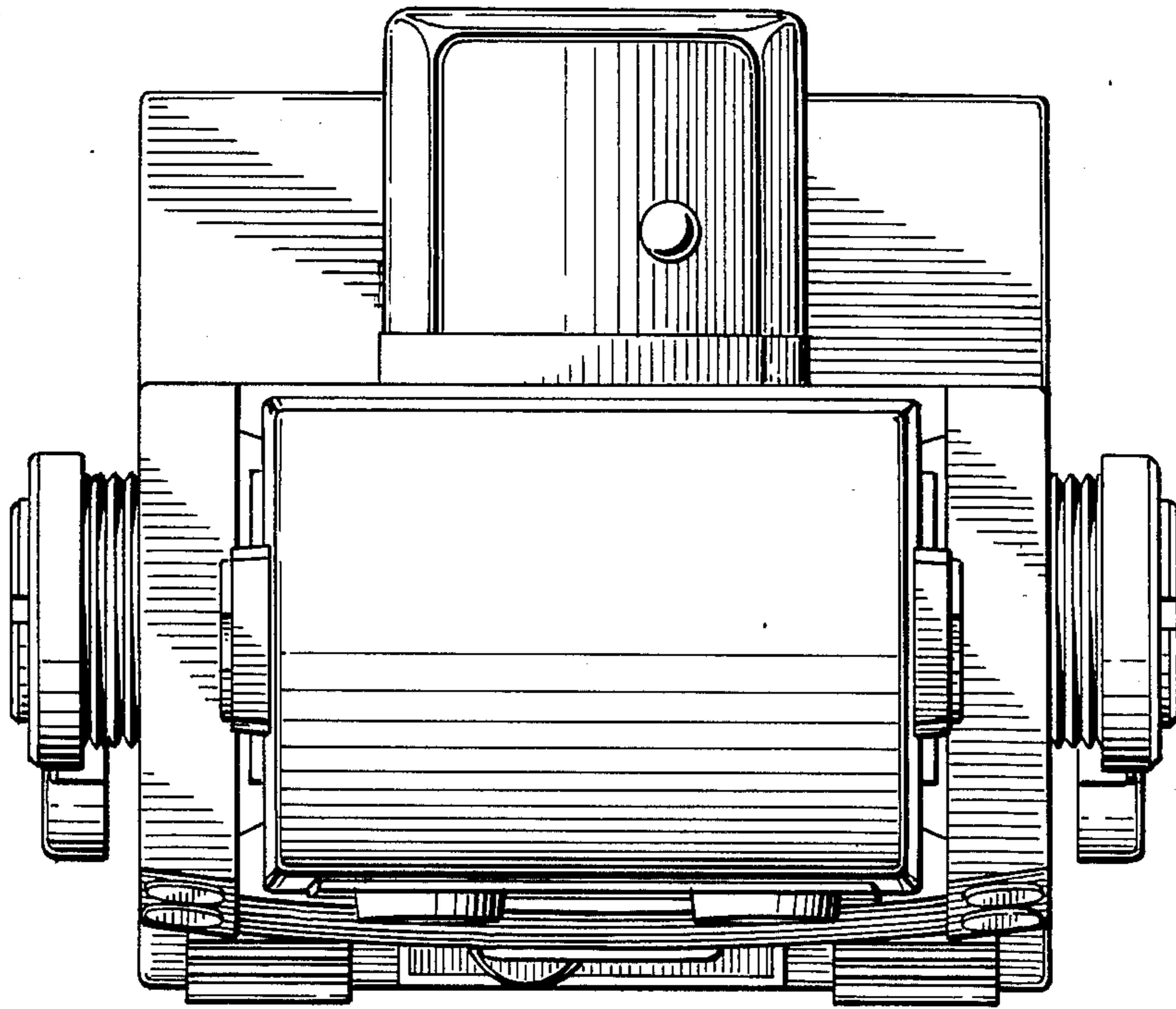


FIG. 3



*FIG. 4*

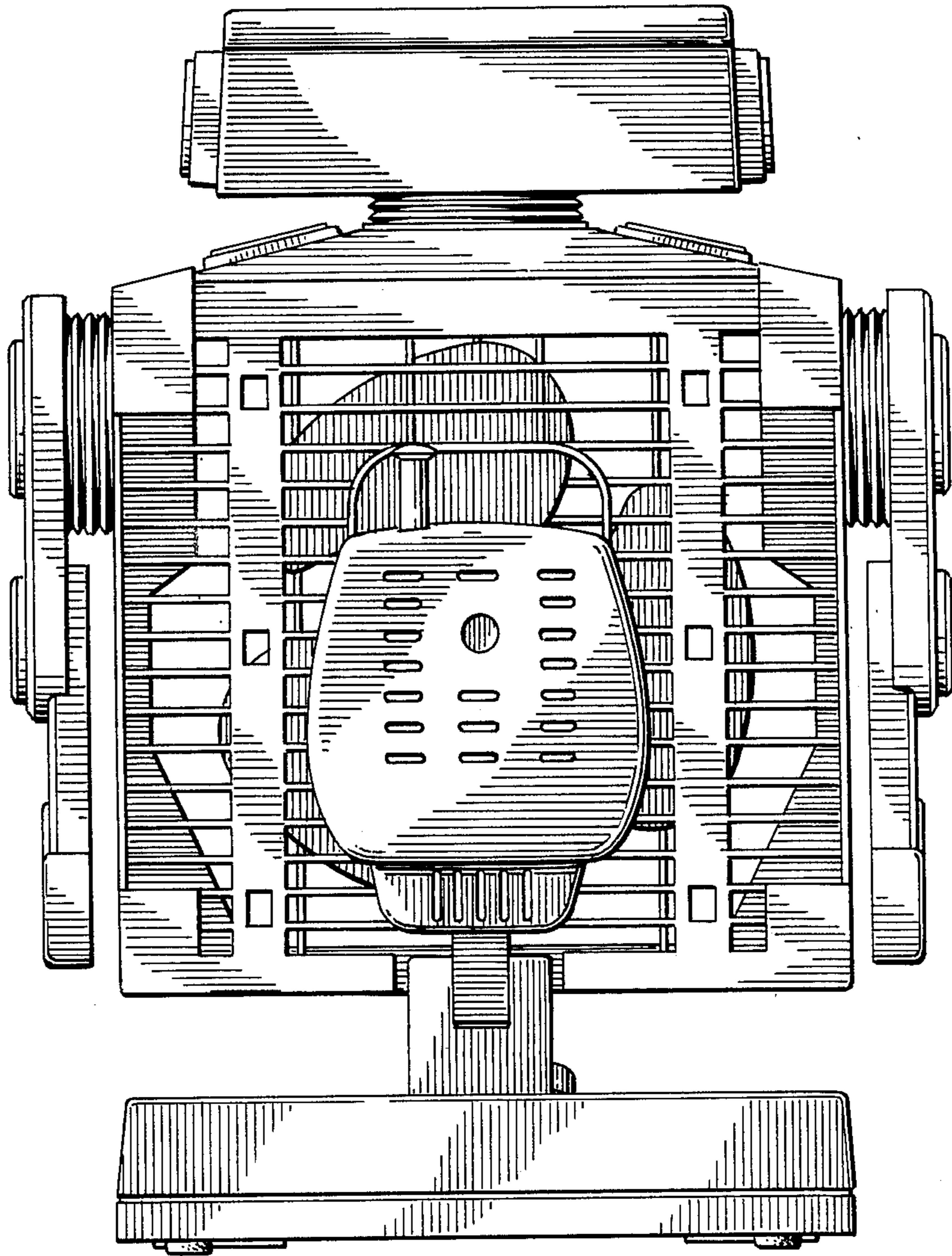


FIG. 5