

[54] RIFLE CARTRIDGE MAGAZINE

4,580,364 4/1986 Vyprachticky 42/50

[75] Inventor: Emil Vyprachticky, Arvada, Colo.

Primary Examiner—Wallace R. Burke

[73] Assignee: Dale E. Dieringer, Arvada, Colo. ; a part interest

Assistant Examiner—Ruth Takemoto

Attorney, Agent, or Firm—Edwin L. Spangler, Jr.

[**] Term: 14 Years

[57] CLAIM

[21] Appl. No.: 643,800

The ornamental design for a rifle cartridge magazine, substantially as shown.

[22] Filed: Aug. 24, 1984

DESCRIPTION

[52] U.S. Cl. D22/108

[58] Field of Search D22/108; 42/6, 49 R, 42/50

FIG. 1 is a left side elevation of a rifle cartridge magazine showing my new design;

FIG. 2 is a right side elevation thereof;

FIG. 3 is a front elevation thereof;

FIG. 4 is a rear elevation thereof;

FIG. 5 is a top plan view thereof; and,

FIG. 6 is a bottom plan view thereof.

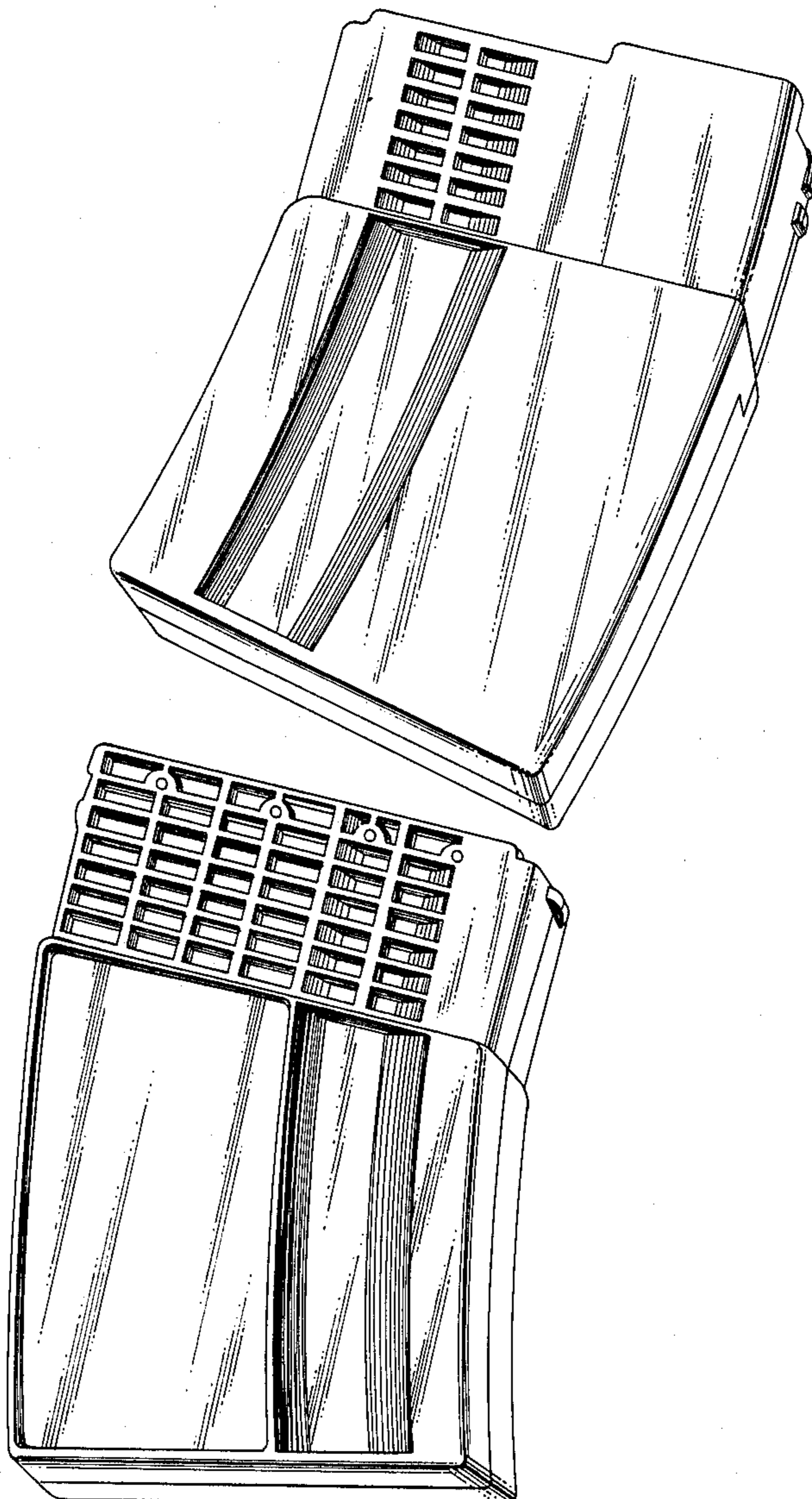
FIG. 7 is a left side perspective view thereof; and

FIG. 8 is a right side perspective view thereof.

[56] References Cited

U.S. PATENT DOCUMENTS

4,027,415	6/1977	Stoner	42/50
4,139,959	2/1979	Howard et al.	42/50
4,408,409	10/1983	Arias	42/50



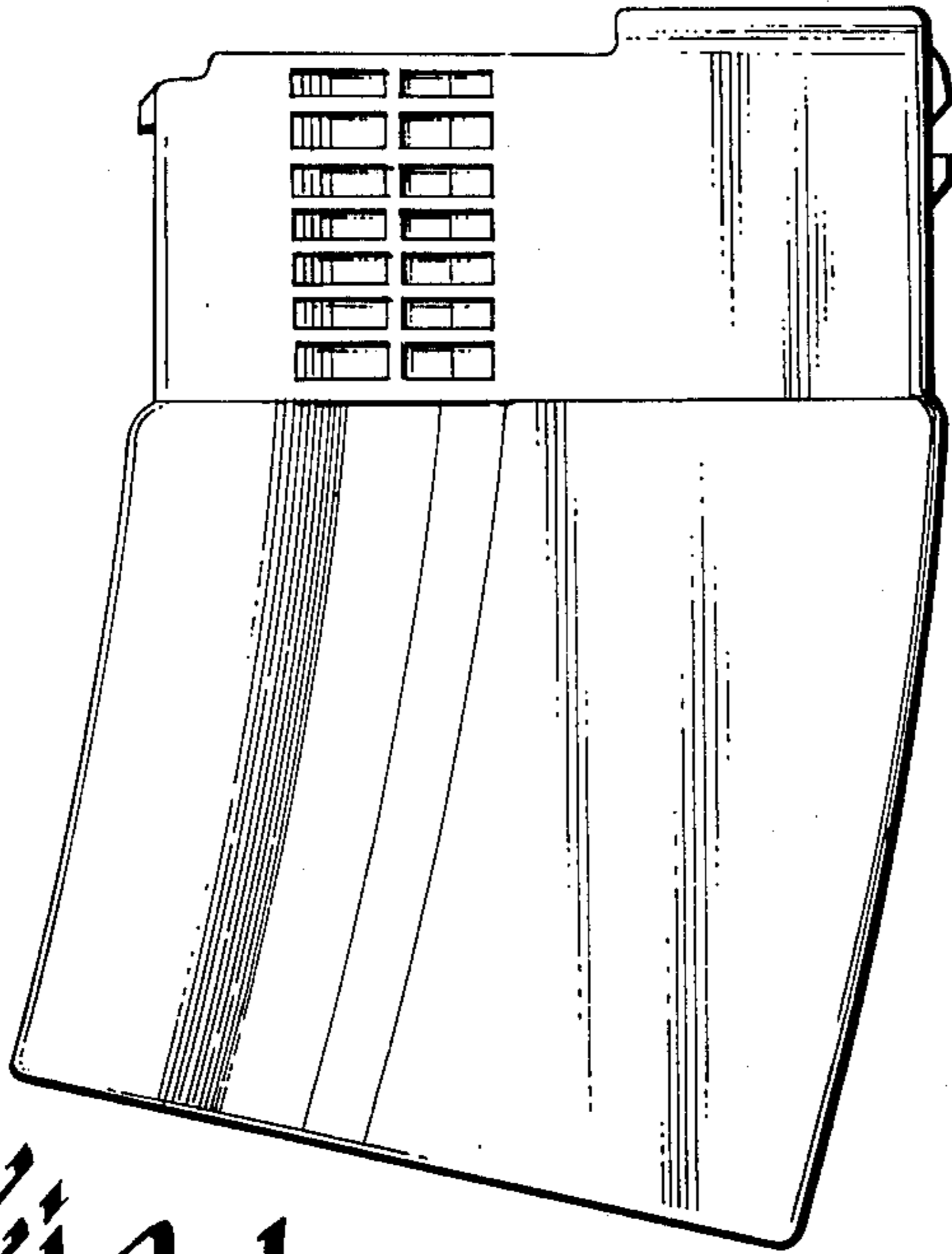


Fig. 1

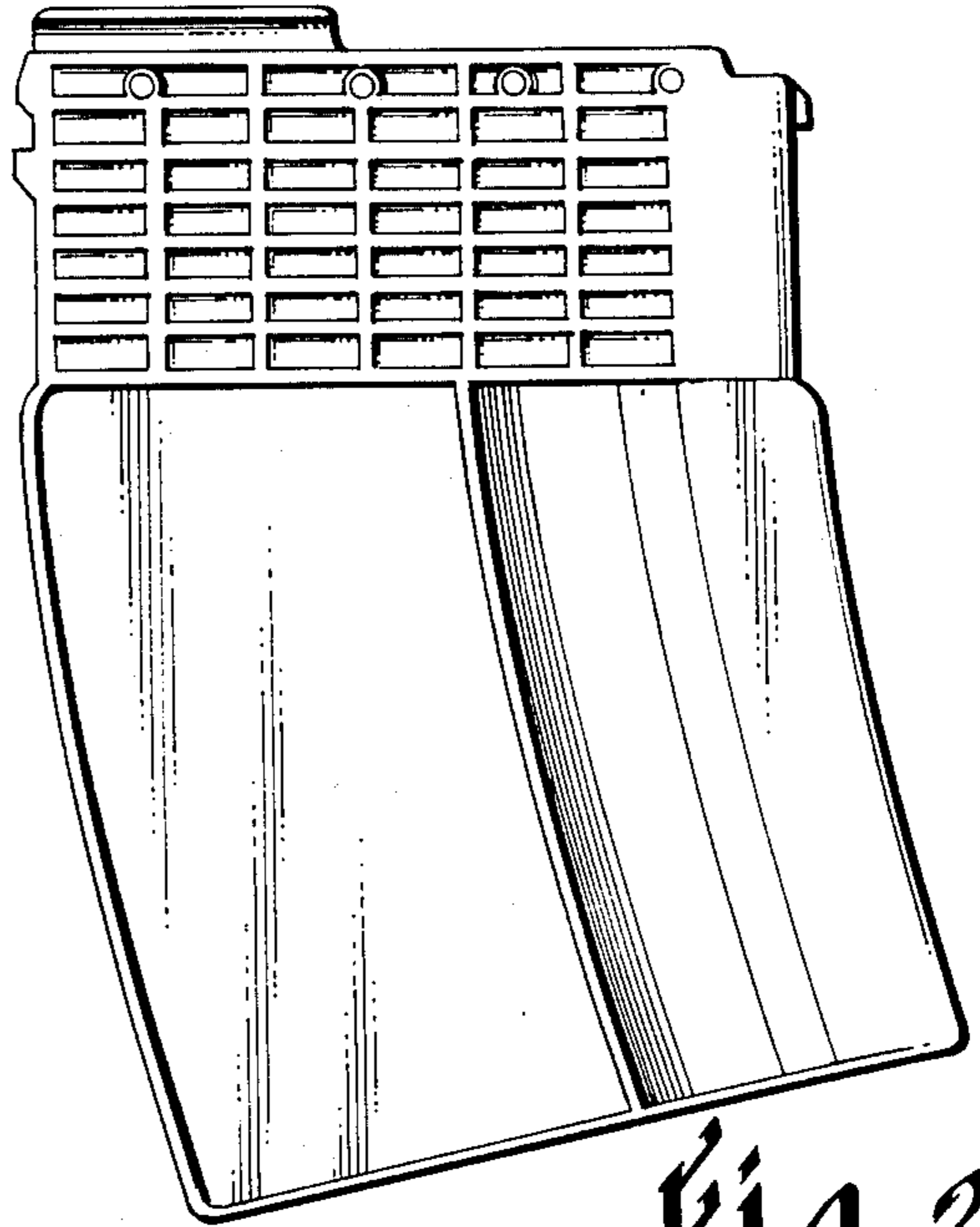


Fig. 2

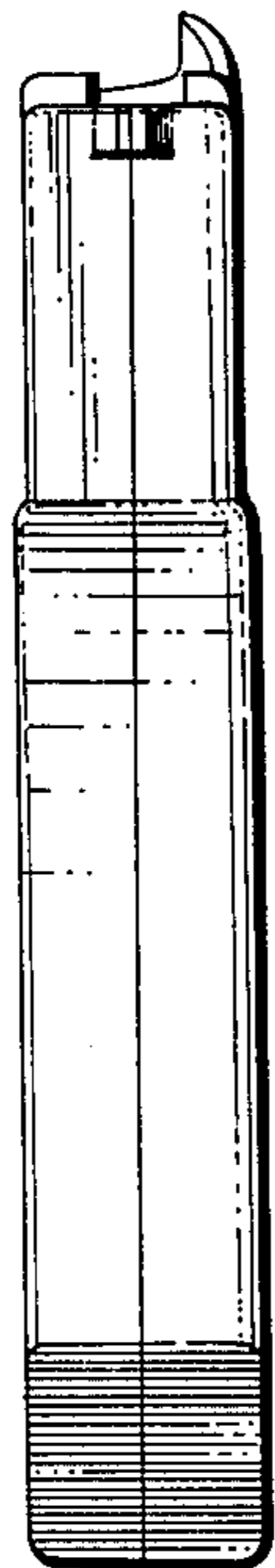


Fig. 3

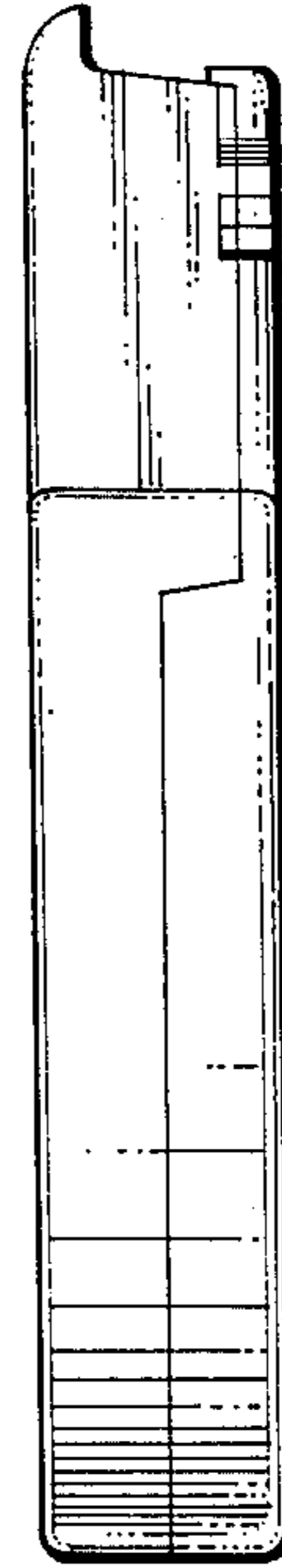


Fig. 4

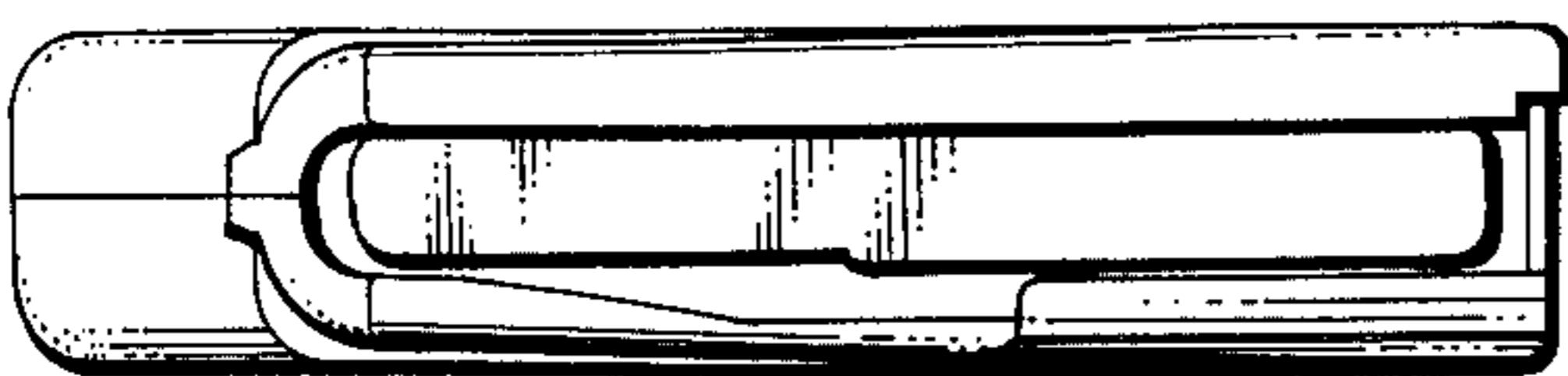


Fig. 5

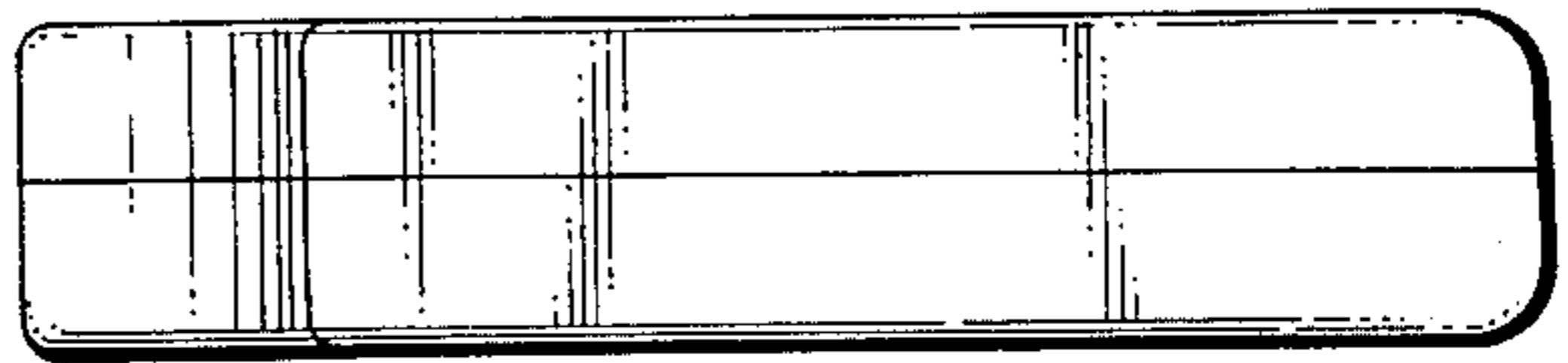


Fig. 6

Fig. 7

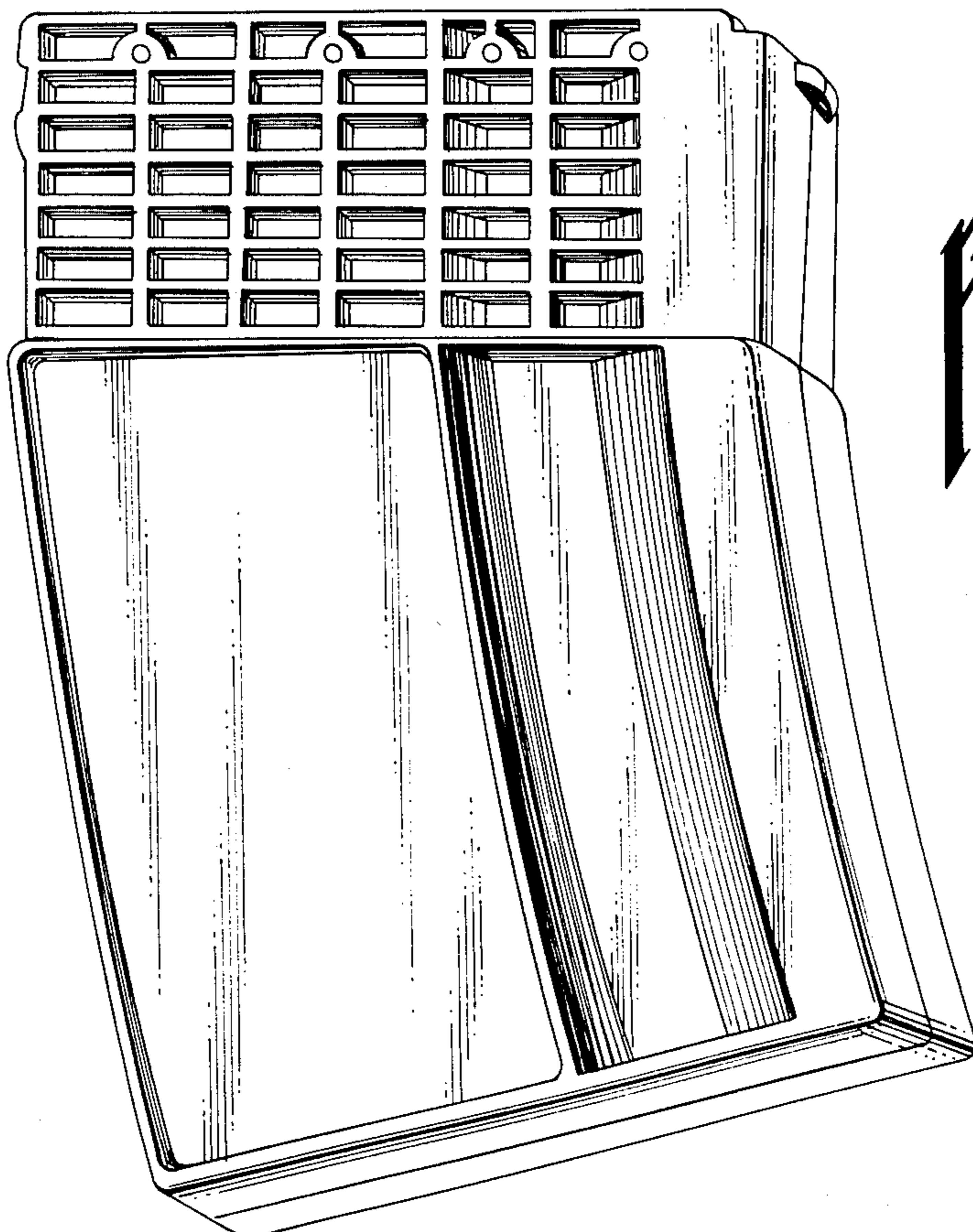
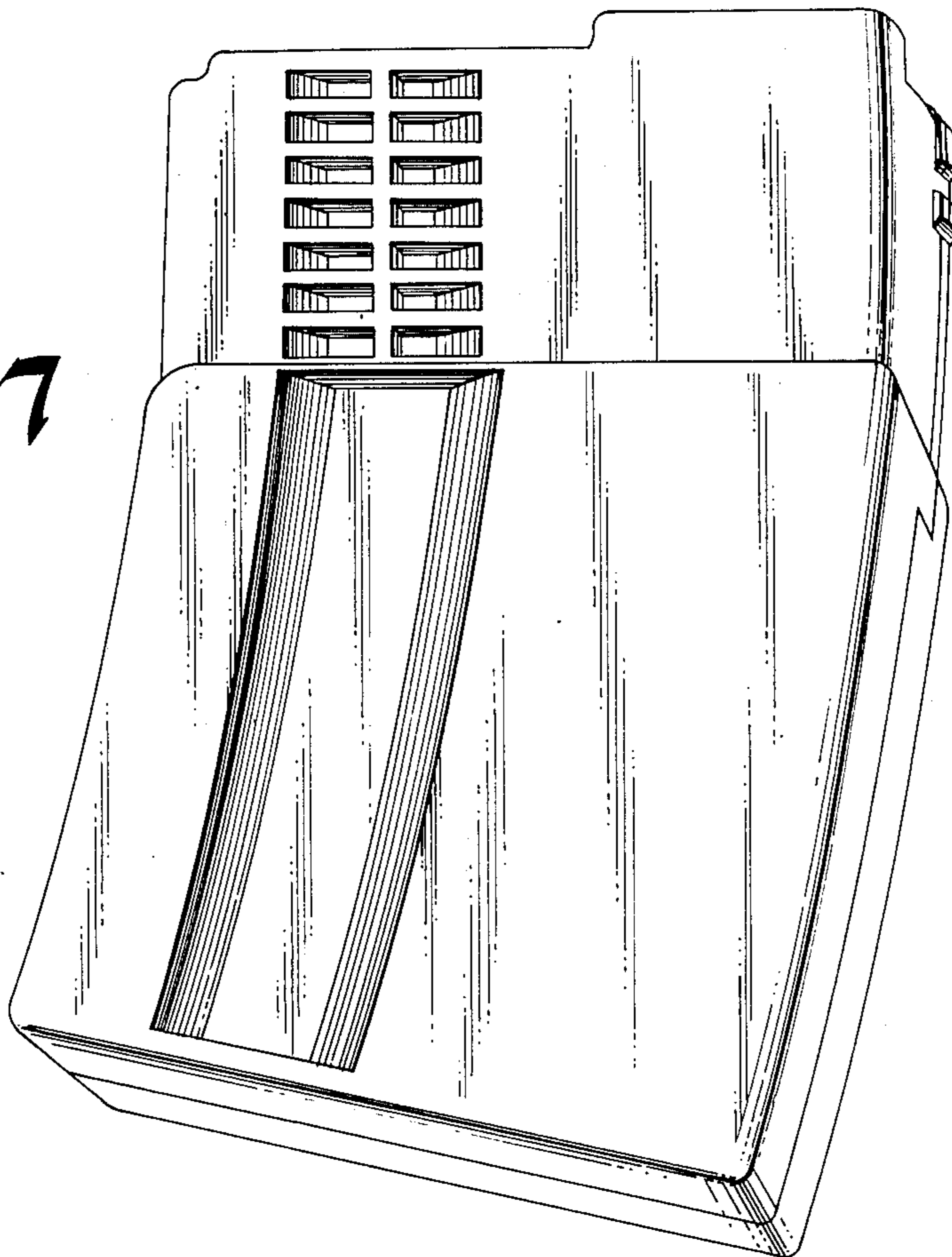


Fig. 8