

[54] **ROWING MACHINE**
[75] **Inventor: Sven Ostrom, Varberg, Sweden**
[73] **Assignee: Monark AB, Sweden**
[**] **Term: 14 Years**
[21] **Appl. No.: 789,485**
[22] **Filed: Oct. 21, 1985**
[30] **Foreign Application Priority Data**
Sep. 12, 1985 [SE] Sweden 85-2142
[52] **U.S. Cl. D21/195**
[58] **Field of Search D21/191-199;**
272/72, 143, 144, 145, 134

[56] **References Cited**

U.S. PATENT DOCUMENTS

D. 268,194 3/1983 Smith D21/195
D. 268,278 3/1983 Smith D21/195
D. 285,472 9/1986 Gremonprez D21/195
D. 286,311 10/1986 Martinell et al. D21/195

D. 287,388 12/1986 Cheng D21/195

OTHER PUBLICATIONS

Amerrec Flier, 2-1982, Rowing Machine Model #610.
Schoner Wohnen, 11-1984, p. 110, Item #2, Rowing
Machine.

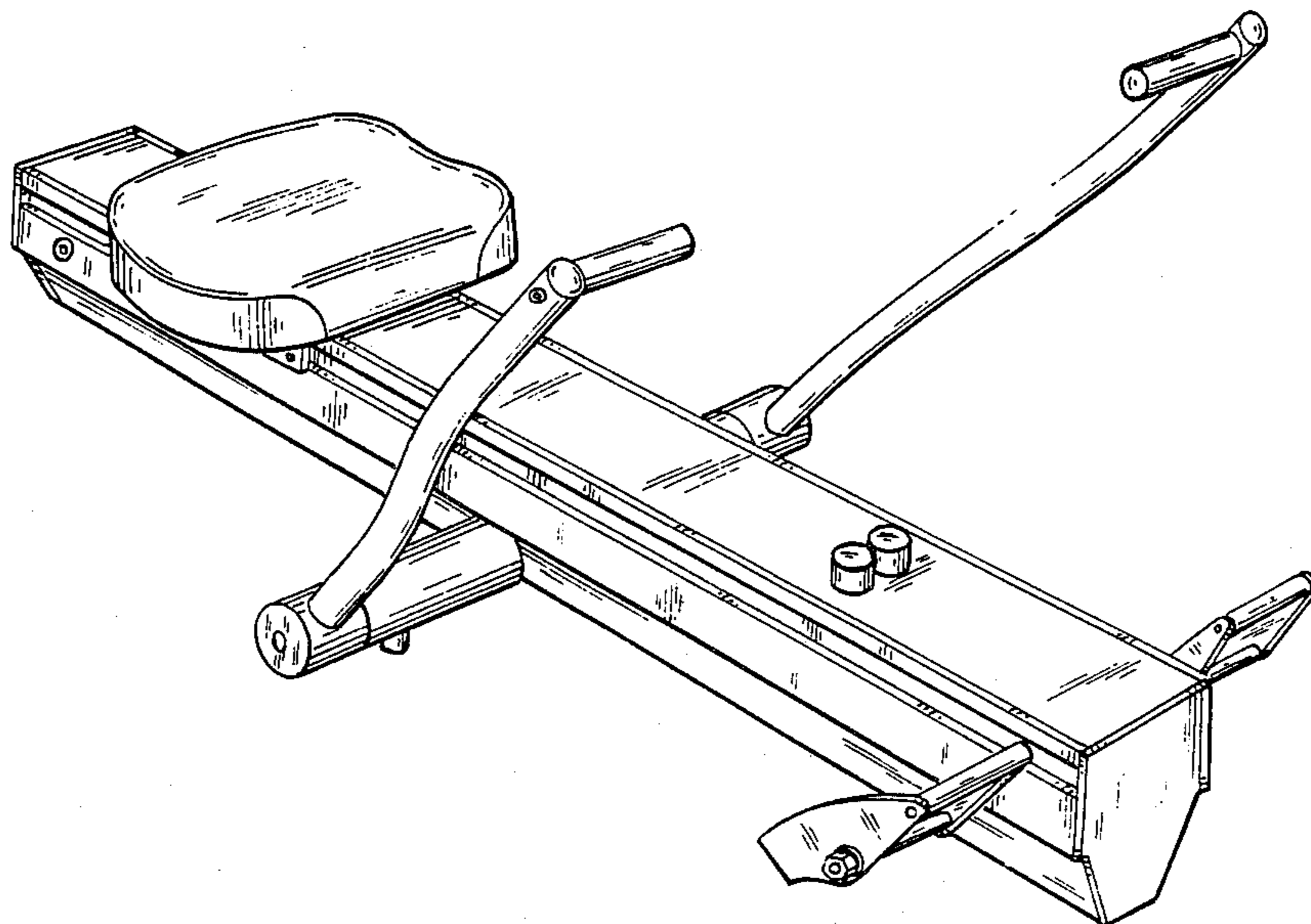
Primary Examiner—Charles A. Rademaker
Attorney, Agent, or Firm—Laff, Whitesel, Conte & Saret

[57] **CLAIM**

The ornamental design for a rowing machine, as shown.

DESCRIPTION

FIG. 1 is a front perspective view of a rowing machine showing my new design;
FIG. 2 is a rear perspective view thereof;
FIG. 3 is a right side elevational view thereof;
FIG. 4 is a top plan view thereof;
FIG. 5 is a bottom plan view thereof;
FIG. 6 is a left side elevational view thereof;
FIG. 7 is a front elevational view thereof; and
FIG. 8 is a rear elevational view thereof.



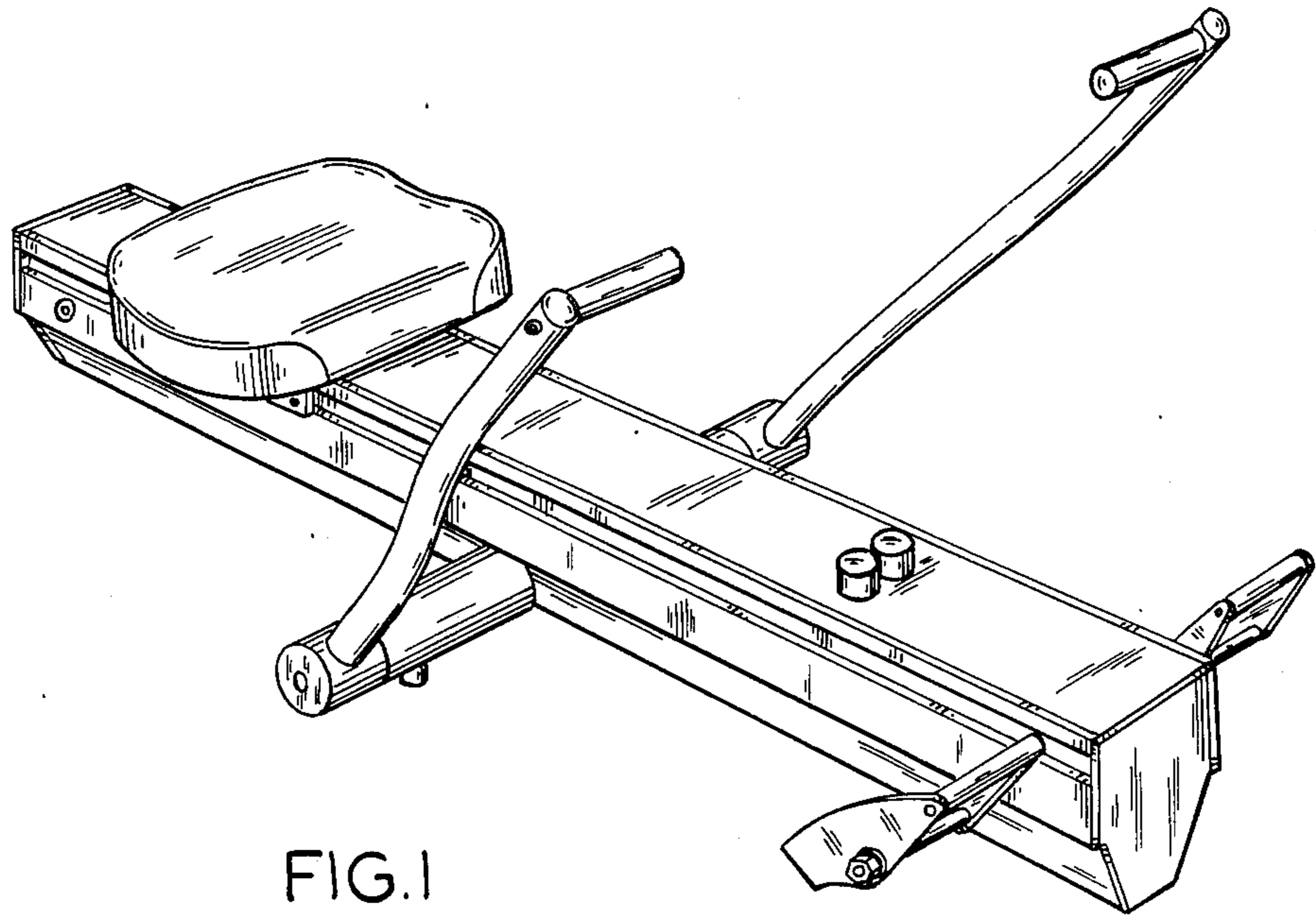


FIG. 1

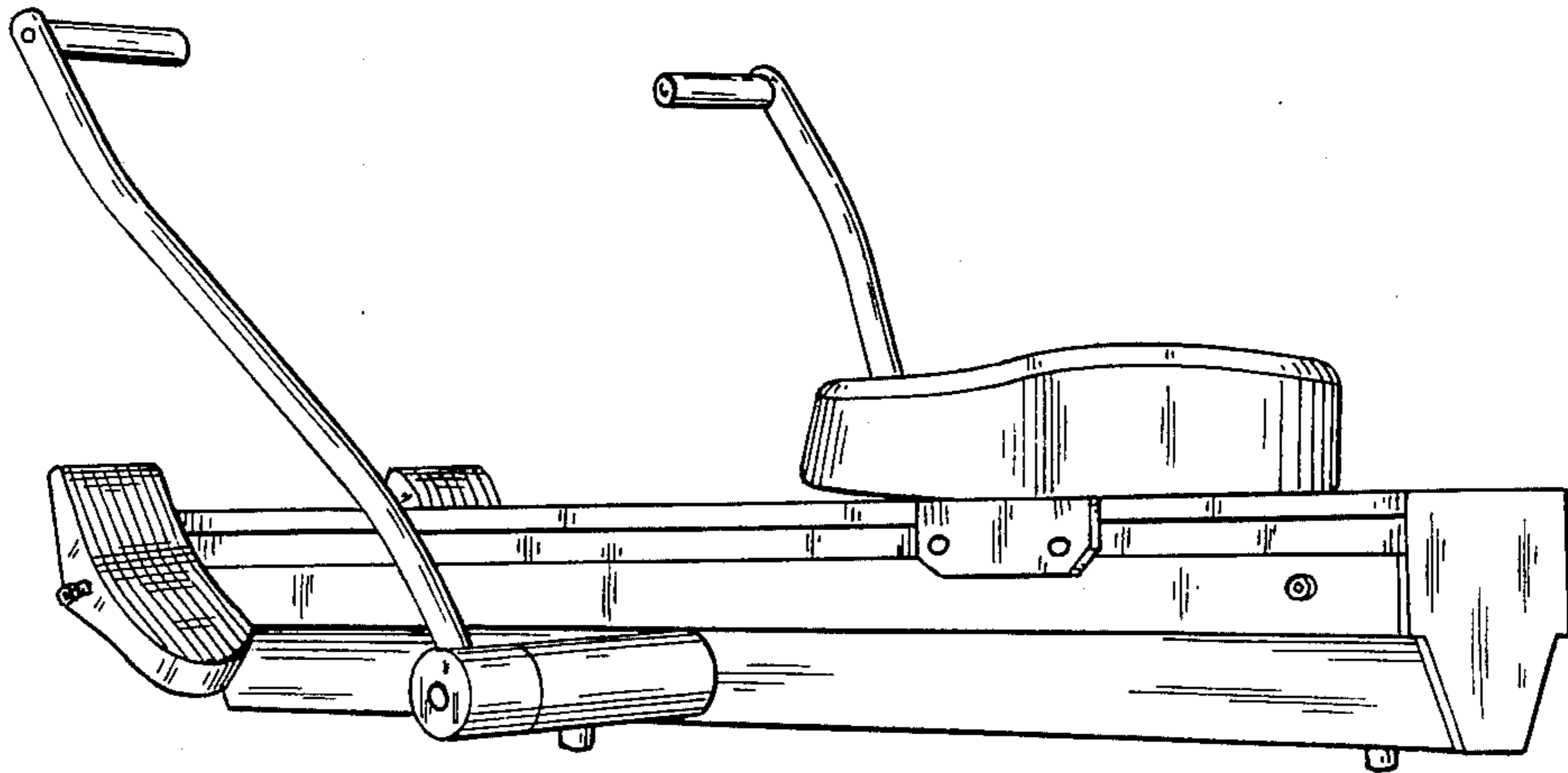


FIG. 2

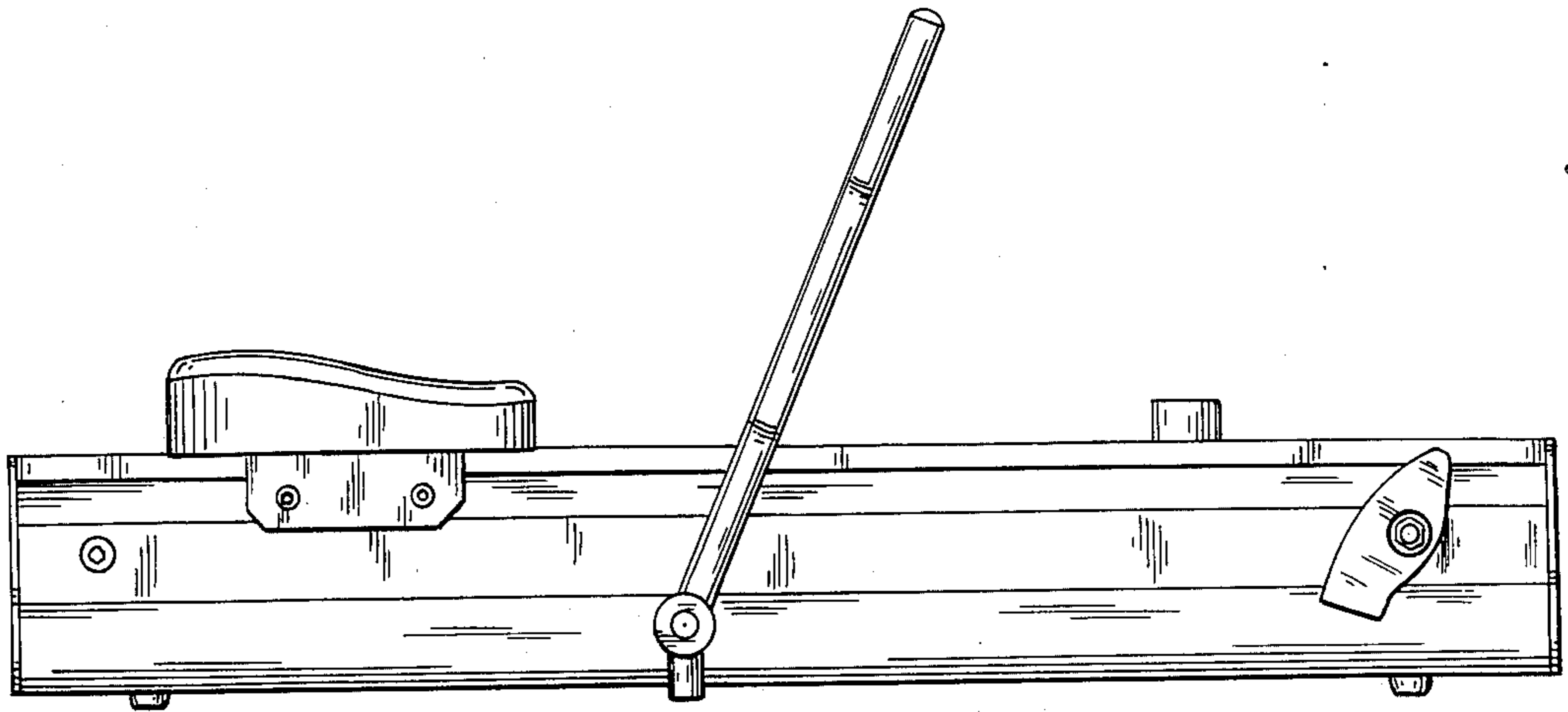


FIG. 3

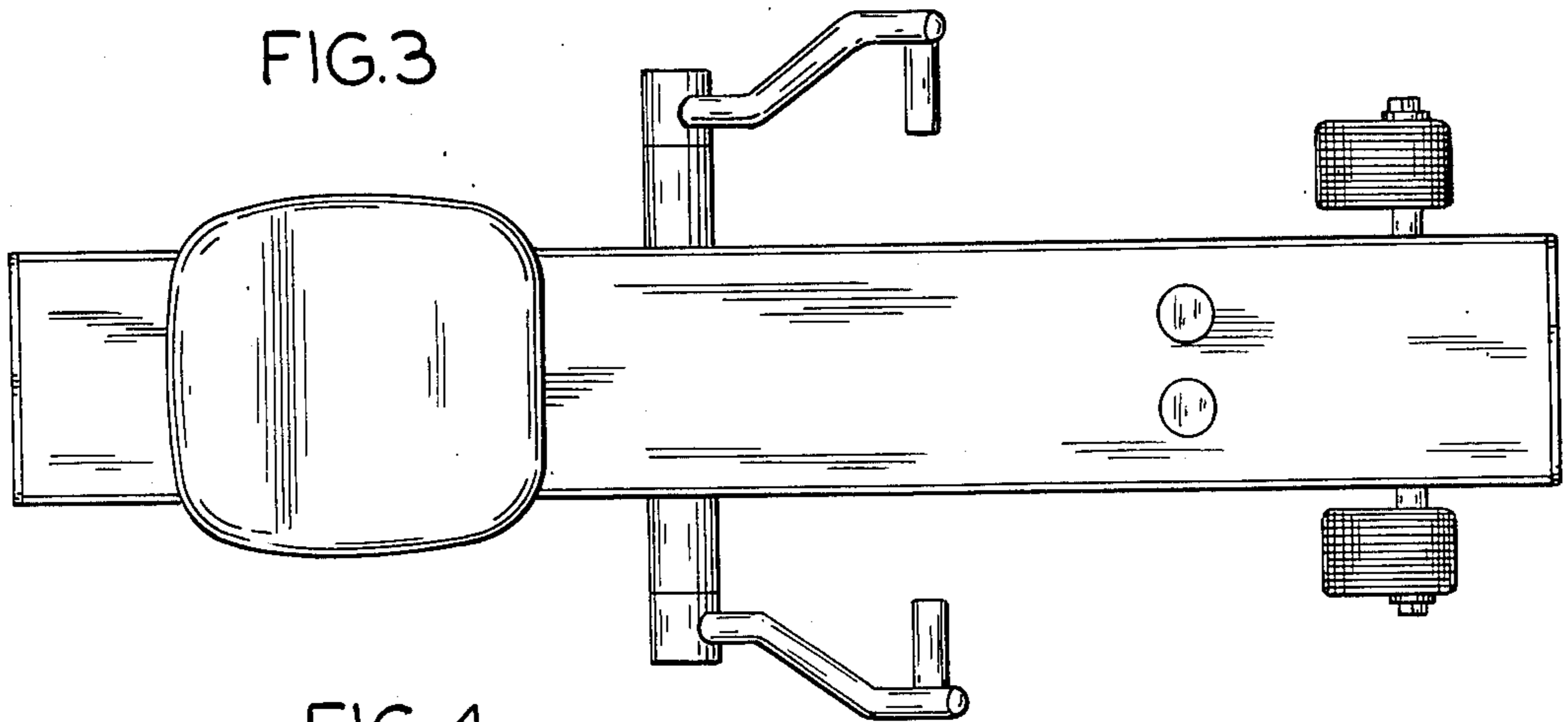


FIG. 4

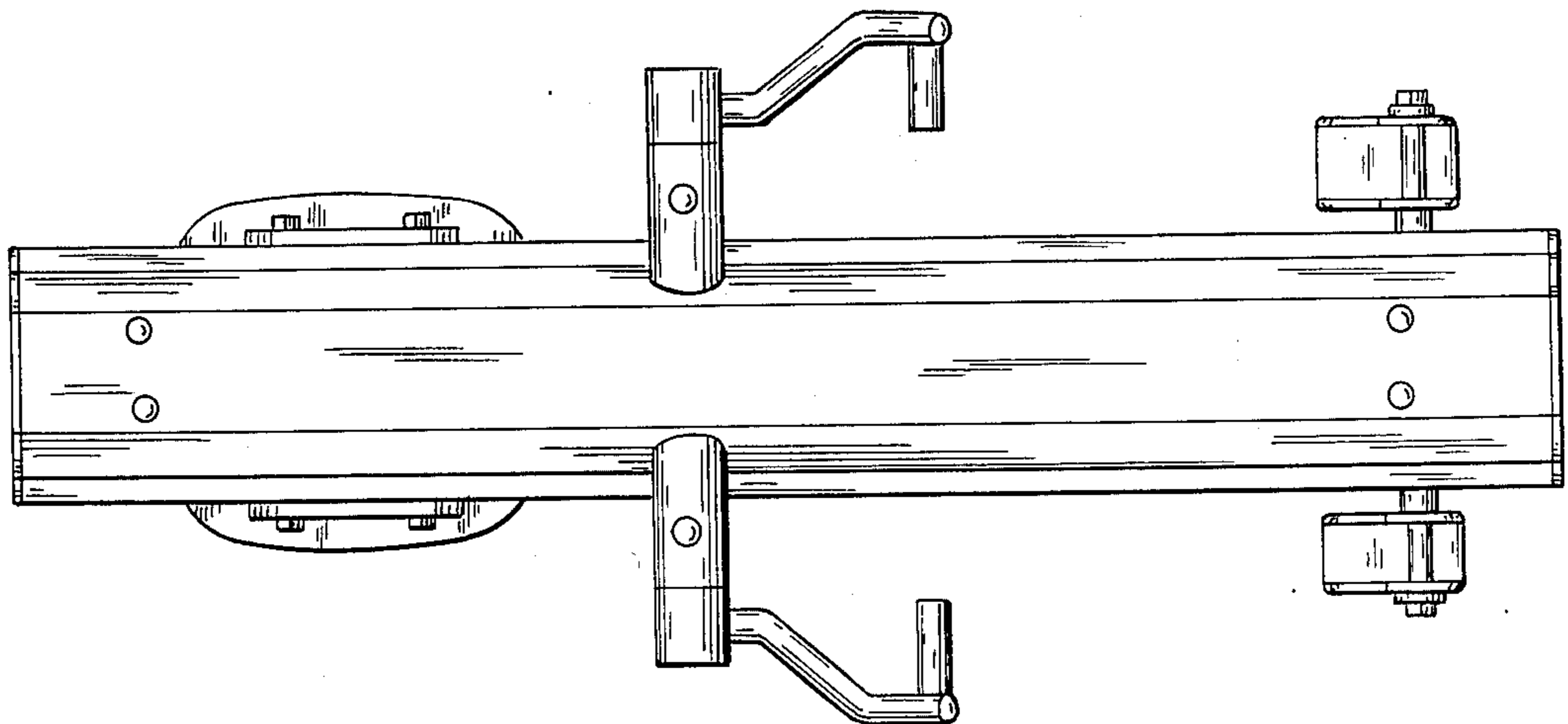


FIG. 5

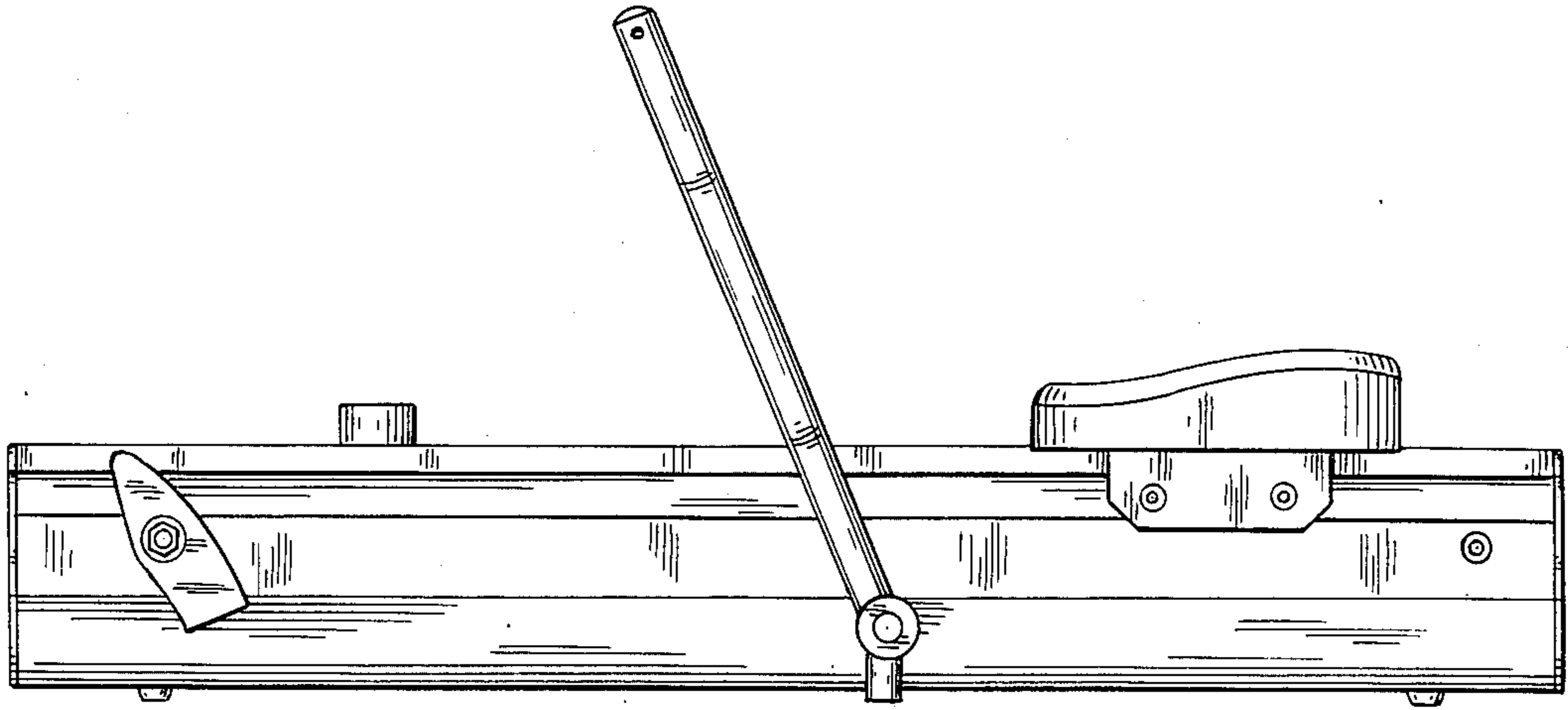


FIG. 6

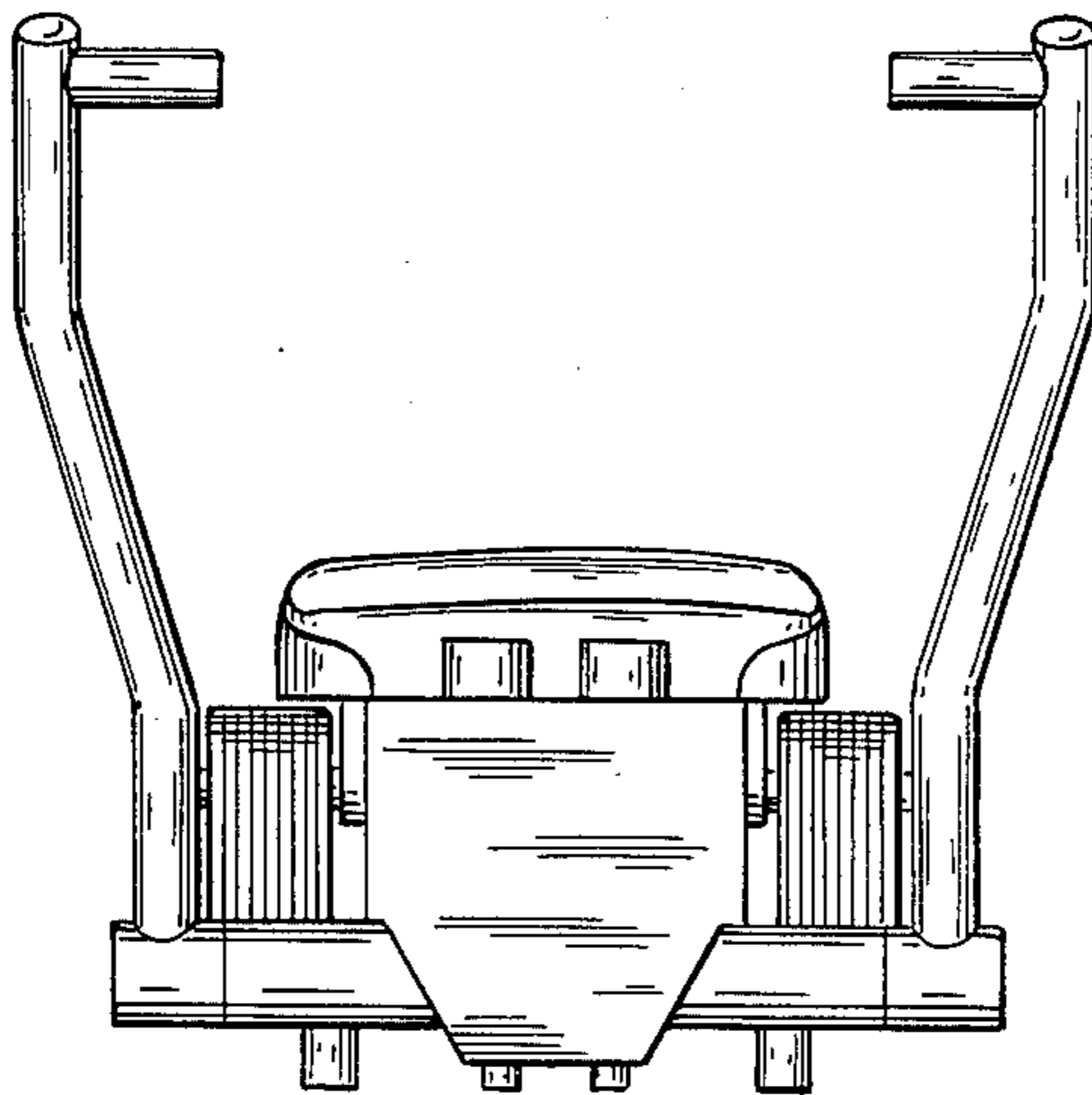


FIG. 7

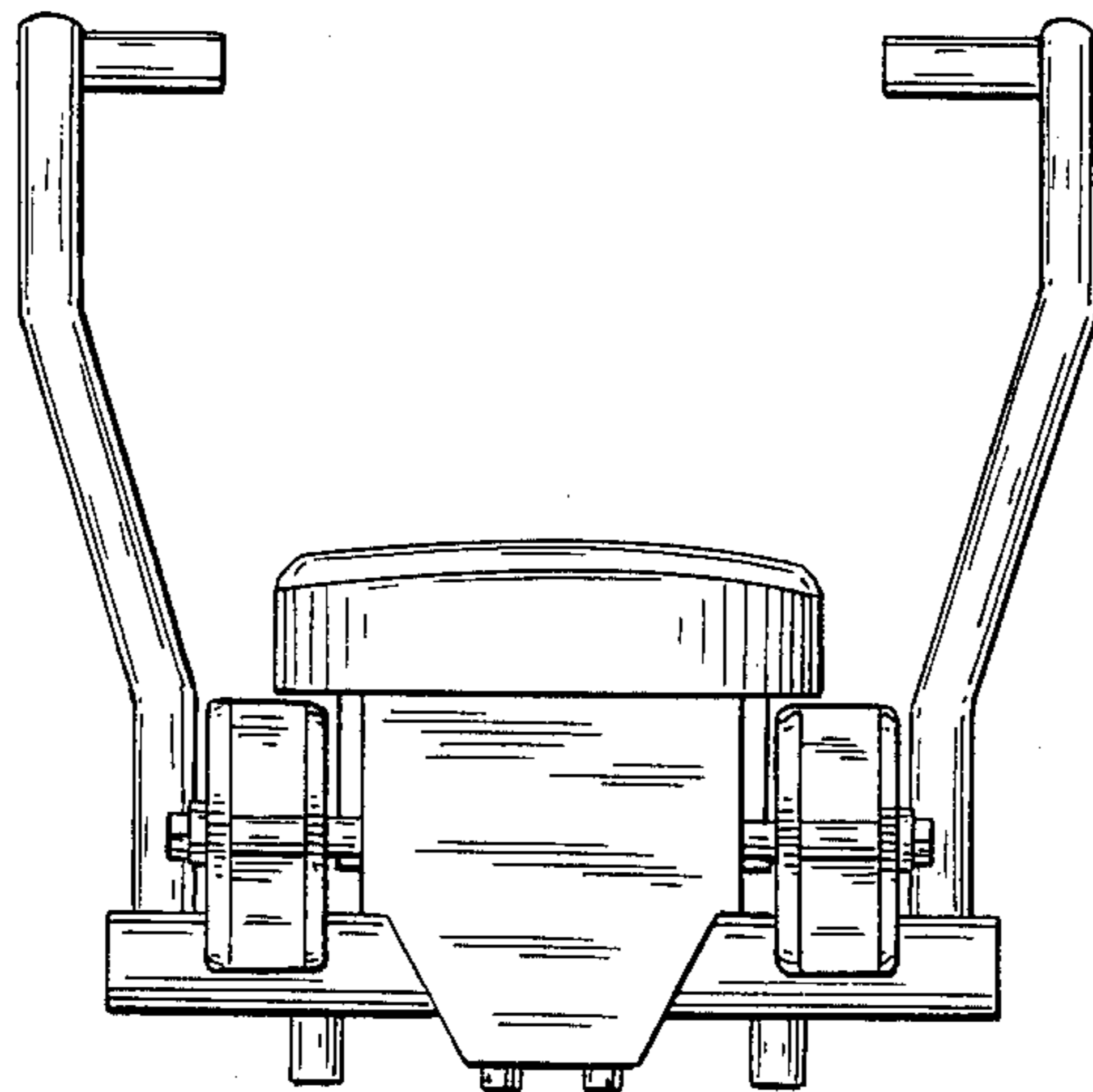


FIG. 8