

United States Patent [19]

Schroll

[11] Patent Number: **Des. 297,851**

[45] Date of Patent: **** Sep. 27, 1988**

[54] **TOY TRACK SEGMENT**

[76] Inventor: **Walter Schroll**, Mommenstr. 29,
D-8500 Nuernberg 20, Fed. Rep. of
Germany

[**] Term: **14 Years**

[21] Appl. No.: **726,047**

[22] Filed: **Apr. 23, 1985**

[30] **Foreign Application Priority Data**

Oct. 23, 1984 [DE] Fed. Rep. of Germany MR 8112

[52] U.S. Cl. **D21/143**

[58] Field of Search D21/141, 142, 143;
238/10 R, 10 A, 10 E, 10 F; 104/1 R; 446/446,
447, 424, 425

[56] **References Cited**

U.S. PATENT DOCUMENTS

D. 261,018 9/1981 Vandenbrink D21/143

D. 281,002 10/1985 Olsen D21/143
D. 281,443 11/1985 Olsen D21/143
4,193,221 3/1980 Beck 446/124
4,333,653 6/1982 Maynard 446/95

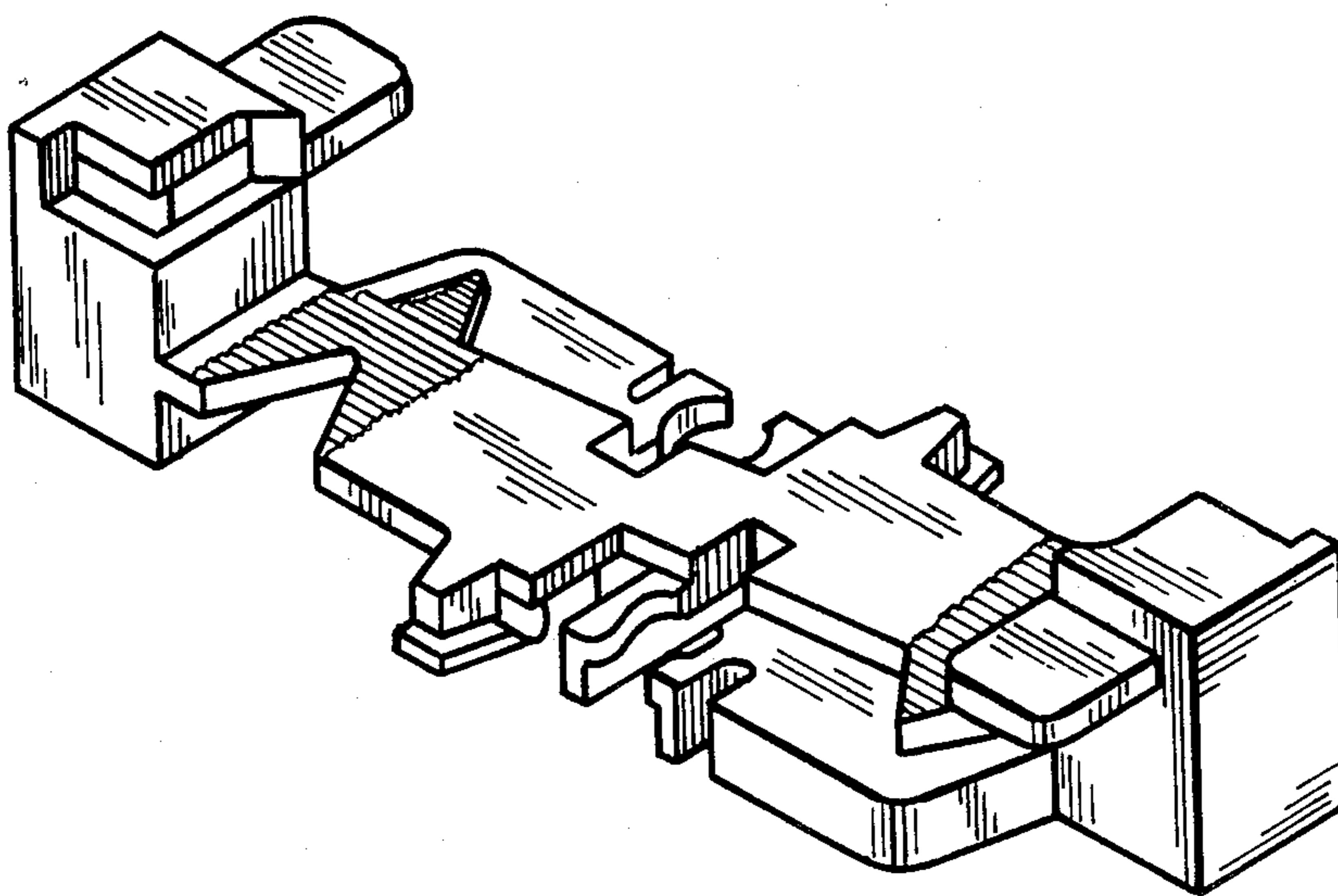
Primary Examiner—Charles A. Rademaker
Attorney, Agent, or Firm—Scully, Scott, Murphy &
Presser

[57] **CLAIM**

The ornamental design for a toy track segment, as shown and described.

DESCRIPTION

FIG. 1 is a top perspective view of a toy track segment, showing my new design;
FIG. 2 is a bottom perspective view thereof;
FIG. 3 is a top plan view thereof;
FIG. 4 is a bottom plan view thereof;
FIG. 5 is a front elevational view thereof; and,
FIG. 6 is a right side elevational view thereof, the side opposite being substantially a mirror image.



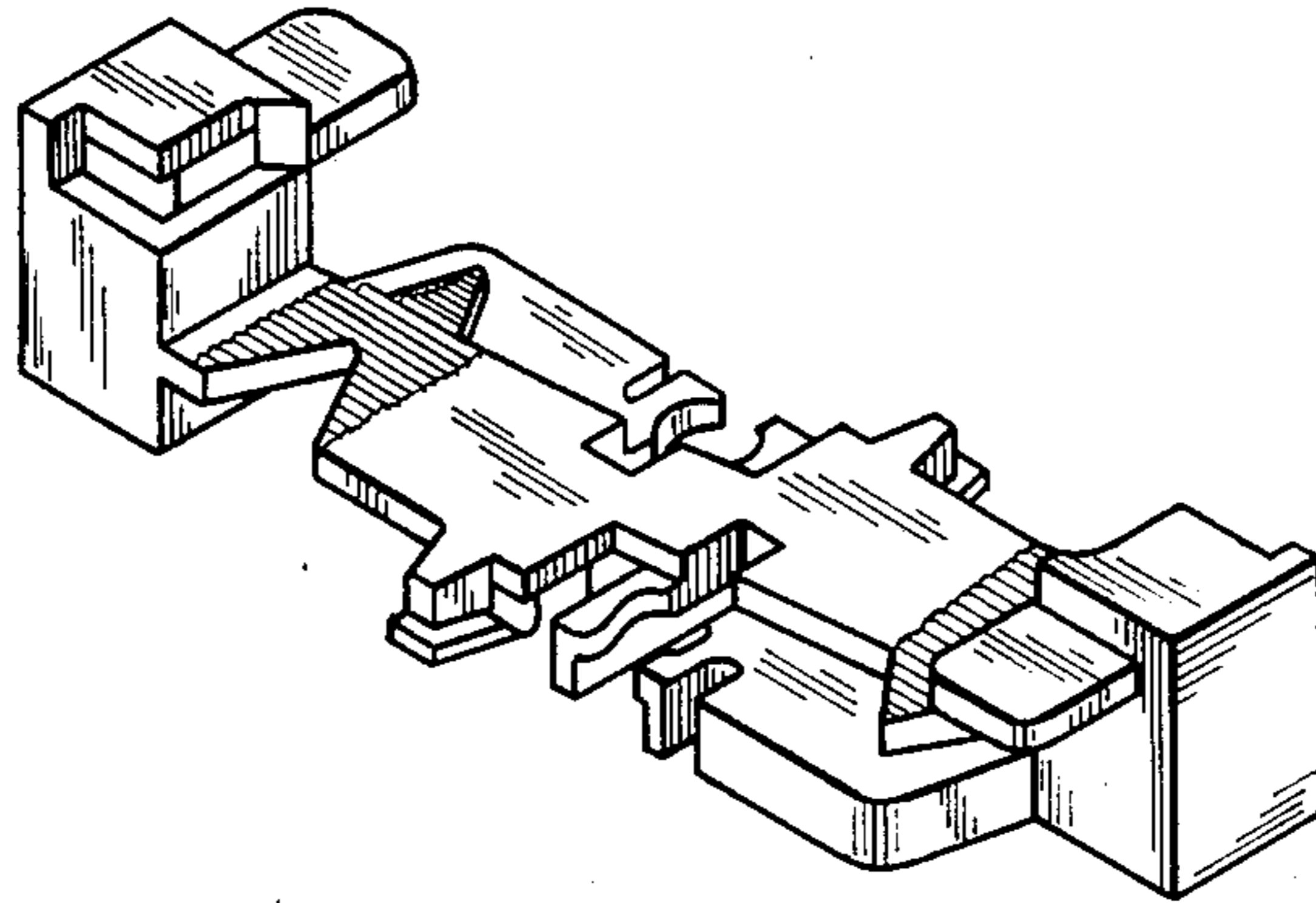


FIG. 1

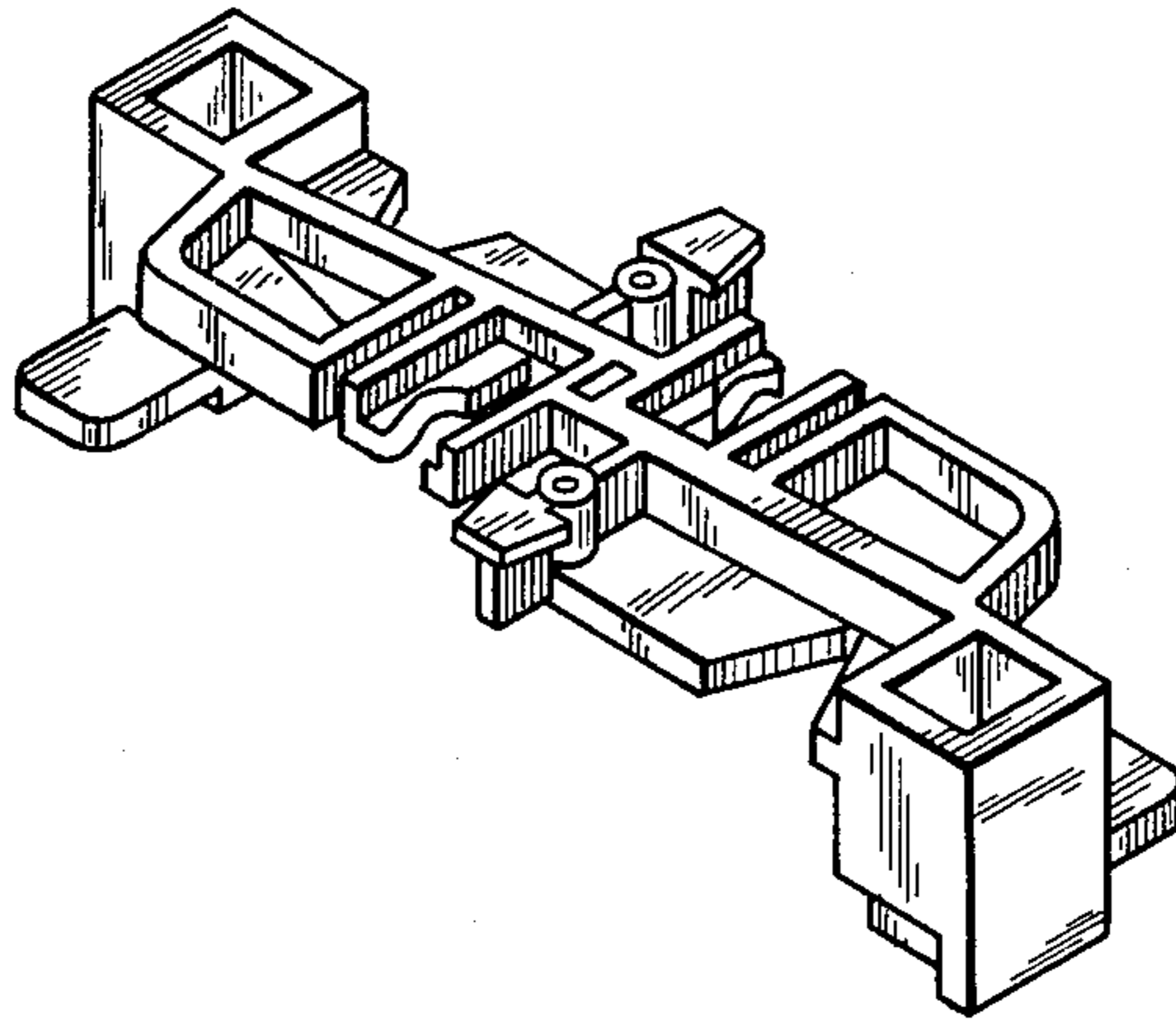


FIG. 2

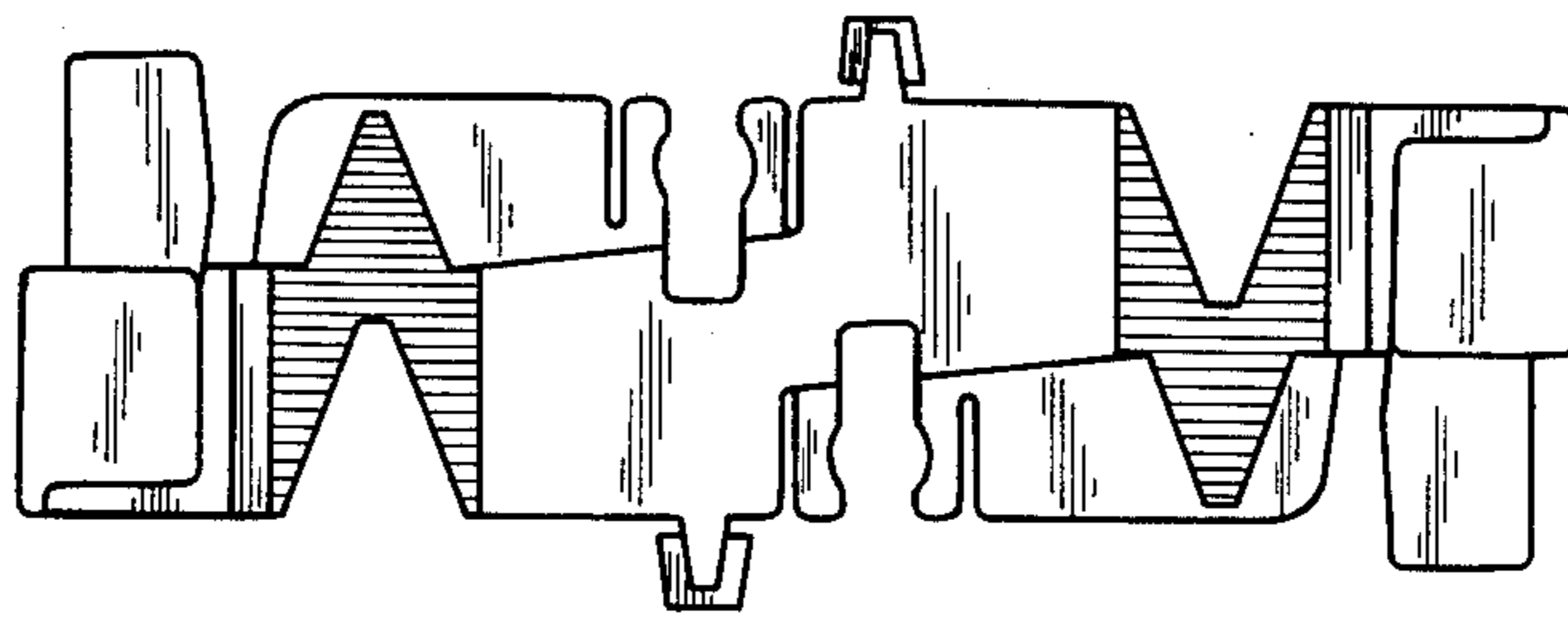


FIG. 3

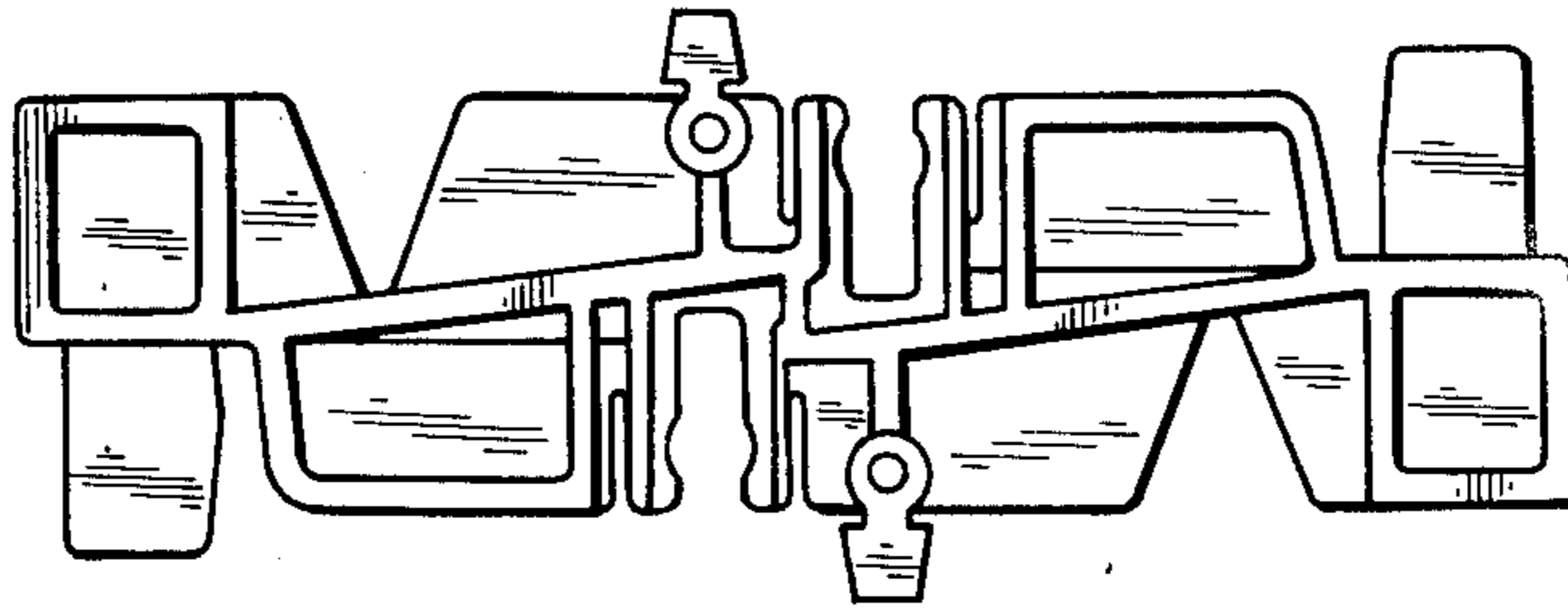


FIG. 4

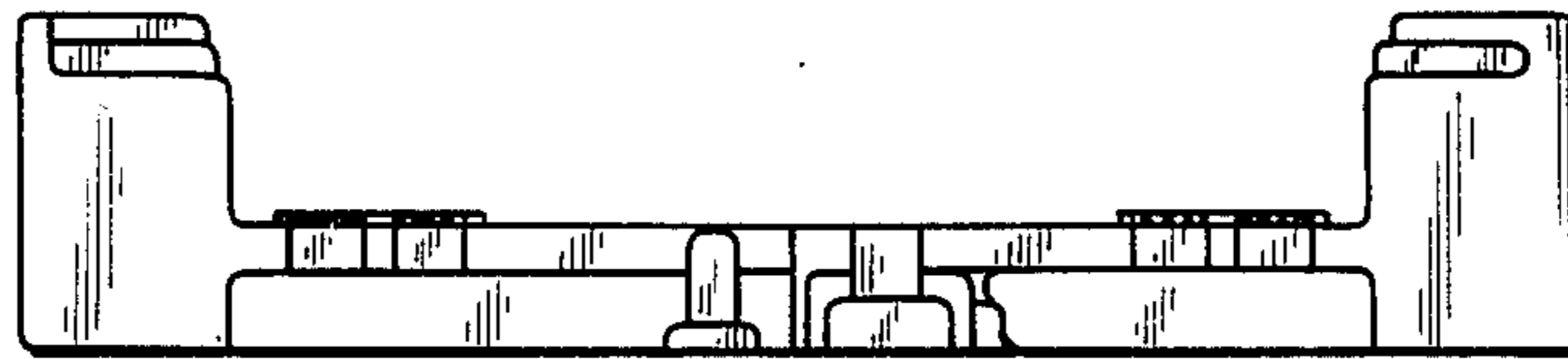


FIG. 5

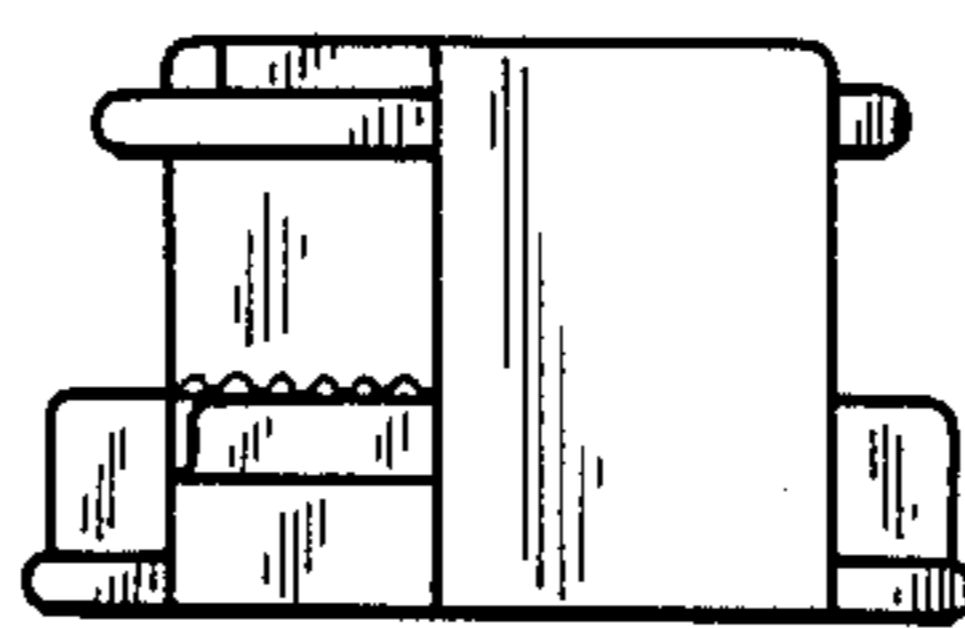


FIG. 6