

United States Patent [19]

Burenga

[11] Patent Number: Des. 297,848

[45] Date of Patent: ** Sep. 27, 1988

[54] HAY BALE CLAW

[75] Inventor: Thomas I. Burenga, Litchfield, Ill.

[73] Assignee: Worksaver, Inc., Litchfield, Ill.

[**] Term: 14 Years

[21] Appl. No.: 889,891

[22] Filed: Jul. 28, 1986

[52] U.S. Cl. D15/32; D34/35

[58] Field of Search D15/10-13,
D15/27-29, 32-33; D34/35, 34, 28; 414/24.5,
98, 111, 107, 607, 687, 721, 722, 729

[56] References Cited

U.S. PATENT DOCUMENTS

D. 243,326 2/1977 Vandewater D15/28
D. 246,845 1/1978 Sheesley et al. D15/32
4,082,192 4/1978 Cox 414/721

4,099,629 7/1978 Cox 414/721
4,120,405 10/1978 Jones et al. 414/721
4,316,691 2/1982 Kucera 414/24.5

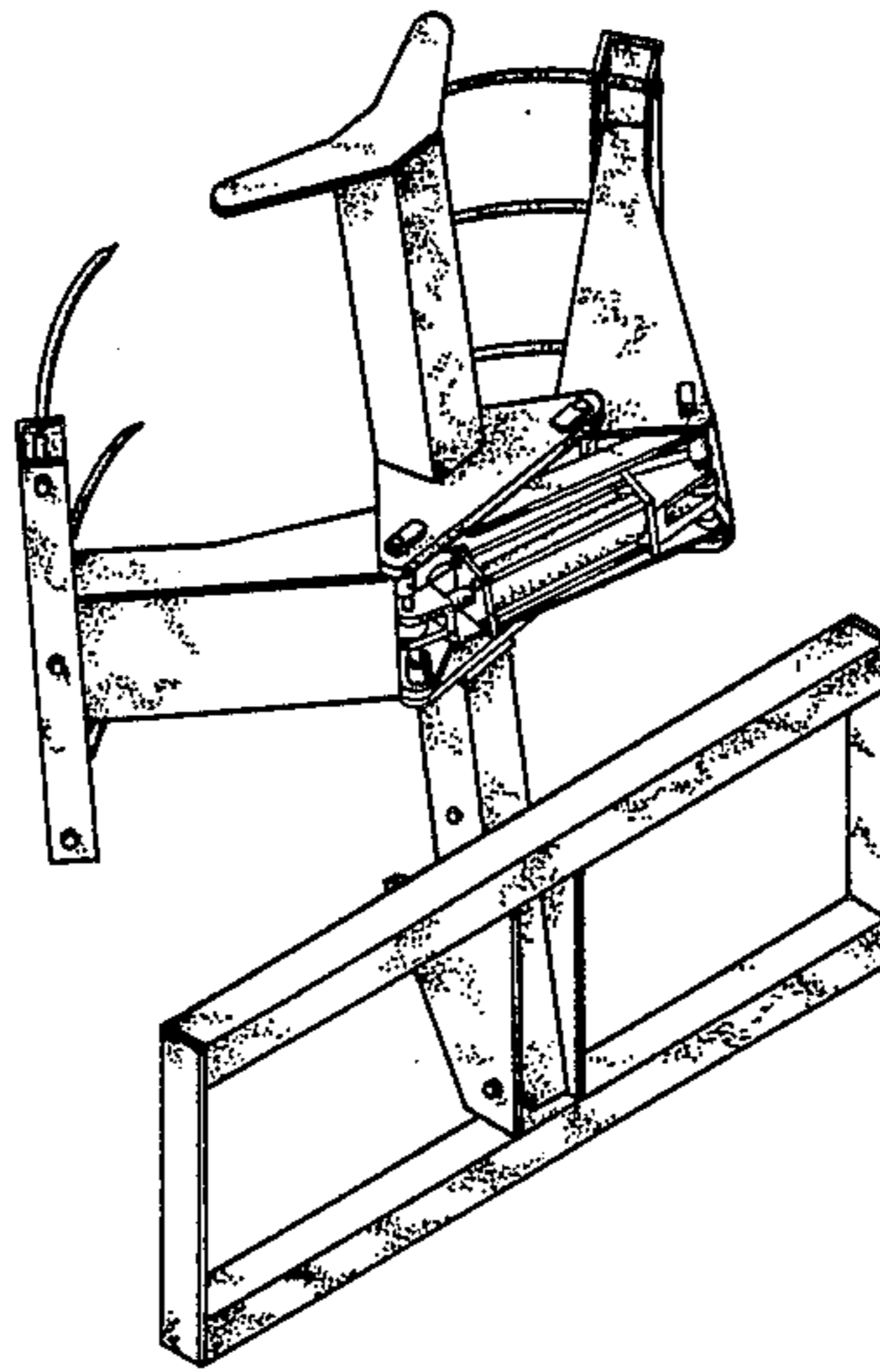
Primary Examiner—Wallace R. Burke
Assistant Examiner—Ruth Takemoto
Attorney, Agent, or Firm—Paul M. Denk

[57] CLAIM

The ornamental design for a hay bale claw, as shown.

DESCRIPTION

FIG. 1 is an isometric view of a hay bale claw showing my new design;
FIG. 2 is a left side elevational view thereof, the right side being a mirror image;
FIG. 3 is a top plan view thereof;
FIG. 4 is a rear elevational view thereof;
FIG. 5 is a bottom plan view thereof; and,
FIG. 6 is a front elevational view thereof.



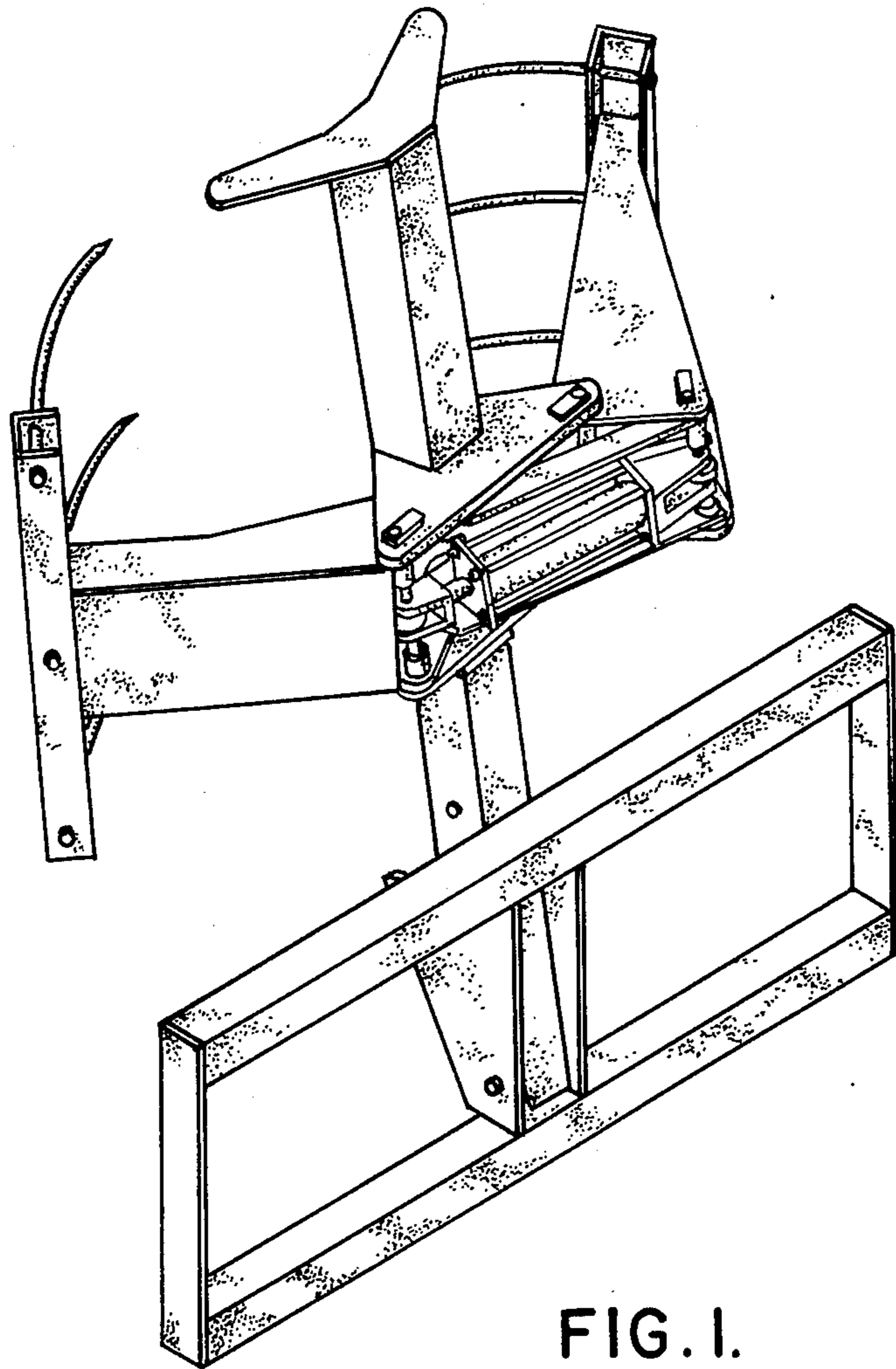


FIG. 1.

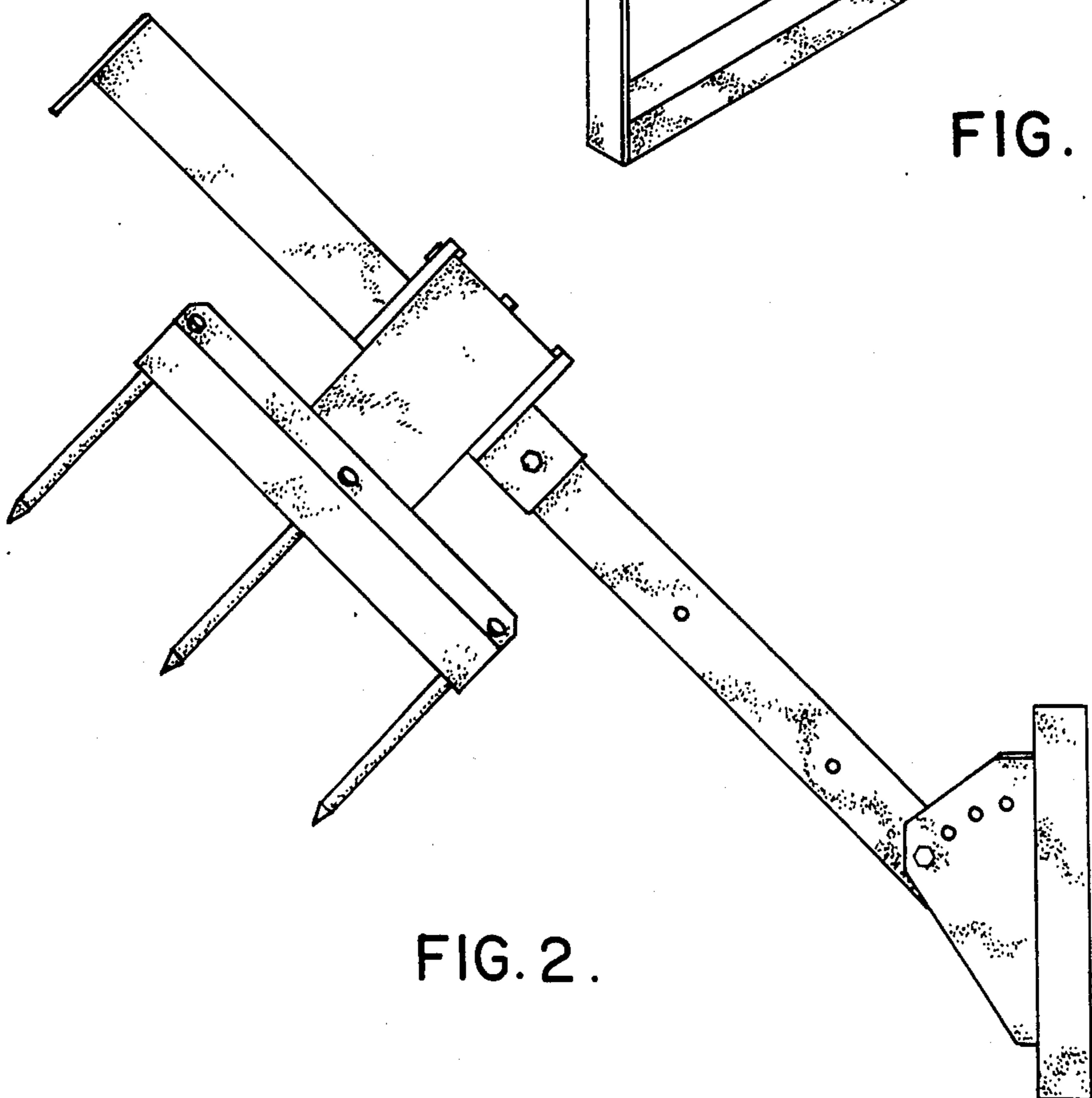


FIG. 2.

FIG. 3.

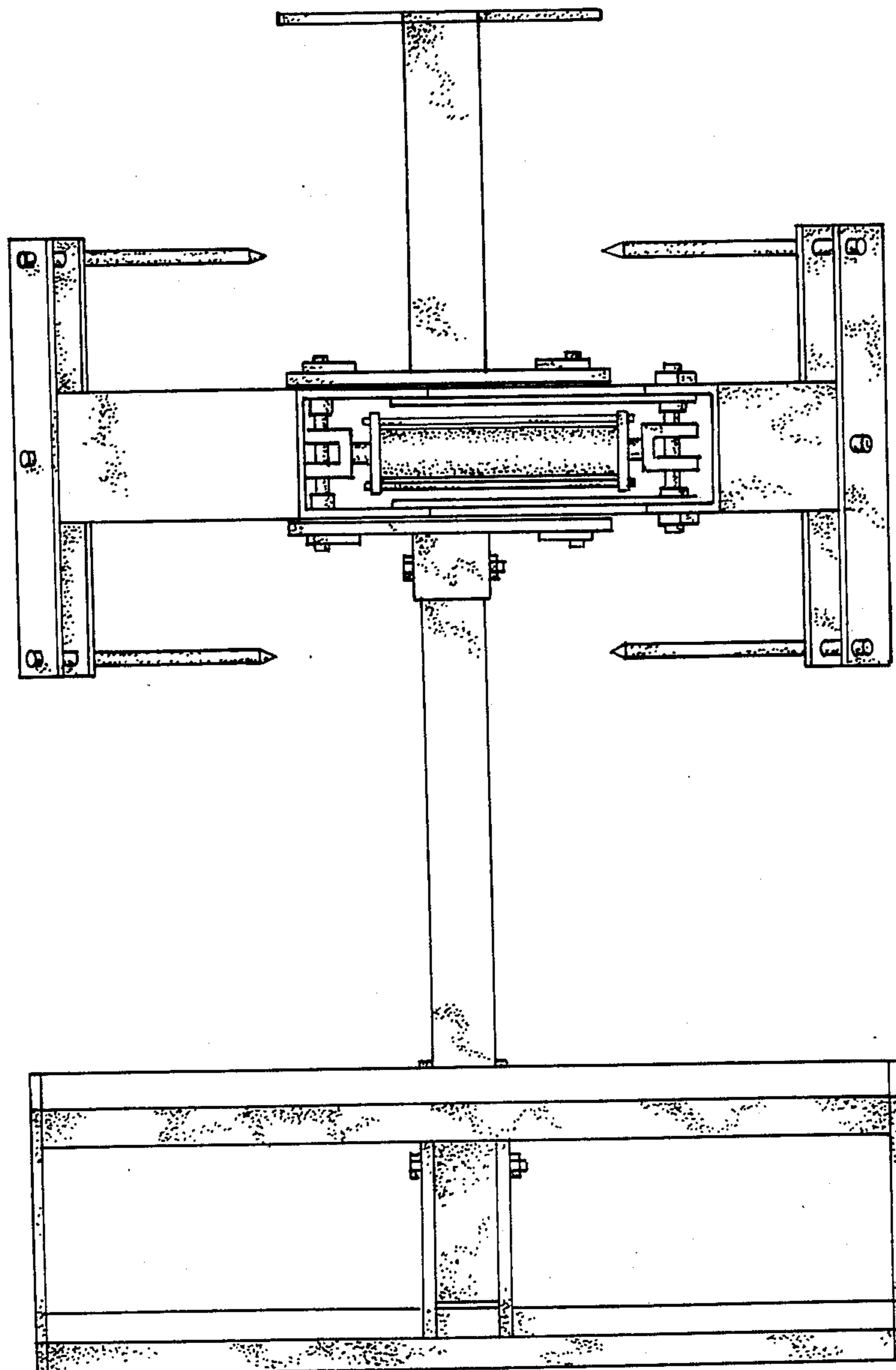
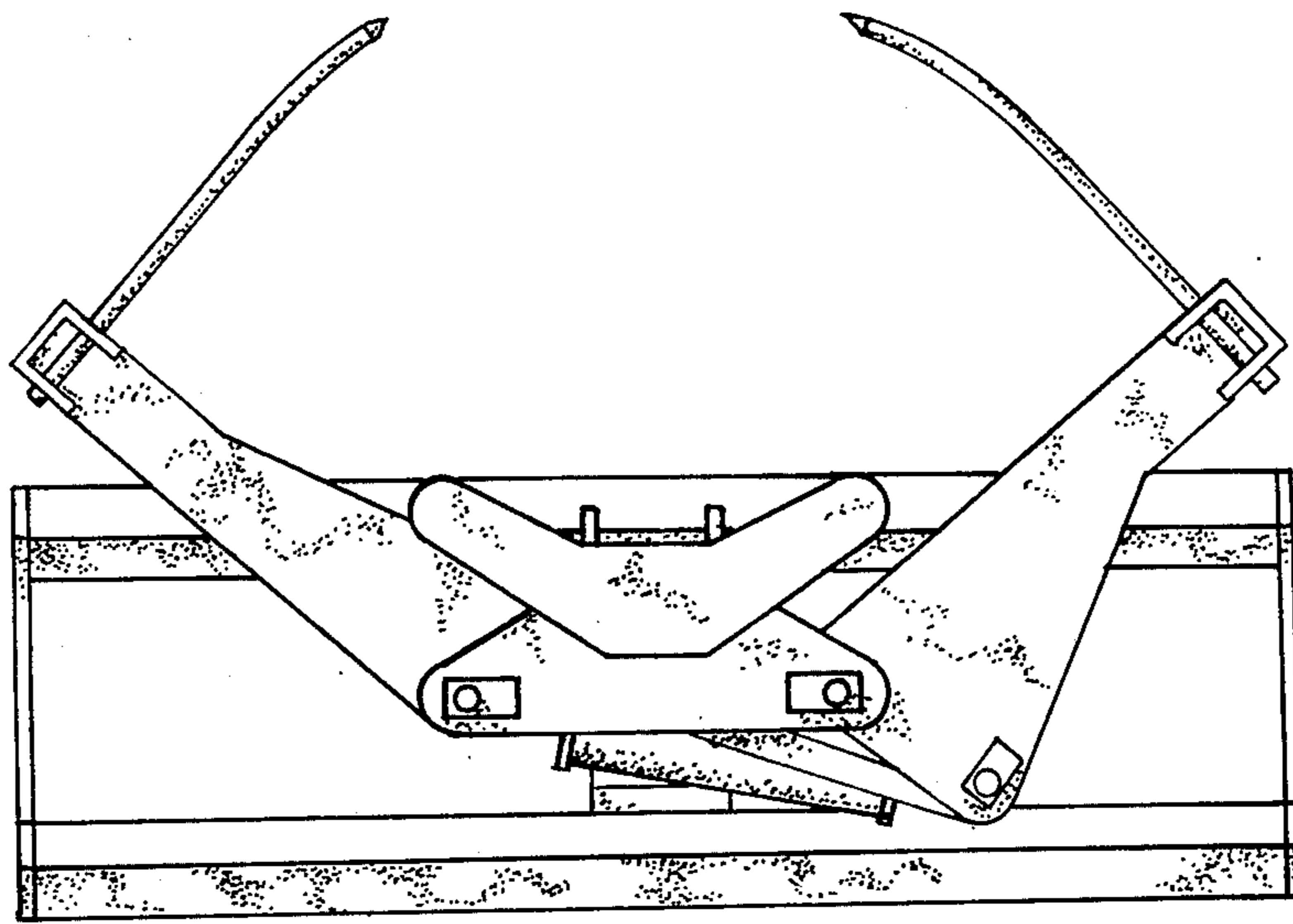


FIG. 4.

FIG. 5.

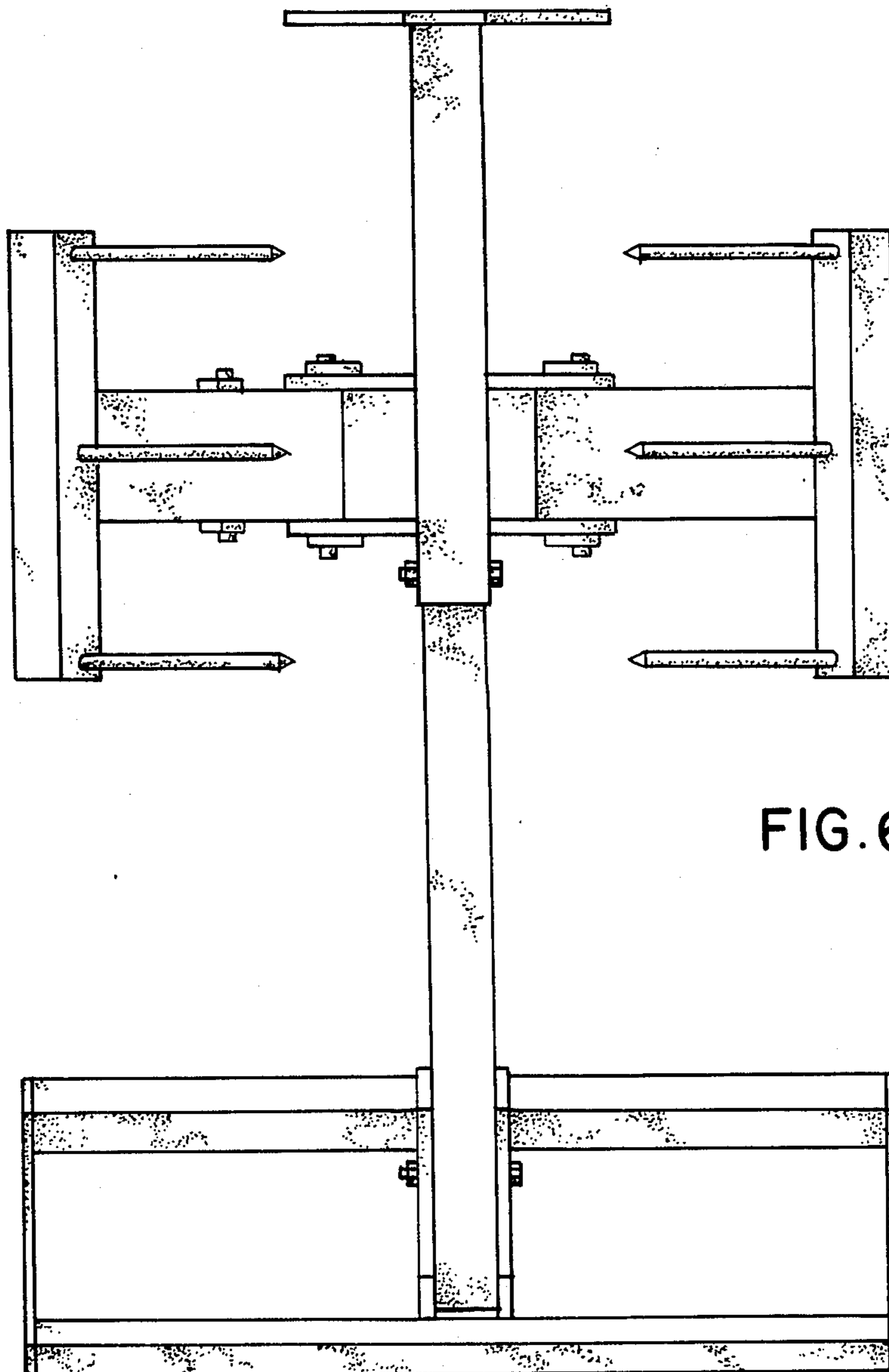
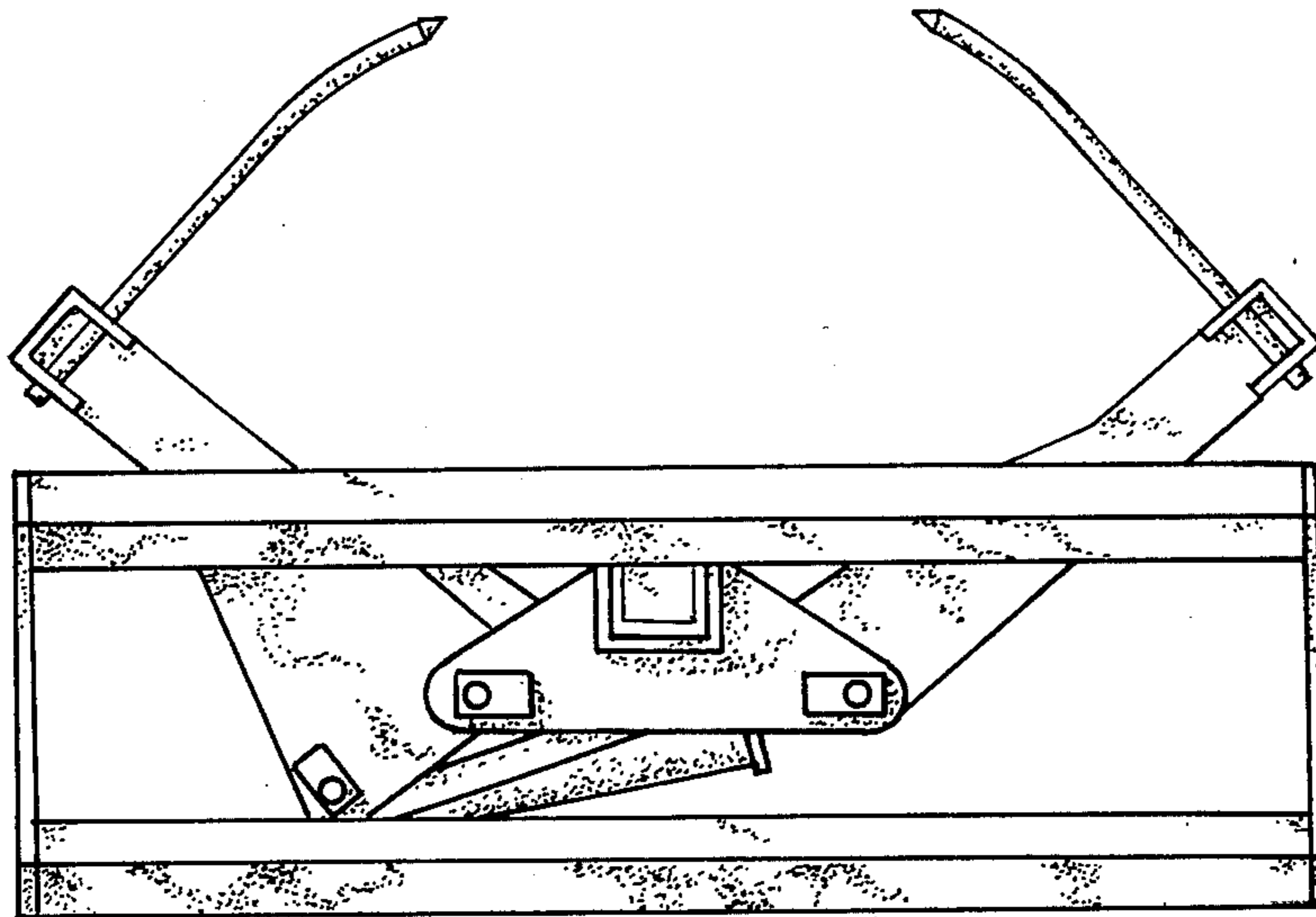


FIG. 6.