

[54] **PRINTER**

[75] **Inventor: Isao Sugimoto, Tokyo, Japan**

[73] **Assignee: Citizen Watch Co., Ltd., Tokyo, Japan**

[\*\*] **Term: 14 Years**

[21] **Appl. No.: 811,732**

[22] **Filed: Dec. 20, 1985**

[30] **Foreign Application Priority Data**

Aug. 26, 1985 [JP] Japan ..... 60-35782

[52] **U.S. Cl. .... D14/111**

[58] **Field of Search ..... D14/100, 106, 107, 111,  
D14/114; D18/13, 18, 22; 400/689, 690, 690.1,  
690.4, 691, 693**

[56] **References Cited**

**U.S. PATENT DOCUMENTS**

D. 280,724 9/1985 Hashimoto ..... D14/111  
D. 287,855 1/1987 Yamamoto ..... D14/111  
D. 288,096 2/1987 Kato et al. .... D14/111

*Primary Examiner*—Susan J. Lucas  
*Attorney, Agent, or Firm*—Cushman, Darby & Cushman

[57] **CLAIM**

The ornamental design for a printer, as shown.

**DESCRIPTION**

FIG. 1 is a top, front and left side perspective view of a printer showing my new design;  
FIG. 2 is a rear, bottom and left side perspective view thereof,  
FIG. 3 is a top plan view thereof,  
FIG. 4 is a bottom plan view thereof,  
FIG. 5 is a front elevational view thereof,  
FIG. 6 is a rear elevational view thereof,  
FIG. 7 is a left side elevational view thereof, and  
FIG. 8 is a right side elevational view thereof.

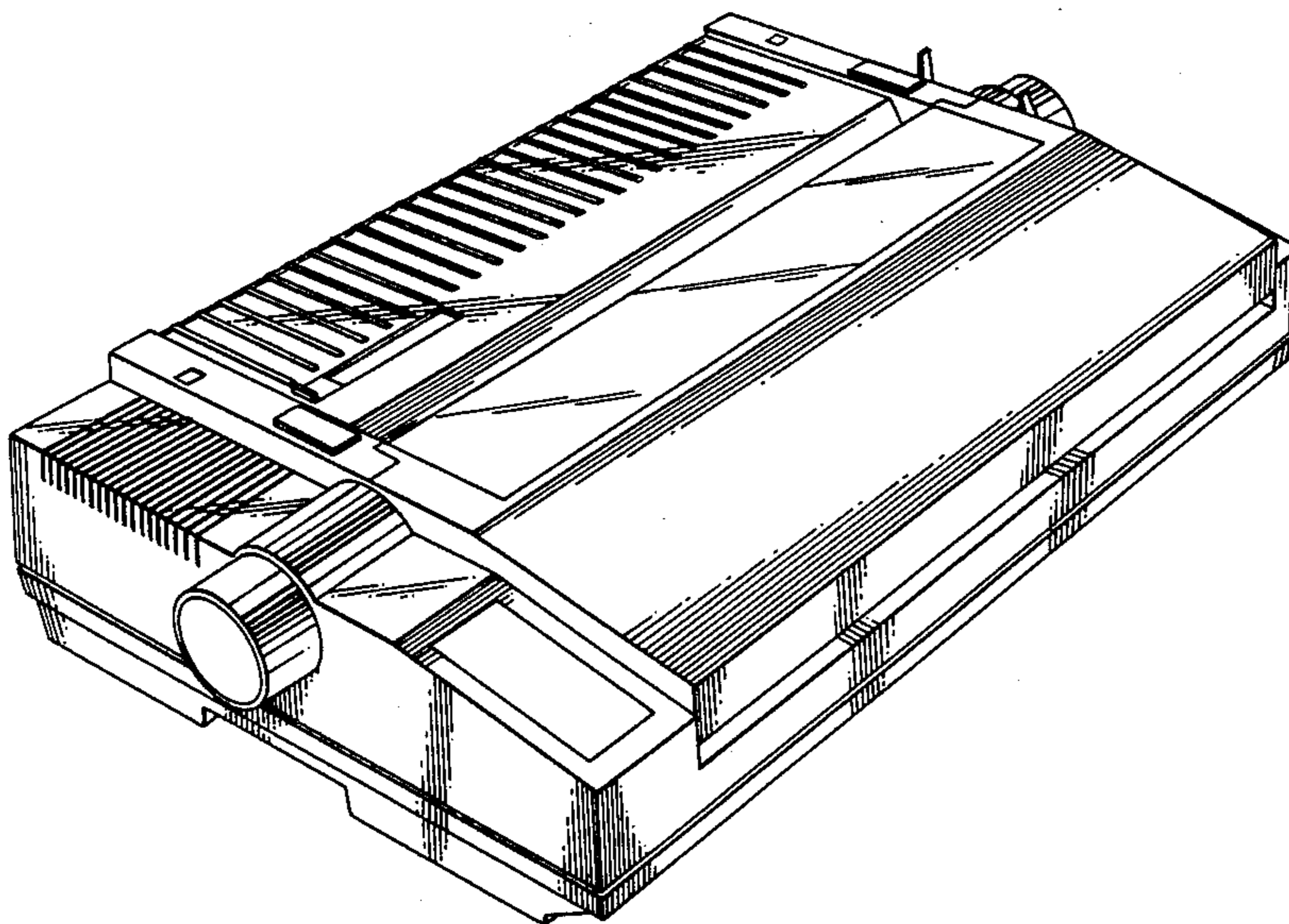


FIG. 1

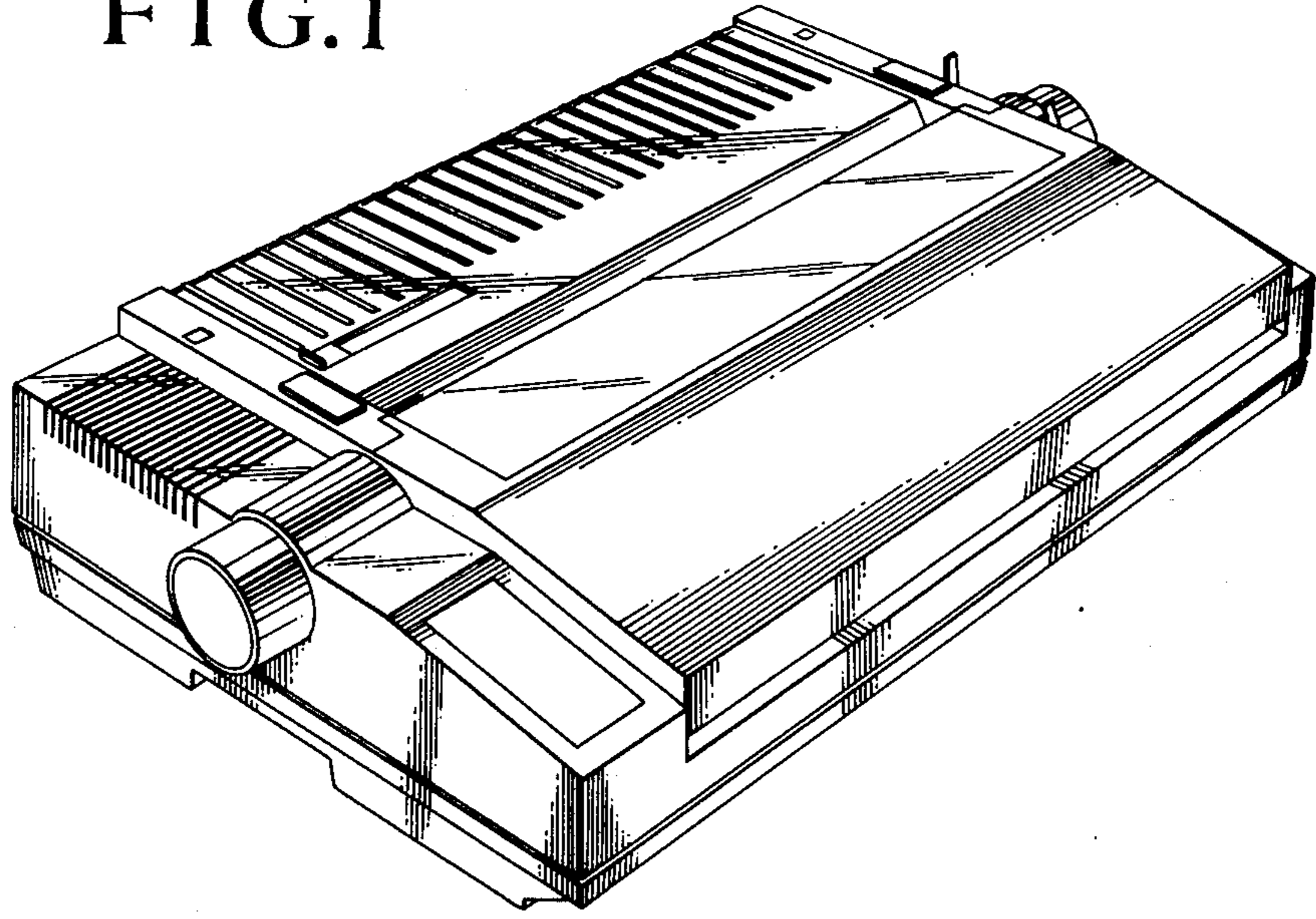


FIG. 2

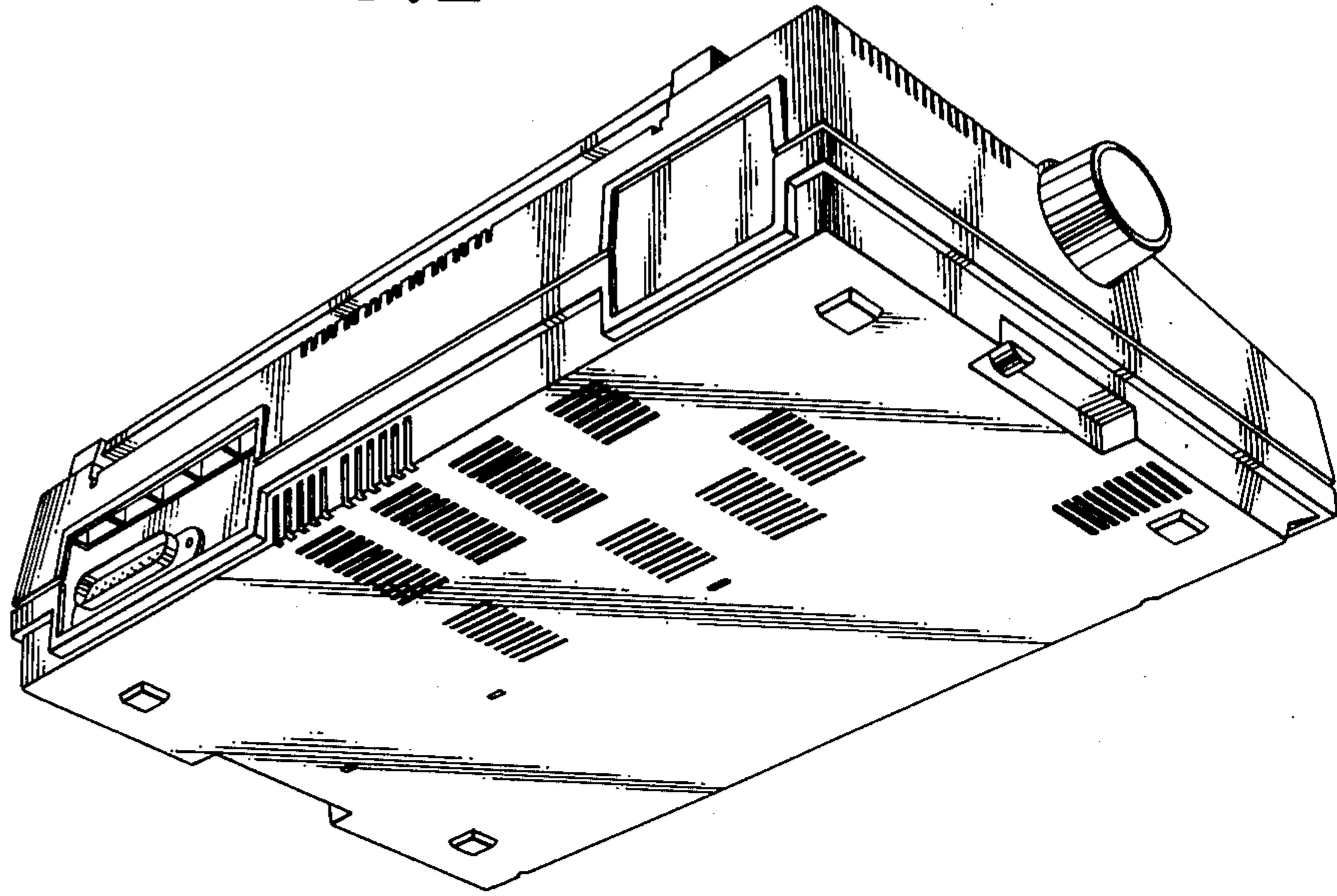


FIG. 3

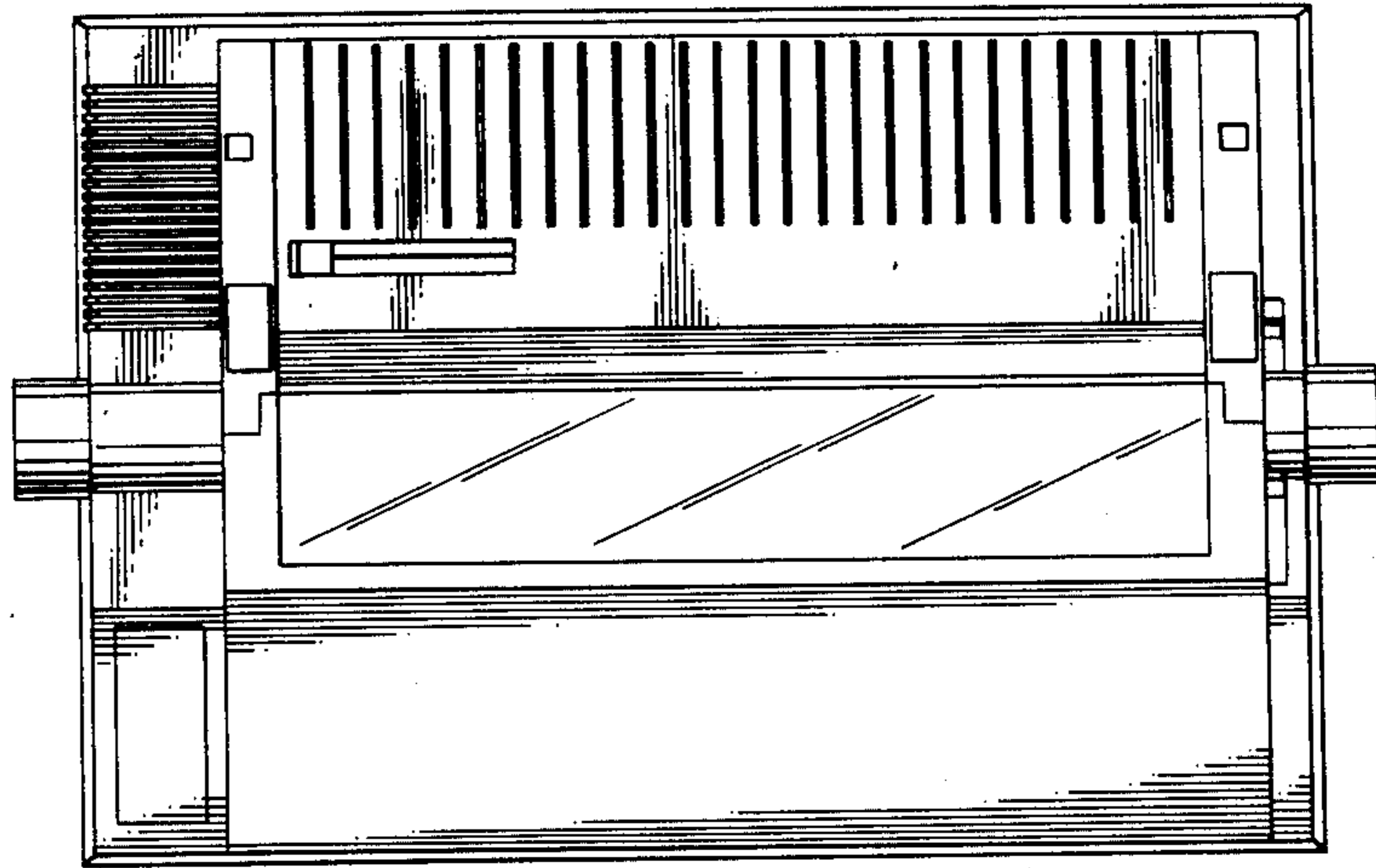


FIG. 4

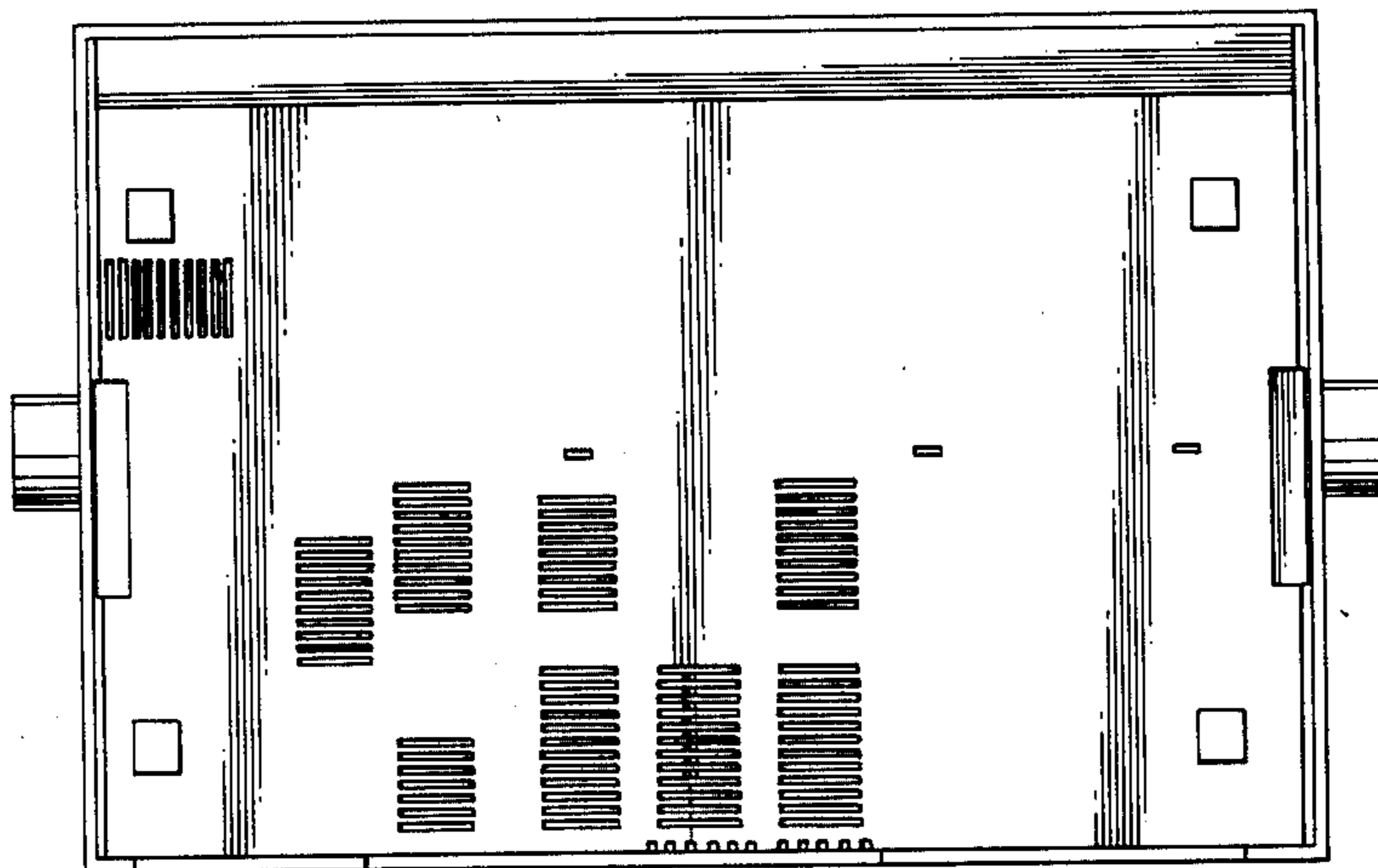


FIG.5

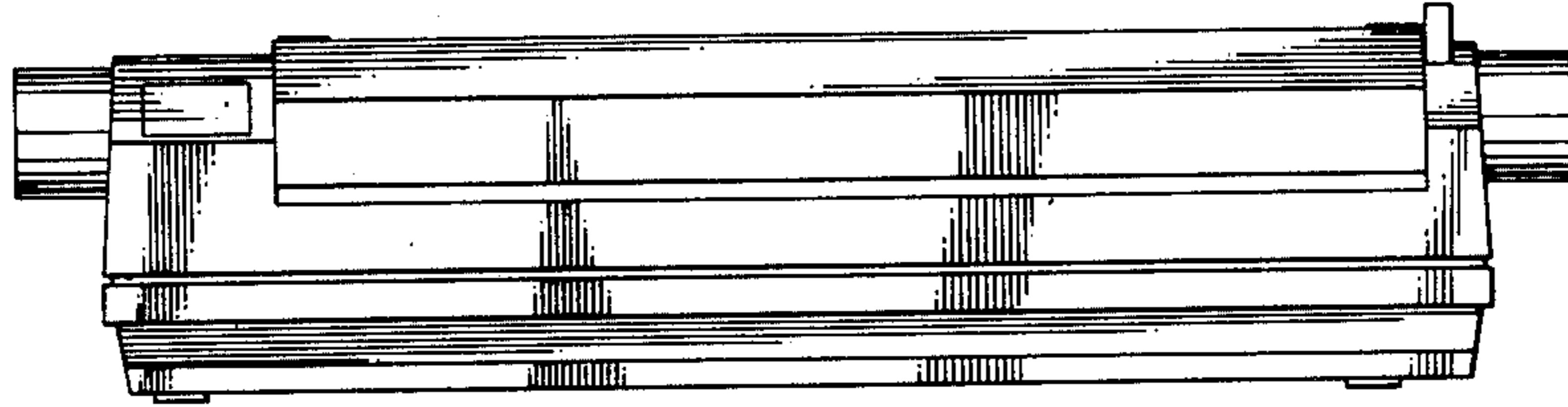


FIG.6

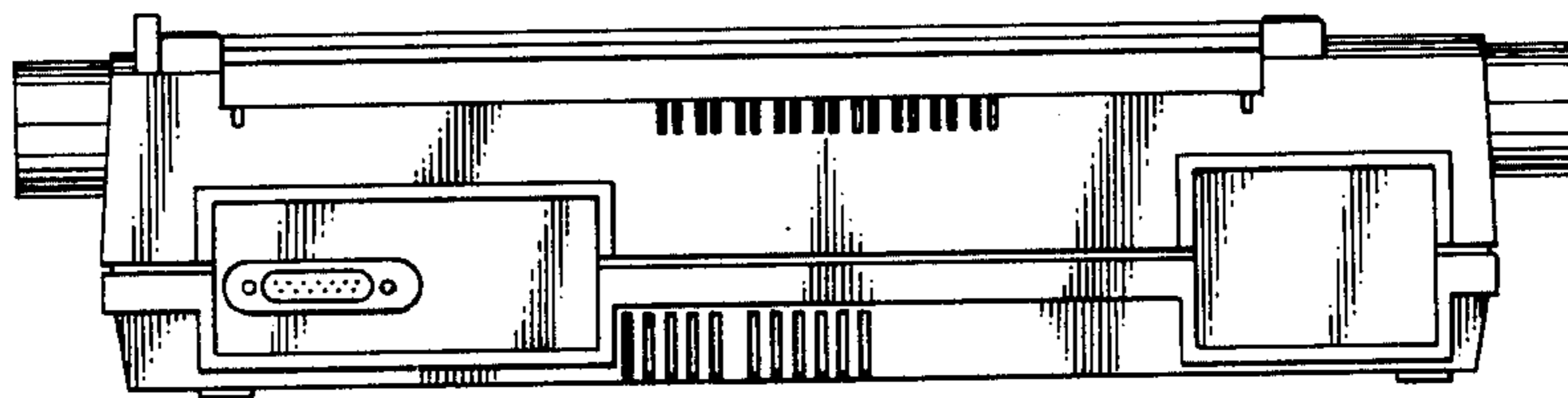


FIG.7

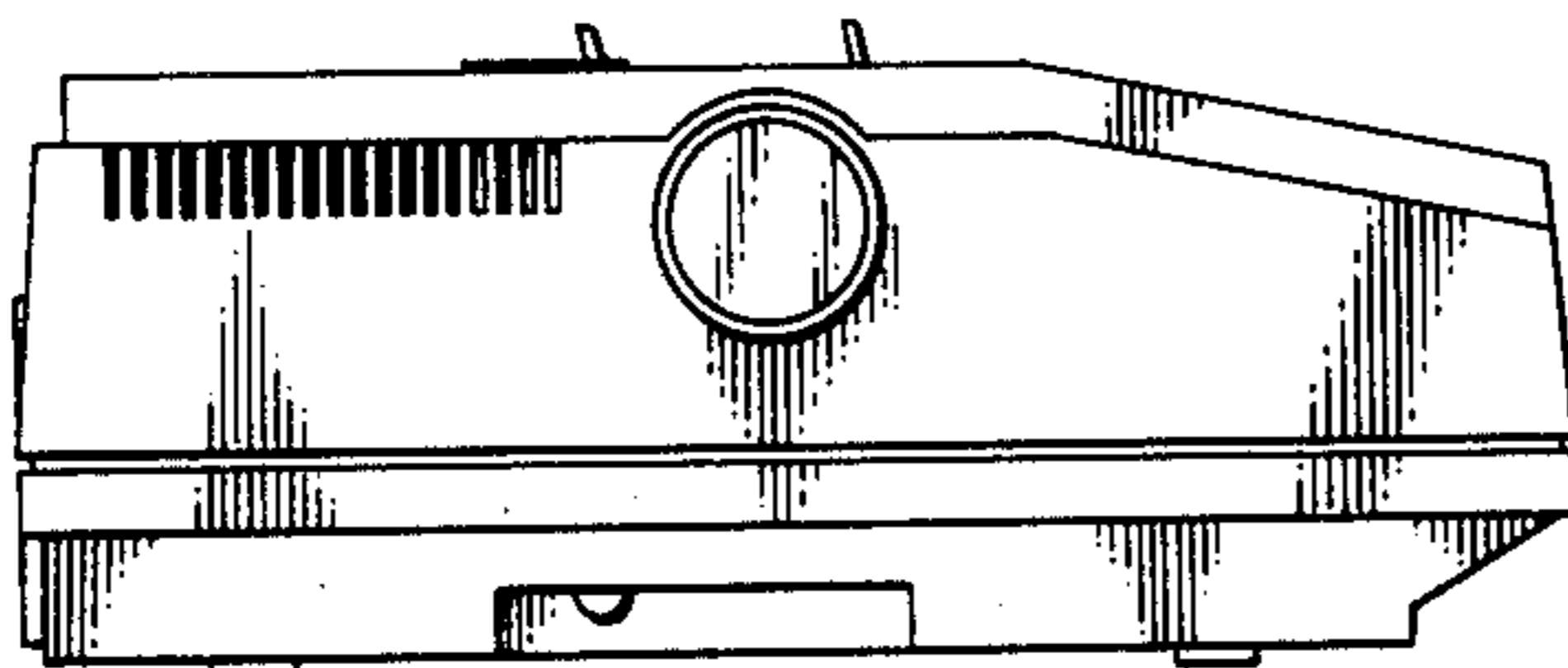


FIG.8

