

[54] GLASS MOUNTED ANTENNA

[75] Inventor: Tetsuo Shimazaki, Tokyo, Japan

[73] Assignee: Alliance Research Corporation,  
Chatsworth, Calif.

[\*\*] Term: 14 Years

[21] Appl. No.: 871,596

[22] Filed: Jun. 6, 1986

[52] U.S. Cl. .... D14/86

[58] Field of Search ..... D14/86-91,  
D14/99; 343/713, 715, 723, 739, 895, 844, 853

[56] References Cited

U.S. PATENT DOCUMENTS

D. 259,115	5/1981	Steinhofer et al. ....	D14/86
D. 285,444	9/1986	Newcomb .....	D14/86
4,621,243	11/1986	Harada .....	343/715 X
4,658,259	4/1987	Blaese .....	343/715

OTHER PUBLICATIONS

J. C. Whitney Co. Catalog 466 C, p. 21, bottom center,  
Antennas for all Cellular Mobile Telephones.

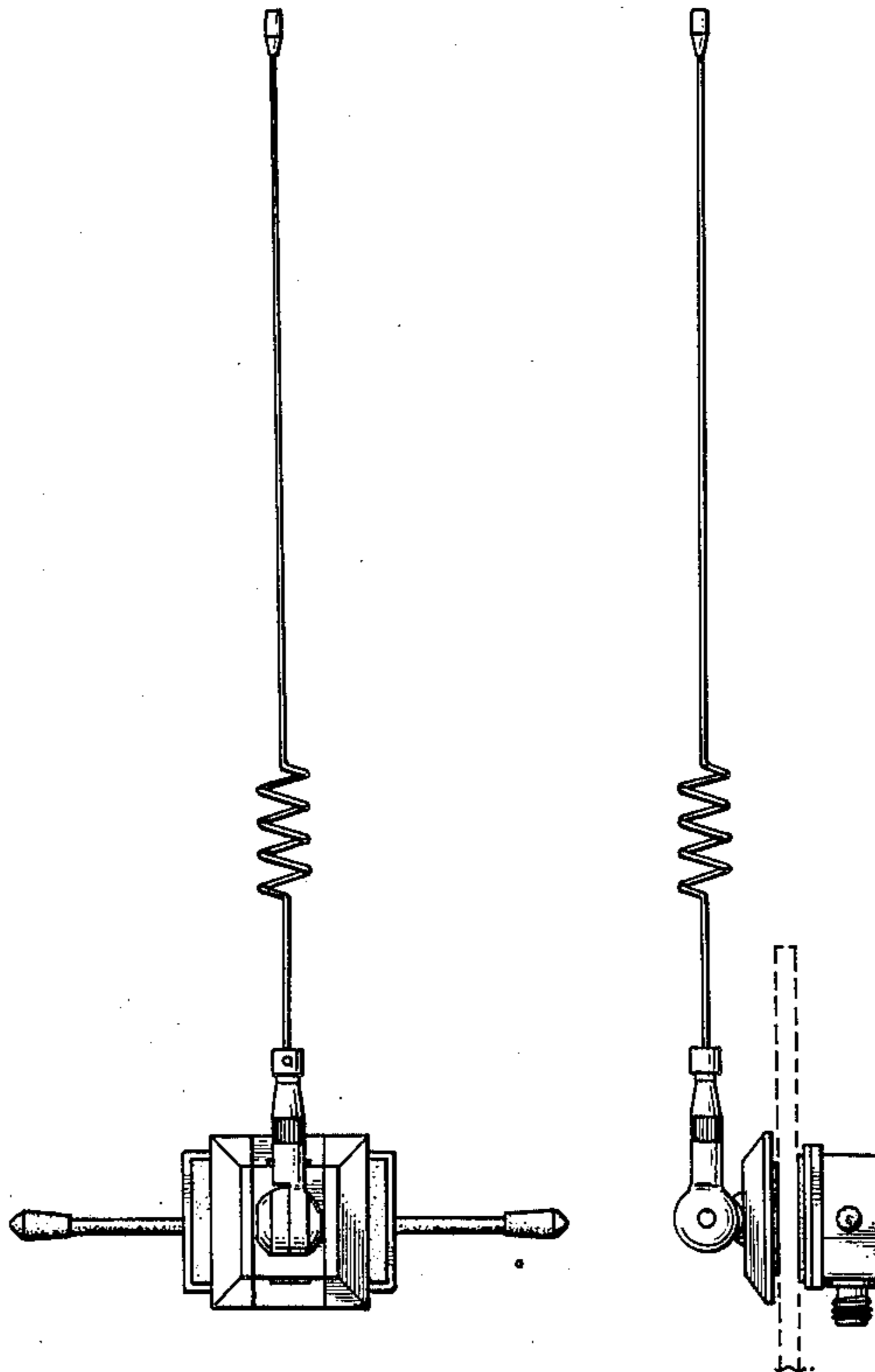
Primary Examiner—Bernard Ansher  
Assistant Examiner—Theodore M. Shooman  
Attorney, Agent, or Firm—Marvin H. Kleinberg;  
Matthew F. Jodziewicz

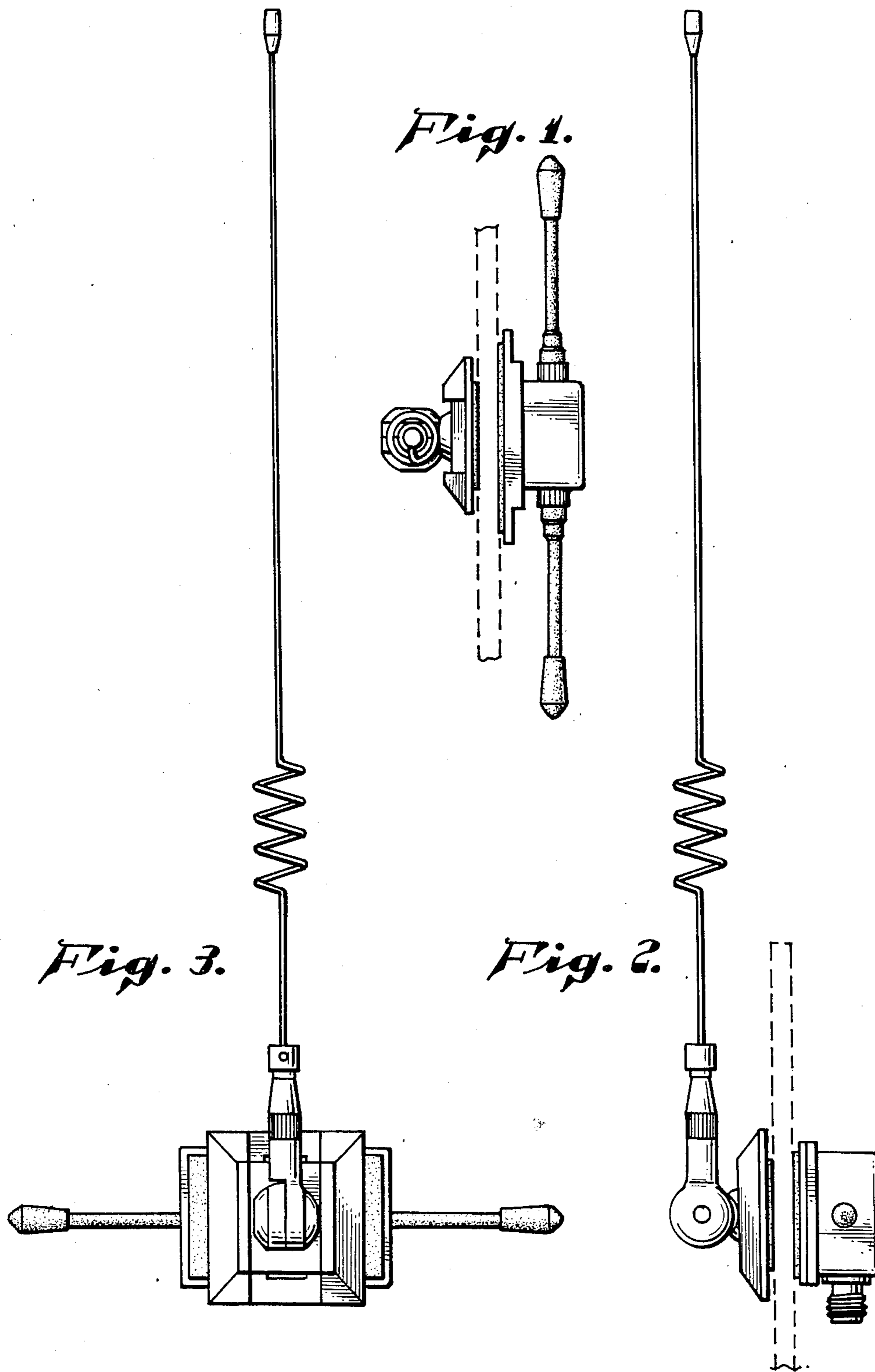
[57] CLAIM

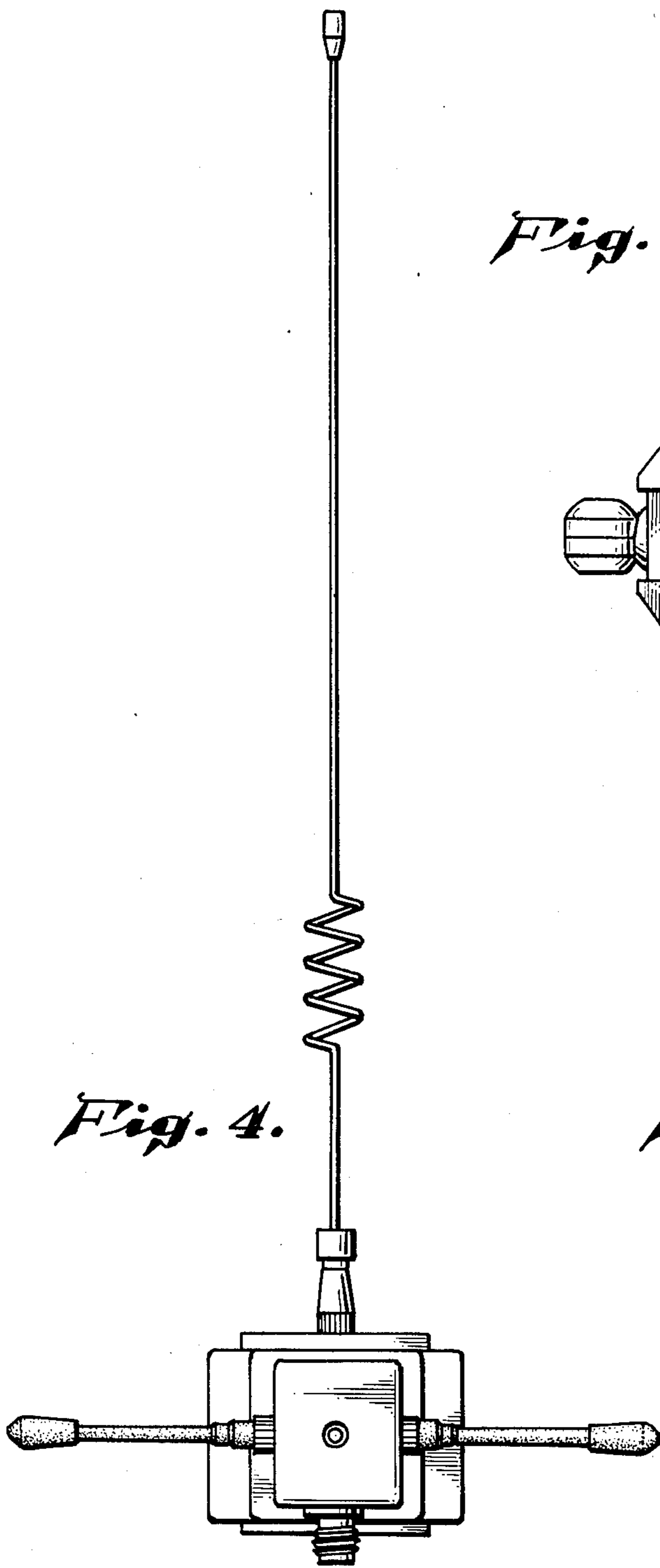
The ornamental design for a glass mounted antenna, as  
shown.

DESCRIPTION

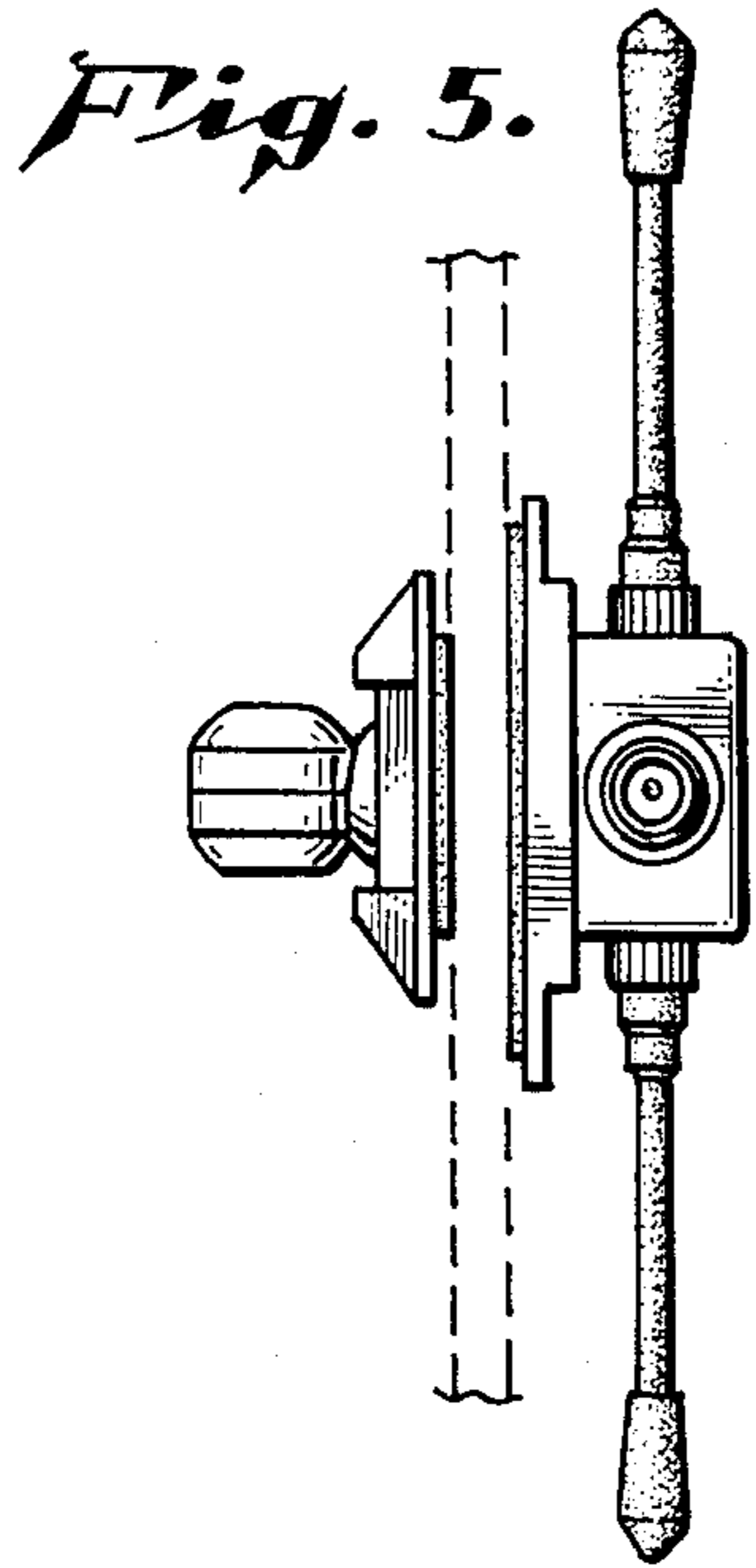
FIG. 1 is a top plan view of a glass mounted antenna  
showing my new design;  
FIG. 2 is a right side elevational view thereof;  
FIG. 3 is a front elevational view thereof;  
FIG. 4 is a rear elevational view thereof;  
FIG. 5 is a bottom plan view thereof; and  
FIG. 6 is a left side elevational view thereof.  
The broken line showings are for environmental pur-  
poses only and form no part of the claimed design.



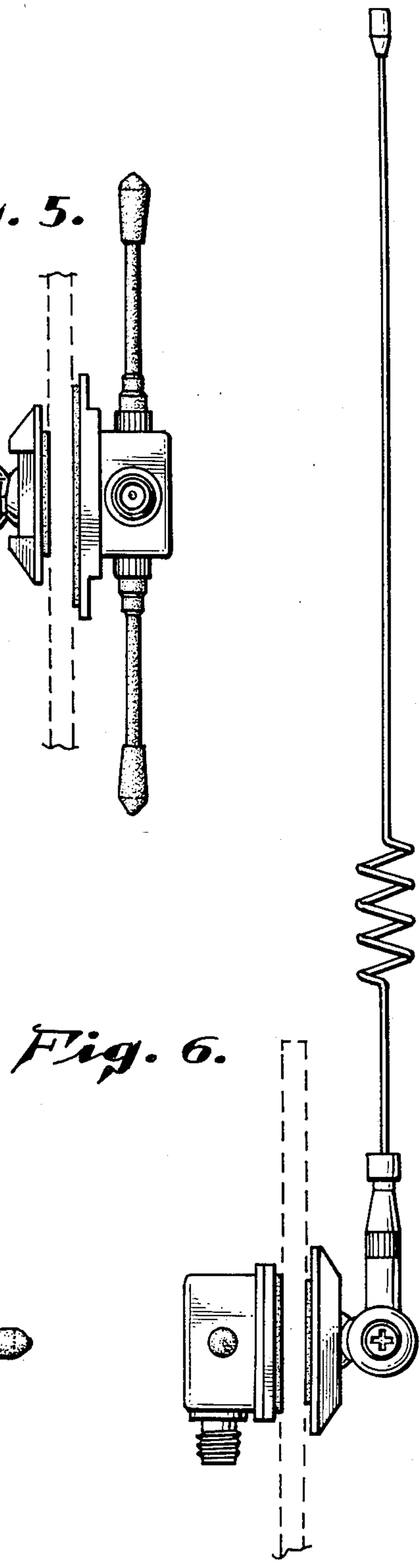




*Fig. 4.*



*Fig. 5.*



*Fig. 6.*