

[54] SUSPENDABLE SPEAKER

[76] Inventors: Philip H. Nelson, 42 Harmony Rd., Spring Valley, N.Y. 10977; William D. Quigley, 132 Oakridge Ave., Nutley, N.J. 07110

[**] Term: 14 Years

[21] Appl. No.: 758,308

[22] Filed: Jul. 24, 1985

[52] U.S. Cl. D14/34; D14/33

[58] Field of Search D14/30-37, D14/39; 381/90; 181/148, 150, 157, 199

[56] References Cited

U.S. PATENT DOCUMENTS

D. 181,855	1/1958	Hubner	D14/33
D. 211,180	5/1968	Boldt	D14/34
D. 217,354	4/1970	Lane	D14/33
D. 270,444	9/1983	Matsuda et al.	D14/33
D. 292,702	11/1987	White et al.	D14/30 X
4,082,159	4/1978	Petty	181/199 X

Primary Examiner—Bernard Ansher
Assistant Examiner—Theodore M. Shooman
Attorney, Agent, or Firm—Ralph R. Roberts; Patrick J. Pinto

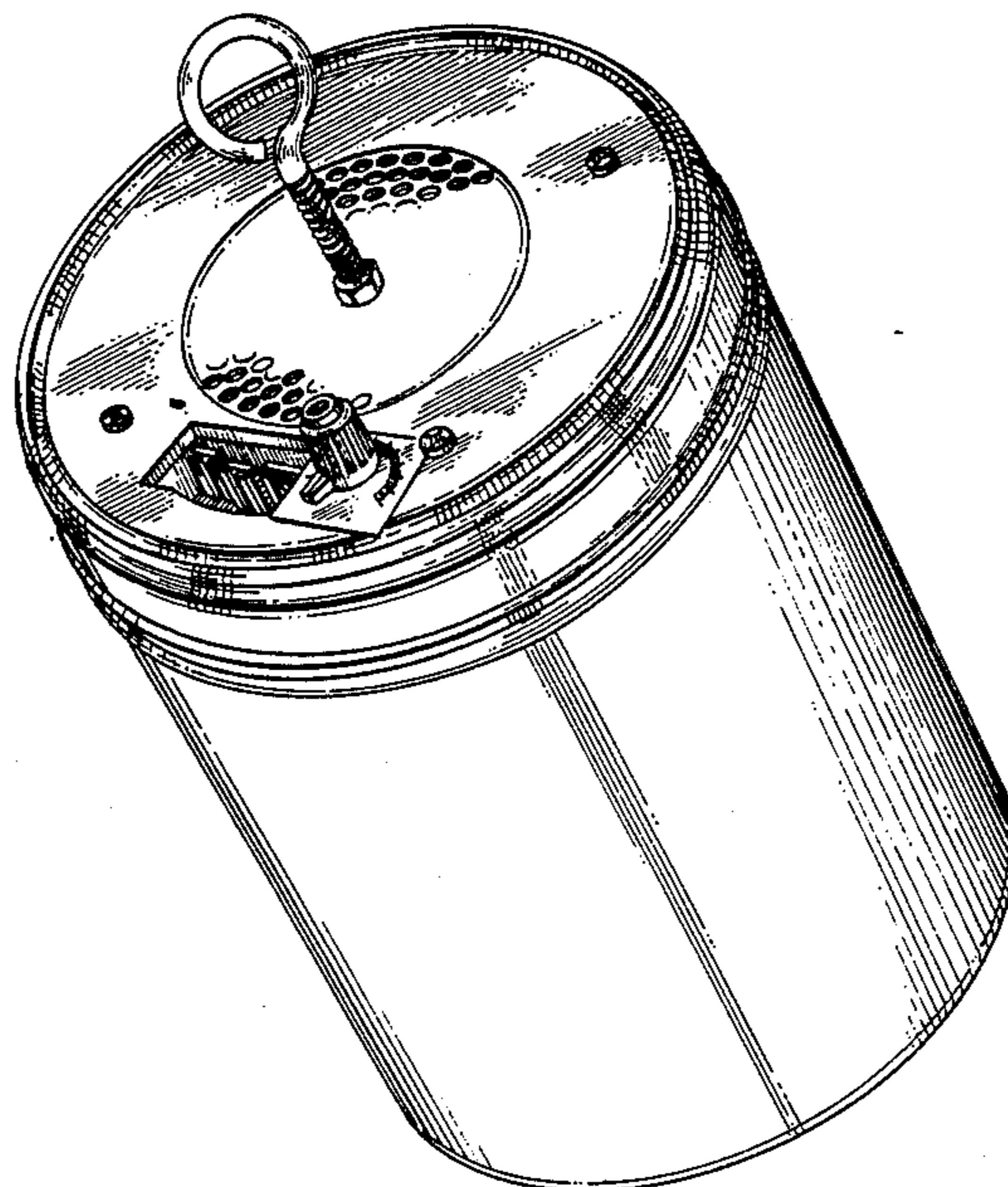
[57] CLAIM

The ornamental design for suspendable speaker, as shown and described.

DESCRIPTION

FIG. 1 is a top and front isometric view of a suspendable speaker showing our new design; FIG. 2 is a top plan view thereof; FIG. 3 is a side elevational view thereof; FIG. 4 is a front elevational view thereof; FIG. 5 is a side elevational view thereof, shown with part of the side wall broken away; and FIG. 6 is a sectional view thereof, taken along line 6—6 of FIG. 5.

The bottom of the speaker is plain and unornamented. The broken line showing of the chain in FIG. 5 is for illustrative purposes only and forms no part of the claimed design.



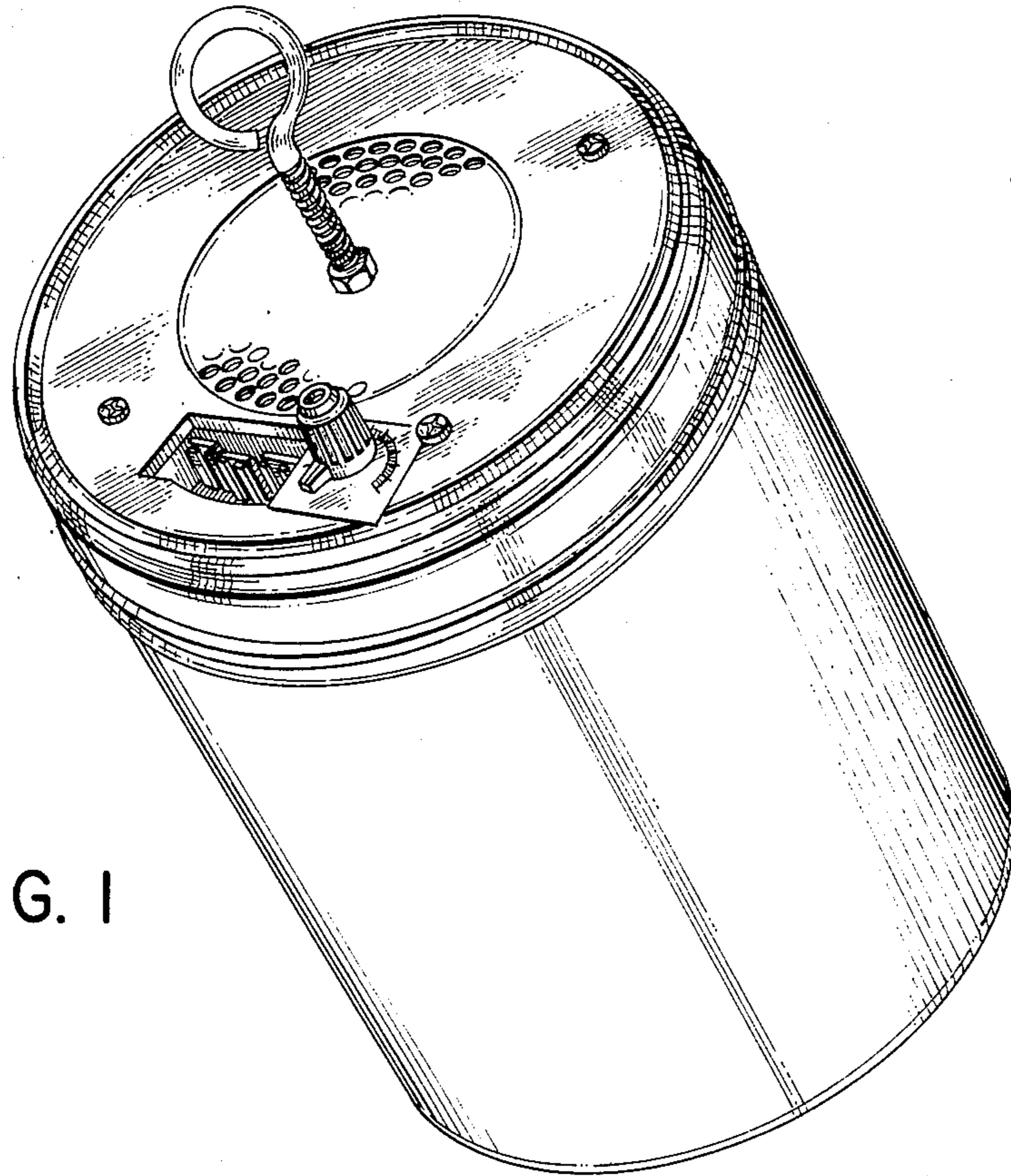


FIG. 1

FIG. 2

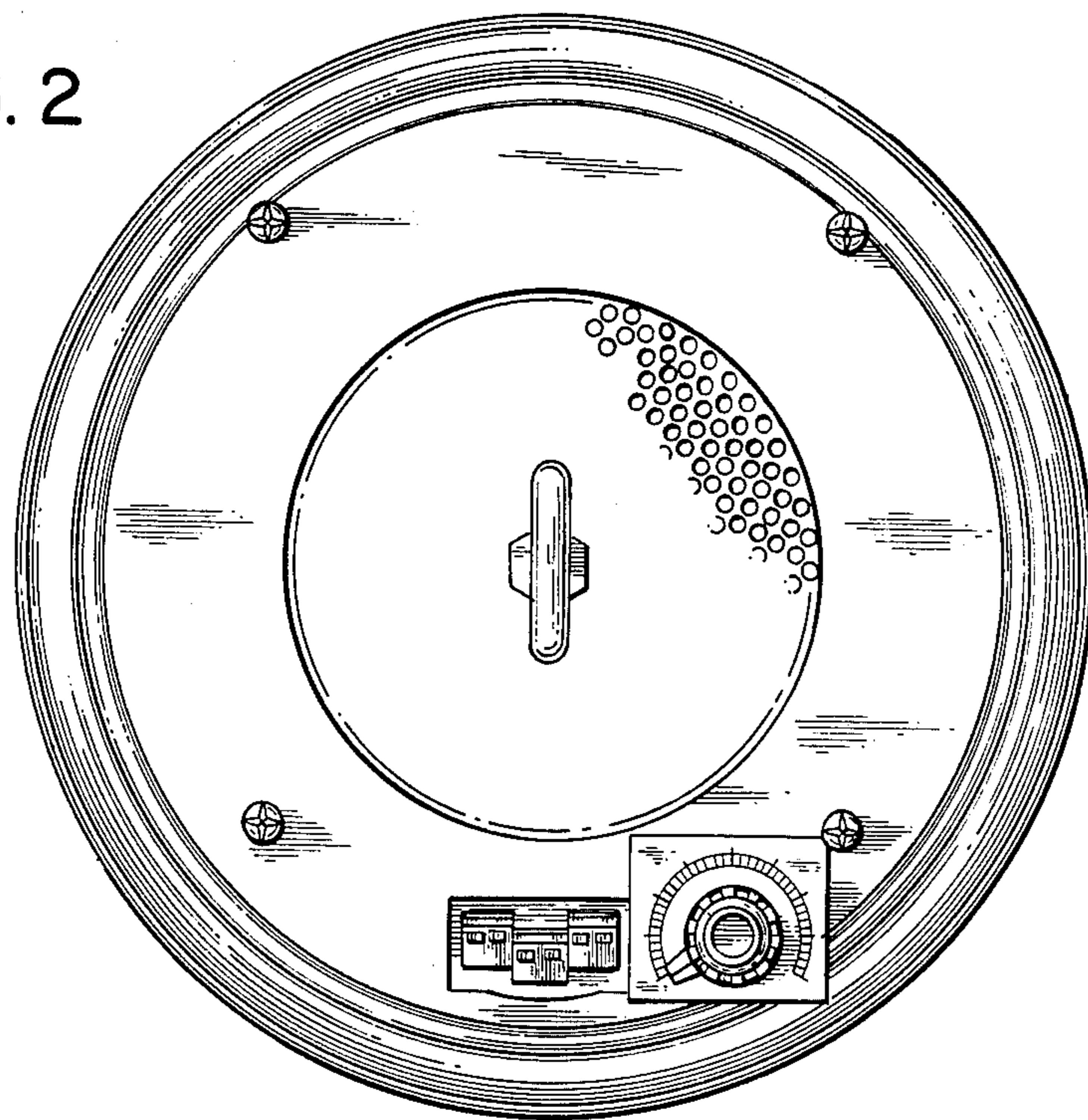


FIG. 3

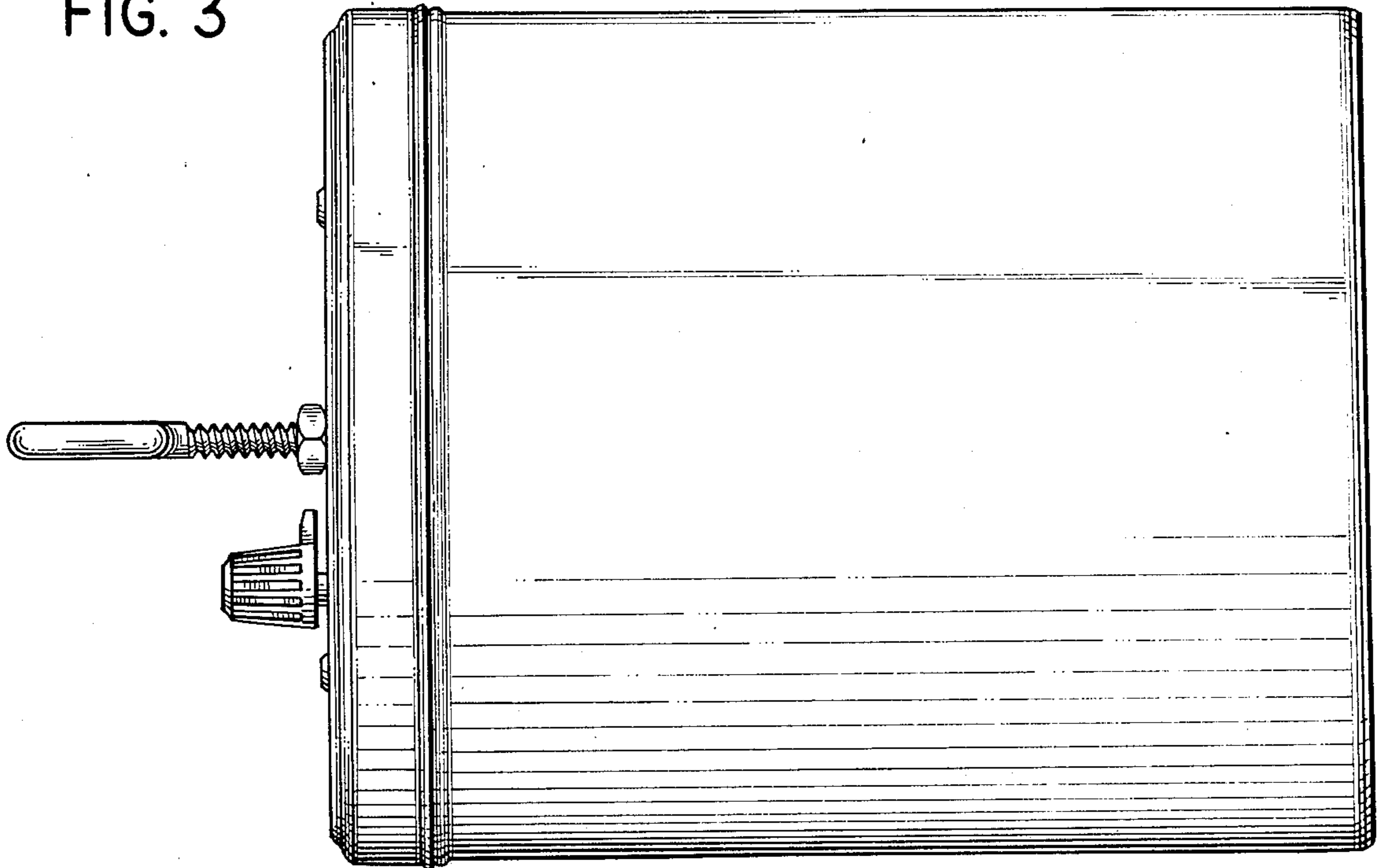


FIG. 4

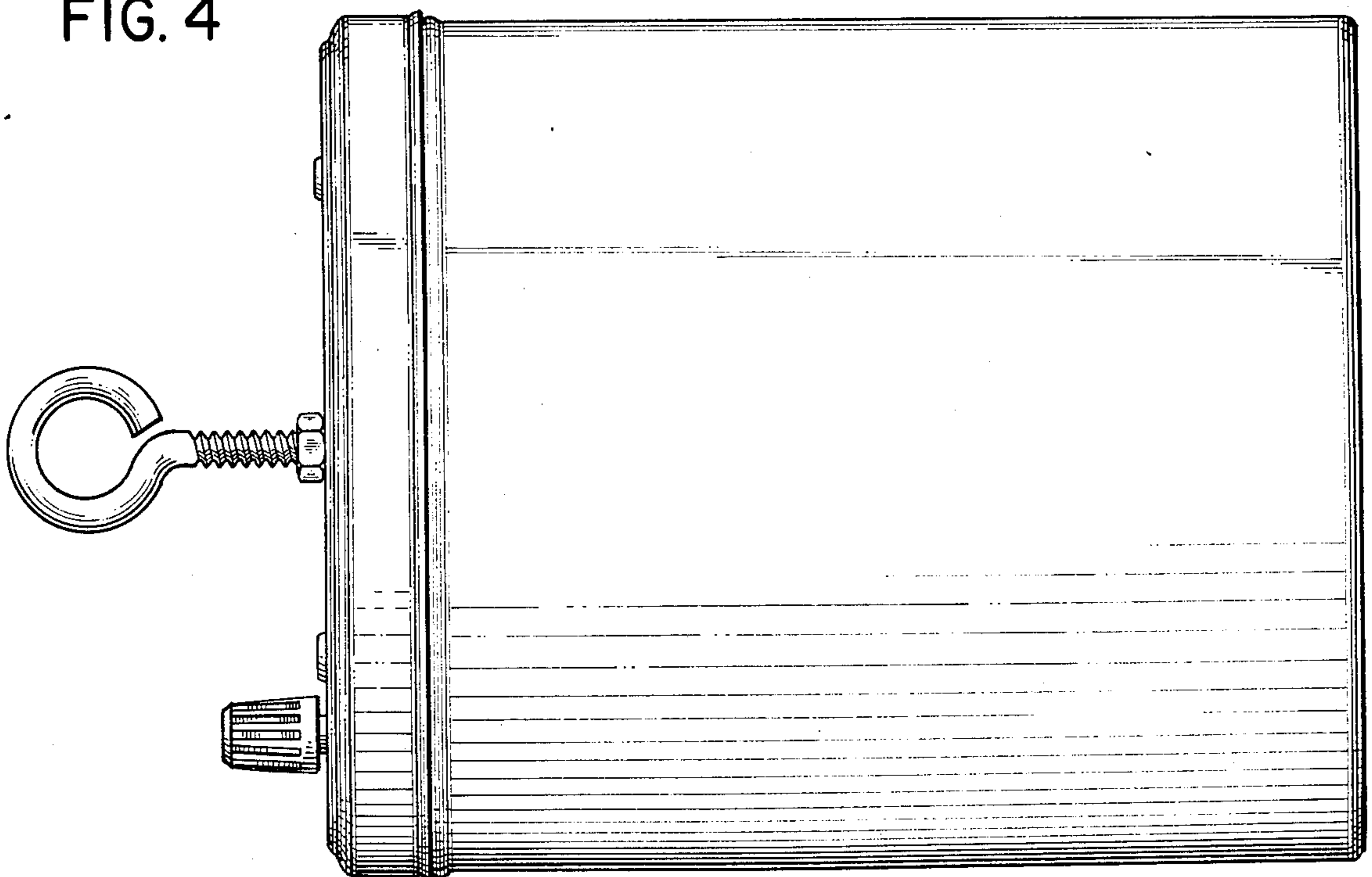


FIG. 5

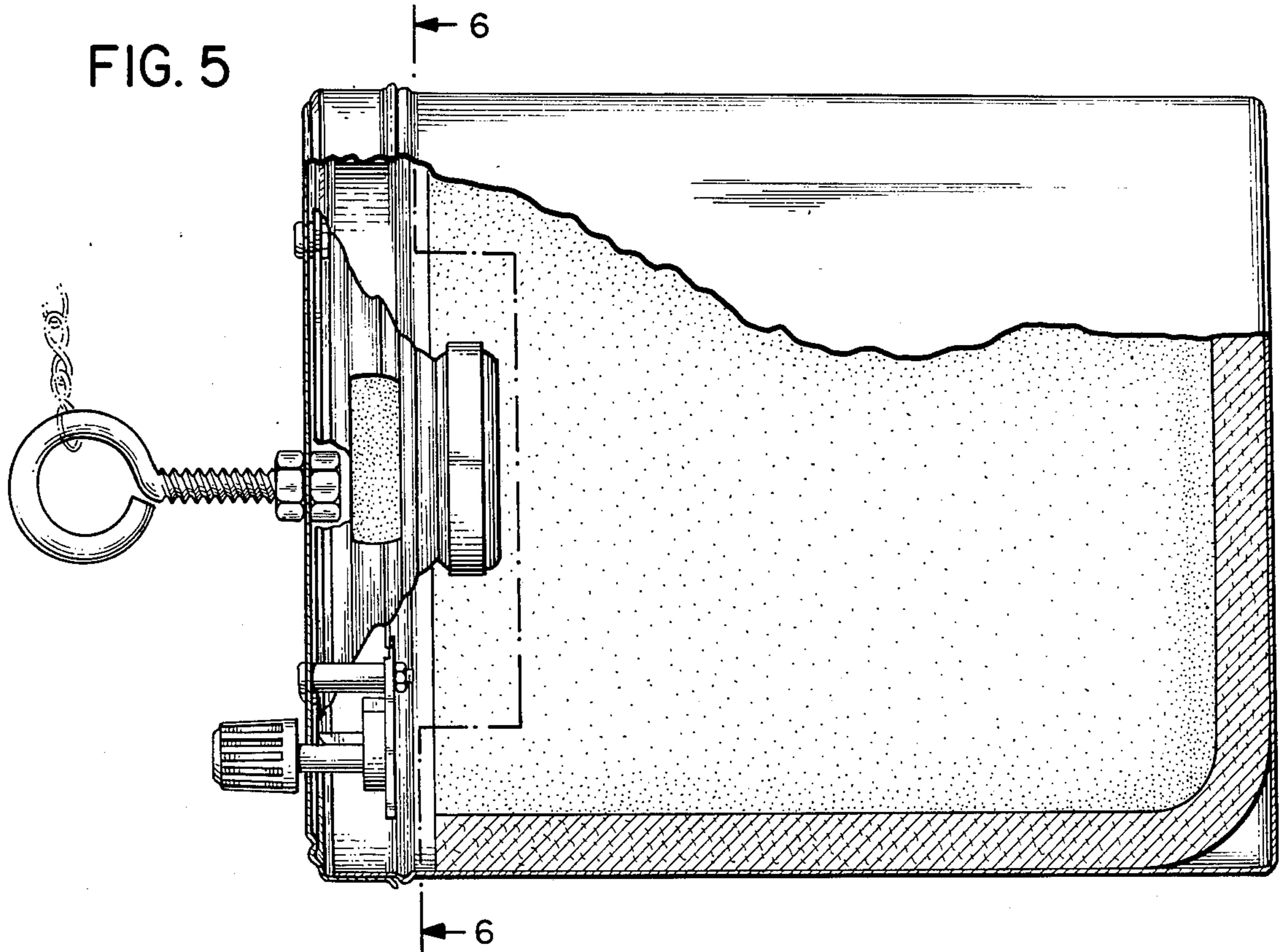


FIG. 6

