

[54] LOUDSPEAKER HOUSING FOR VEHICLES

[76] Inventor: Leo Koppelomäki, Almgatan 23, 333 00 SmÅlandsstenar, Sweden

[**] Term: 14 Years

[21] Appl. No.: 661,074

[22] Filed: Oct. 15, 1984

[30] Foreign Application Priority Data

Apr. 25, 1984 [SE] Sweden 84-1329

[52] U.S. Cl. D14/34; D14/33

[58] Field of Search D14/30, 32, 33, 34, D14/39, 68, 69, 71, 72, 73, 75, 76, 99; D12/155

[56] References Cited

U.S. PATENT DOCUMENTS

- D. 210,013 1/1968 Osberg D12/155
- D. 211,333 6/1968 Graham D12/155 X
- D. 250,711 1/1979 Persson et al. D12/155 X
- D. 260,507 9/1981 Kosugi et al. D12/155

4,079,987 3/1978 Bumgardener D12/155 X

Primary Examiner—Bernard Ansher
Assistant Examiner—Theodore M. Shooman
Attorney, Agent, or Firm—Burns, Doane, Swecker & Mathis

[57] CLAIM

The ornamental design loudspeaker housing for vehicles, as shown.

DESCRIPTION

FIG. 1 is a bottom and side perspective view of a loudspeaker housing for vehicles showing my new design; FIG. 2 is a top and side perspective view thereof; FIG. 3 is a bottom and side perspective view of a second embodiment of the loudspeaker housing illustrated in FIG. 1; and

FIG. 4 is a top and side perspective view of the embodiment disclosed in FIG. 3.

The broken lines showing of the speaker elements is for illustrative purposes only and forms no part of the claimed design.

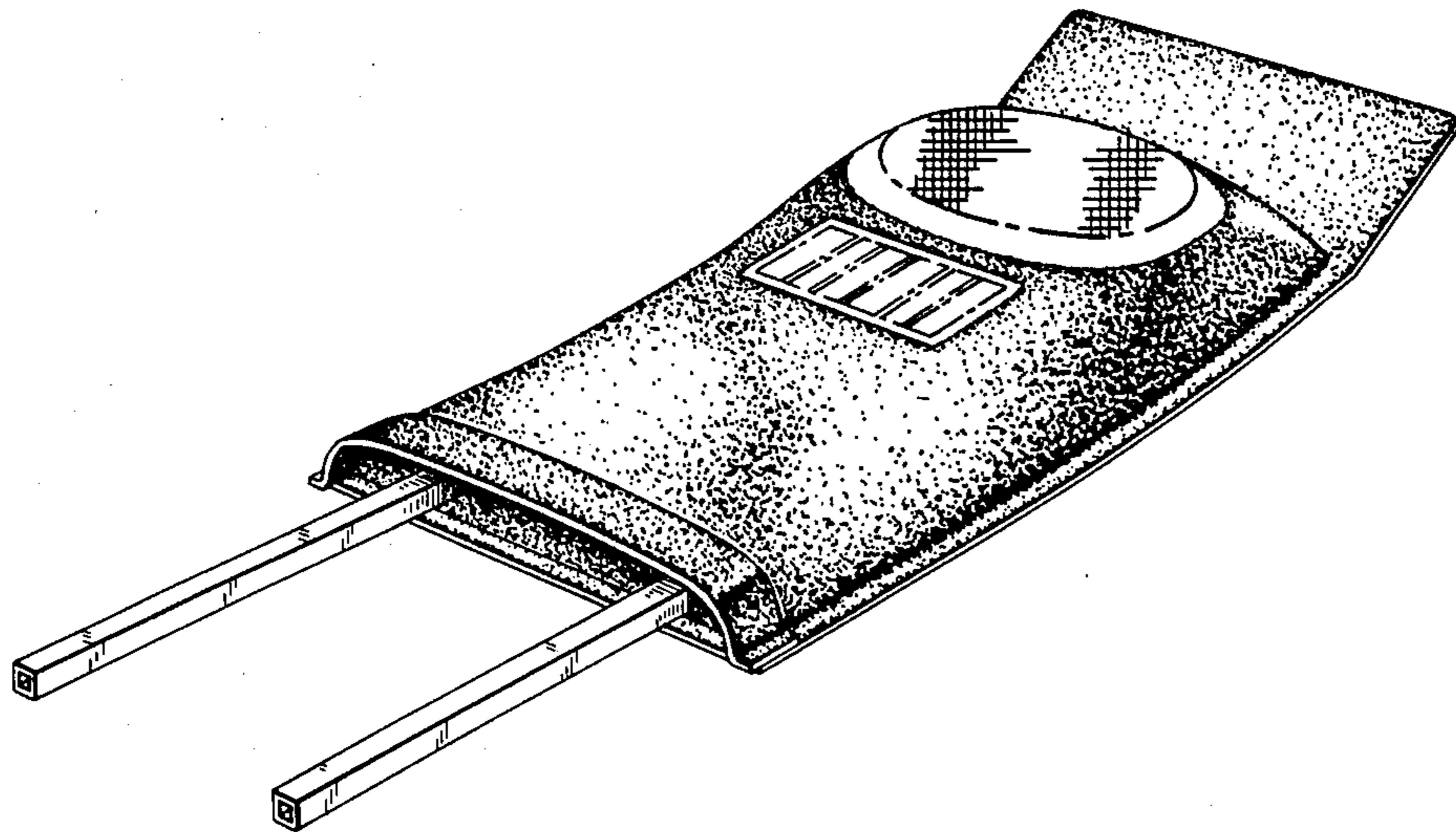


Fig. 1

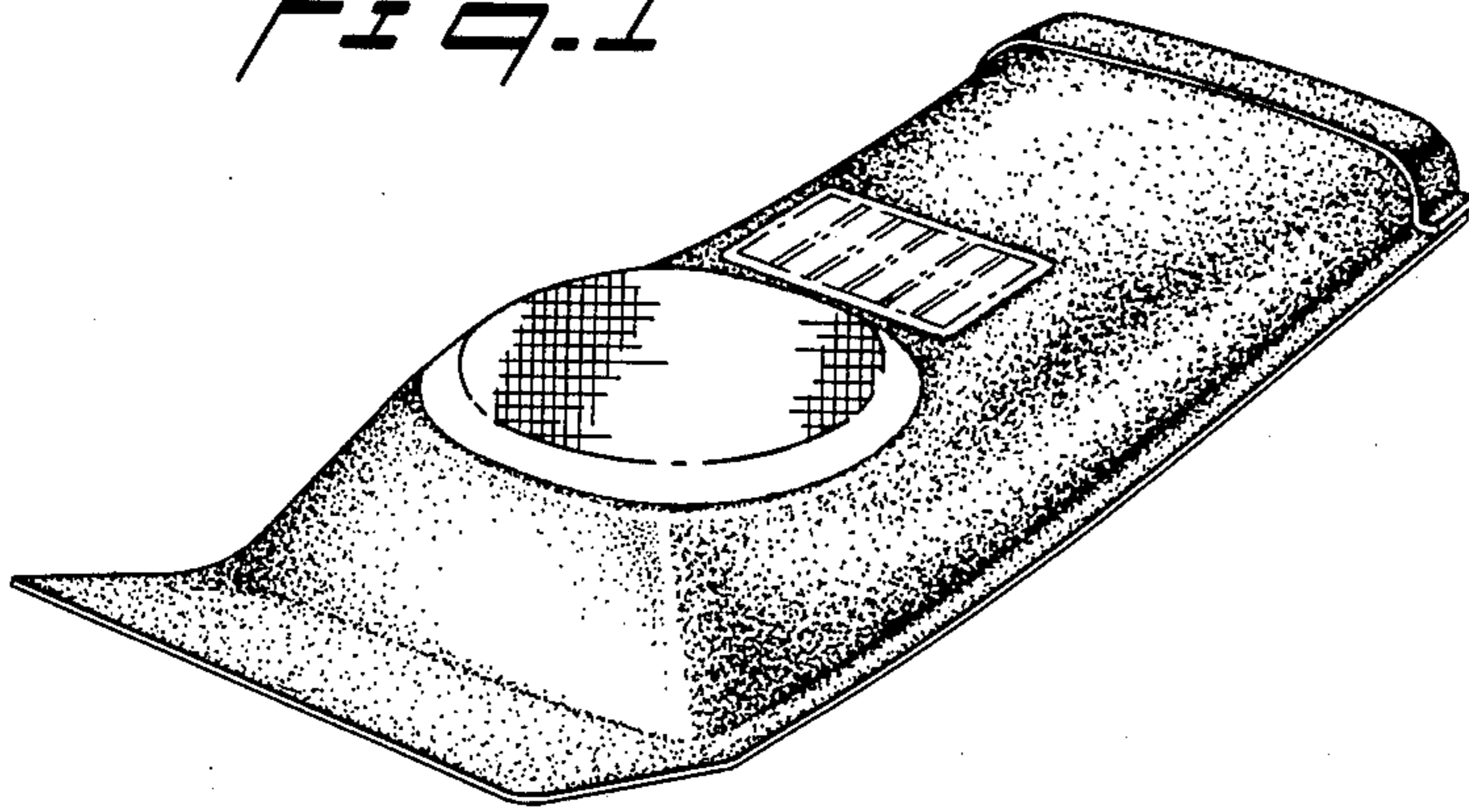


Fig. 2

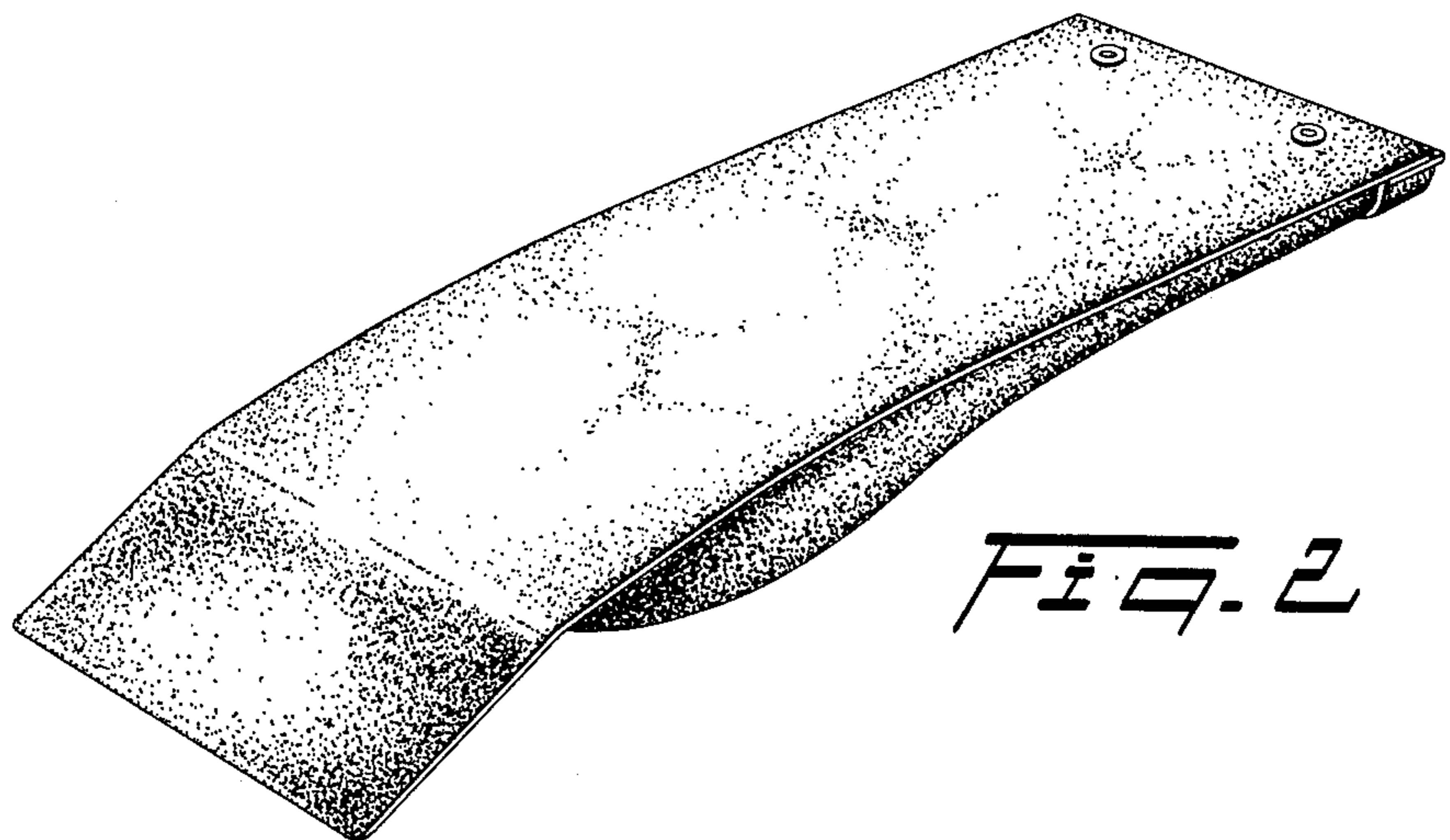


Fig. 3

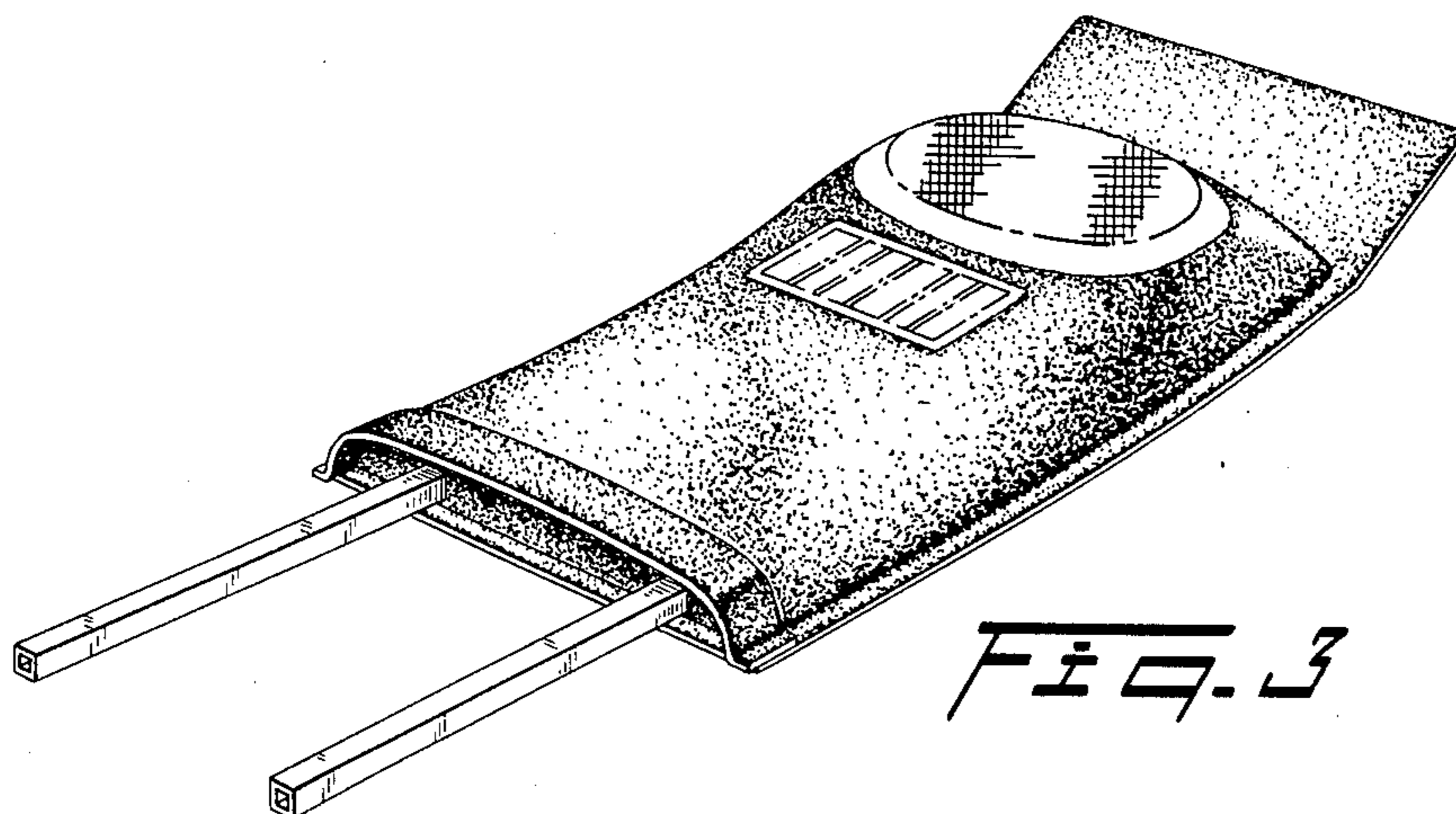


FIG. 4

