

[54] **OVERHEAD CONSOLE**

[75] **Inventor: Michael J. Cody, Holland, Mich.**

[73] **Assignee: Prince Corporation, Holland, Mich.**

[**] **Term: 14 Years**

[21] **Appl. No.: 910,186**

[22] **Filed: Sep. 22, 1986**

[52] **U.S. Cl. D12/155**

[58] **Field of Search D12/155, 192; D14/33;
180/90; 296/37.7; 181/141, 148**

[56] **References Cited**

U.S. PATENT DOCUMENTS

D. 250,711 1/1979 Persson et al. D12/155

OTHER PUBLICATIONS

J. C. Whitney catalog No. 349, ©1976, p. 24, Stereo Entertainment Console for Mounting on Roof Panel, bottom center of page.

J. C. Whitney catalog No. 468k, p. 15, Overhead

Speaker Console, second box down from top right side of page.

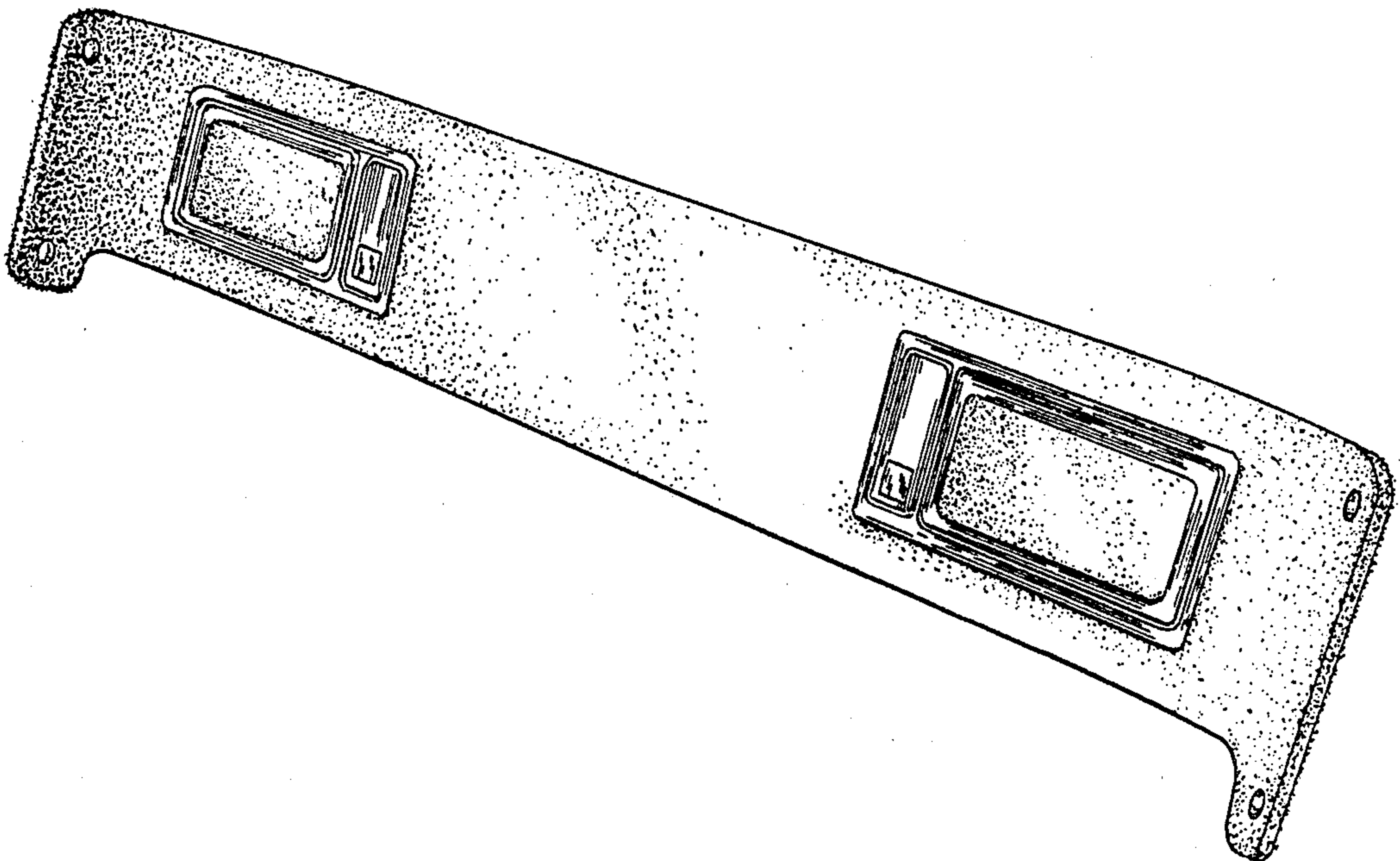
Primary Examiner—James M. Gandy
Attorney, Agent, or Firm—Price, Heneveld, Cooper, DeWitt & Litton

[57] **CLAIM**

The ornamental design for an overhead console, as shown.

DESCRIPTION

FIG. 1 is a bottom plan view of the overhead console; FIG. 2 is a rear elevational view of the overhead console; FIG. 3 is a front elevational view of the overhead console; FIG. 4 is a perspective view of the overhead console; FIG. 5 is an enlarged left side elevational view of the overhead console; FIG. 6 is an enlarged right side elevational view of the overhead console; and FIG. 7 is a top plan view of the overhead console.



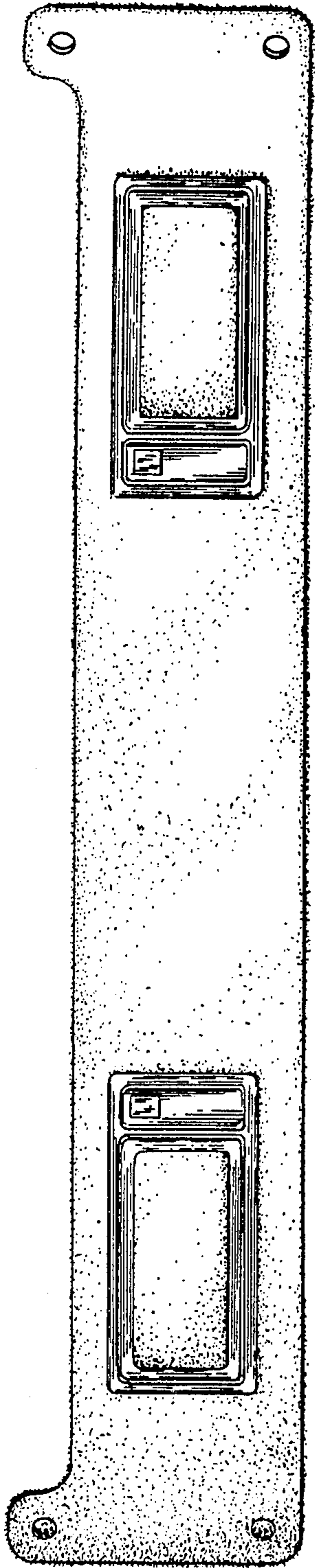


Fig. 1.

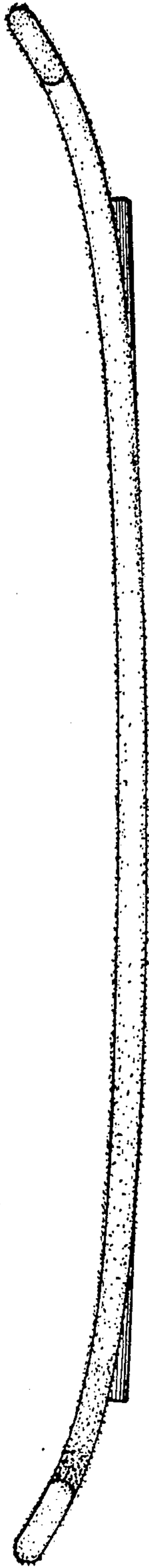


Fig. 2.



Fig. 3.

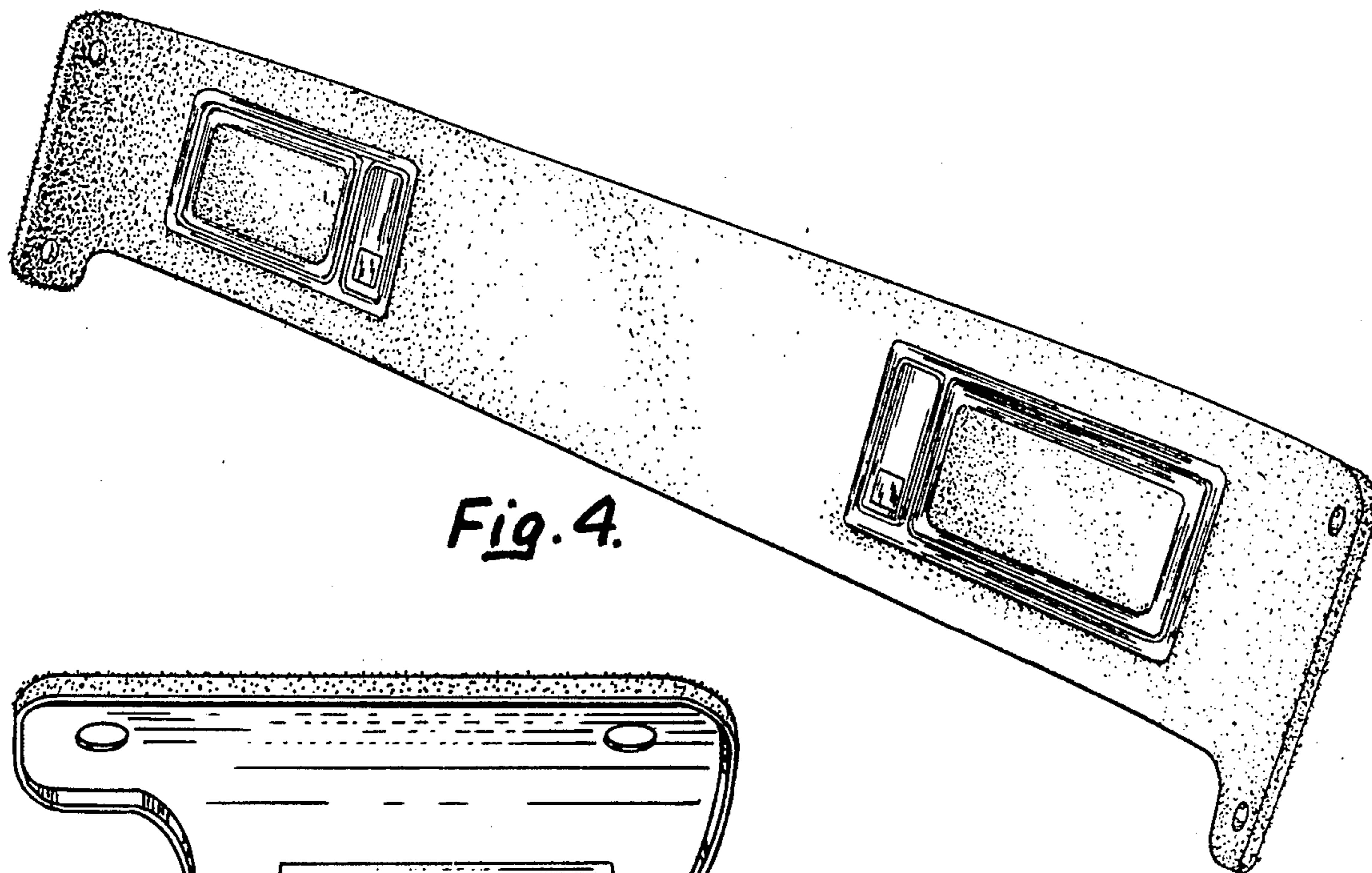


Fig. 4.

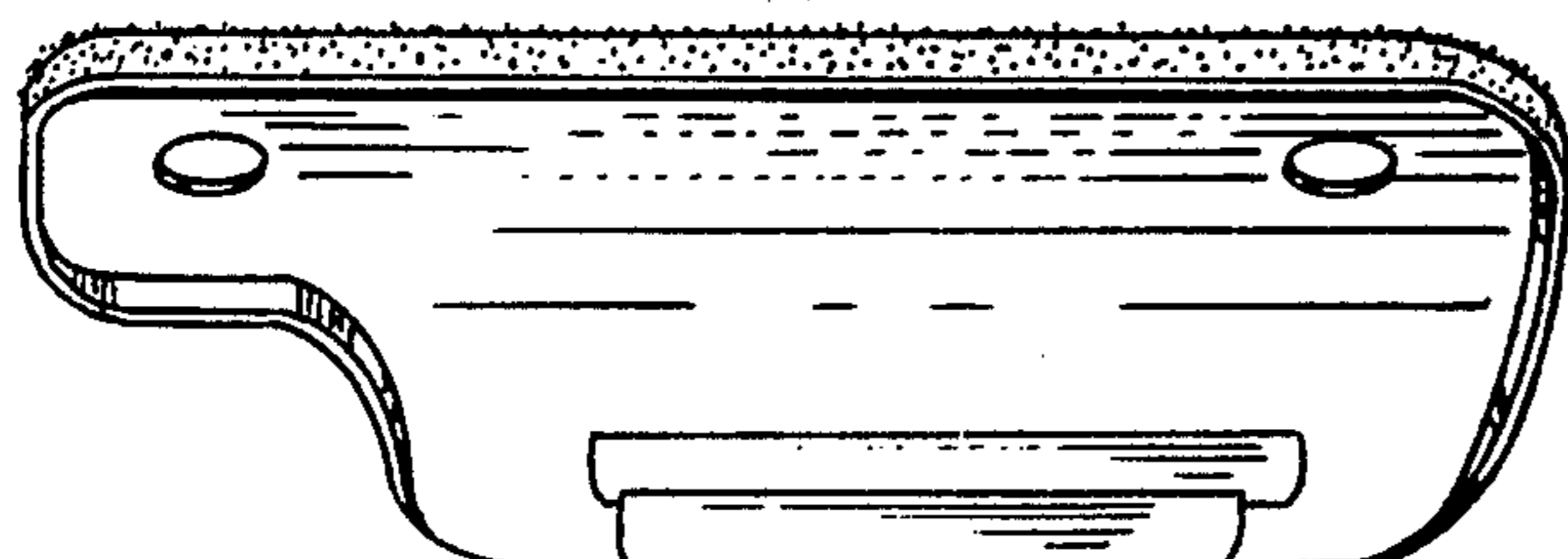


Fig. 5.

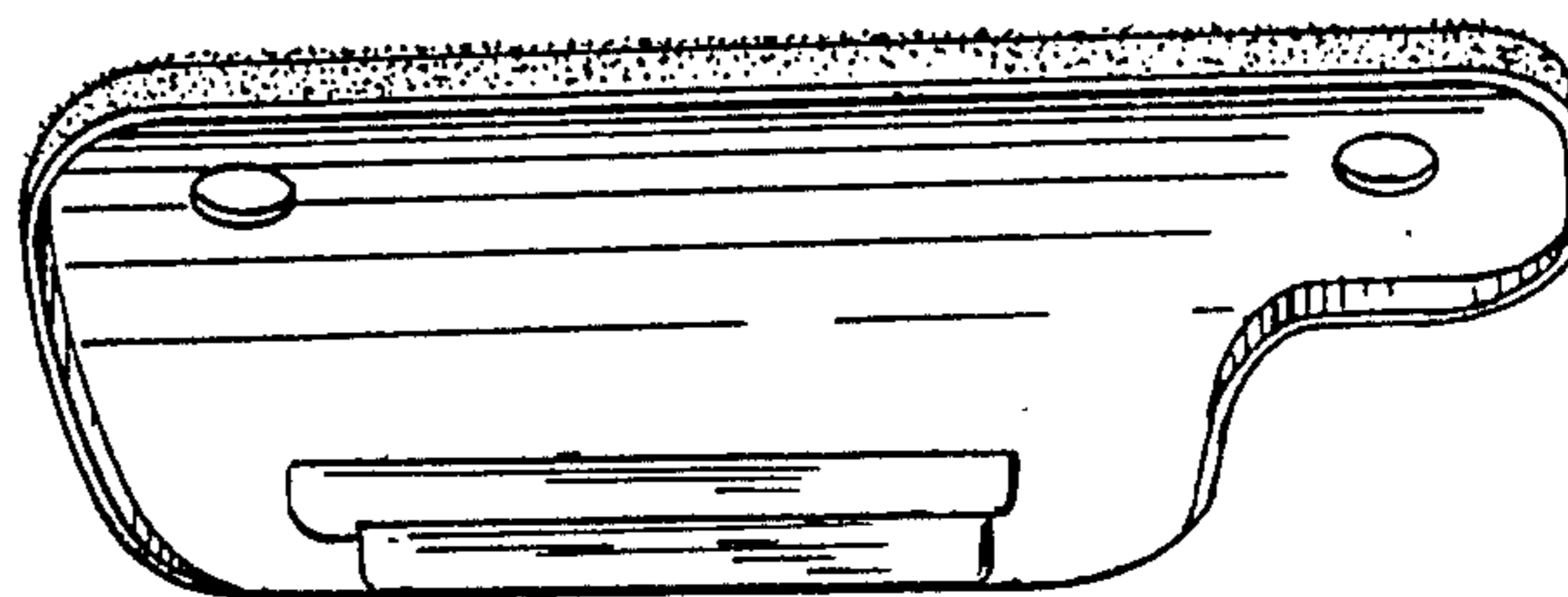


Fig. 6.

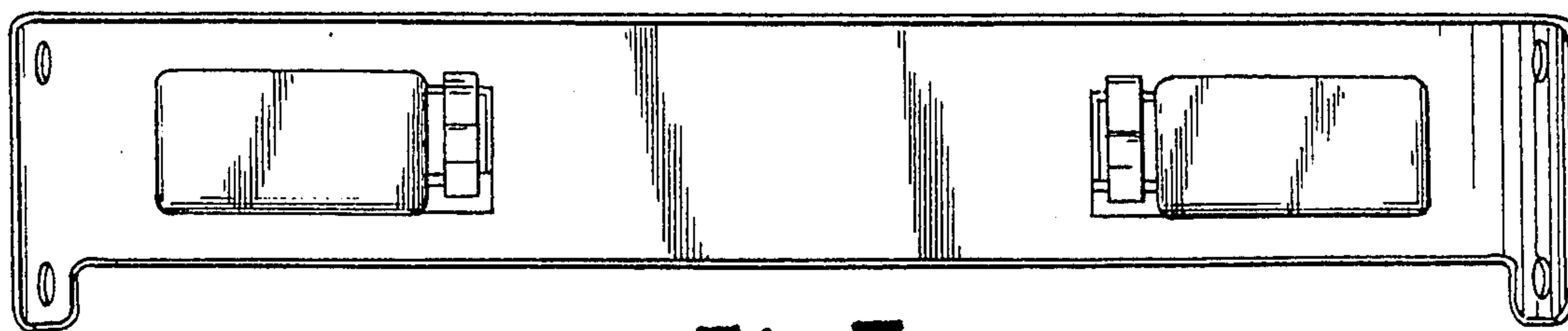


Fig. 7.