

[54] FLORAL SUPPORT

[76] Inventor: Carole F. Littlefield, Shennamere Rd., Darien, Conn. 06820

[\*\*] Term: 14 Years

[21] Appl. No.: 878,137

[22] Filed: Jun. 25, 1986

[52] U.S. Cl. .... D11/147

[58] Field of Search ..... D11/146, 147; 47/41.13

[56] References Cited

U.S. PATENT DOCUMENTS

D. 89,690	4/1933	Field	.....	D11/147
D. 103,769	3/1937	Spencer	.....	D11/147
D. 194,506	2/1963	Laan	.....	D11/147
D. 194,507	2/1963	Saxe	.....	D11/147
2,057,856	10/1936	Stone	.....	47/41.13
3,245,175	4/1966	Klingberg	.....	47/41.13

3,768,202	10/1973	Wheelock	.....	47/41.13
3,962,826	6/1976	Kienlen et al.	.....	47/41.13

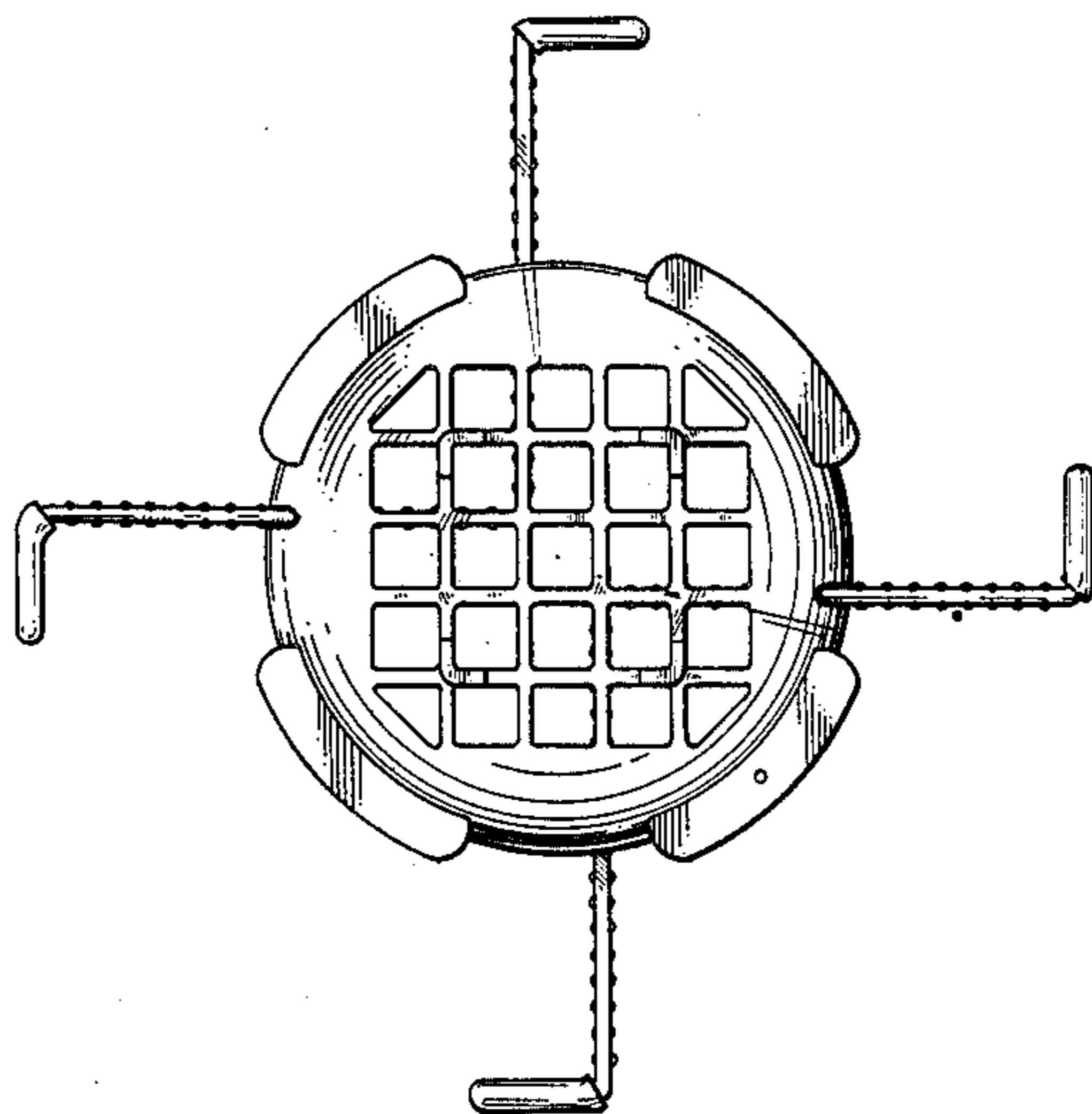
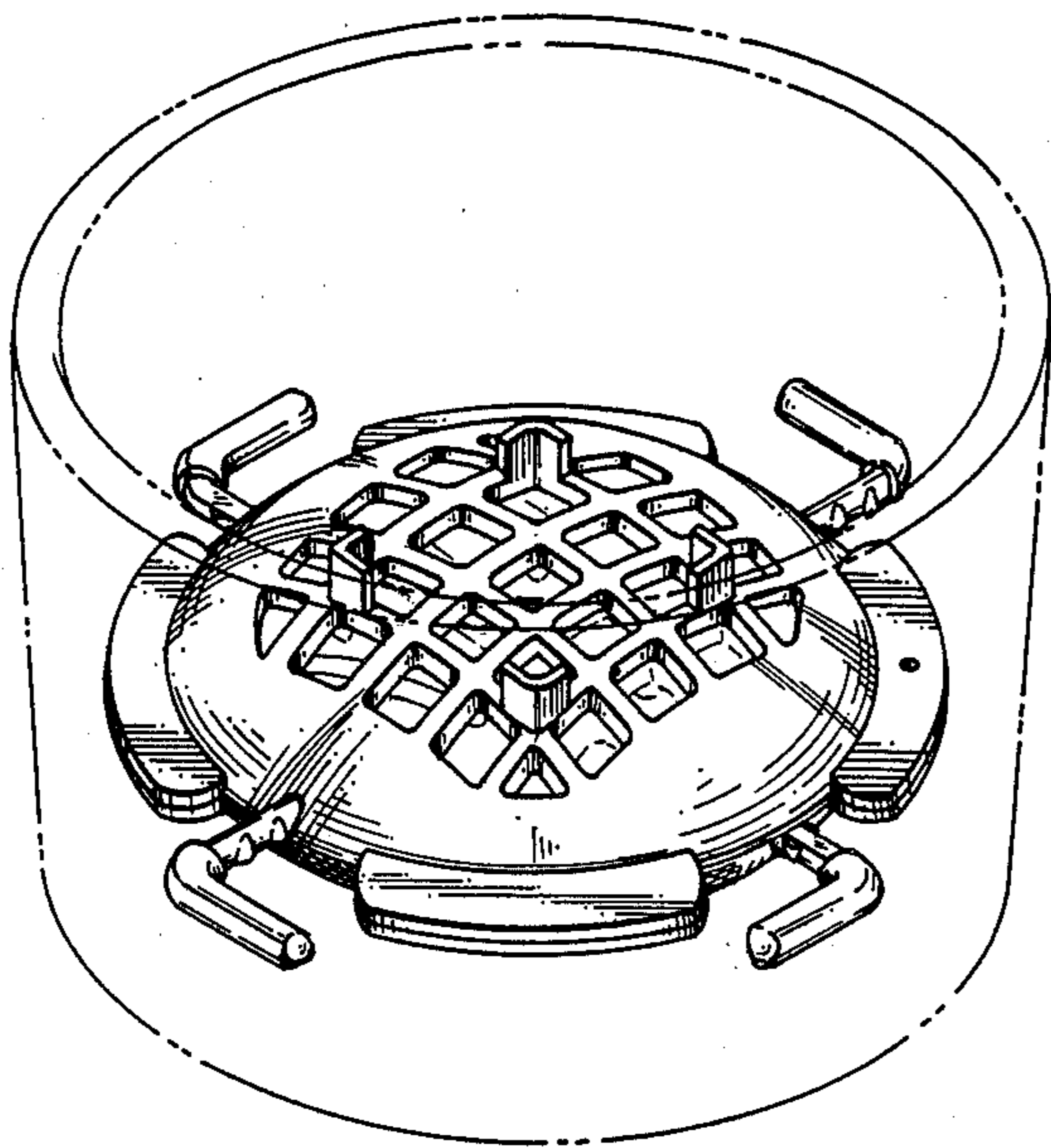
Primary Examiner—B. J. Bullock  
Attorney, Agent, or Firm—St. Onge Steward Johnston & Reens

[57] CLAIM

The ornamental design for a floral support, as shown and described.

DESCRIPTION

FIG. 1 is a perspective view of a floral support showing my new design, the container being shown in broken lines for illustrative purposes only;  
FIG. 2 is a top plan view thereof, the bottom being a mirror image;  
FIG. 3 is a side elevational view thereof, all sides being identical;  
FIG. 4 is a top plan view with the support arms extended.



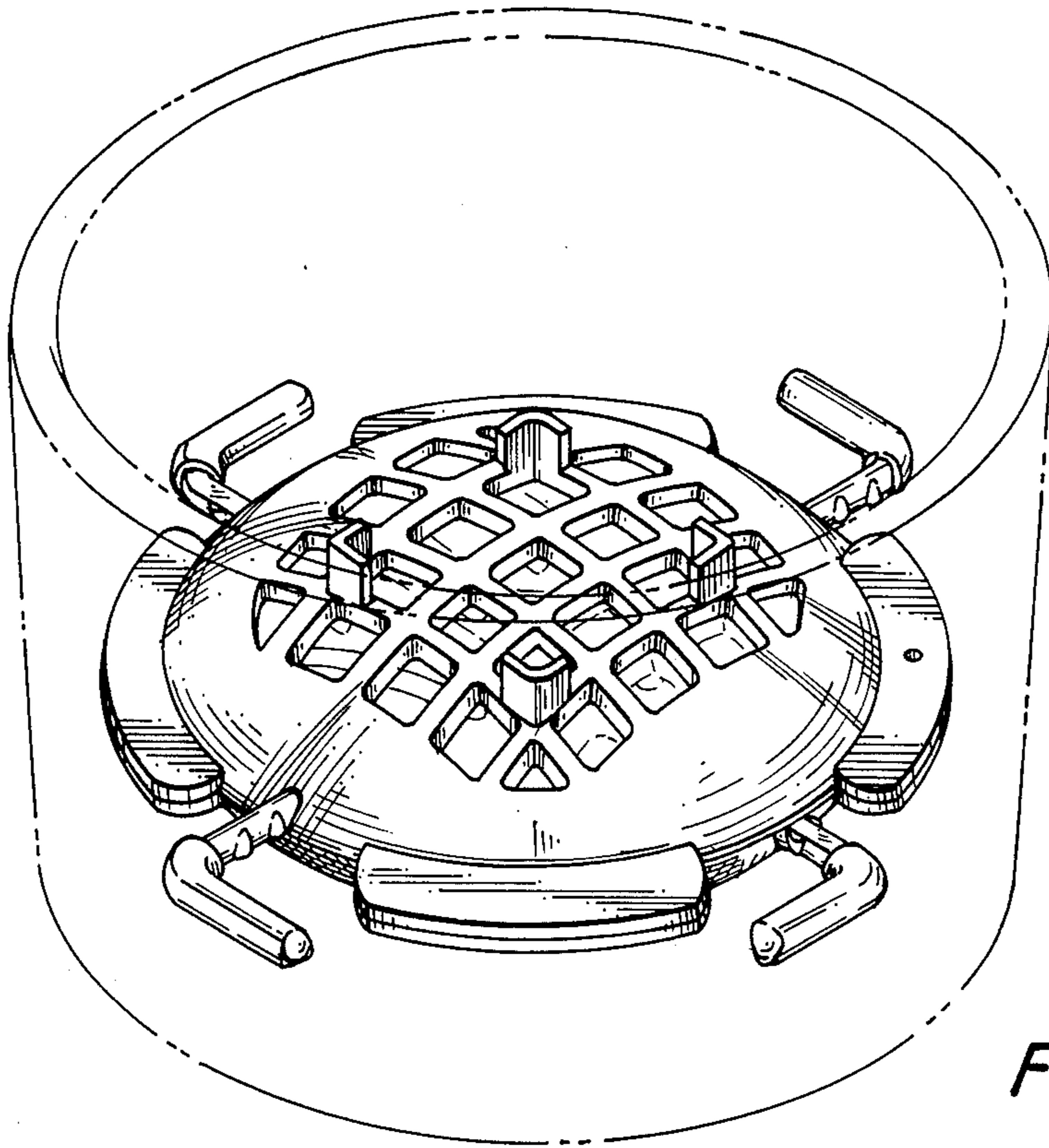


FIG. 1

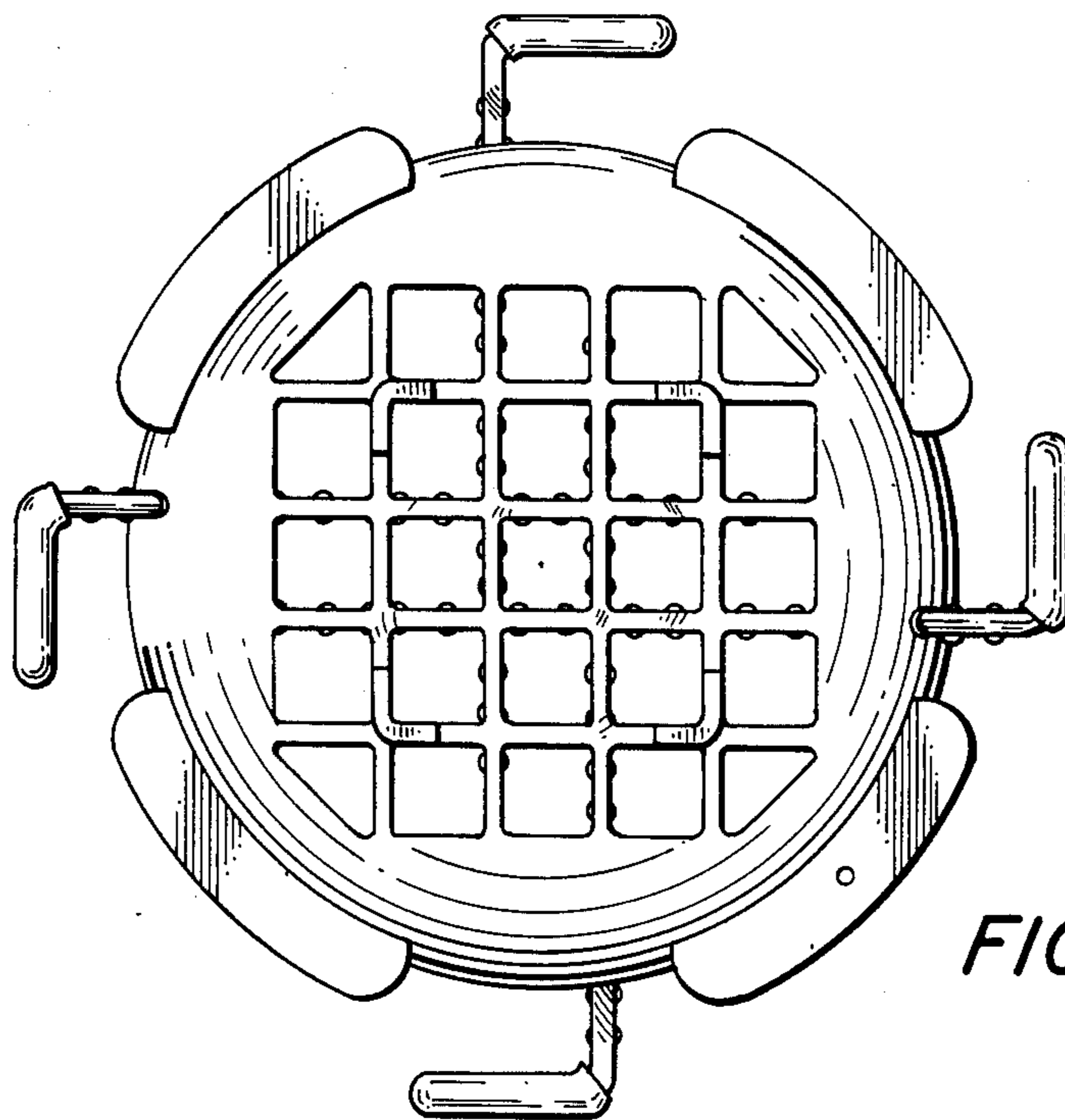


FIG. 2

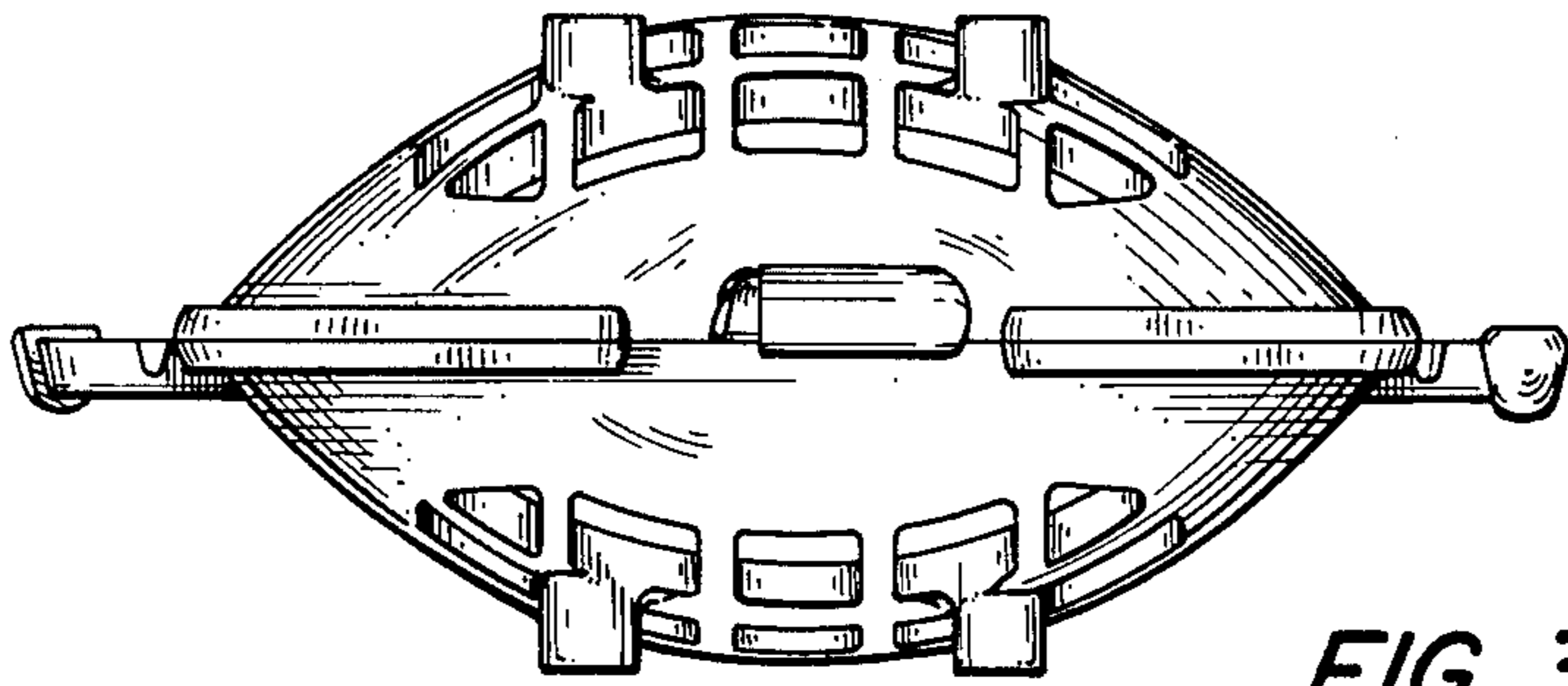


FIG. 3

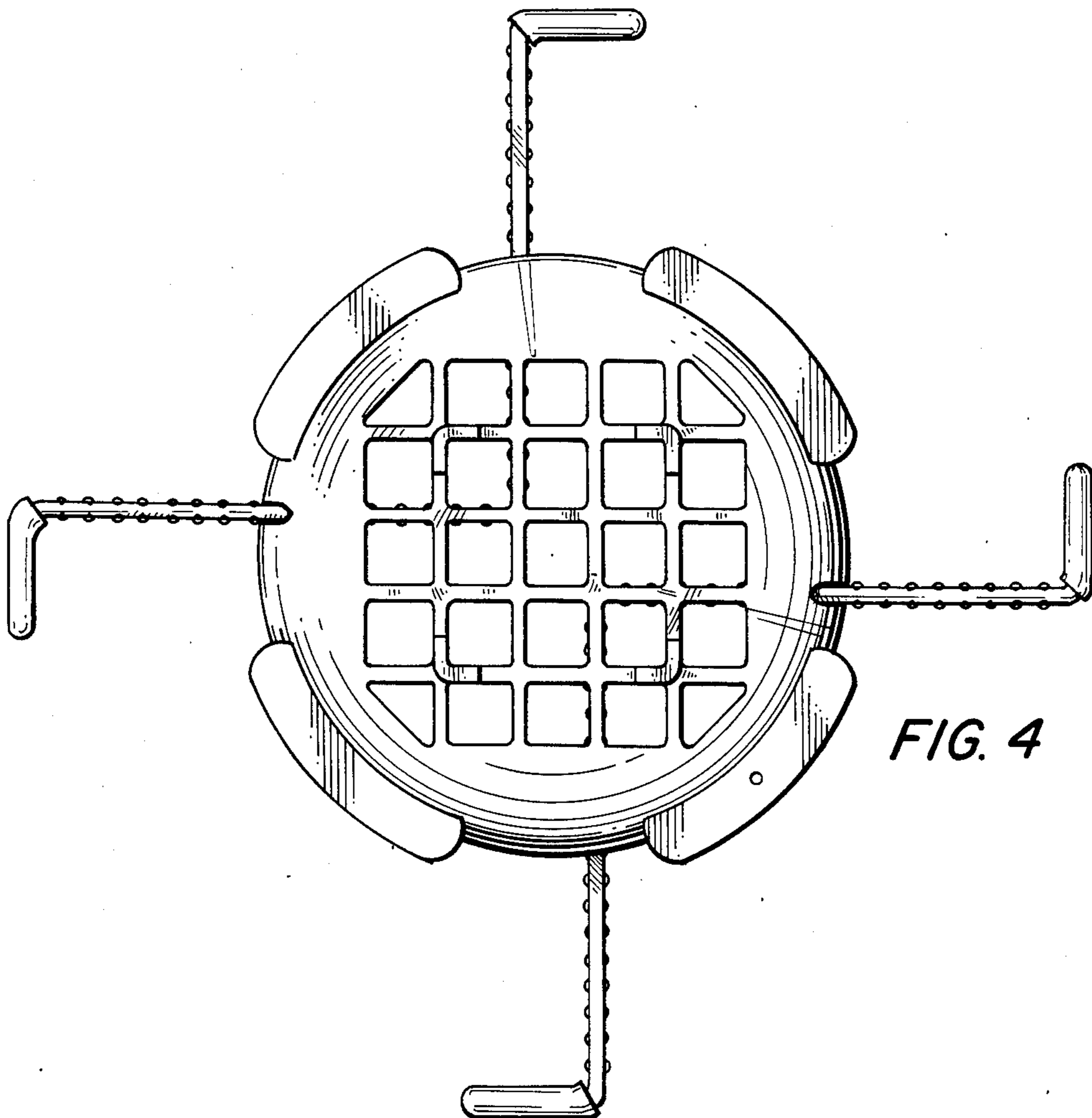


FIG. 4