

[54] MOBILE OR THE LIKE

[76] Inventor: Michael L. F. Chan, 1407 Arch St., Berkeley, Calif. 94708

[**] Term: 14 Years

[21] Appl. No.: 807,012

[22] Filed: Nov. 29, 1985

[52] U.S. Cl. D11/141

[58] Field of Search D11/131-133, D11/140-142, 125, 157, 164, 184; 428/9, 11-16

[56] References Cited

U.S. PATENT DOCUMENTS

- D. 275,627 9/1984 Chan et al. D11/141 X
- D. 277, 247 1/1985 Chan et al. D11/141 X
- D. 277,435 2/1985 Chan et al. D11/141 X

- D. 278,008 3/1985 Chan et al. D11/141 X
- D. 280,608 9/1985 Boberg D11/141
- 4 596,726 6/1986 Wrzalinski 428/12 X

Primary Examiner—Louis S. Zarfes
Attorney, Agent, or Firm—Robert R. Tipton

[57] CLAIM

The ornamental design for a mobile or the like, as shown.

DESCRIPTION

FIG. 1 is a front elevational view of a mobile or the like showing our new design;
 FIG. 2 is a rear elevational view thereof;
 FIG. 3 is a right side elevational view thereof;
 FIG. 4 is a left side elevational view thereof;
 FIG. 5 is a top plan view thereof;
 FIG. 6 is a bottom plan view thereof.

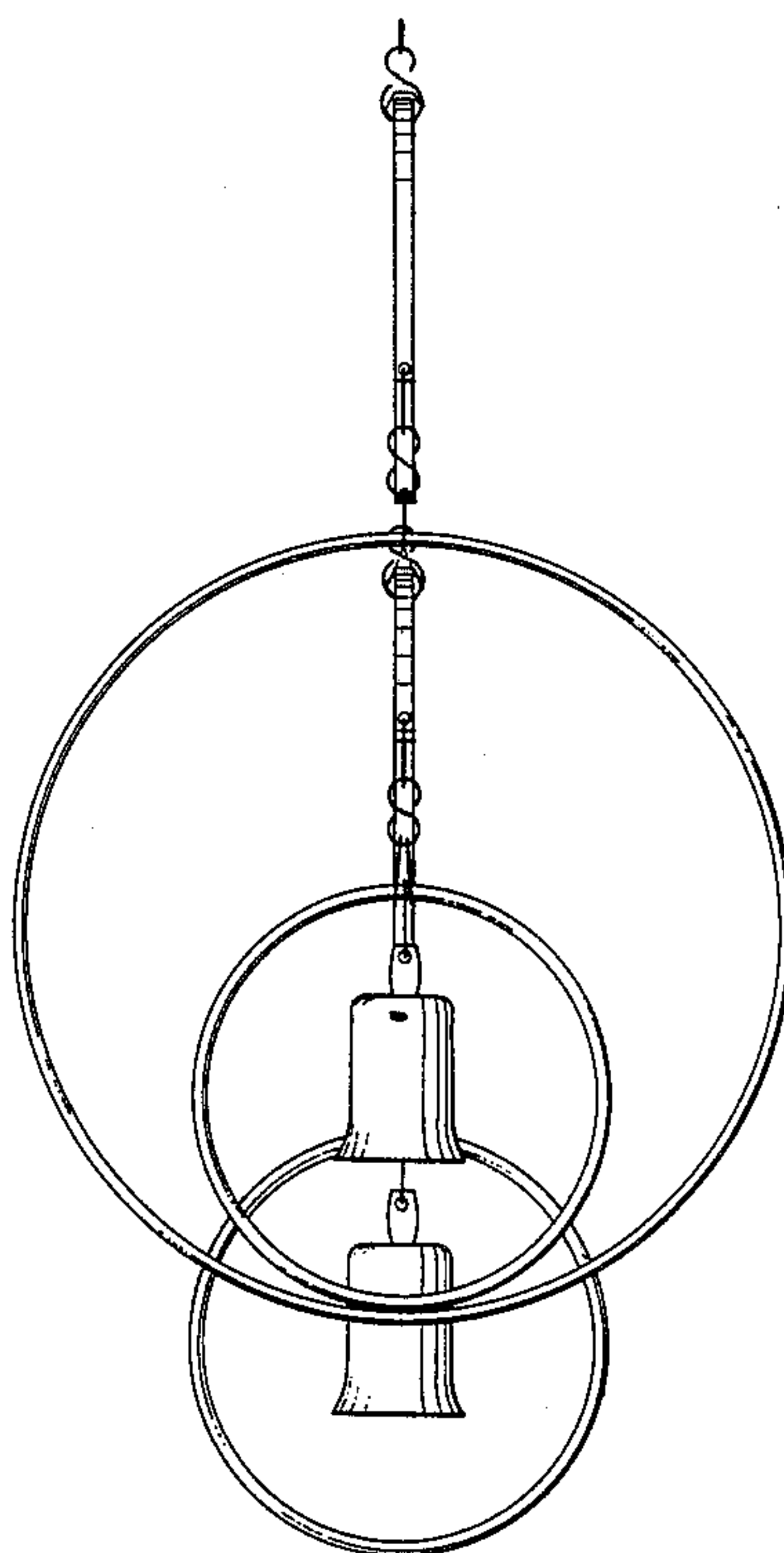
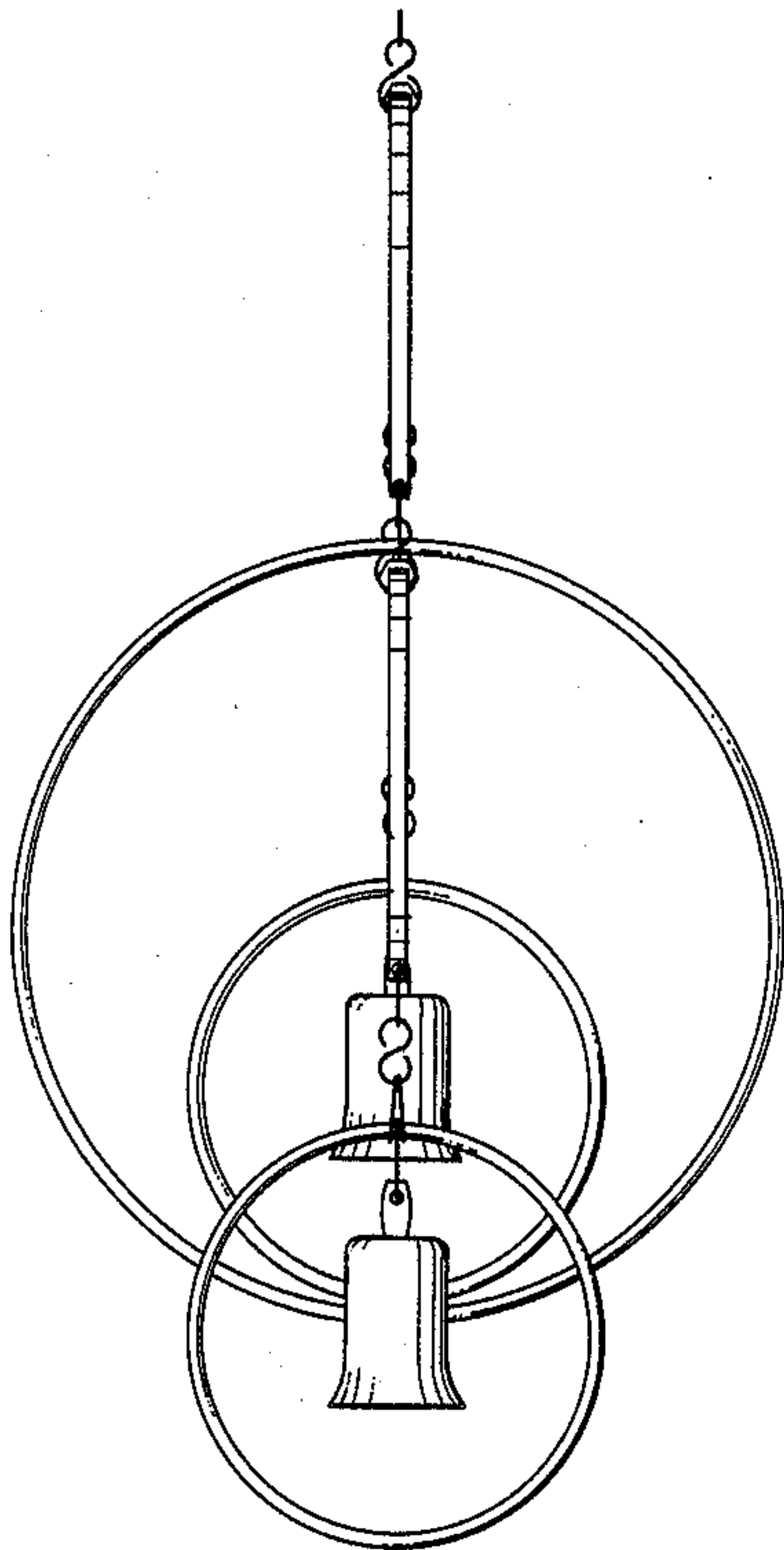


FIG. 1

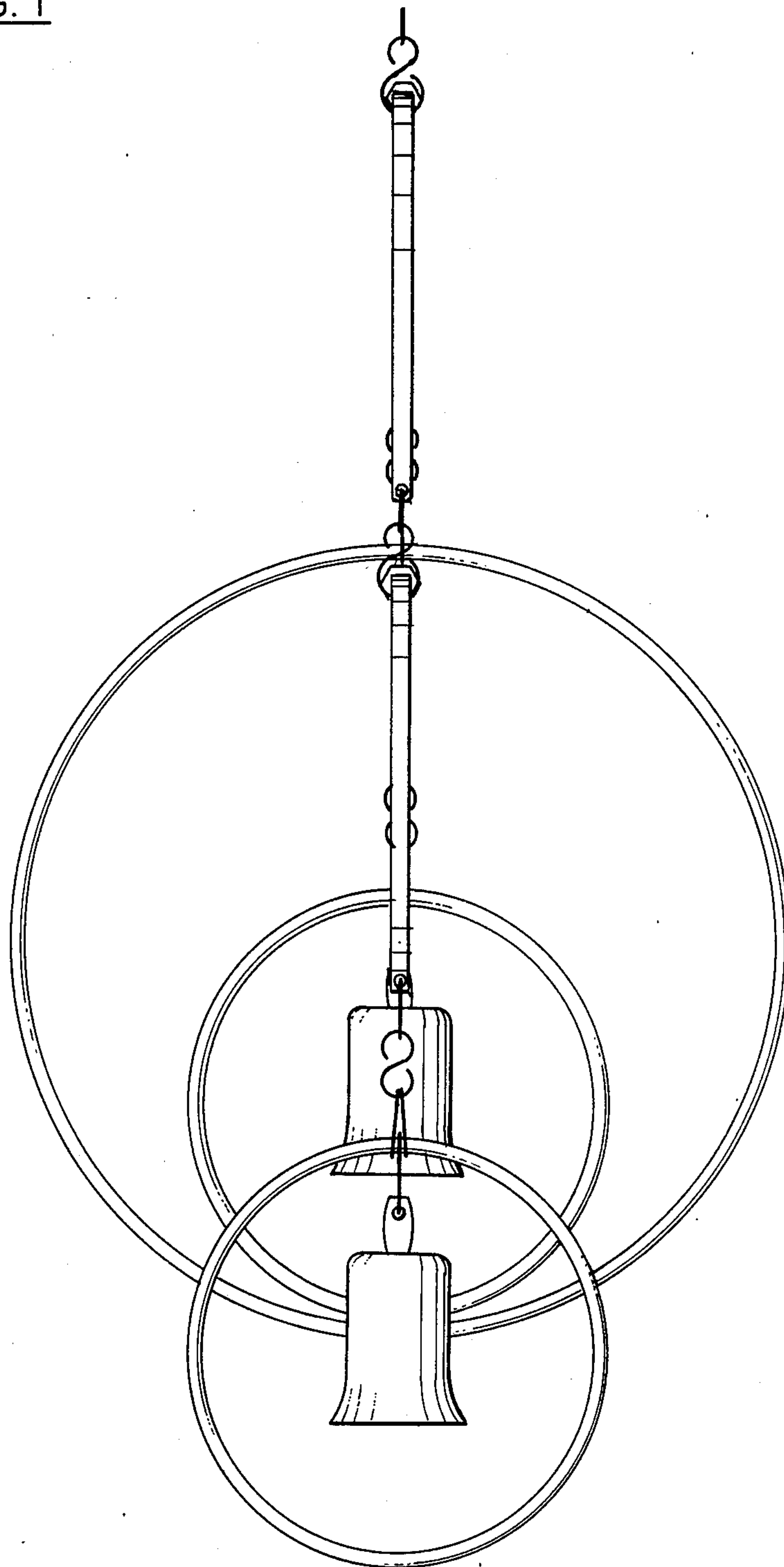


FIG. 2

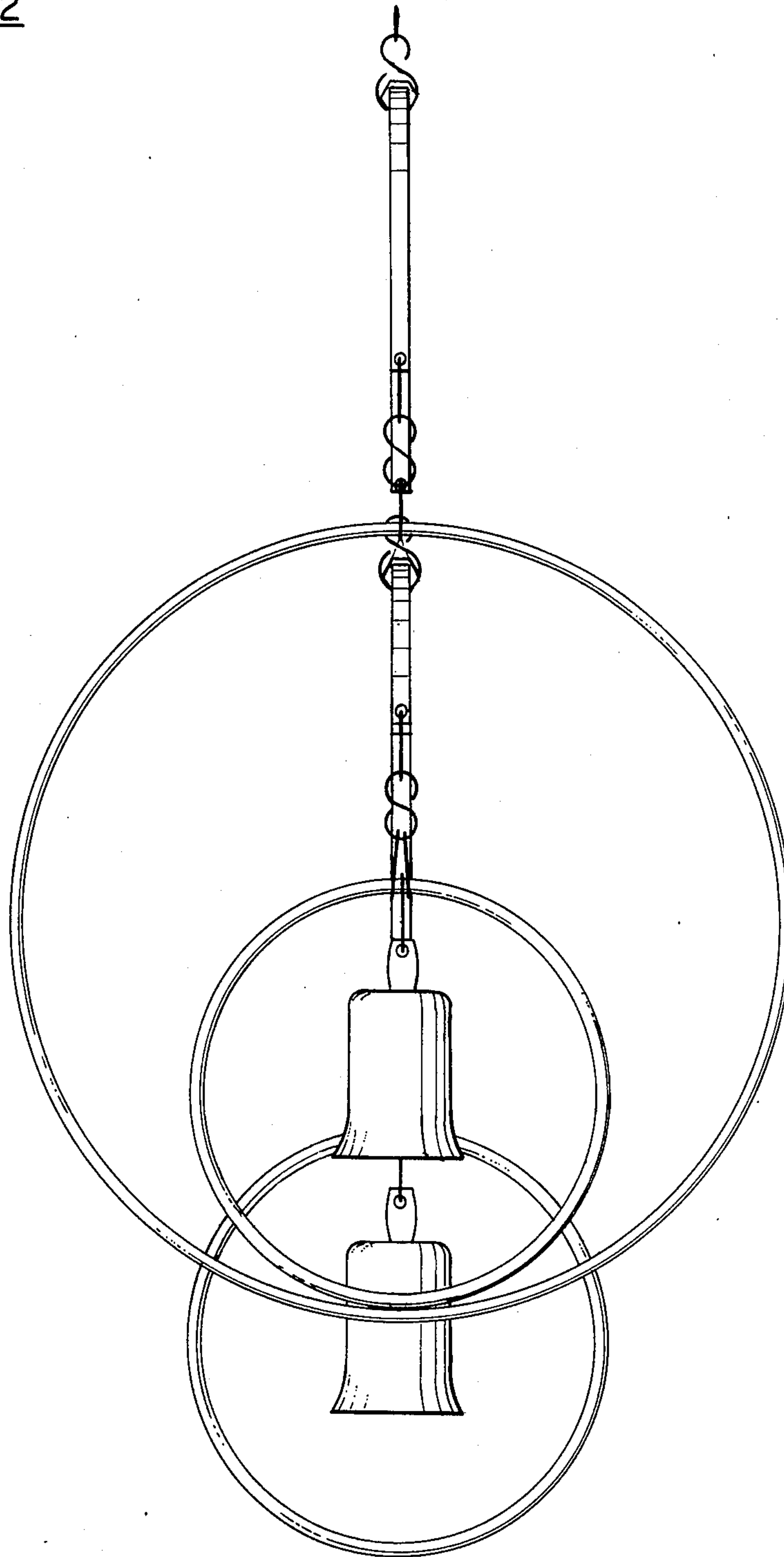


FIG. 3

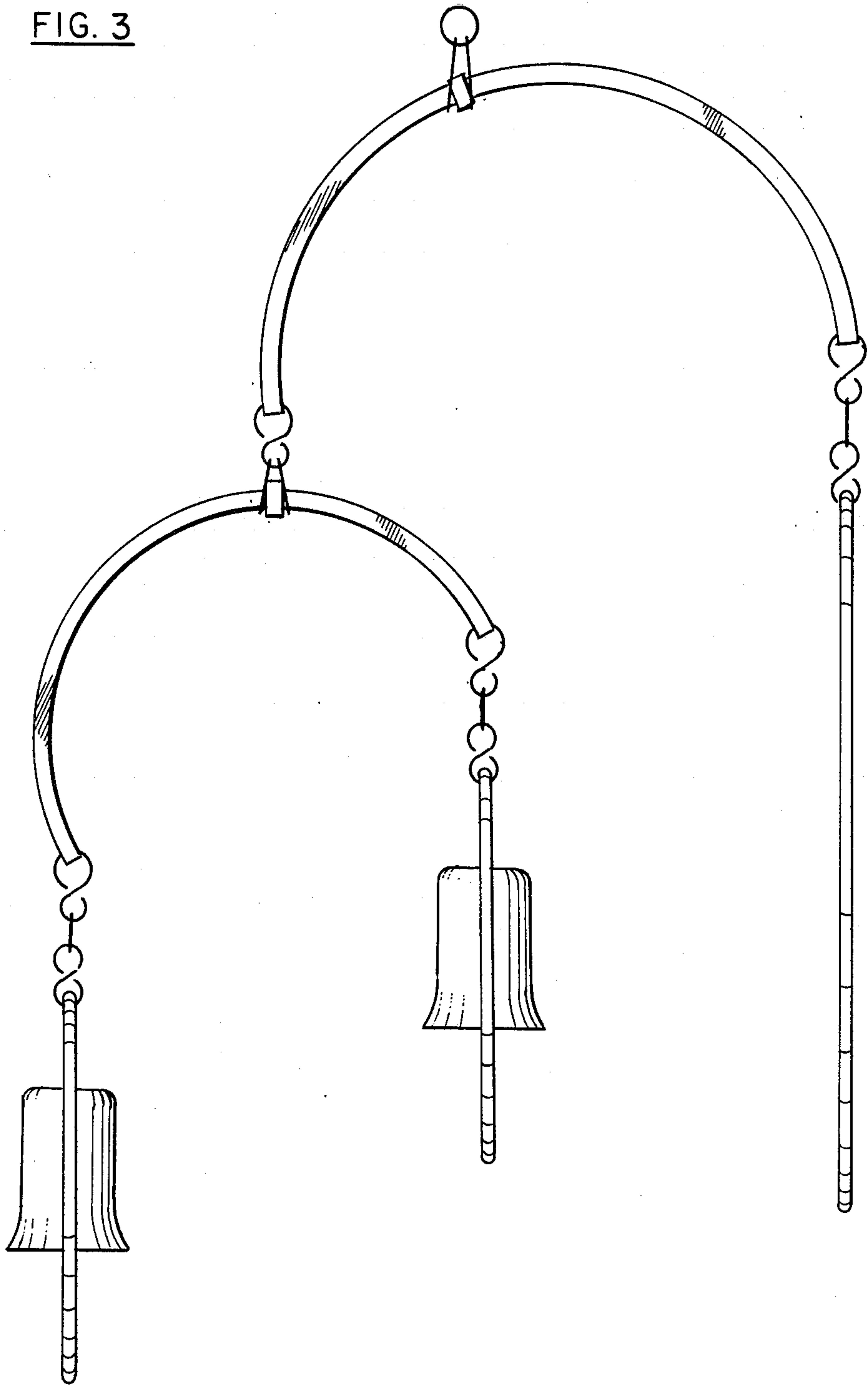


FIG. 4

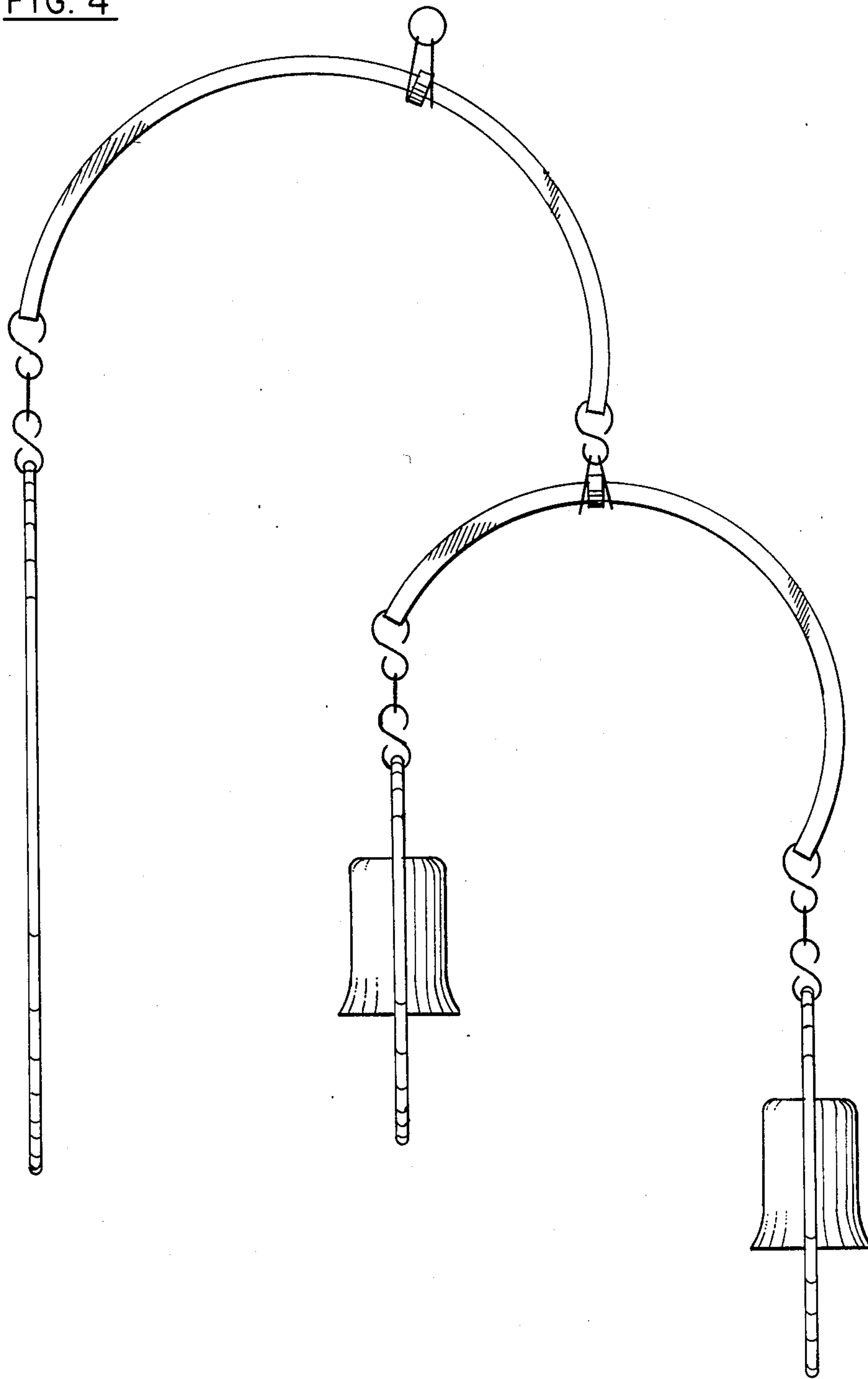


FIG. 5

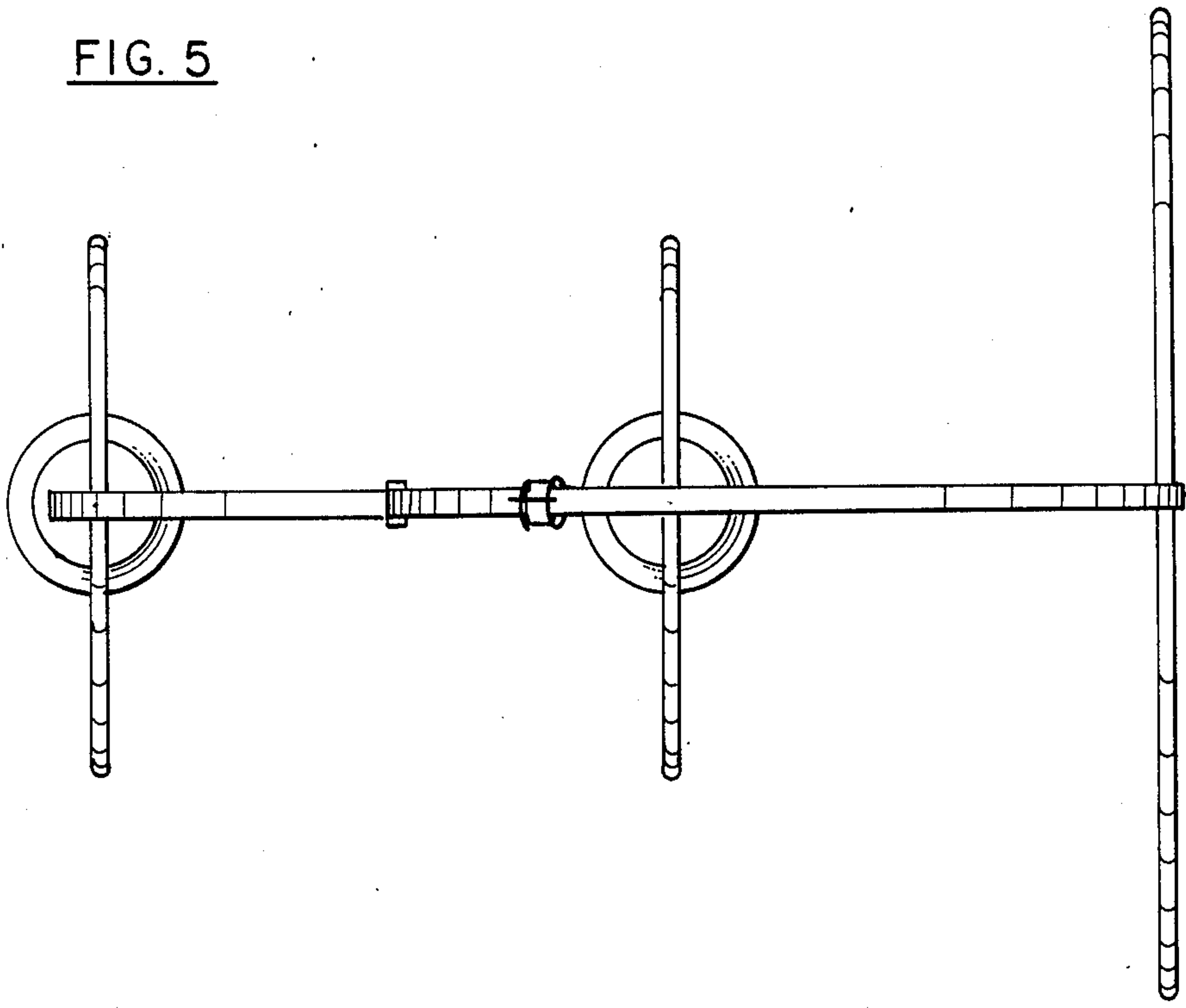


FIG. 6

