

[54] CABLE LOAD SENSOR OR SIMILAR ARTICLE

[75] Inventor: Anders Tell, Åkersberga, Sweden

[73] Assignee: Piab Sweden AB, Åkersberga, Sweden

[**] Term: 14 Years

[21] Appl. No.: 799,650

[22] Filed: Nov. 19, 1985

[30] Foreign Application Priority Data

May 20, 1985 [SE] Sweden 85-1314

[52] U.S. Cl. D10/83; D8/356; 73/862.45

[58] Field of Search D10/83, 102, 103, 46; 73/862.45, 862.47, 862.48; D8/356

[56] References Cited

U.S. PATENT DOCUMENTS

- D. 87,988 10/1932 Weigolt D10/83
- D. 271,669 12/1983 Öhrnell et al. D10/83
- D. 275,087 8/1981 Van Mastrigt D10/83
- 1,780,141 10/1930 Goldman 73/862.45

- 2,013,810 9/1935 Sirnek 73/862.45
- 3,176,510 4/1965 Kimmell et al. 73/862.45
- 3,410,246 11/1968 Lowe 73/862.45 X
- 3,618,379 11/1971 Lipton 73/862.47
- 4,163,126 7/1979 Van Mastrigt 73/862.47 X
- 4,171,640 10/1979 Van Mastrigt 73/144
- 4,534,228 8/1985 Buehoak, Jr. 73/862.45

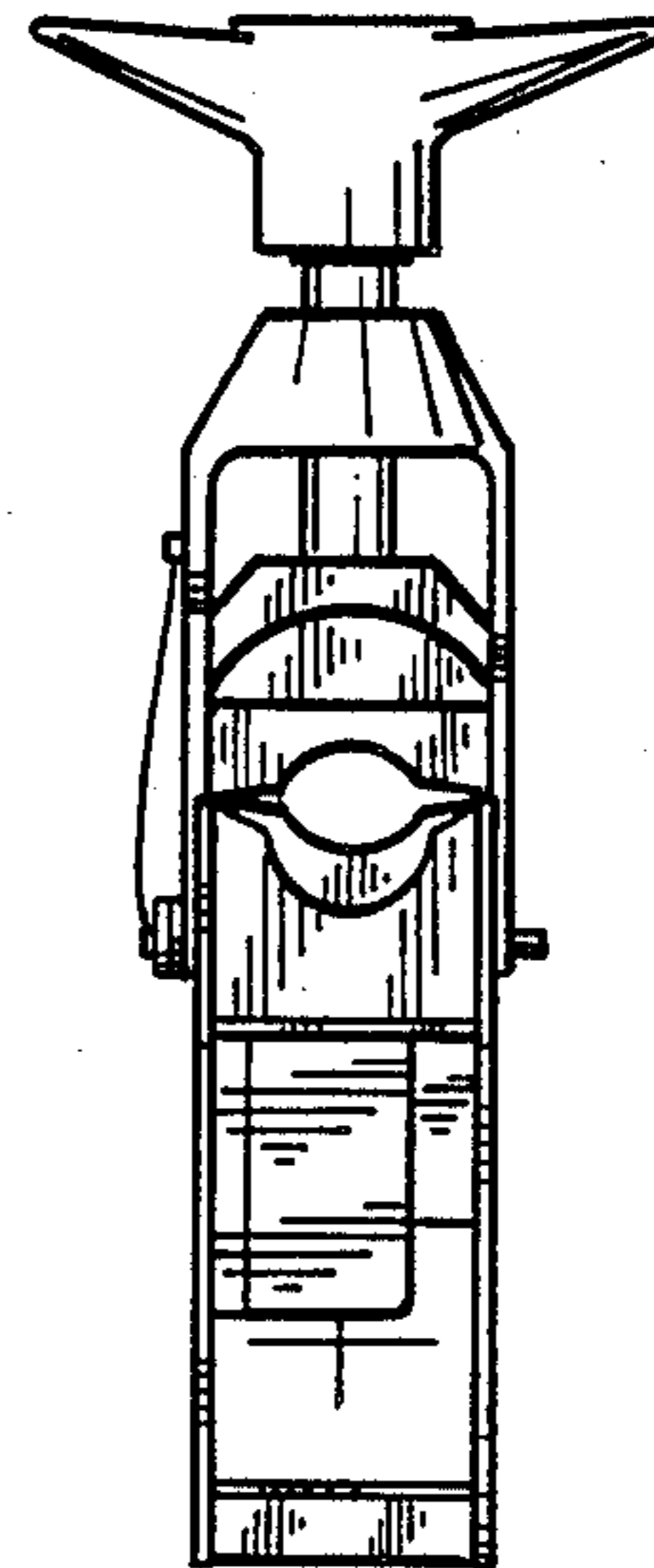
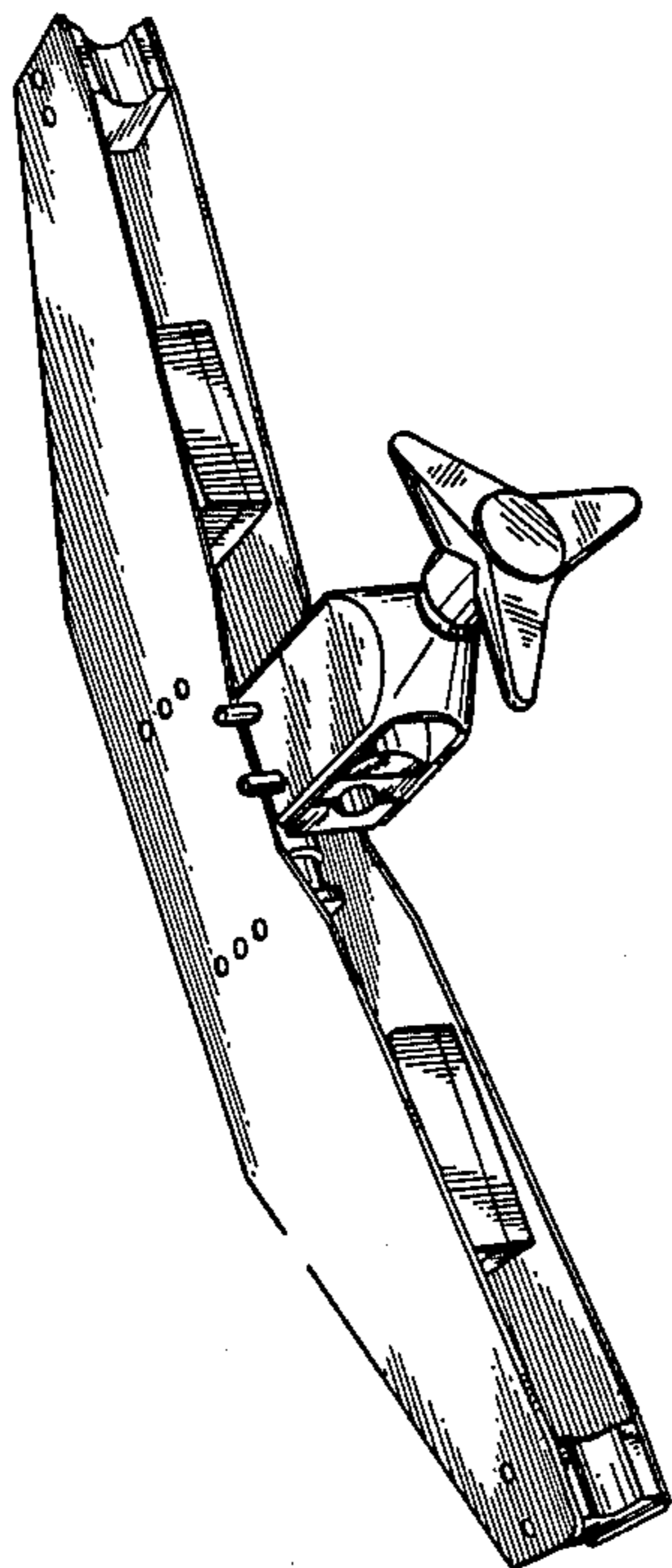
Primary Examiner—Horace B. Fay
Attorney, Agent, or Firm—Witherspoon & Hargest

[57] CLAIM

The ornamental design for a cable load sensor or similar article, as shown and described.

DESCRIPTION

FIG. 1 is a front and end perspective view of a cable load sensor or similar article showing my new design; FIG. 2 is a rear and opposite end perspective view thereof; FIG. 3 is an end elevational view thereof; FIG. 4 is a front elevational view thereof; FIG. 5 is an elevational view of the end opposite to that shown in FIG. 3; FIG. 6 is a rear elevational view thereof; and FIGS. 7 and 8 are respectively top and bottom plan views thereof.



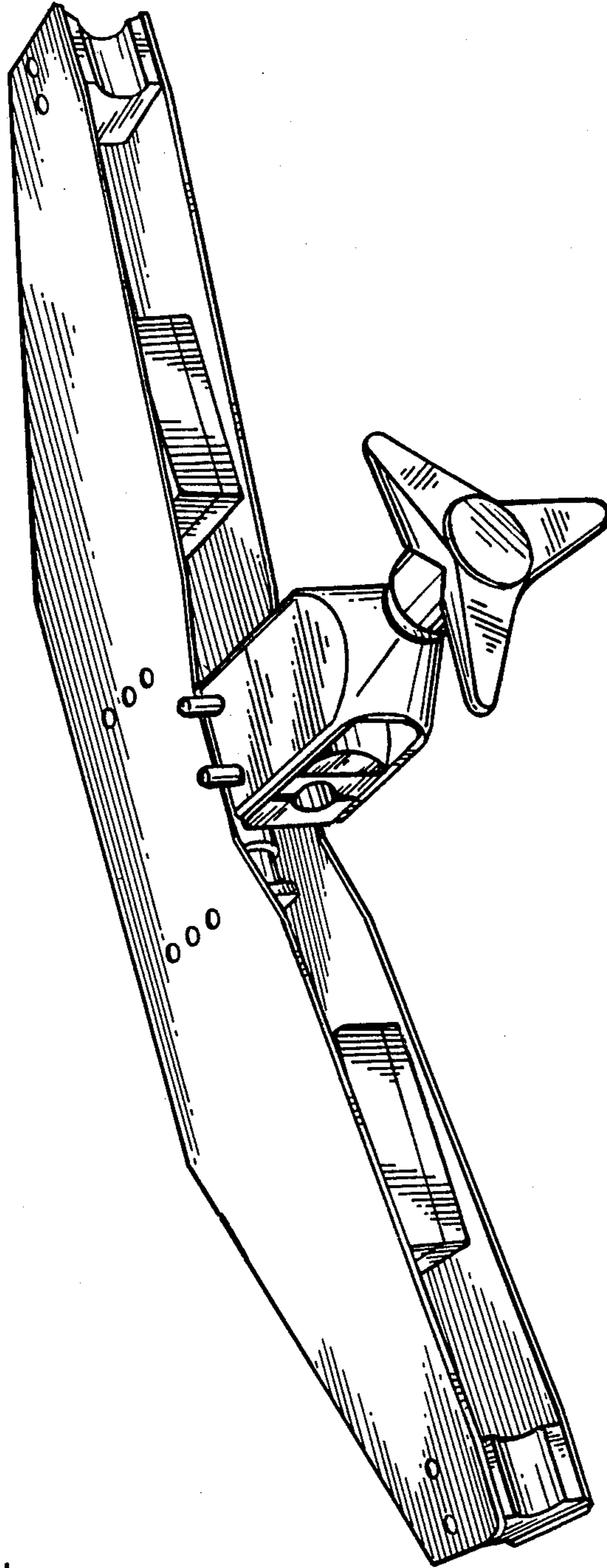


FIG. 1

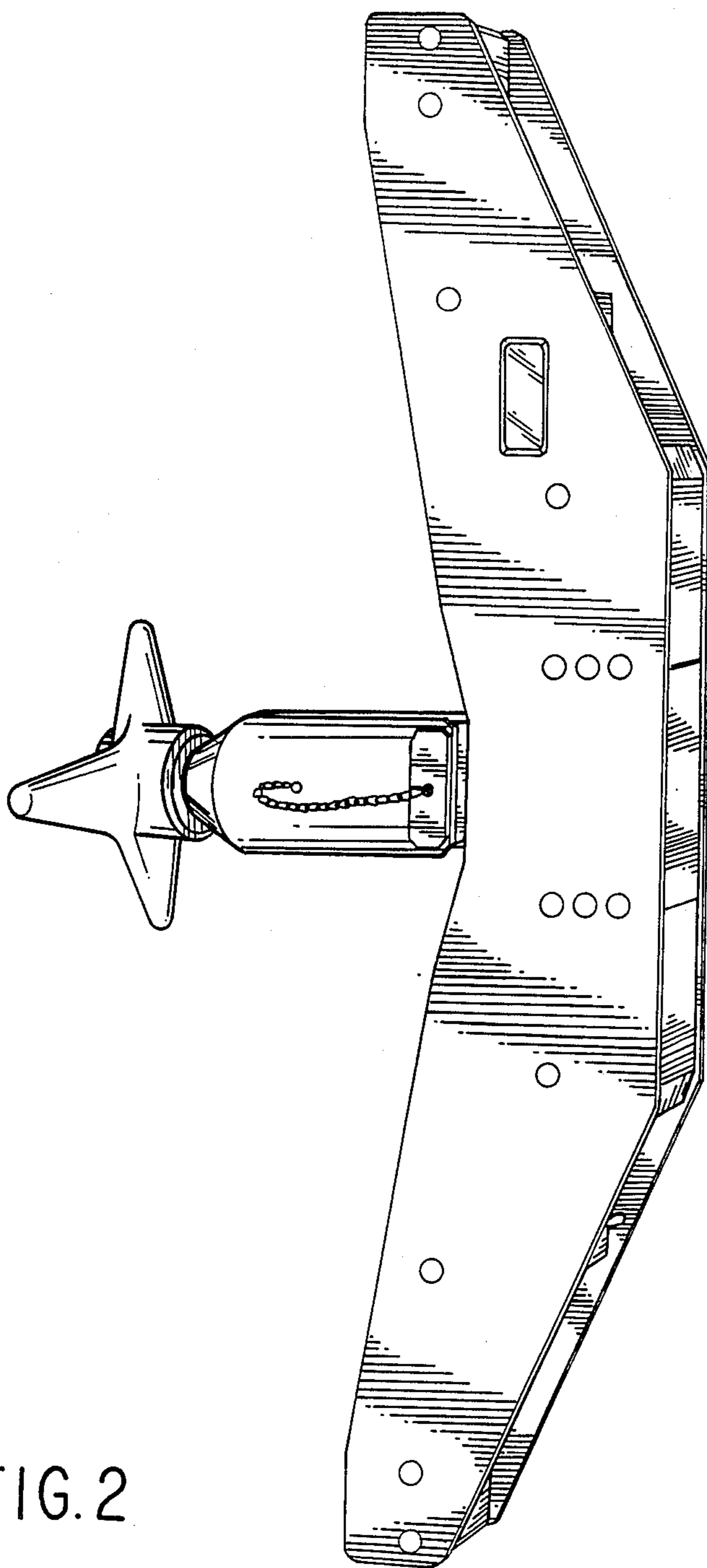


FIG. 2

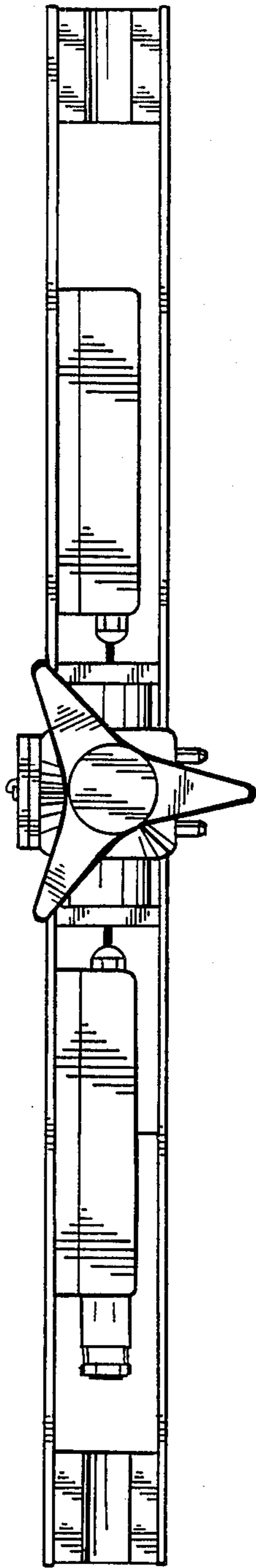


FIG. 3

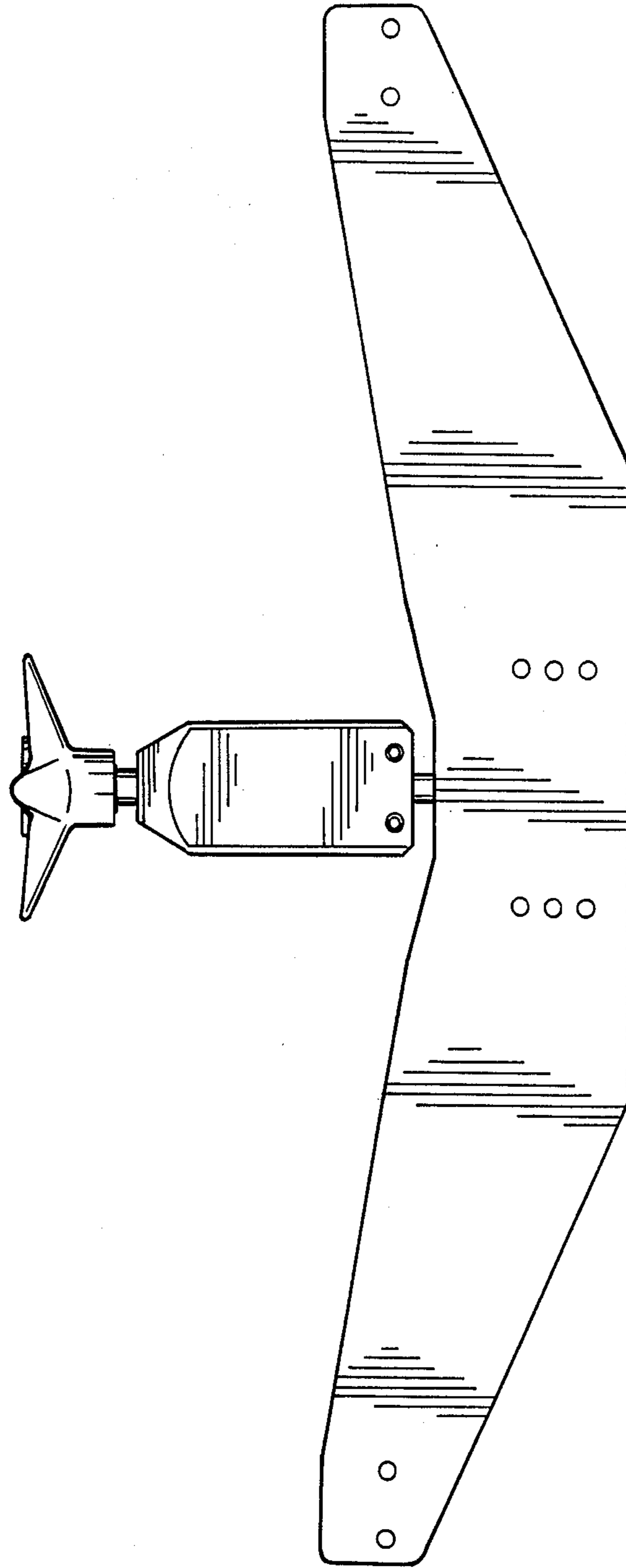


FIG. 4

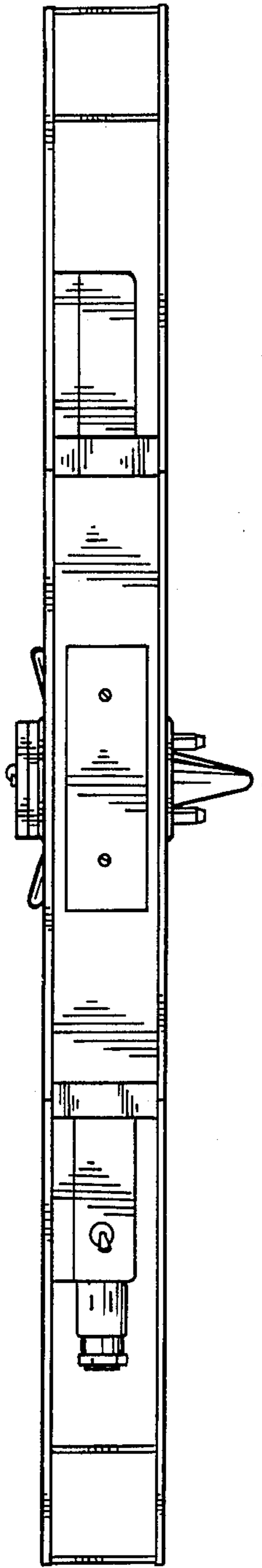


FIG. 5

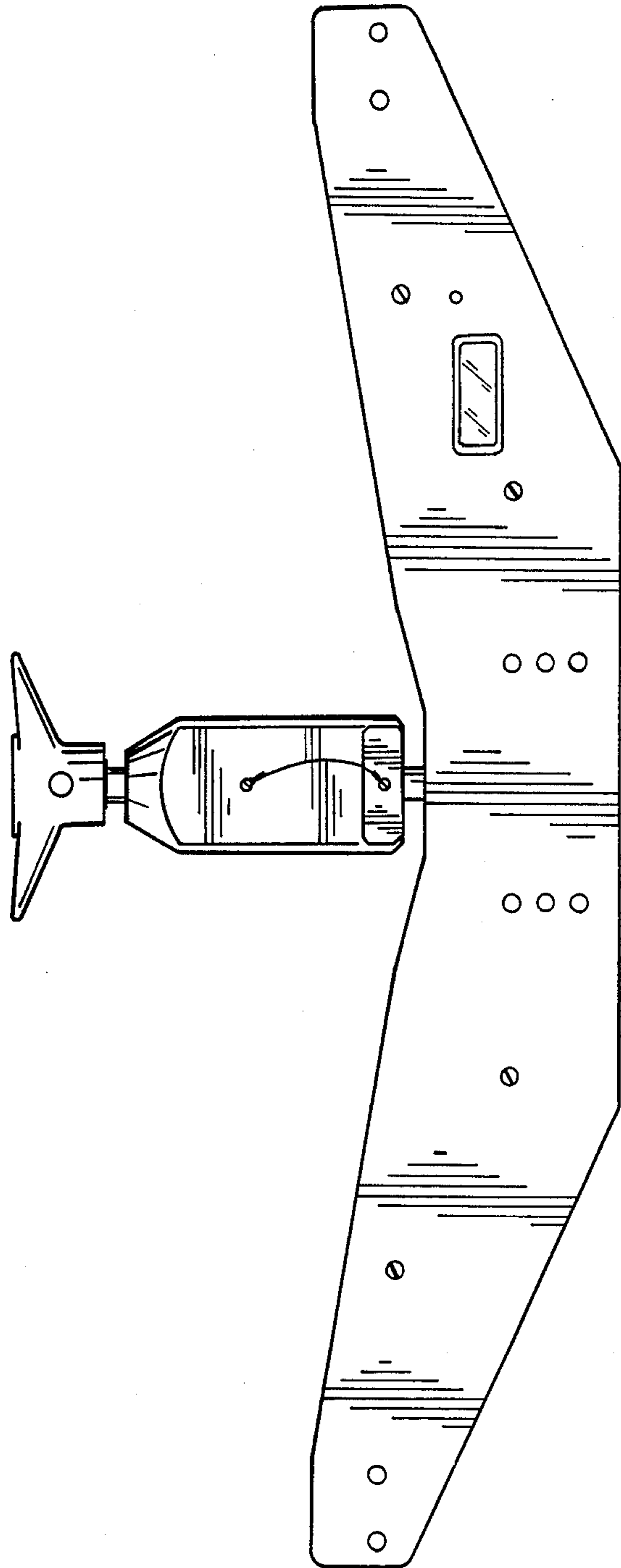


FIG. 6

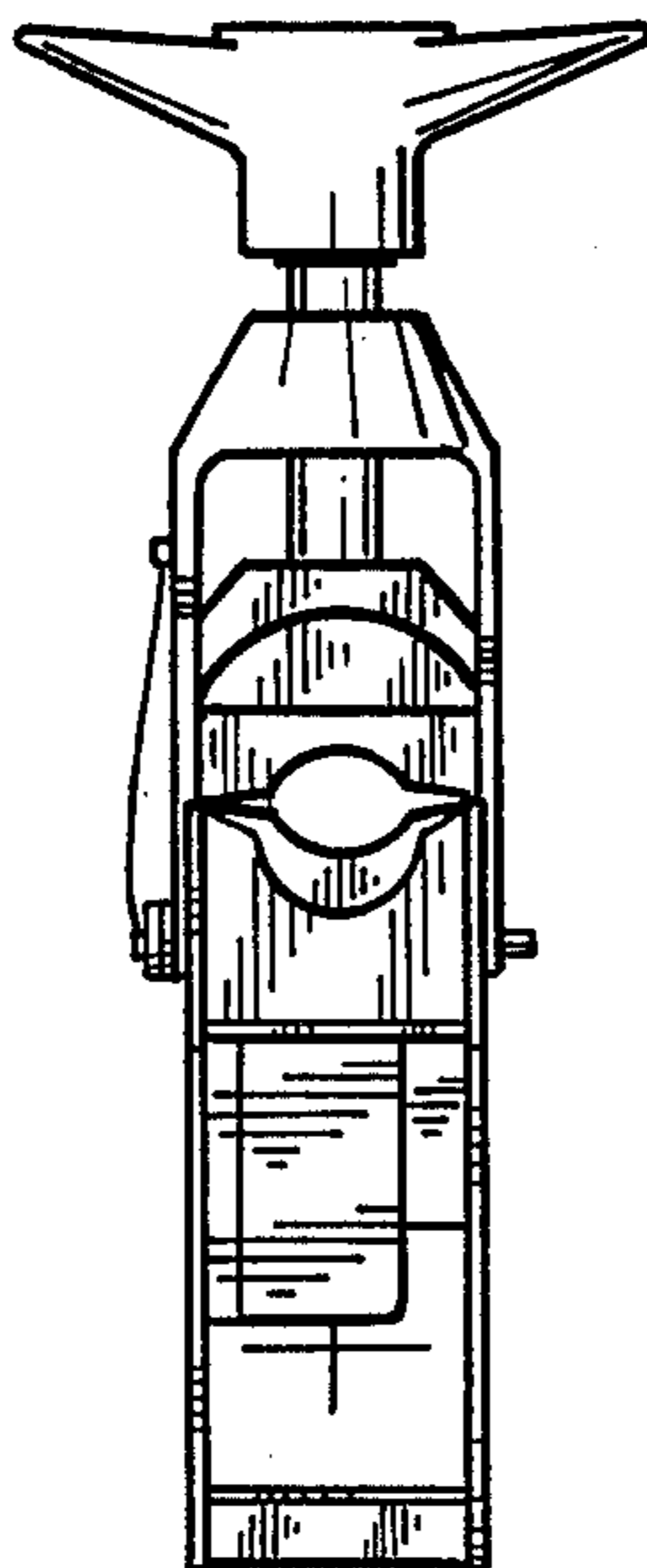


FIG. 7

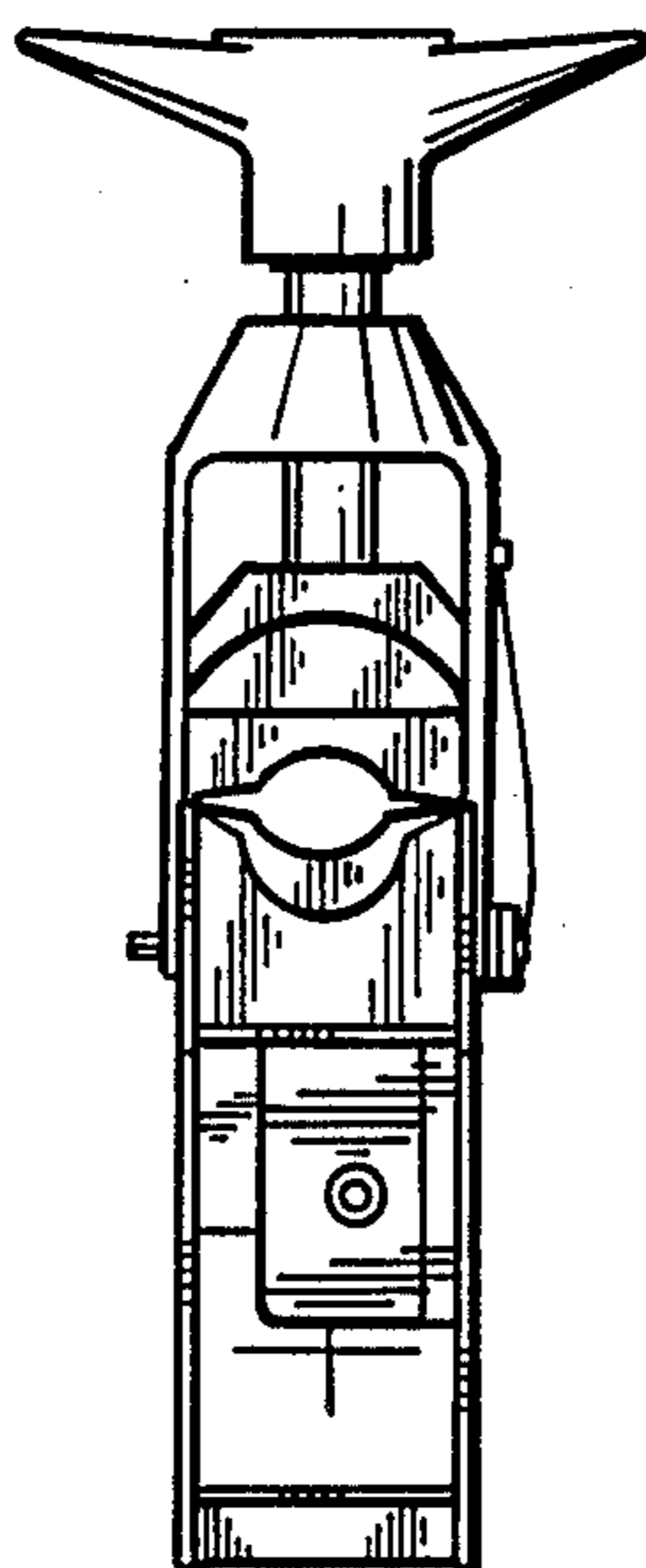


FIG. 8