

[54] **SASH LIFT**
[75] **Inventor: Richard J. King, Rockford, Ill.**
[73] **Assignee: Amerock Corporation, Rockford, Ill.**
[**] **Term: 14 Years**
[21] **Appl. No.: 898,643**
[22] **Filed: Aug. 21, 1986**
[52] **U.S. Cl. D8/313**
[58] **Field of Search D8/300, 313; 16/110 R,
16/124, 121**

D. 212,686 11/1968 Fowler .
D. 248,624 7/1978 Spellier D8/313
2,793,386 5/1957 Muhlhauser 16/124

Primary Examiner—B. J. Bullock
Attorney, Agent, or Firm—Leydig, Voit & Mayer

[57] **CLAIM**

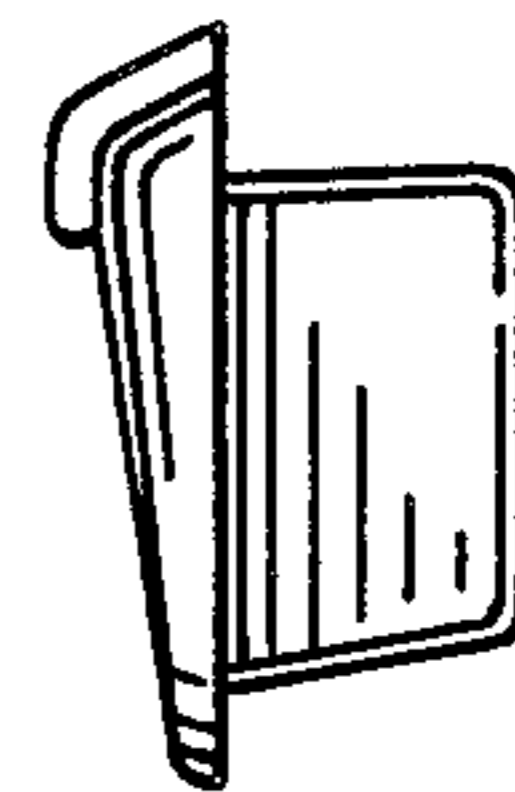
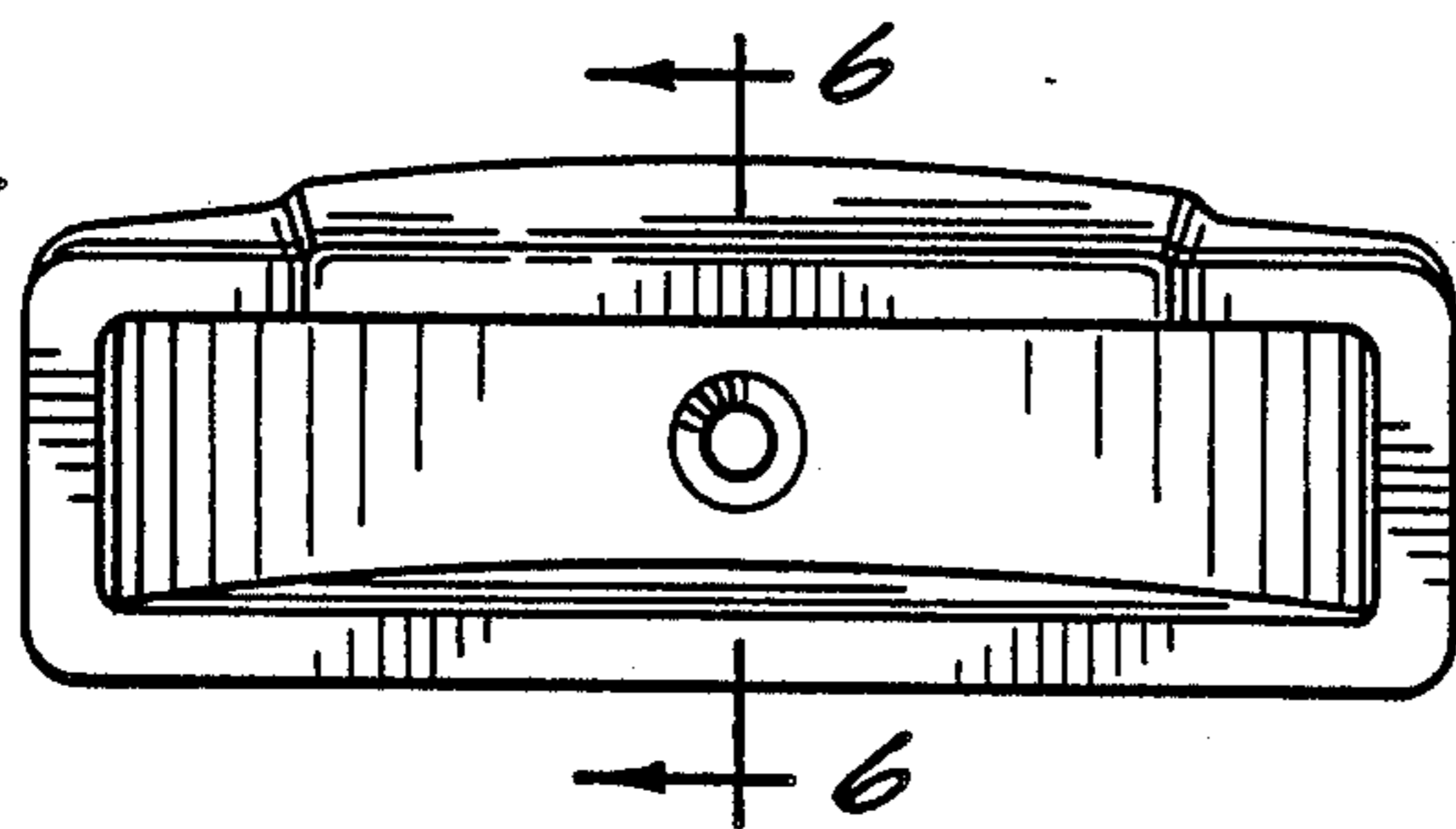
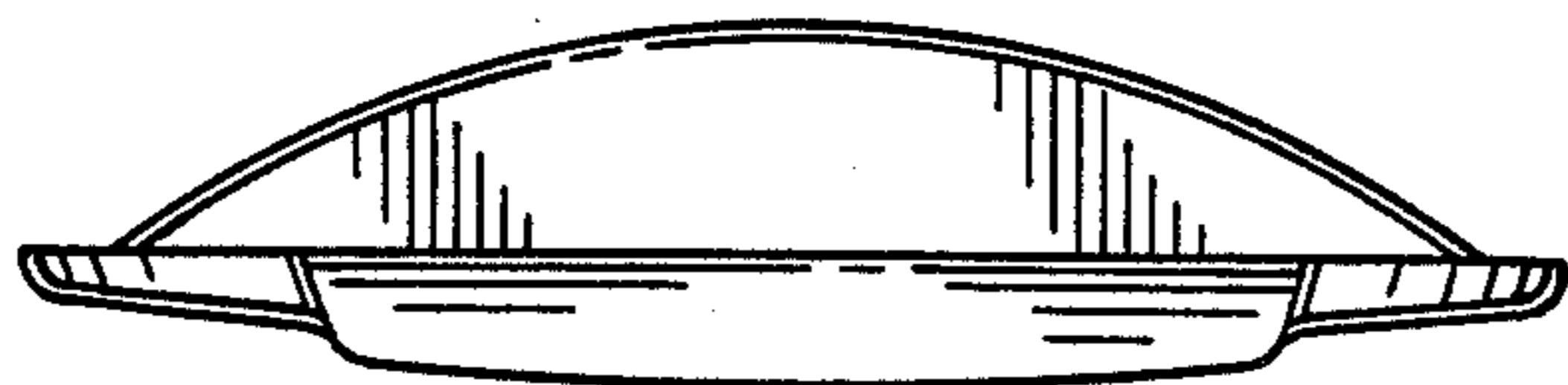
The ornamental design for sash lift, as shown and described.

DESCRIPTION

FIG. 1 is a top plan view of a sash lift showing my new design;
FIG. 2 is a front elevational view.
FIG. 3 is a bottom plan view.
FIG. 4 is a rear elevational view.
FIG. 5 is a side elevational view as seen from the right side of FIG. 2, the side opposite being a mirror image;
FIG. 6 is a cross-section taken in the direction of the arrows on line 6—6 of FIG. 2.

[56] **References Cited**
U.S. PATENT DOCUMENTS

D. 126,567 4/1941 Borchers .
D. 132,687 6/1942 Kupperman D8/313
D. 153,835 5/1949 Sundberg et al. D8/313
D. 169,532 5/1953 Deadrick D8/313



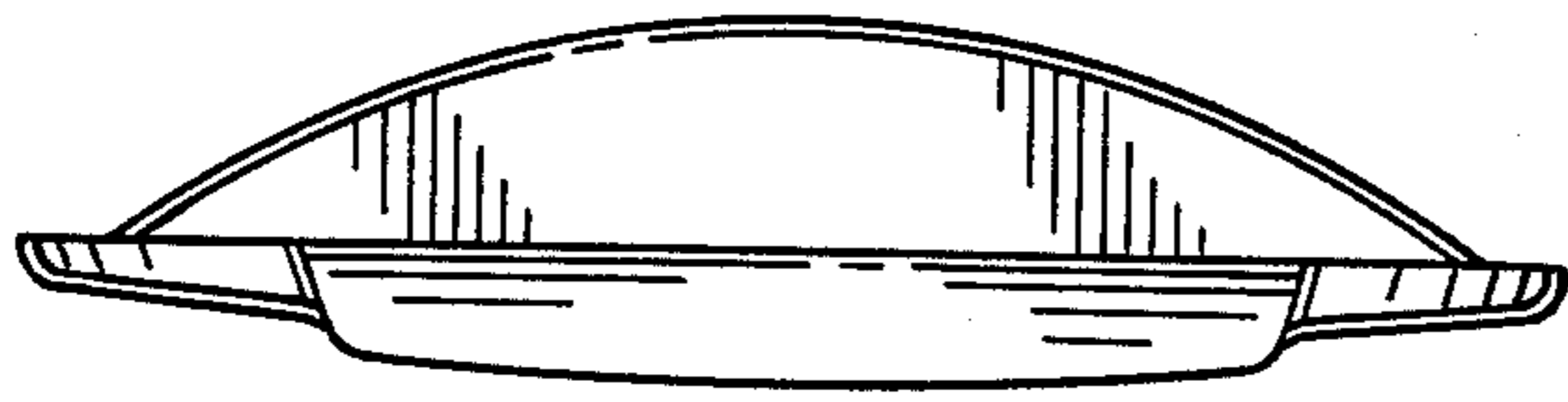


FIG. 1.

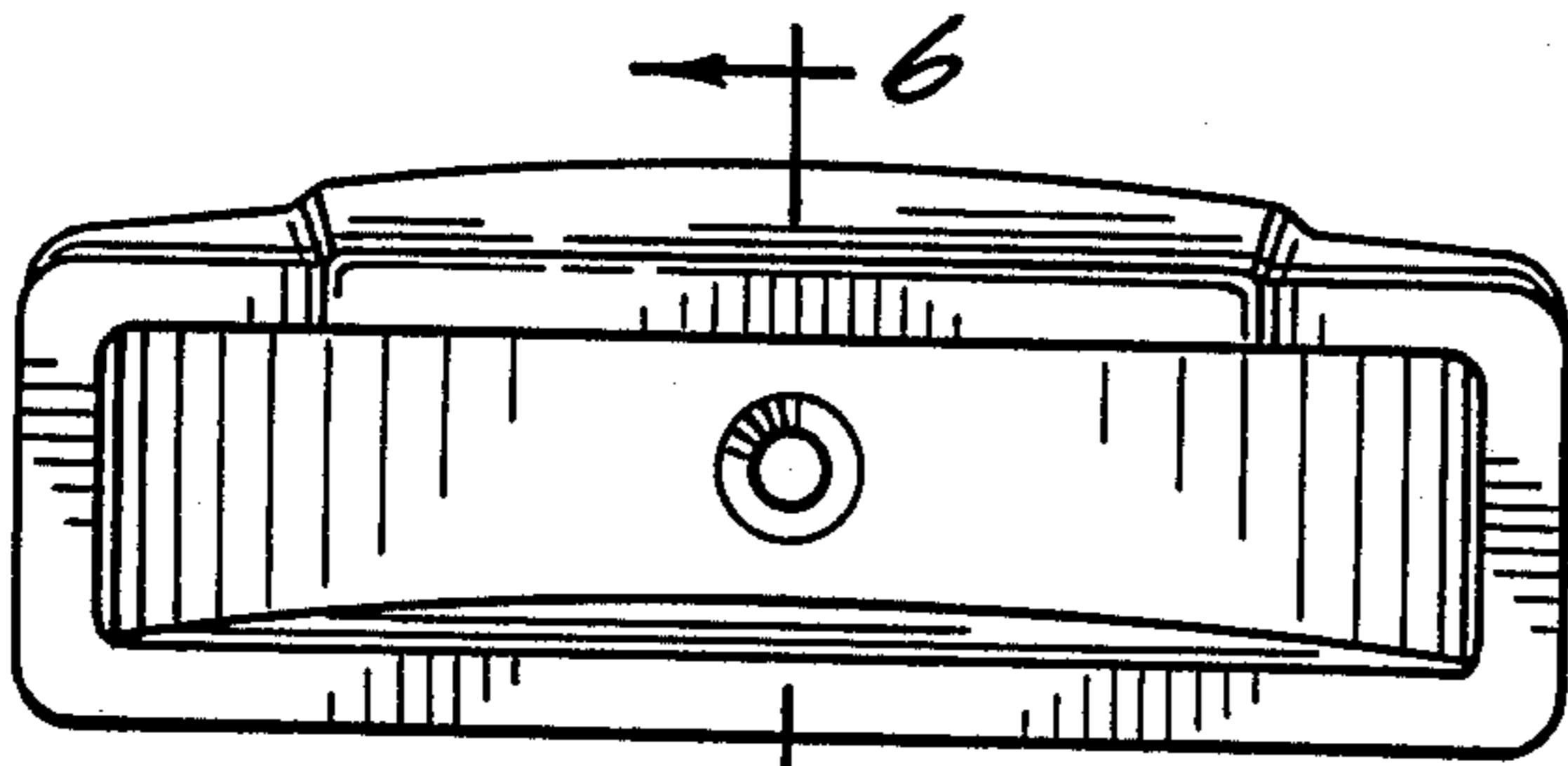


FIG. 2.

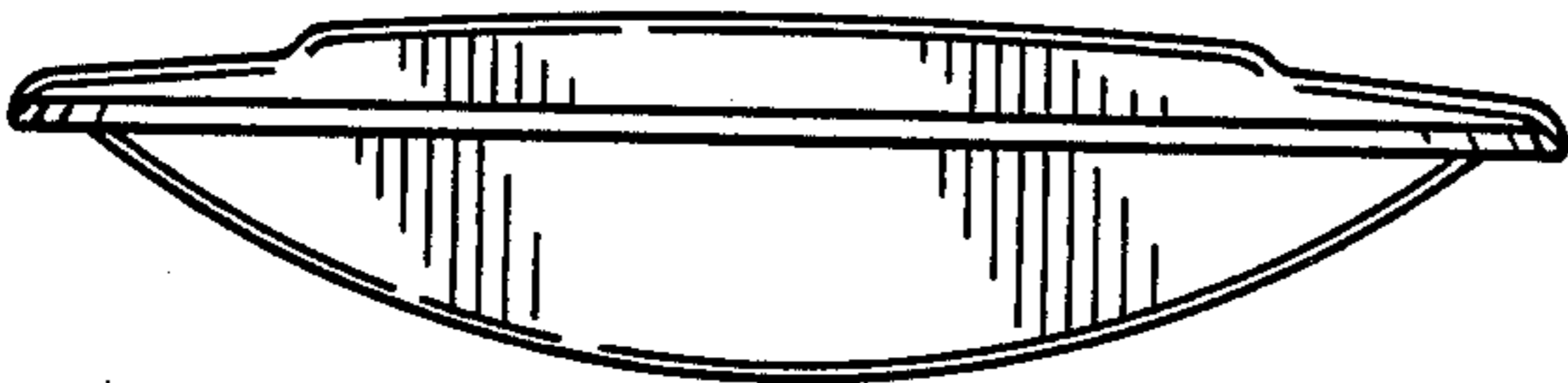


FIG. 3.

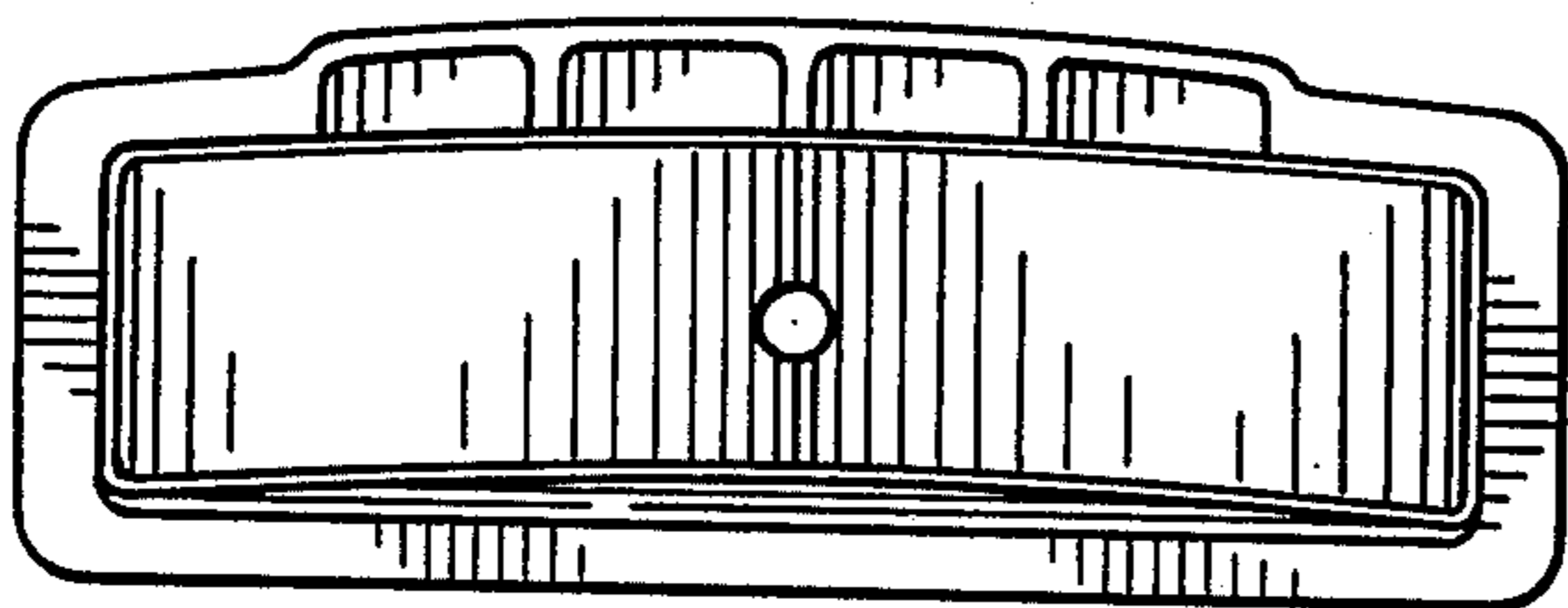


FIG. 4.

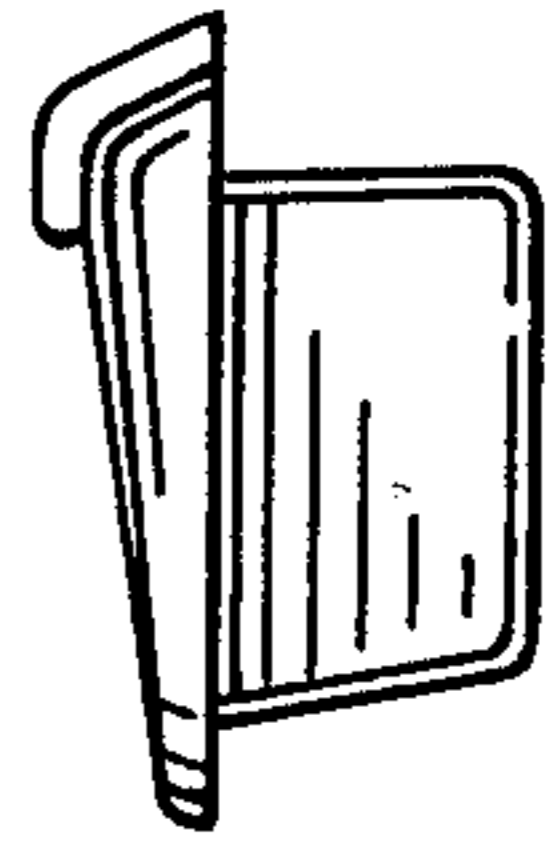


FIG. 5.

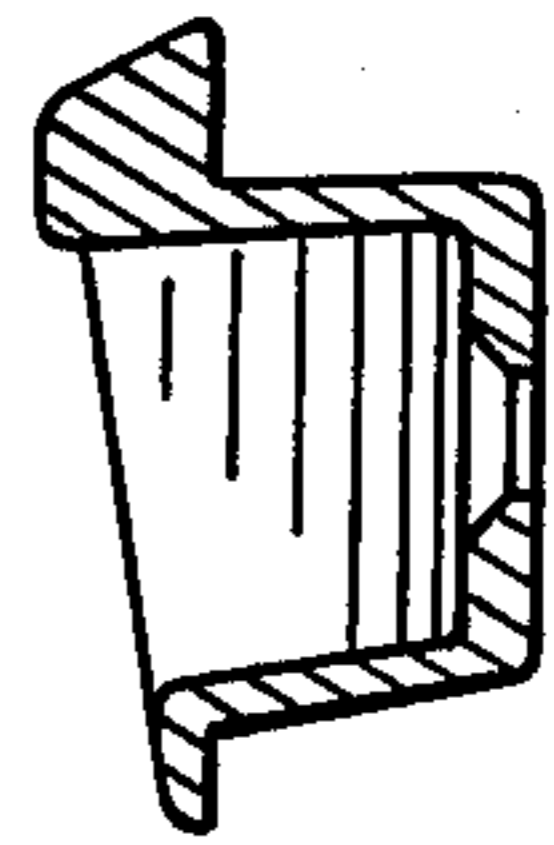


FIG. 6.