

[54] COMBINED DOOR KNOB AND LATCH SET

[76] Inventor: Gerhard Fildan, Dr.-Körner-Str. 64, A 2521 Trumau, Austria

[**] Term: 14 Years

[21] Appl. No.: 794,160

[22] Filed: Nov. 1, 1985

[52] U.S. Cl. D8/302; D8/300; D8/312

[58] Field of Search D8/300, 301, 302, 307, D8/310-312; 16/110 R, 114 R, 121

[56] References Cited

U.S. PATENT DOCUMENTS

D. 206,456	12/1966	Russell et al.	D8/312
D. 227,251	6/1973	Botefur et al.	D23/28
D. 262,773	1/1982	Wansbrough et al.	D8/310
3,111,021	11/1963	Patriquin et al.	D8/302
3,238,968	3/1966	Pecis	D23/250

OTHER PUBLICATIONS

Sargent & Co. cat. 27-B; p. 3; door knob set type 160. Falcons Locks X Series cat. 3; p. 9, Aristocrat-Gala Style knob.

Falcons Locks E Series cat. 2; p. 10; connecting room lock.

Primary Examiner—B. J. Bullock

Attorney, Agent, or Firm—Herbert Dubno

[57] CLAIM

The ornamental design for a combined door knob and latch set, as shown and described.

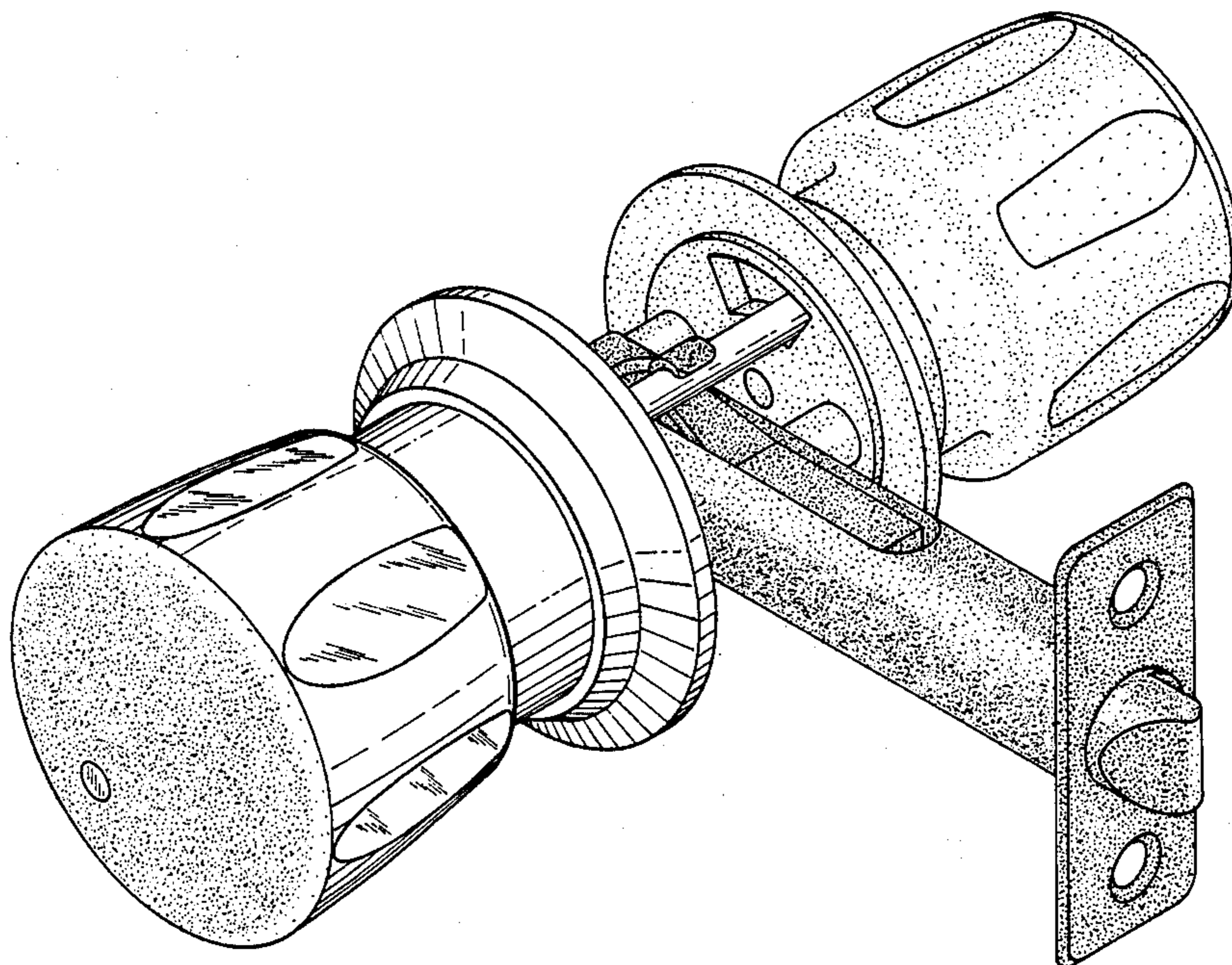
DESCRIPTION

FIG. 1 is a perspective view of a combined door knob and latch set showing my new design, the different types and densities of shading indicates different colors; FIG. 2 is a bottom view of FIG. 1;

FIG. 3 is a sectional view taken along line III—III of FIG. 2;

FIG. 4 is a sectional view taken along line IV—IV of FIG. 2; and

FIG. 5 is an elevational view taken in the direction arrow V of FIG. 2.



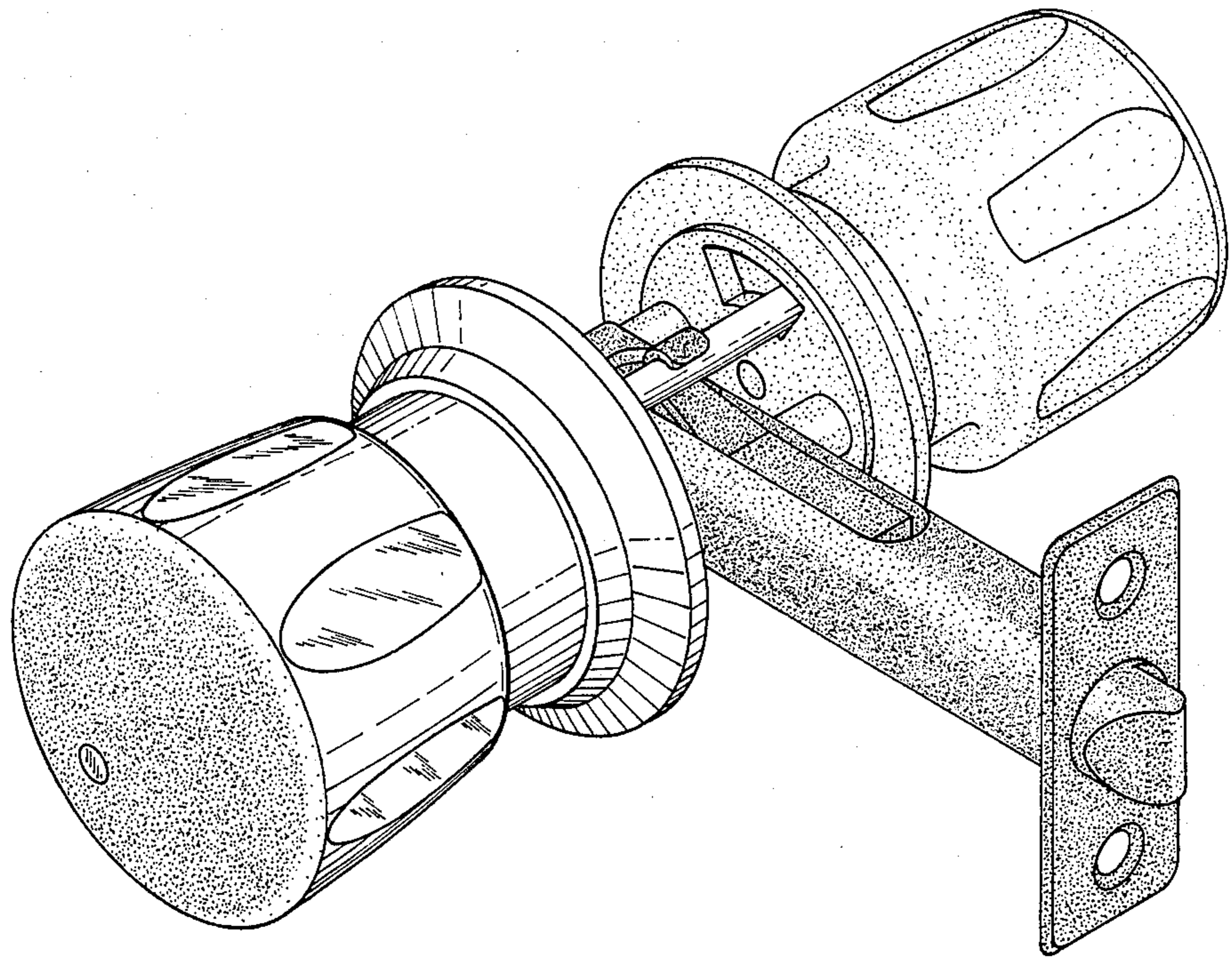


FIG. 1

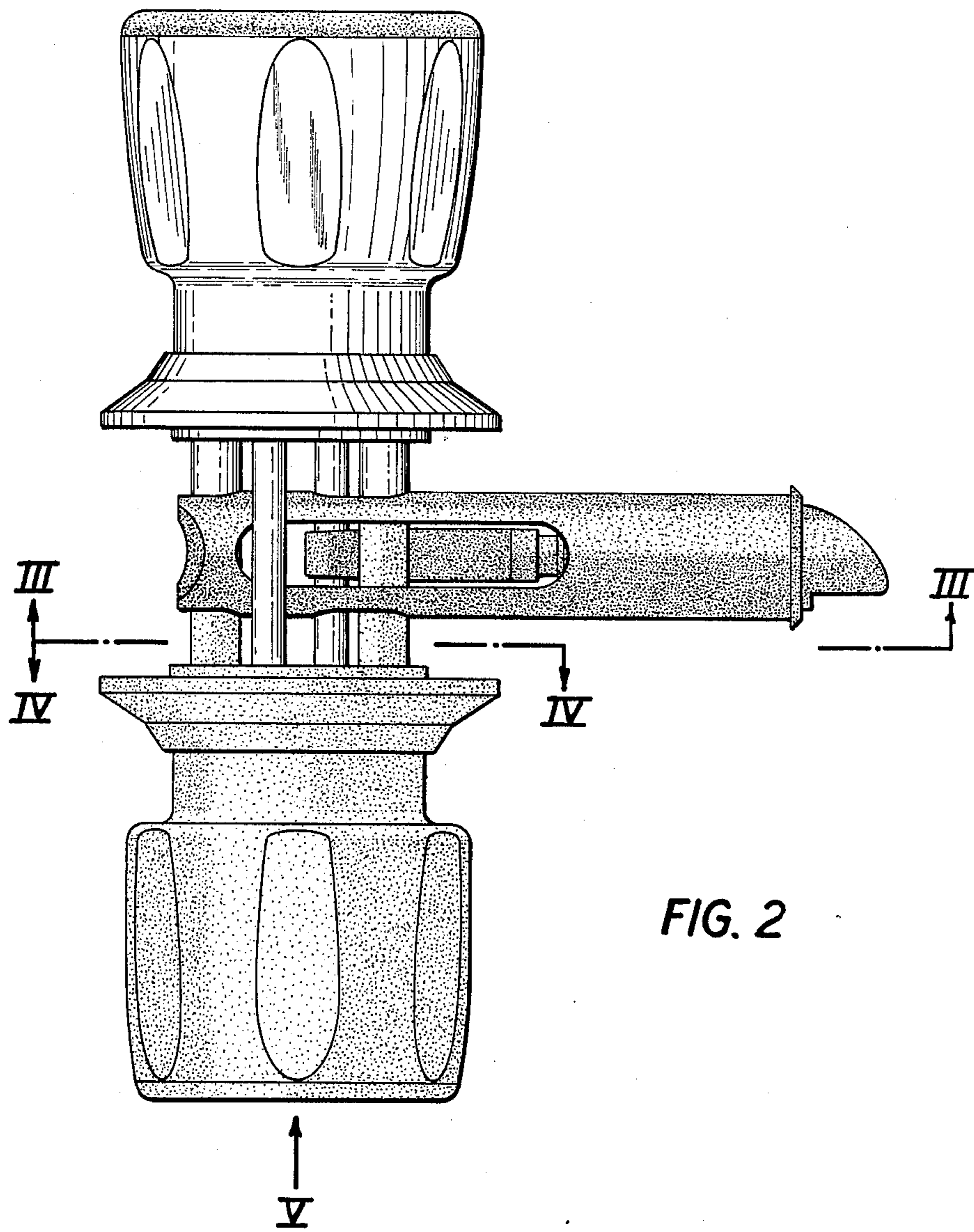


FIG. 2

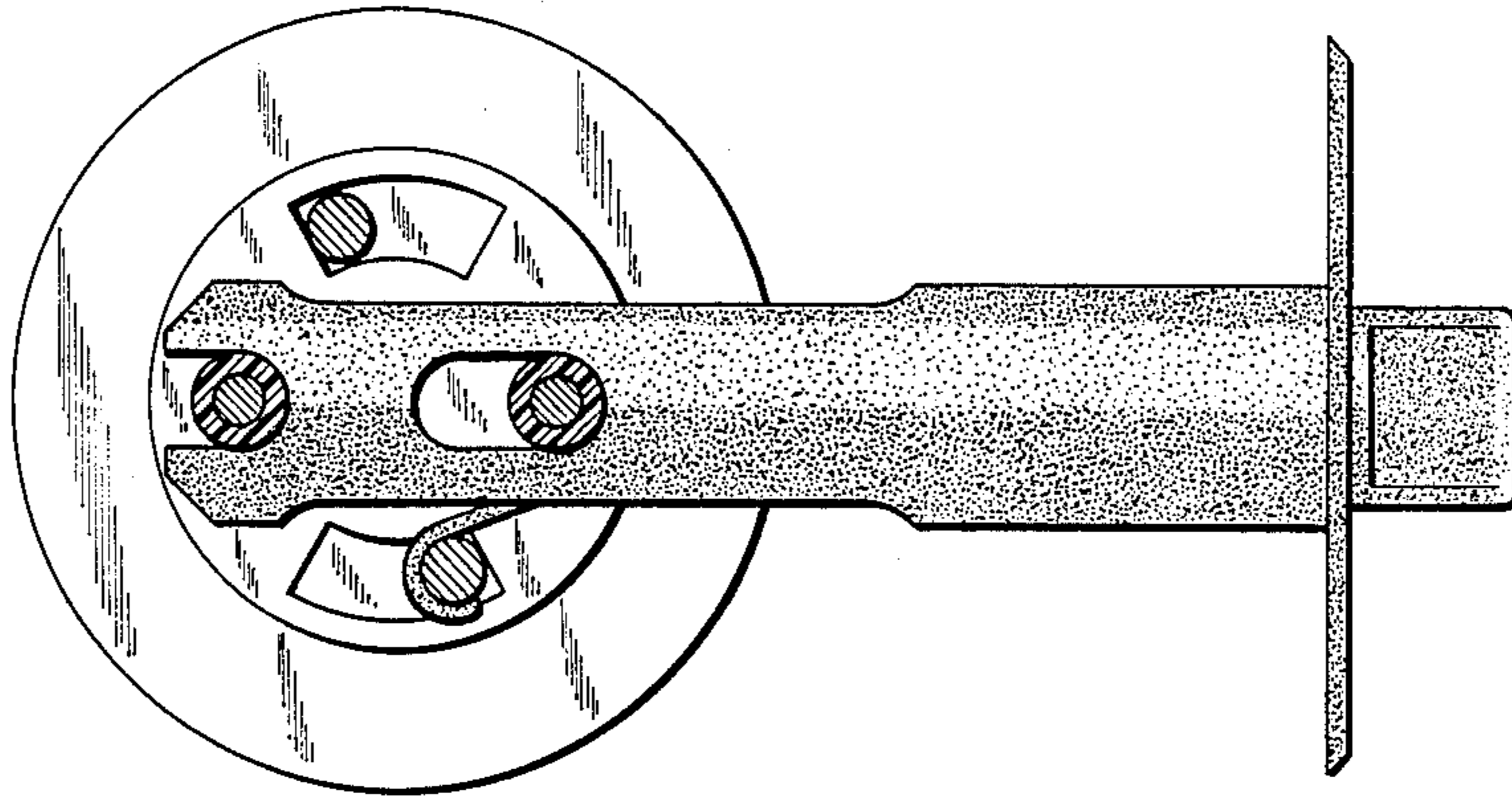


FIG. 3

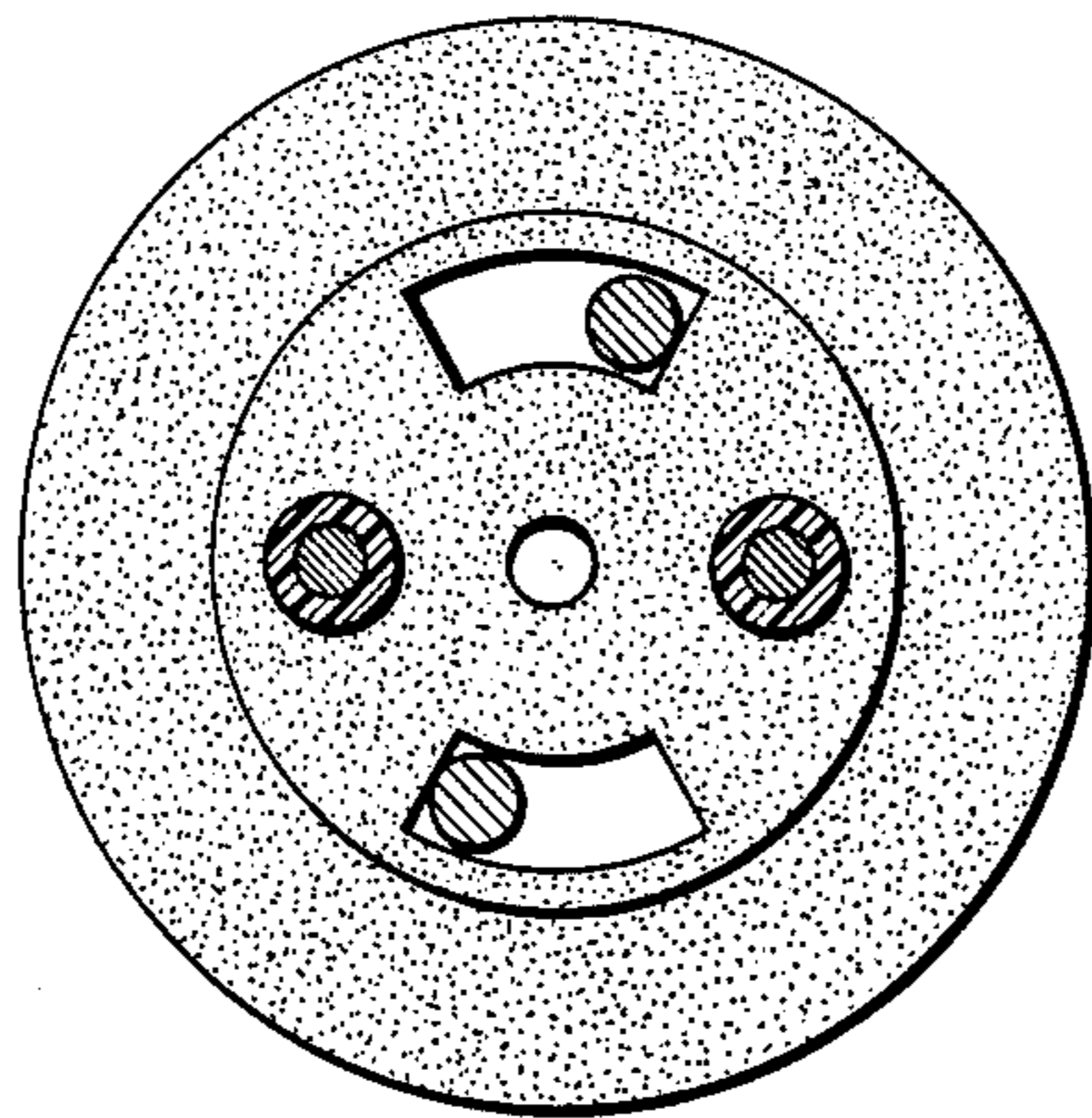


FIG. 4

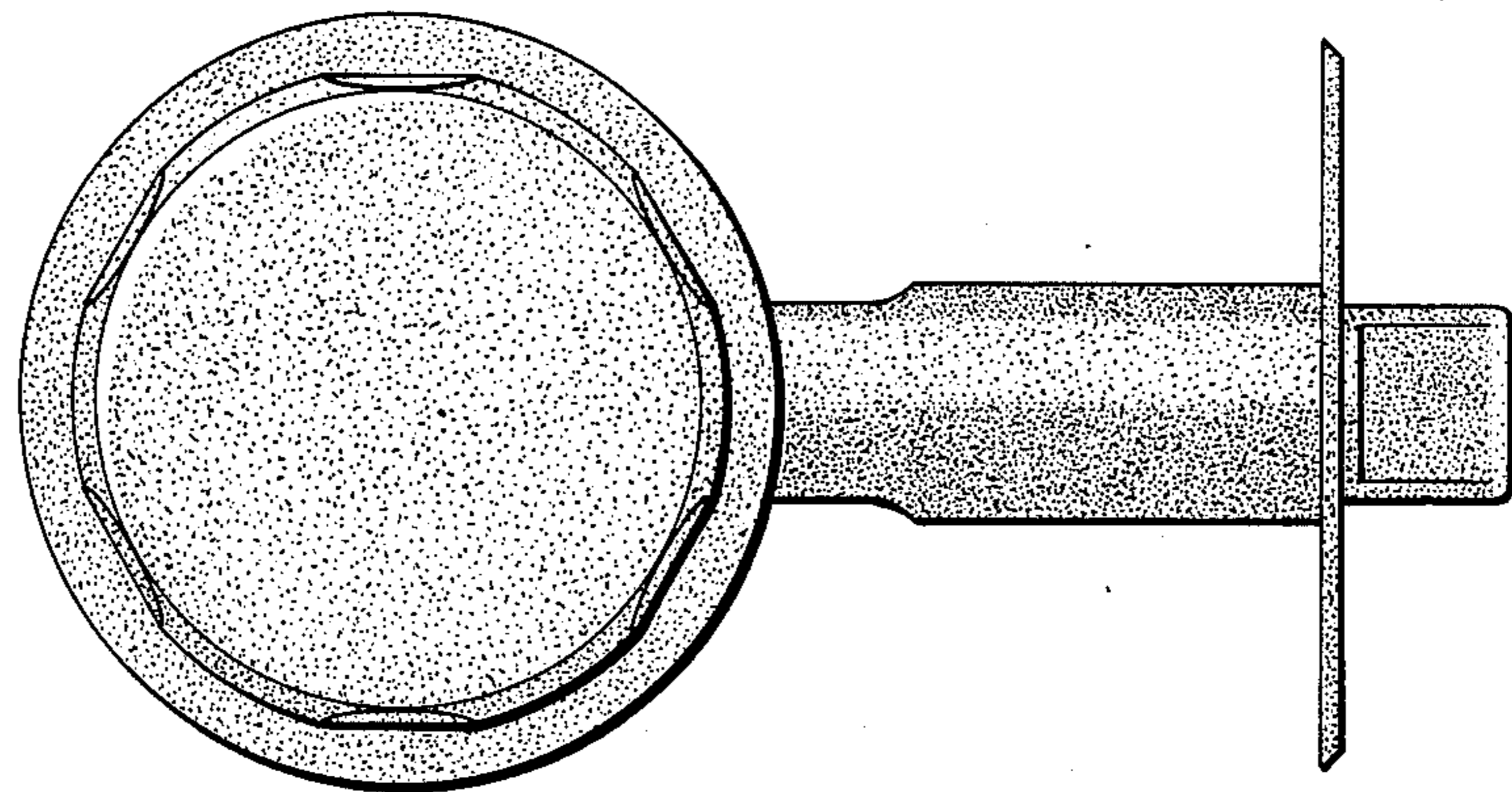


FIG. 5