

# United States Patent [19]

Matthews

[11] Patent Number: Des. 297,804

[45] Date of Patent: \*\* Sep. 27, 1988

[54] HOLE SHAPING CUTTER

[75] Inventor: Blease M. Matthews, Georgia, Vt.

[73] Assignee: Tri Tech U.S.A., Inc., Williston, Vt.

[\*\*] Term: 14 Years

[21] Appl. No.: 803,854

[22] Filed: Nov. 4, 1985

[52] U.S. Cl. .... D8/98

[58] Field of Search ..... D8/14, 98-102,  
D8/107; 30/90.1-91.2, 296 R, 262, 278, 289,  
299, 314, 316, 318, 332, 337

[56] References Cited

### U.S. PATENT DOCUMENTS

D. 211,403 6/1968 Miller ..... D8/98  
D. 241,000 8/1976 Smith ..... D8/98

2,557,191 6/1951 King ..... 30/316  
2,690,750 10/1954 Steinberg ..... 30/316  
3,548,690 12/1970 Horrocks ..... 30/90.1

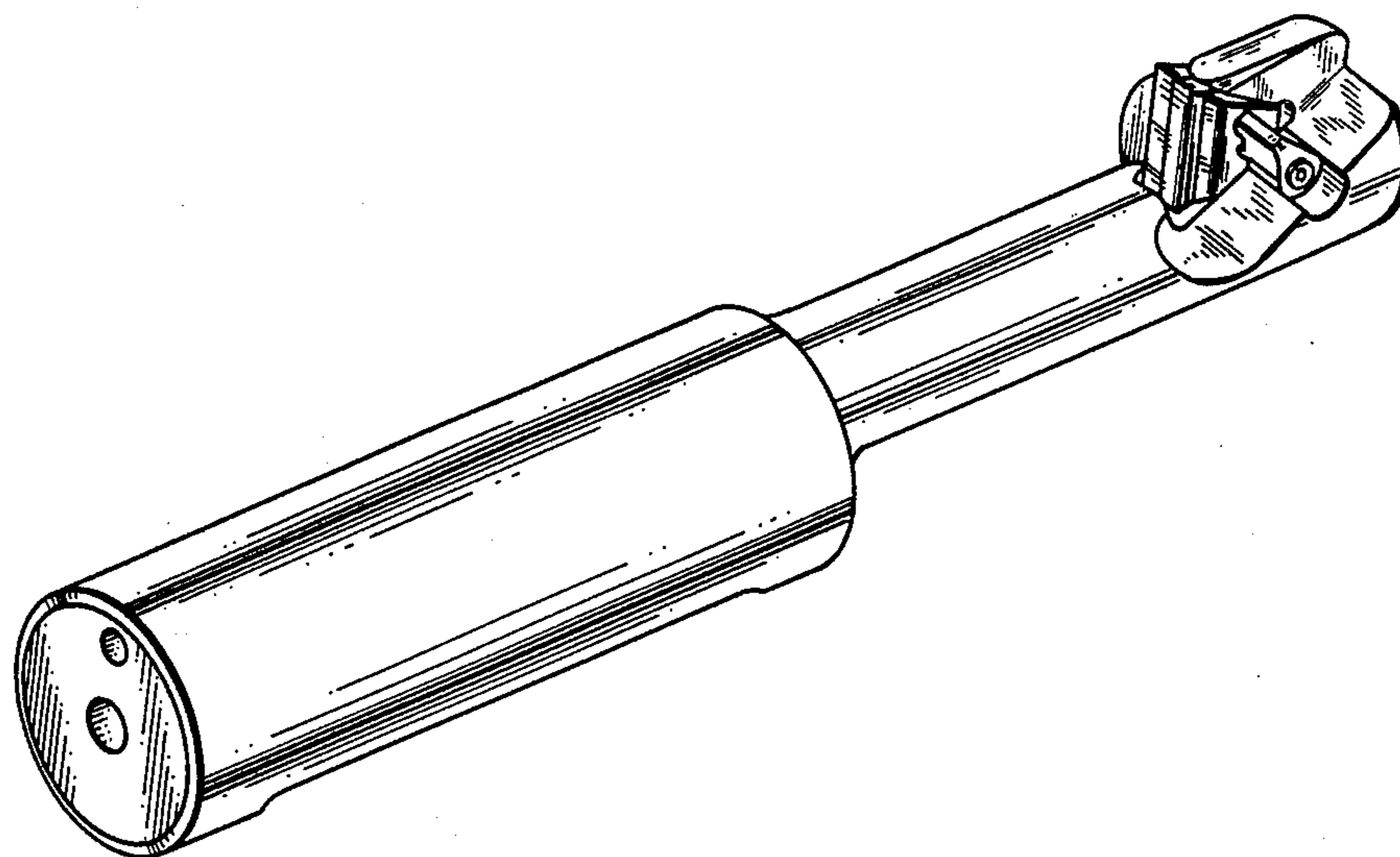
*Primary Examiner*—Wallace R. Burke  
*Assistant Examiner*—Clare E. Heflin  
*Attorney, Agent, or Firm*—Thomas N. Neiman

### [57] CLAIM

The ornamental design for a hole shaping cutter, as shown and described.

### DESCRIPTION

FIG. 1 is a side elevational view of the hole shaping cutter showing my new design;  
FIG. 2 is a rear elevational view thereof;  
FIG. 3 is a front elevational view thereof;  
FIG. 4 is a top plan view thereof;  
FIG. 5 is a bottom plan view thereof; and  
FIG. 6 is a top perspective view thereof.



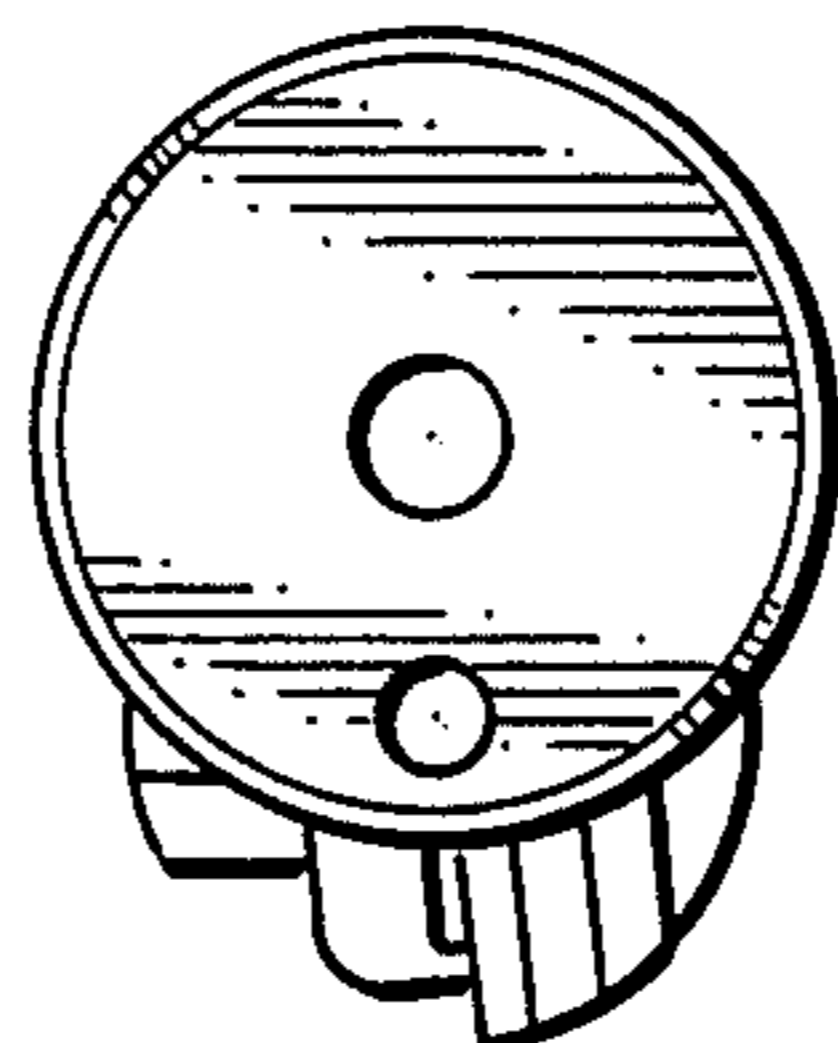


FIG. 2

FIG. 4

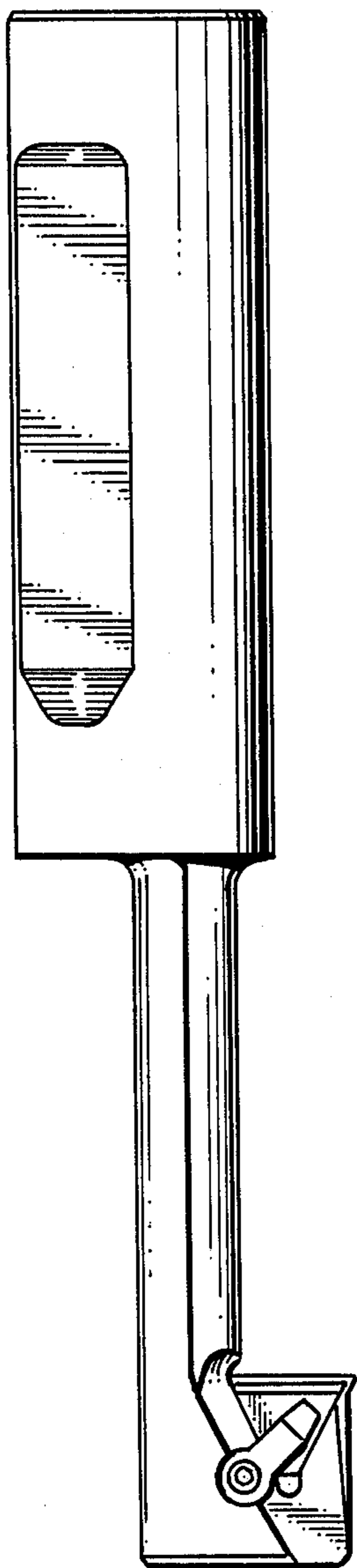


FIG. 1

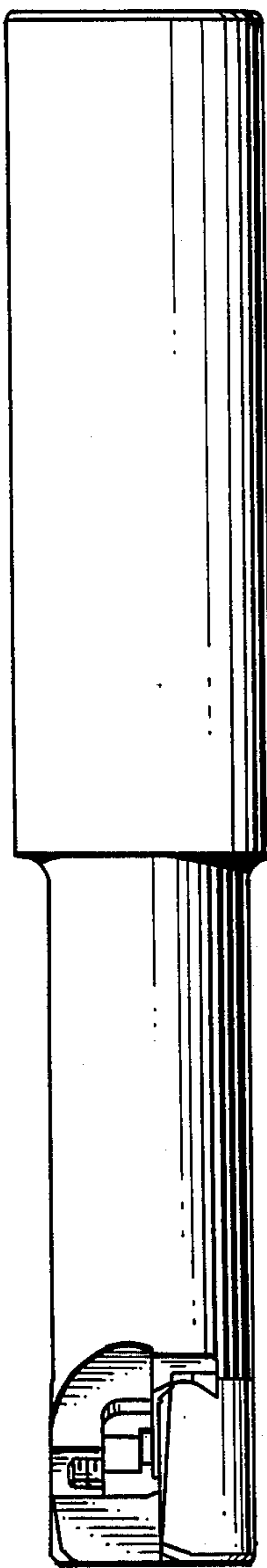


FIG. 5

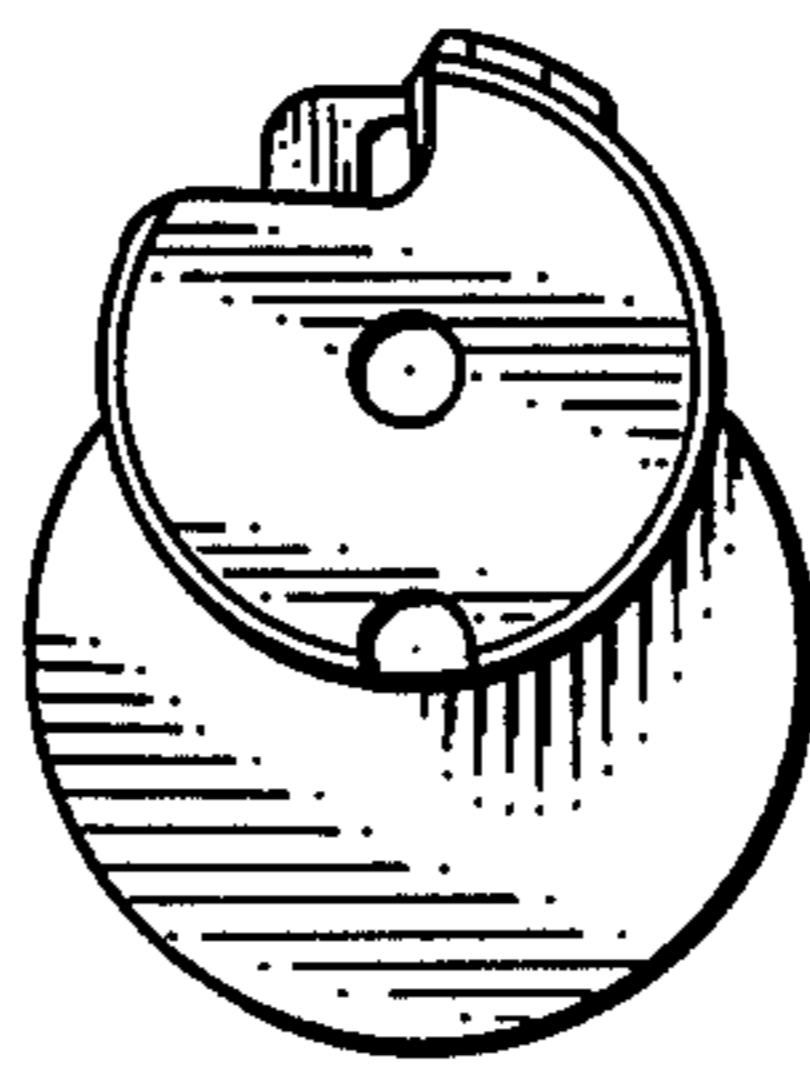
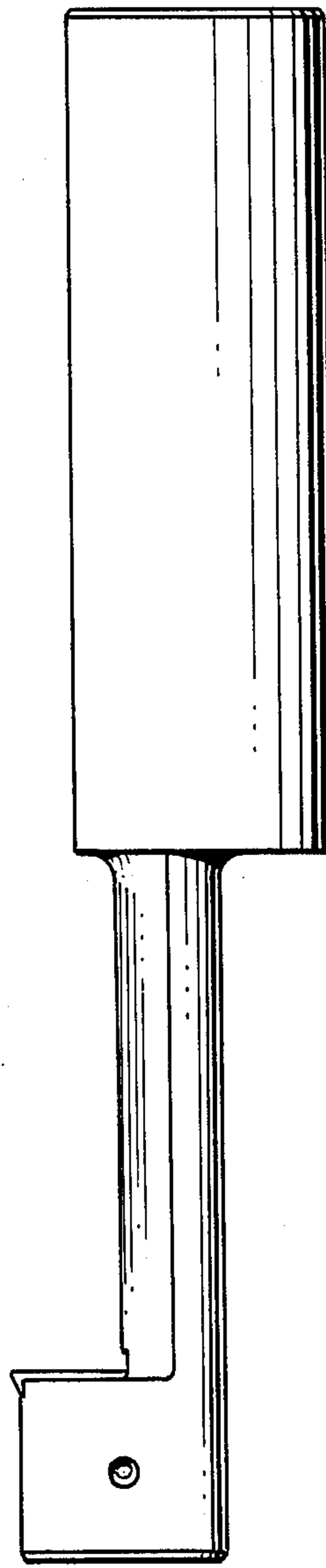


FIG. 3

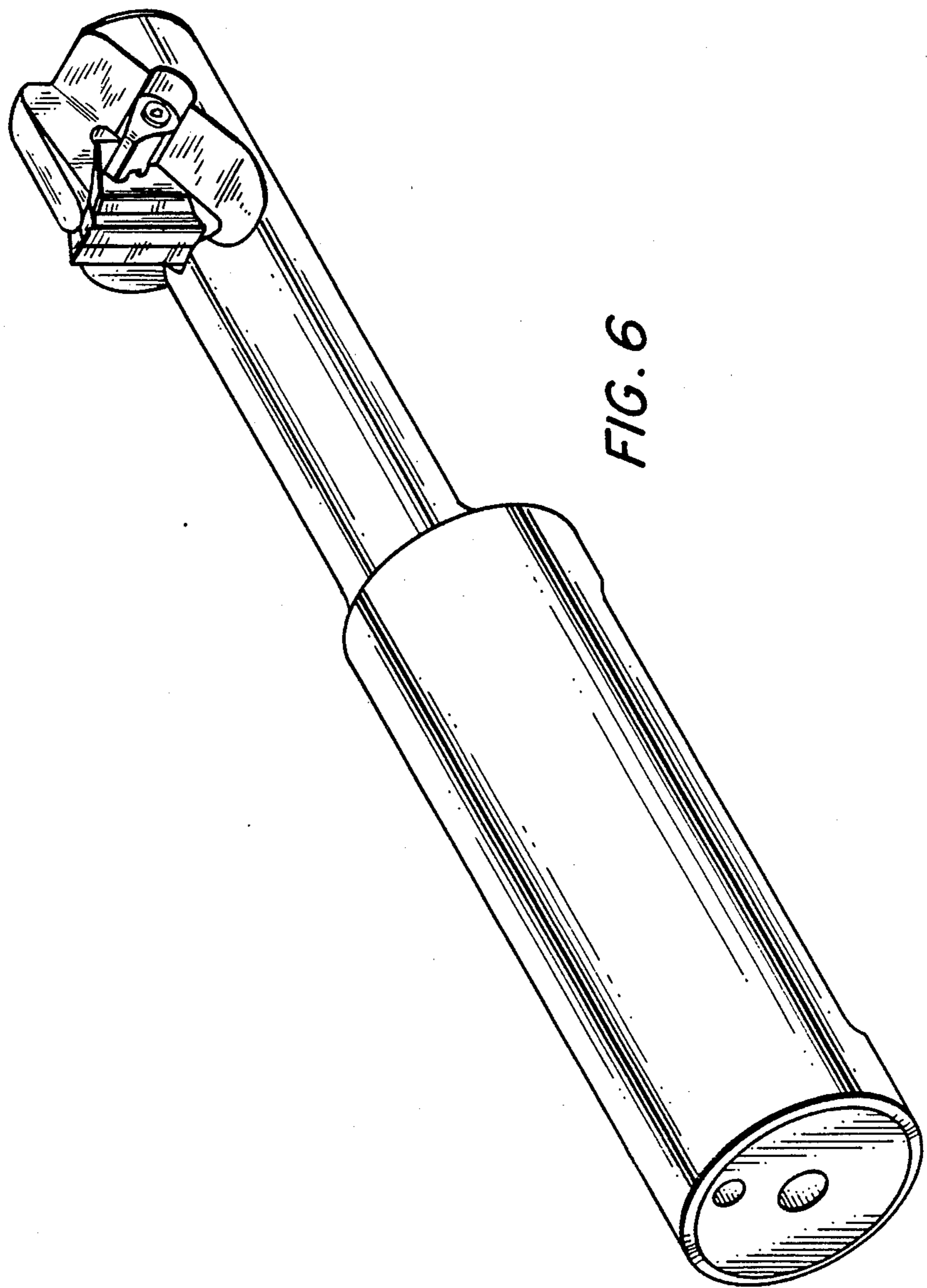


FIG. 6