

[54] **WALLPAPER APPLYING TOOL**

[76] **Inventor: Sven O. Olsson, 7951 Chicago Ave. South, Minneapolis, Minn. 55420**

[**] **Term: 14 Years**

[21] **Appl. No.: 740,485**

[22] **Filed: Jun. 3, 1985**

[52] **U.S. Cl. D8/14; D8/16**

[58] **Field of Search D8/14, 16, 19, 20, 45, D8/47; D32/46, 47; 15/105.5, 111, 236 R; 30/168, 169; 7/105, 124; 118/504, 505**

[56] **References Cited**

U.S. PATENT DOCUMENTS

D. 204,480	4/1966	Skarsten	15/236 R
D. 275,930	10/1984	Sheppard	D8/16
684,549	10/1901	McDermott	15/111
695,965	3/1902	Taylor et al.	118/504
2,425,215	8/1947	West	15/236 R
3,023,444	3/1962	Tims, Jr.	D8/45 X
3,962,789	6/1976	Groff, Sr.	118/504
4,051,808	10/1977	Trupp	118/504
4,357,898	11/1982	Fehrenbacher	118/505

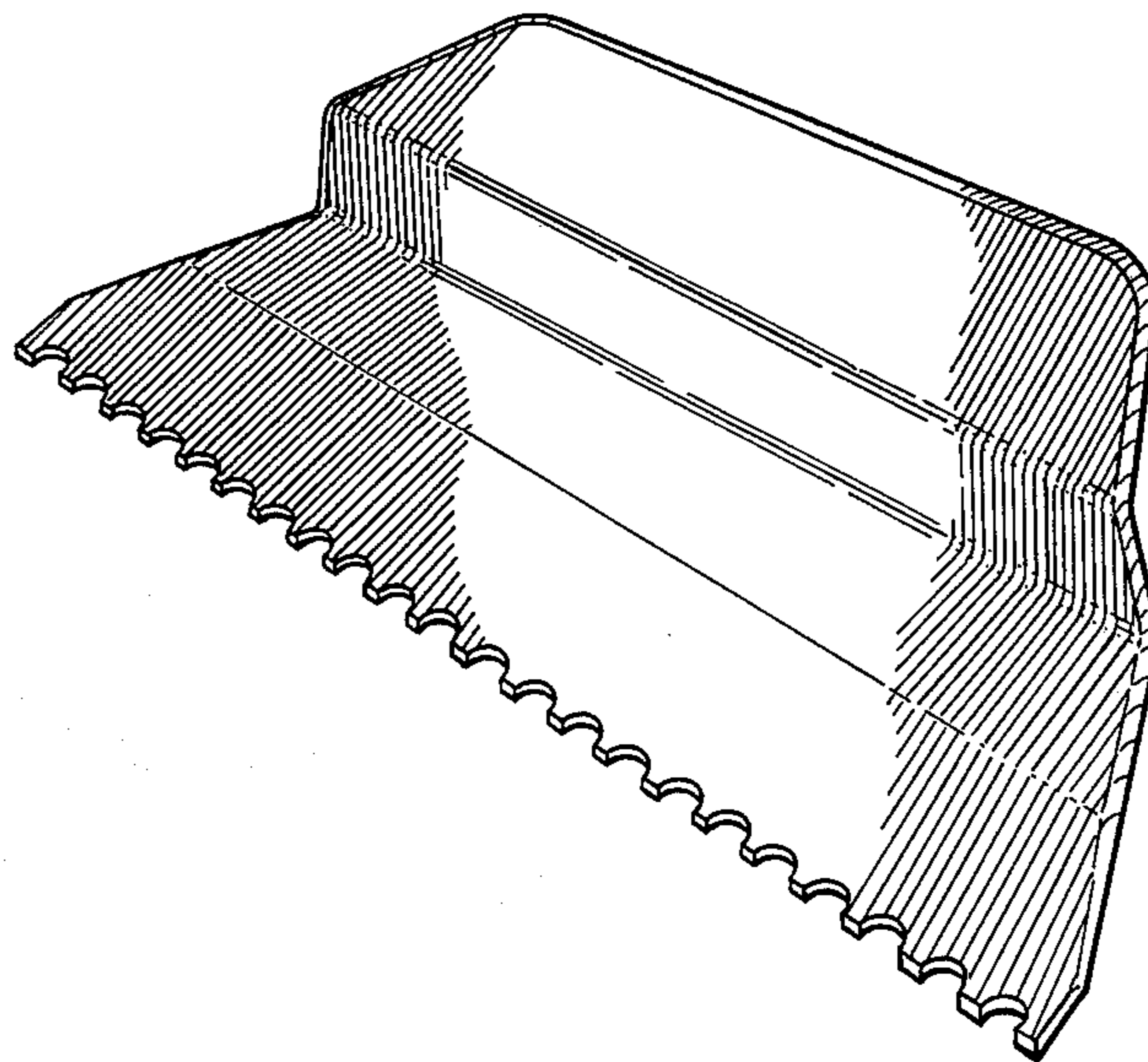
Primary Examiner—Wallace R. Burke
Assistant Examiner—Clare E. Heflin
Attorney, Agent, or Firm—Burd, Bartz & Gutenkauf

[57] **CLAIM**

The ornamental design for a wallpaper applying tool, as shown and described.

DESCRIPTION

FIG. 1 is a perspective of a wallpaper applying tool showing my new design;
FIG. 2 is a top plan view thereof;
FIG. 3 is a bottom plan view thereof;
FIG. 4 is a side elevational view thereof, the opposite side being a mirror image;
FIG. 5 is a front elevational view thereof;
FIG. 6 is a rear elevational view thereof;
FIG. 7 is a perspective view of the wallpaper applying tool showing an alternate embodiment of my new design;
FIG. 8 is a top plan view thereof;
FIG. 9 is a bottom plan view thereof;
FIG. 10 is a side elevational view thereof, the opposite side being a mirror image;
FIG. 11 is a front elevational view thereof;
FIG. 12 is a rear elevational view thereof.



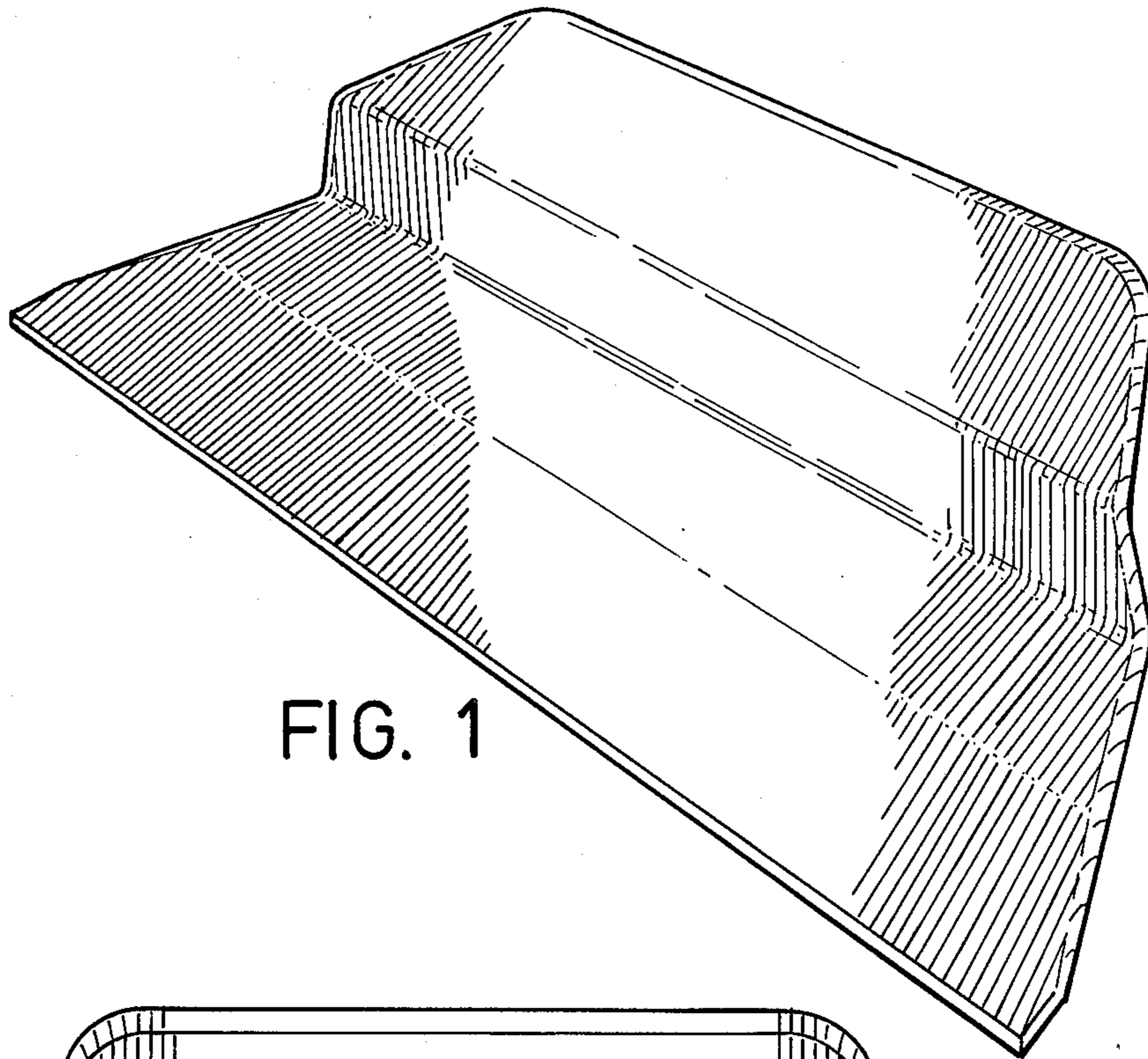


FIG. 1

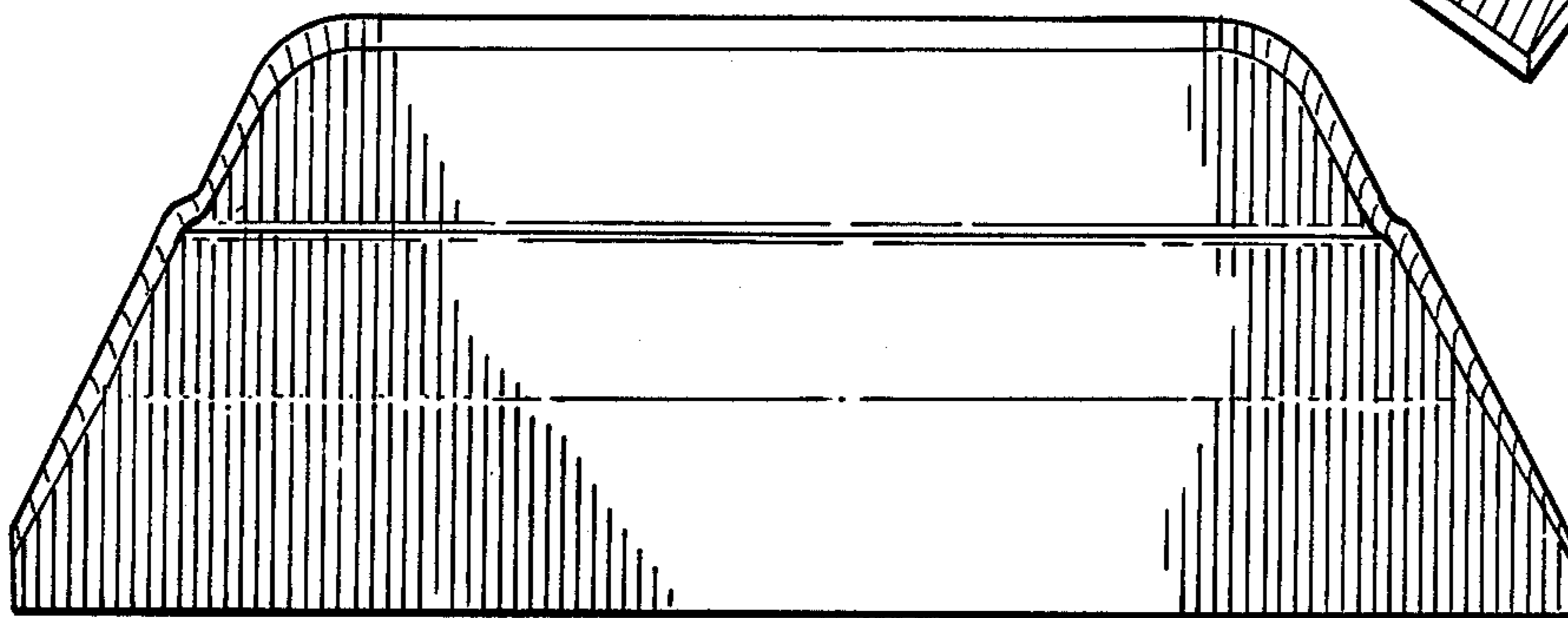


FIG. 2

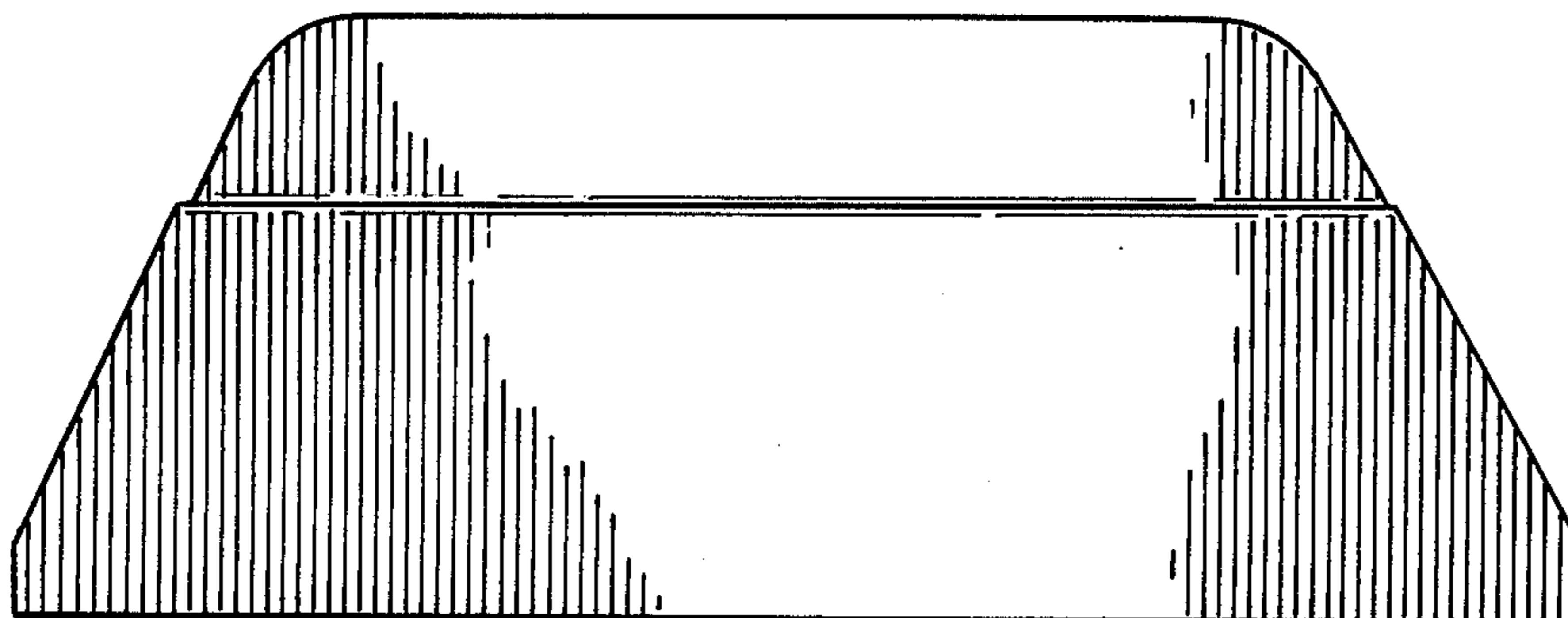


FIG. 3

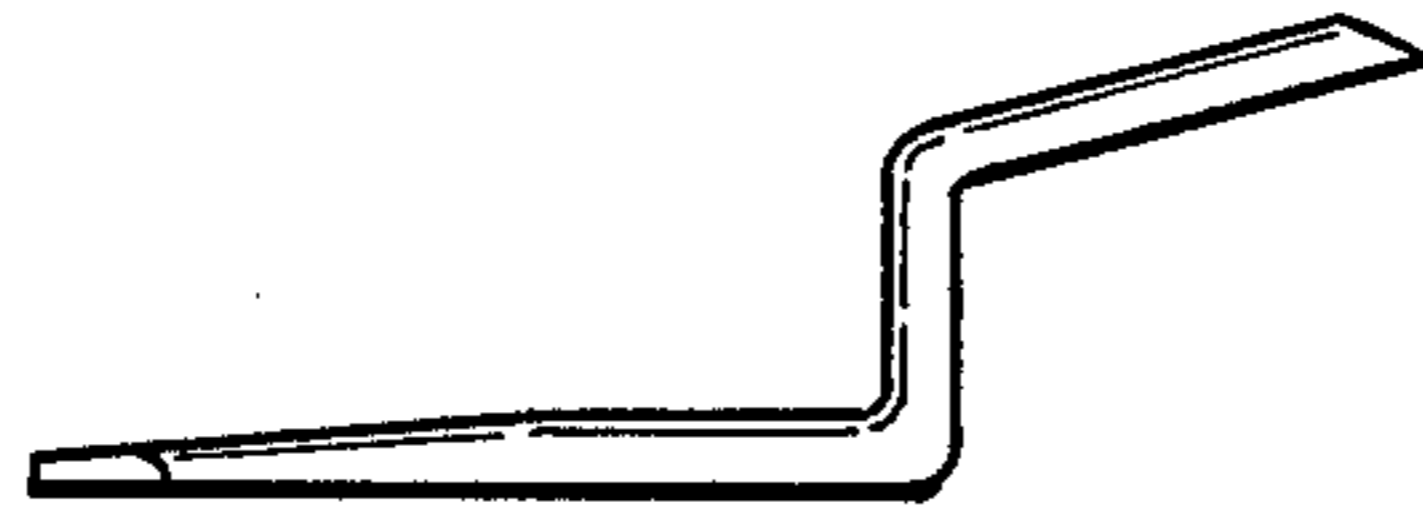


FIG. 4

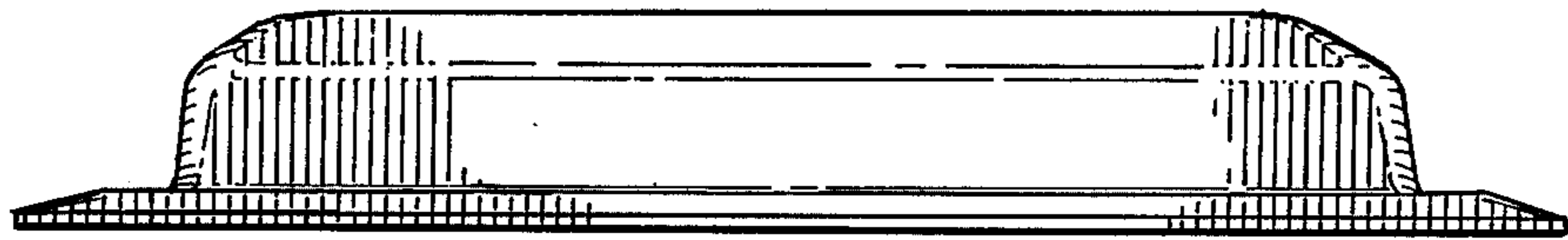


FIG. 5

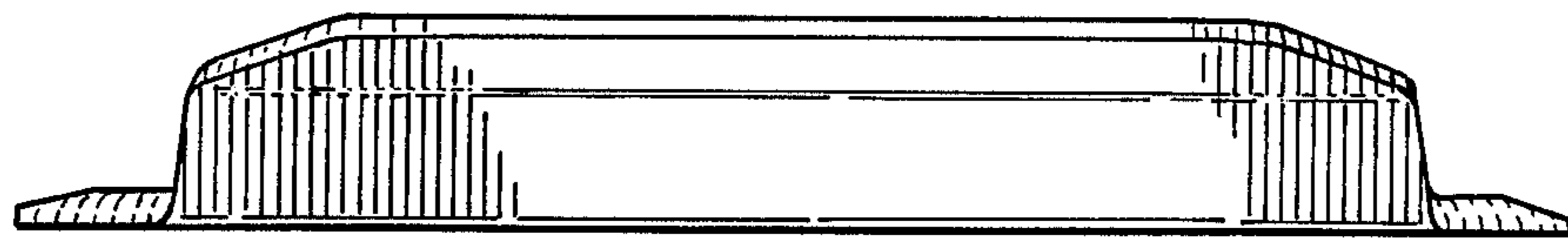


FIG. 6

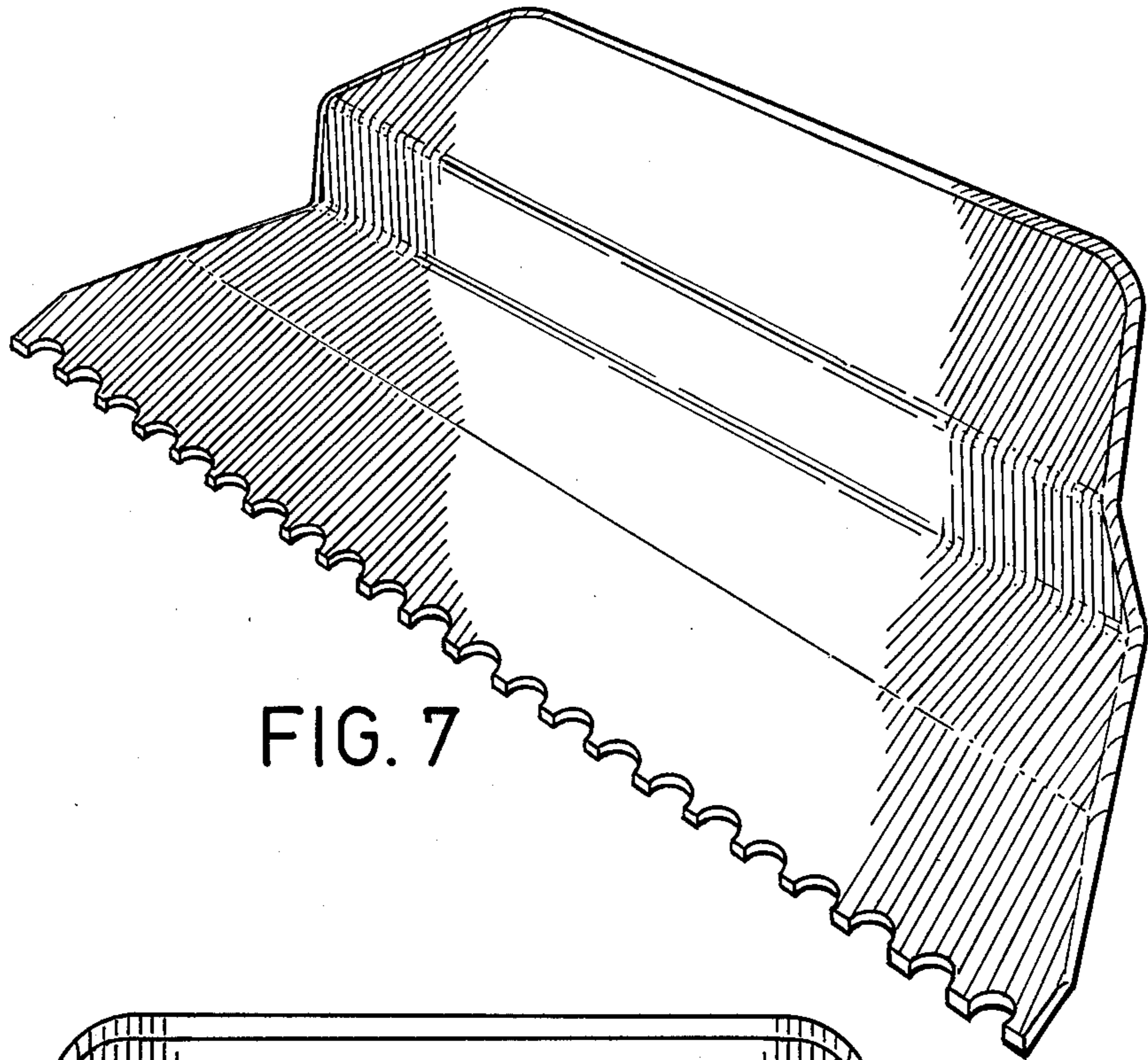


FIG. 7

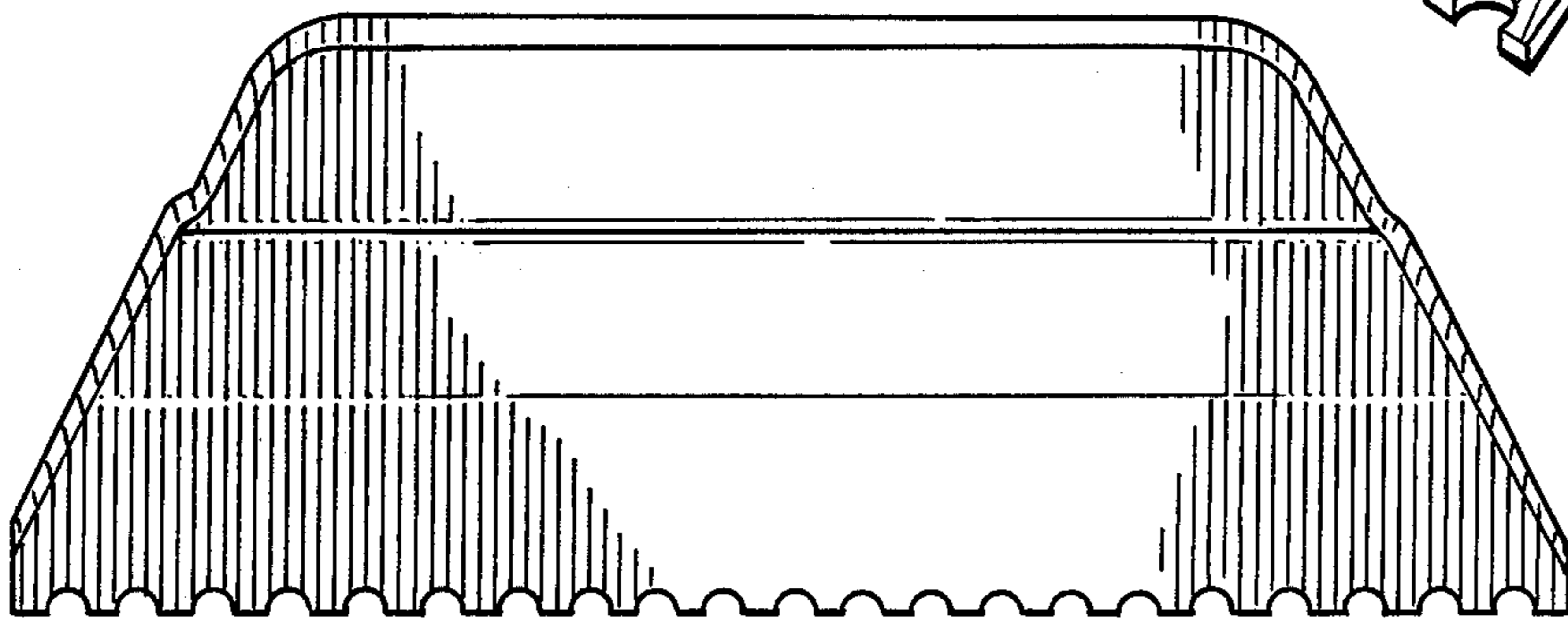


FIG. 8

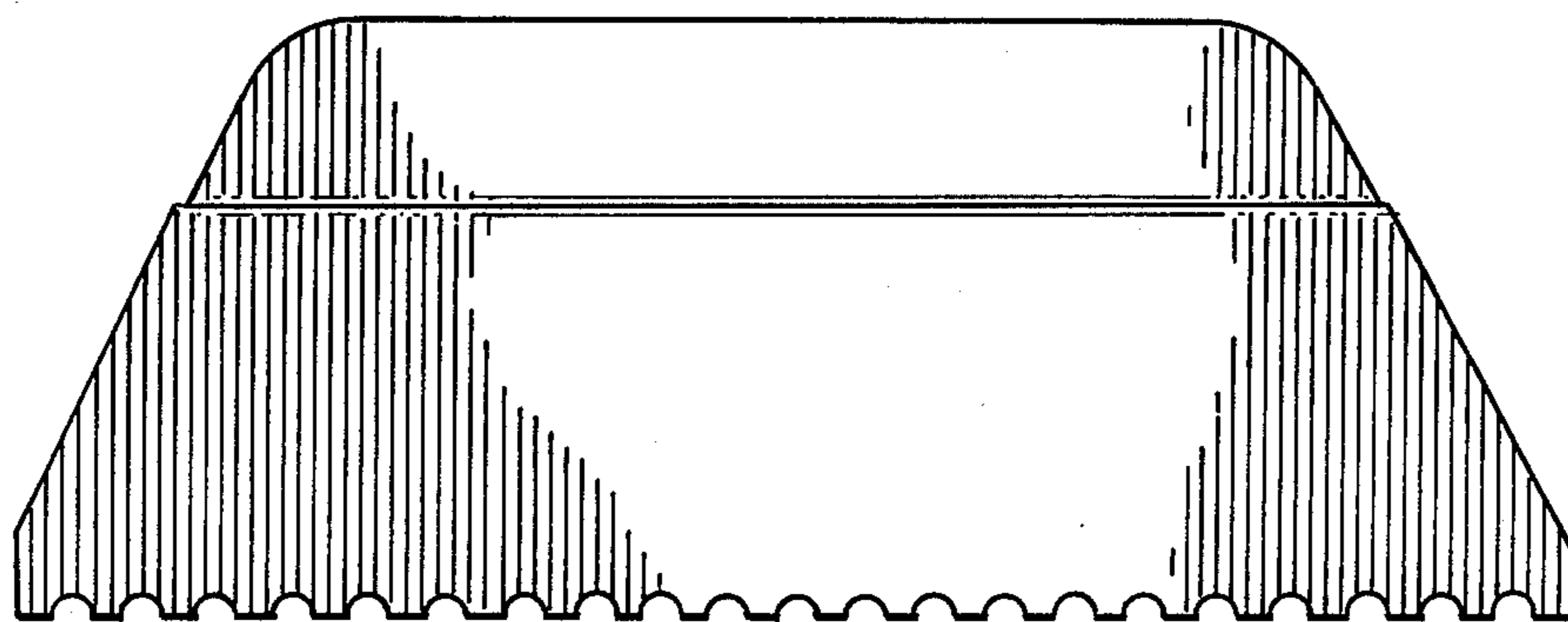


FIG. 9

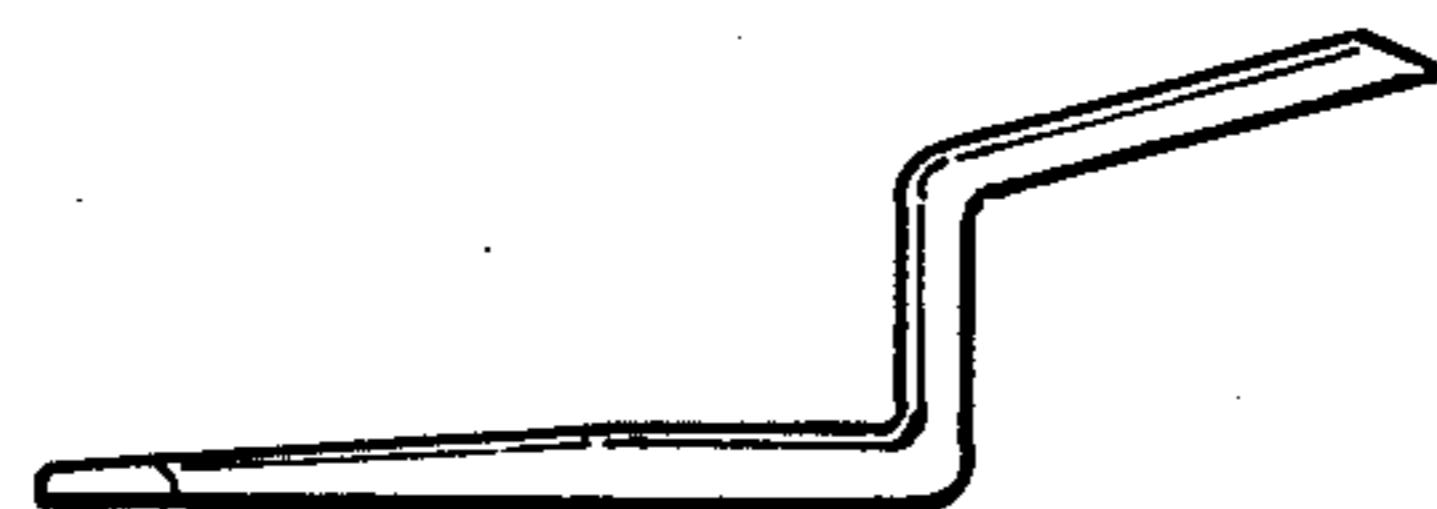


FIG. 10

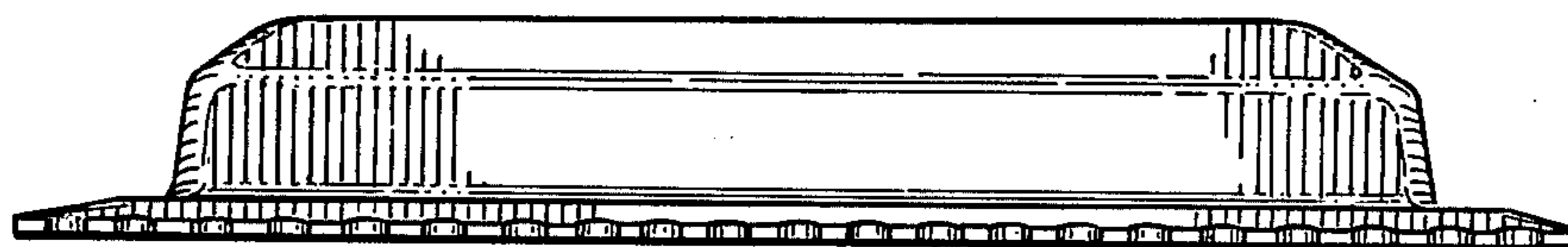


FIG. 11

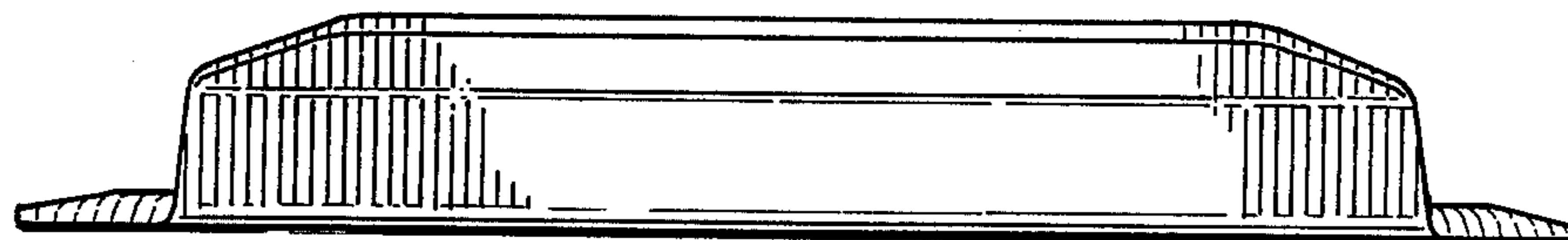


FIG. 12