

United States Patent [19]

Hammer

[11] Patent Number: Des. 297,799

[45] Date of Patent: ** Sep. 27, 1988

[54] COMBINATION DRINKING CUP AND SNACK RECEPTACLE

[76] Inventor: Linda S. Hammer, 306 H. Chandlers Dr., Rockwall, Tex. 75087

[**] Term: 14 Years

[21] Appl. No.: 806,553

[22] Filed: Nov. 26, 1985

[52] U.S. Cl. D7/70

[58] Field of Search D7/70, 71, 27;
215/100.5, 100 R, 100 A, 100.5, 101; D1/101,
102, 105; 229/1.5 H, 1.5 R, DIG. 6, DIG. 7;
211/74, 88, 71, 75; D9/455

[56] References Cited

U.S. PATENT DOCUMENTS

D. 286,250 10/1986 Prescott D7/70 X

2,174,586 10/1939 Leppke D7/45 X
2,561,022 7/1951 Jones D7/27 X
2,920,804 1/1960 Minton 215/100.5 X

Primary Examiner—Bernard Ansher
Assistant Examiner—Terry A. Pfeffer
Attorney, Agent, or Firm—Hubbard, Thurman, Turner & Tucker

[57] CLAIM

The ornamental design for a combination drinking cup and snack receptacle, as shown and described.

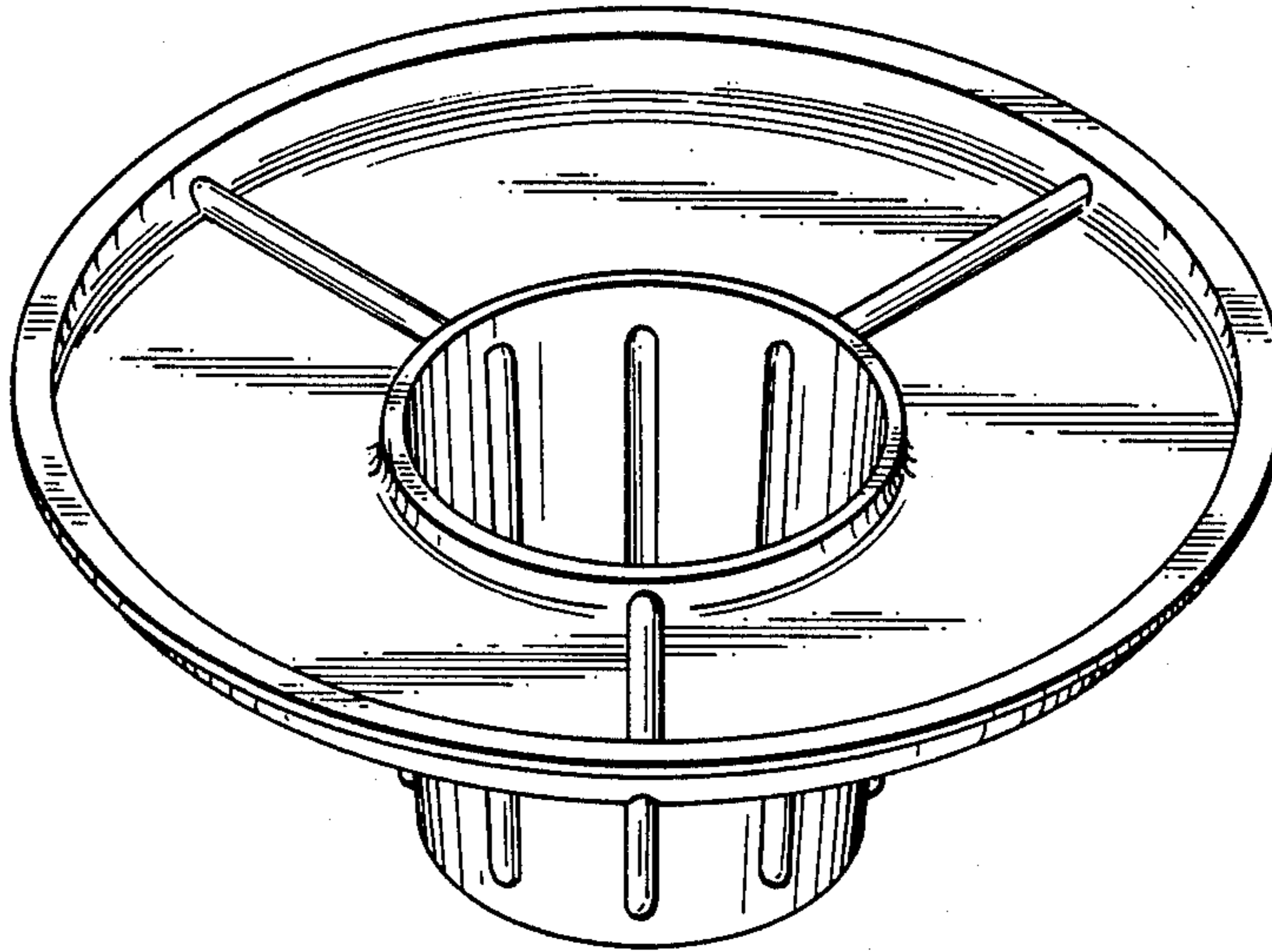
DESCRIPTION

FIG. 1 is a front perspective view of a combination drinking cup and snack receptacle showing my new design;

FIG. 2 is a side elevation view thereof;

FIG. 3 is a top plan view thereof; and,

FIG. 4 is a bottom plan view thereof.



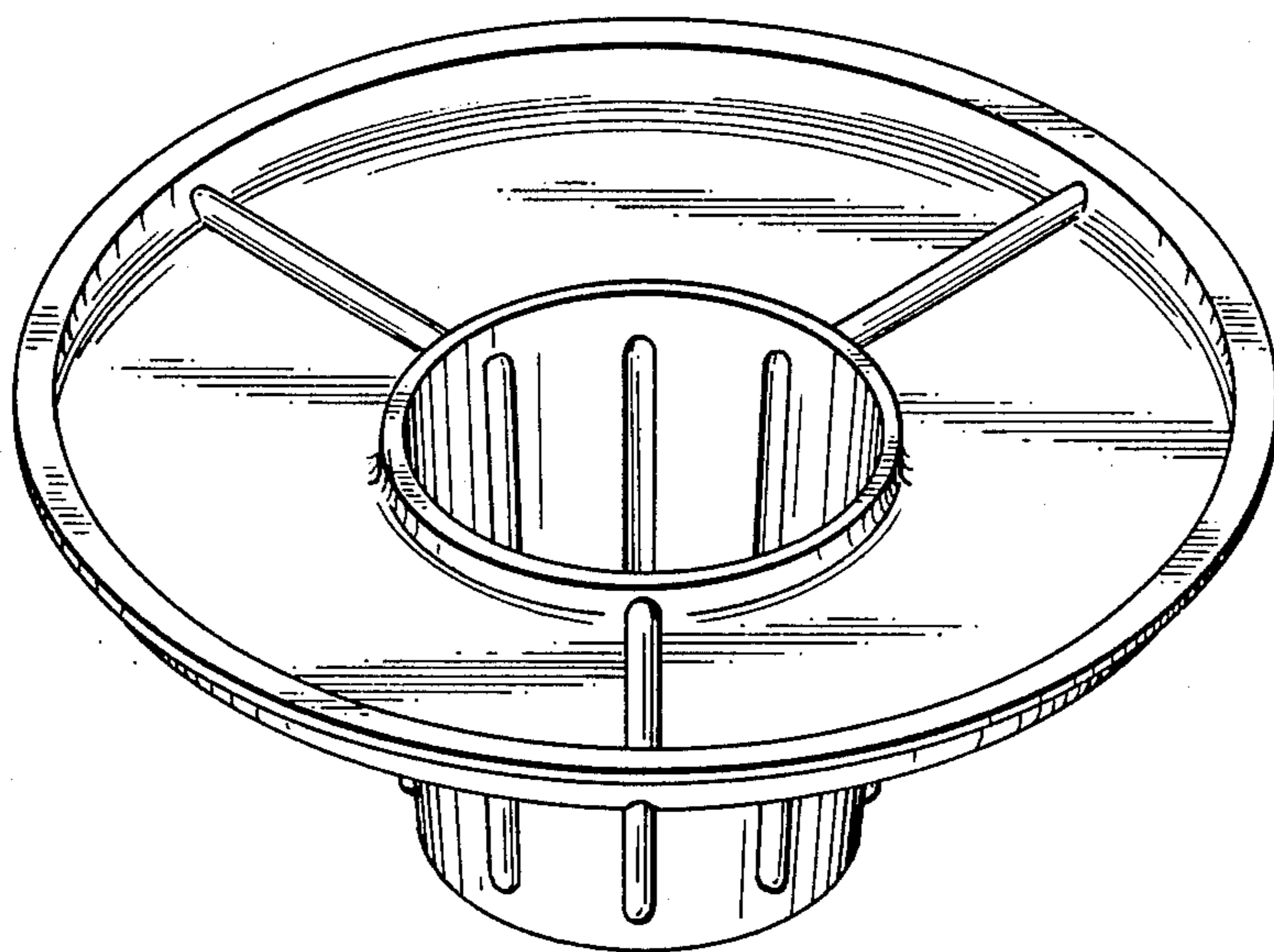


FIG. 1

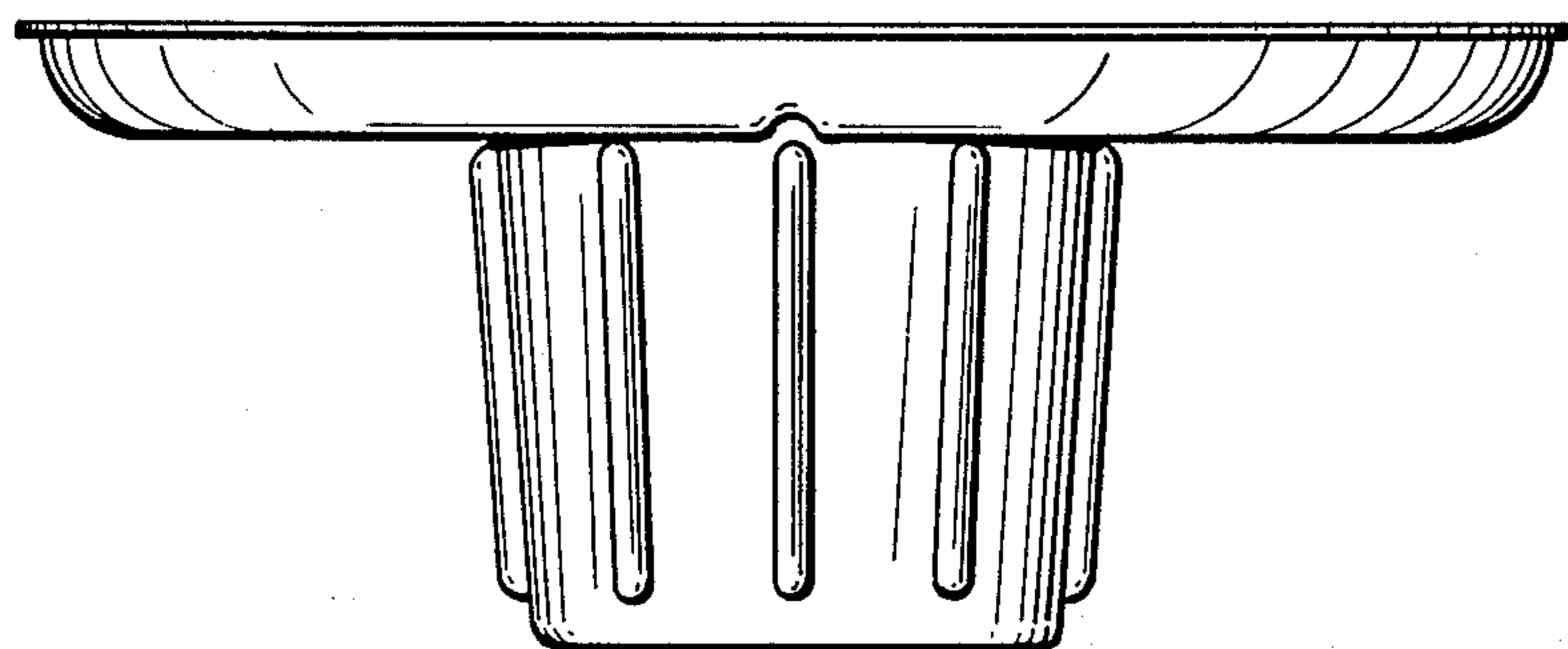


FIG. 2

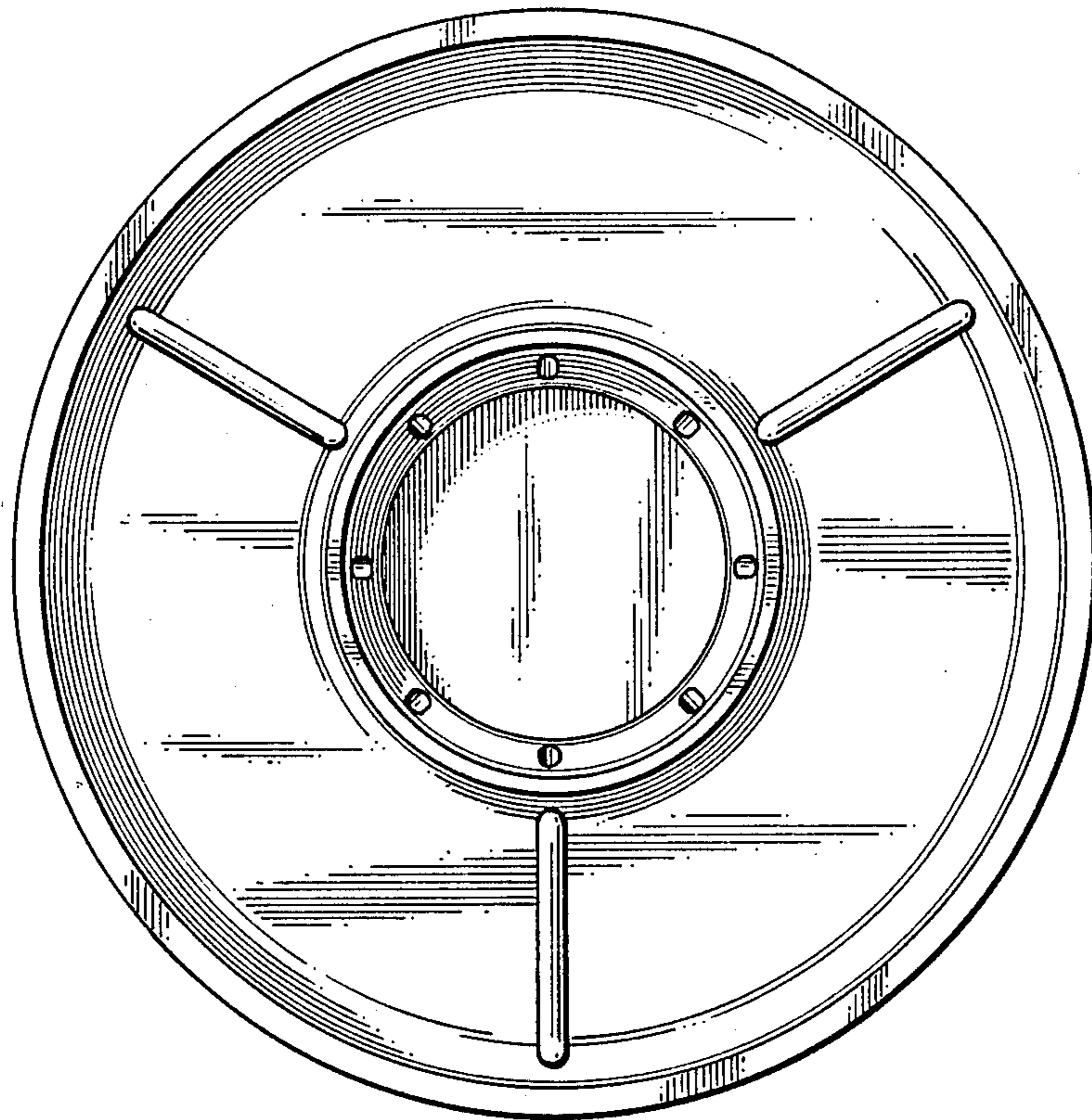


FIG. 3

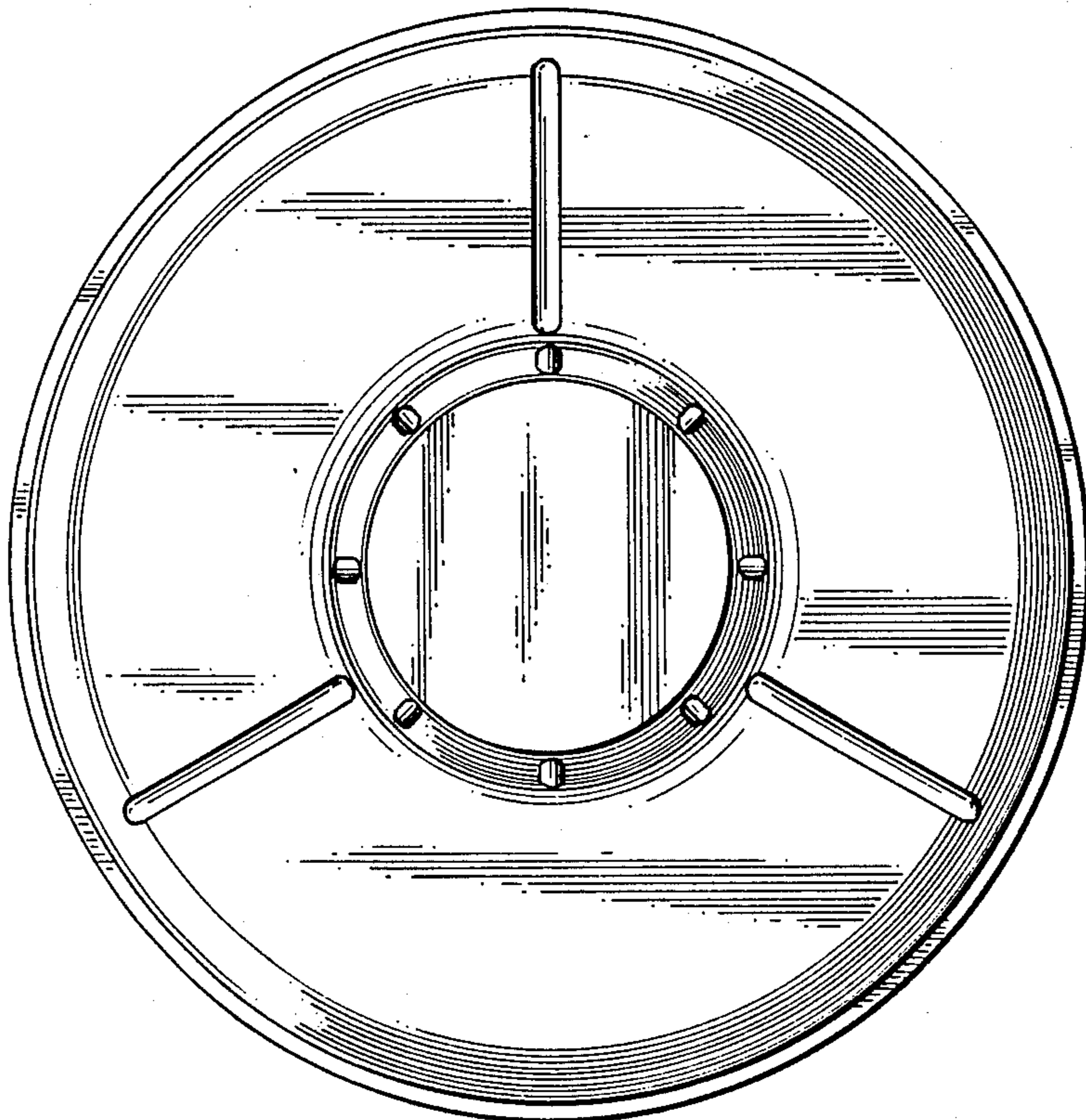


FIG. 4