

[54] WIRE-TYPE SLICER

[76] Inventor: Pak H. Leung, 95, Wai Yip Street, 1st Floor, Wing Ying Industrial Bldg., Kwun Tong, Kowloon, Hong Kong

[\*\*] Term: 14 Years

[21] Appl. No.: 803,934

[22] Filed: Nov. 7, 1985

[30] Foreign Application Priority Data

Jul. 25, 1985 [GB] United Kingdom ..... 1028181  
[52] U.S. Cl. .... D7/43; D7/106  
[58] Field of Search ..... D7/43, 106, 99; 30/114, 30/117

[56] References Cited  
PUBLICATIONS

House Furnishing Review, 1/40, p. 115, Egg Slicer, top, left corner.

Ekco catalog, 5/81, p. 67, Egg Slicer, top of page.

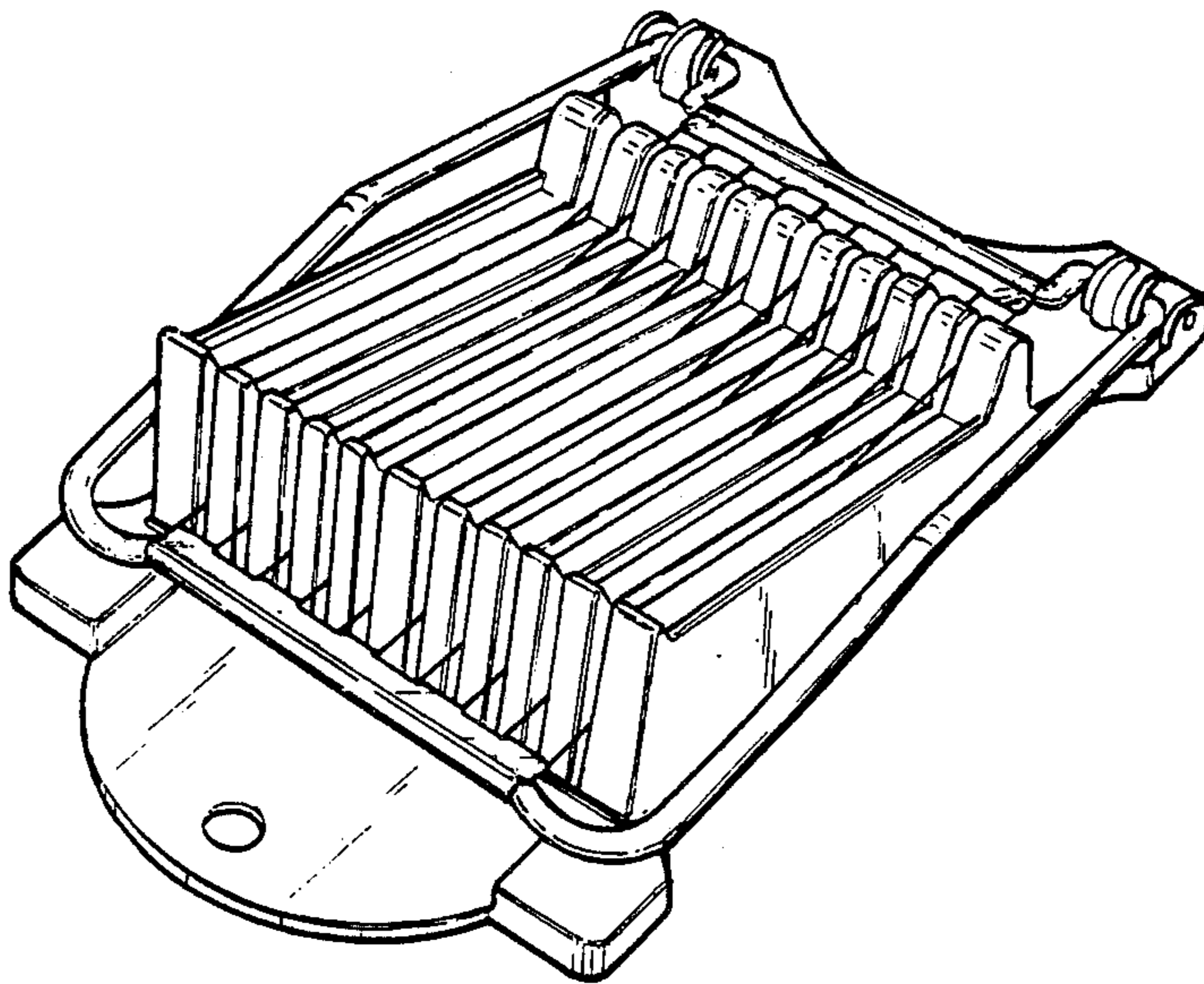
Primary Examiner—Bernard Ansher  
Assistant Examiner—Terry Pfeffer  
Attorney, Agent, or Firm—Rosen, Dainow & Jacobs

[57] CLAIM

The ornamental design for a wire-type slicer, substantially as shown and described.

DESCRIPTION

FIG. 1 is a top, front, right side perspective view of a wire-type slicer showing my new design;  
FIG. 2 is a front elevational view thereof;  
FIG. 3 is a right side elevational view thereof, the opposite side being a mirror image;  
FIG. 4 is a top plan view thereof;  
FIG. 5 is a rear elevational view thereof;  
FIG. 6 is a bottom plan view thereof; and,  
FIG. 7 is a rear, top, left side perspective view thereof in an open position.



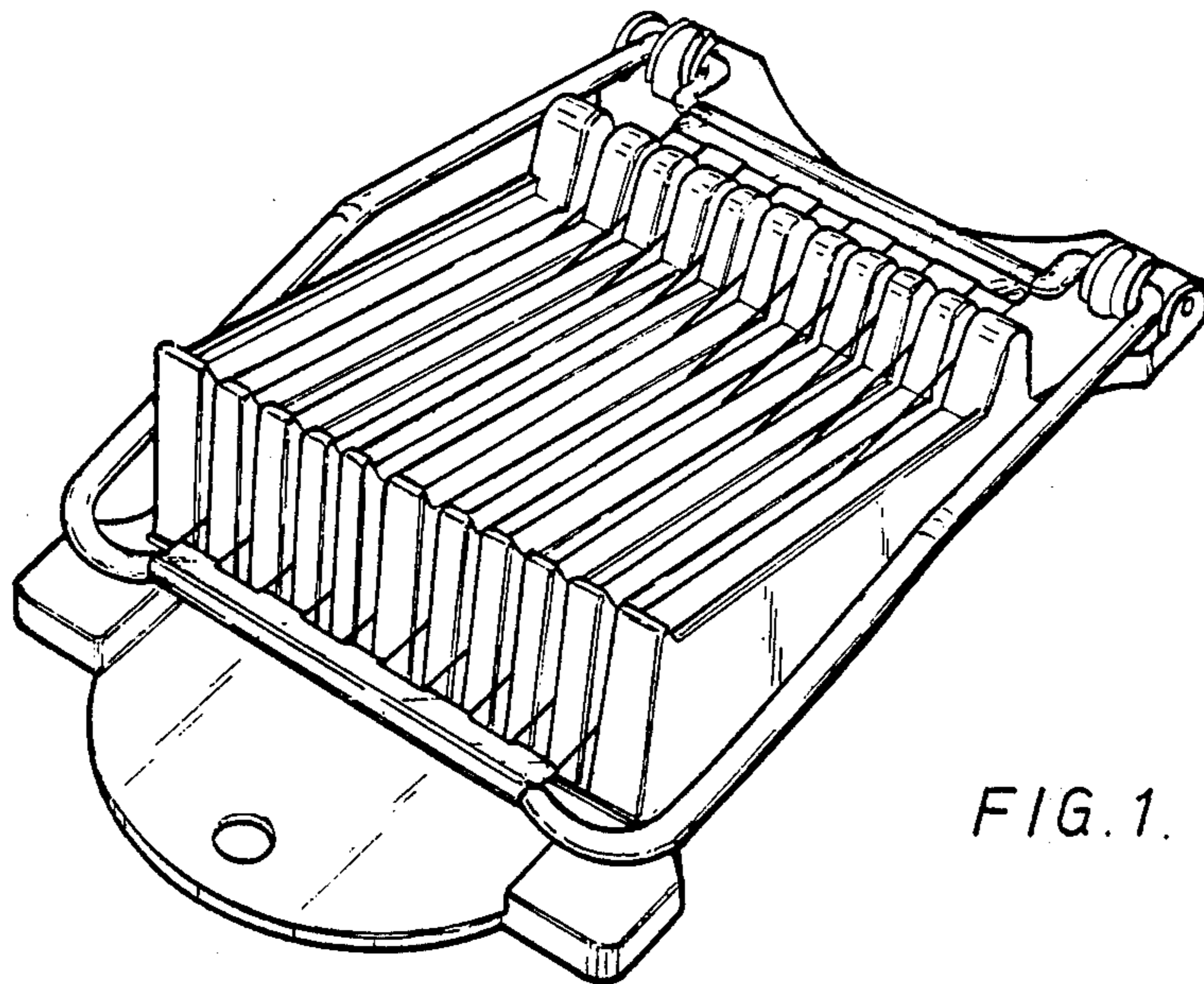


FIG. 1.

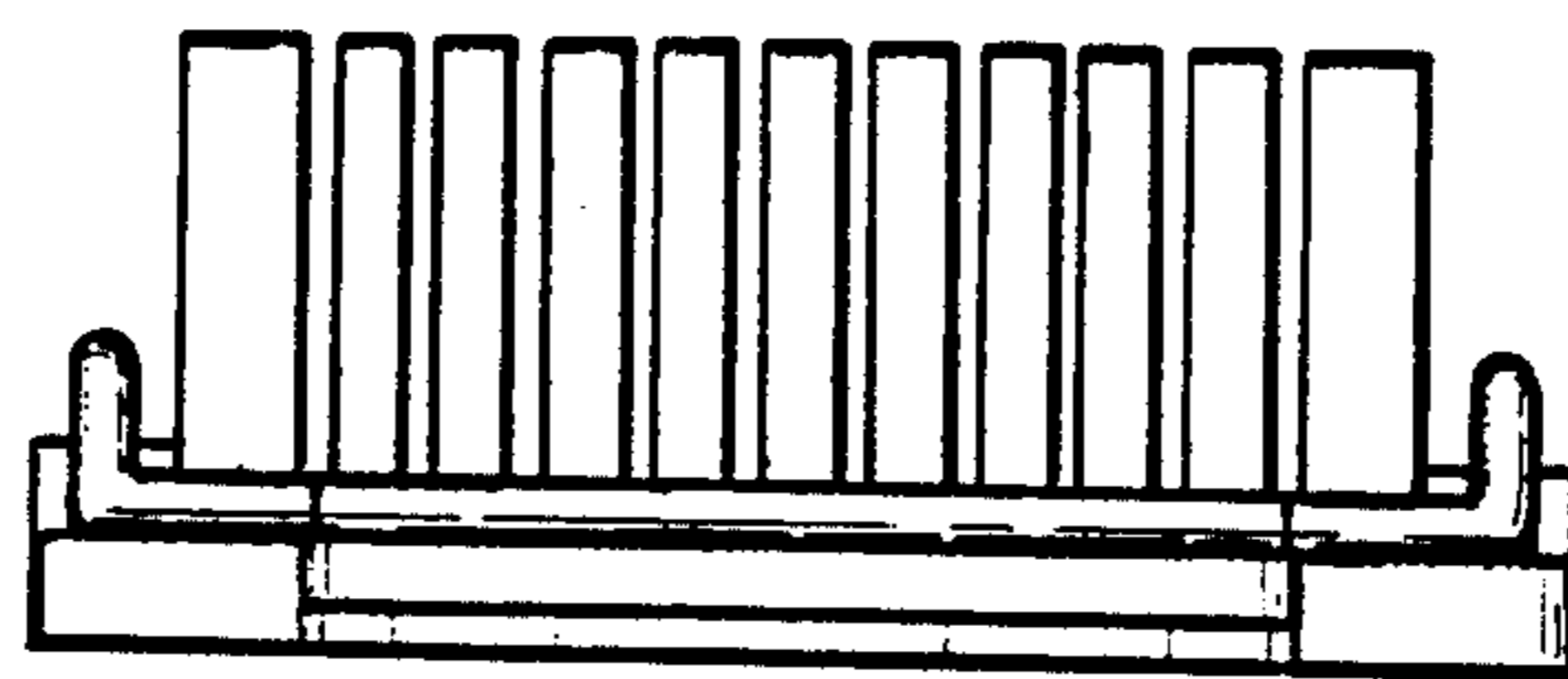


FIG. 2.

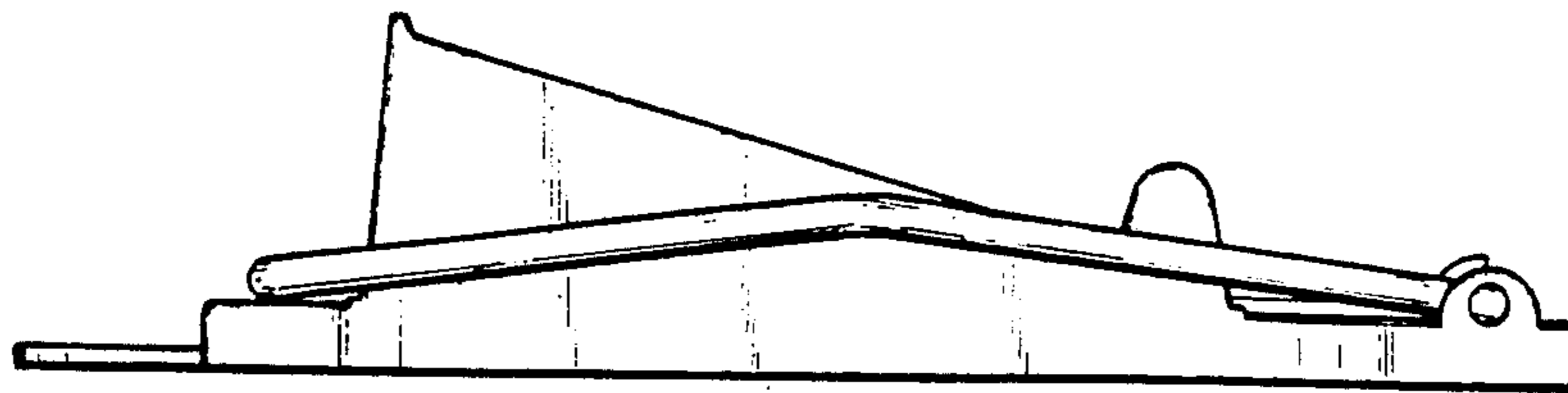


FIG. 3.

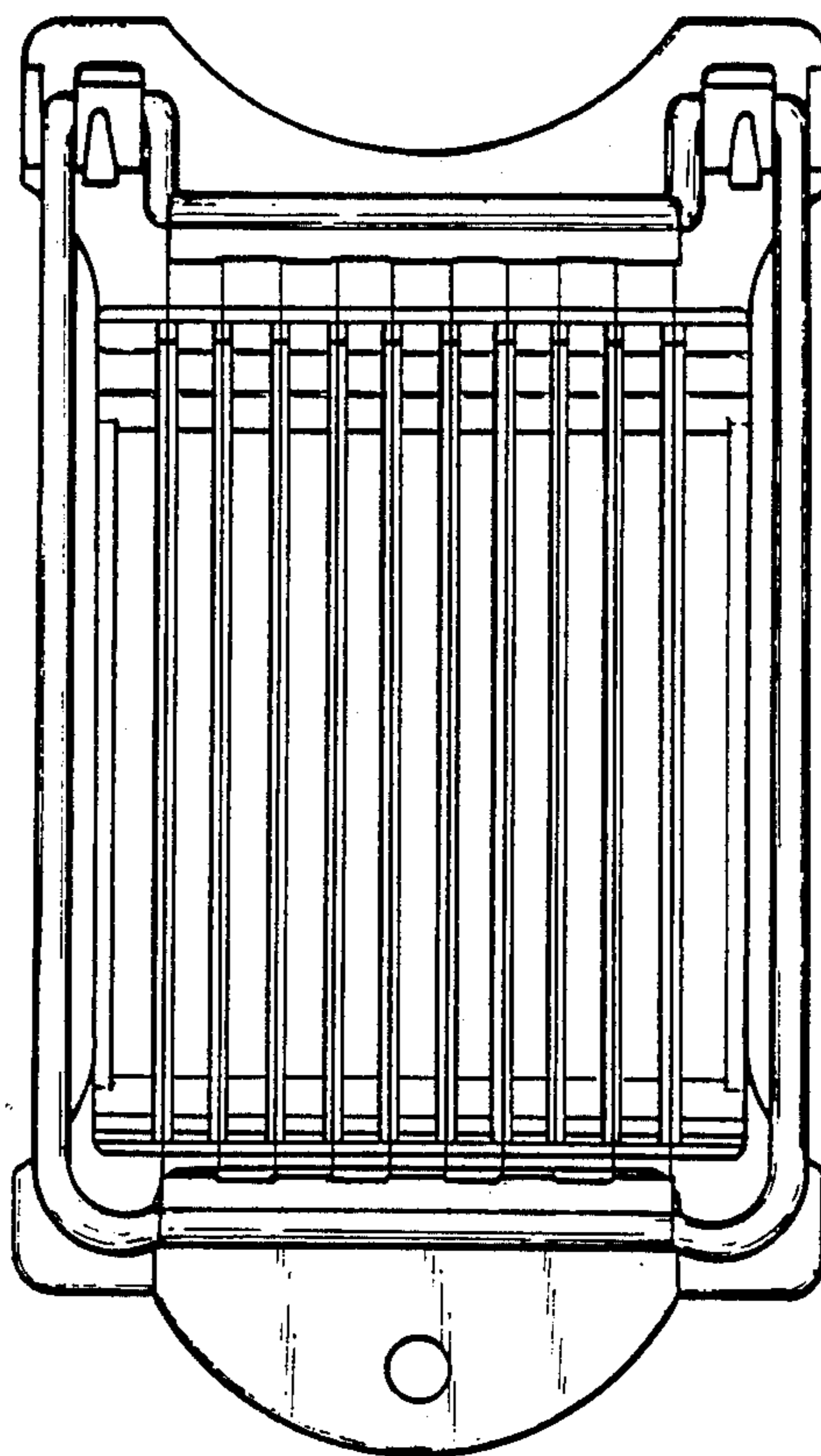


FIG. 4.

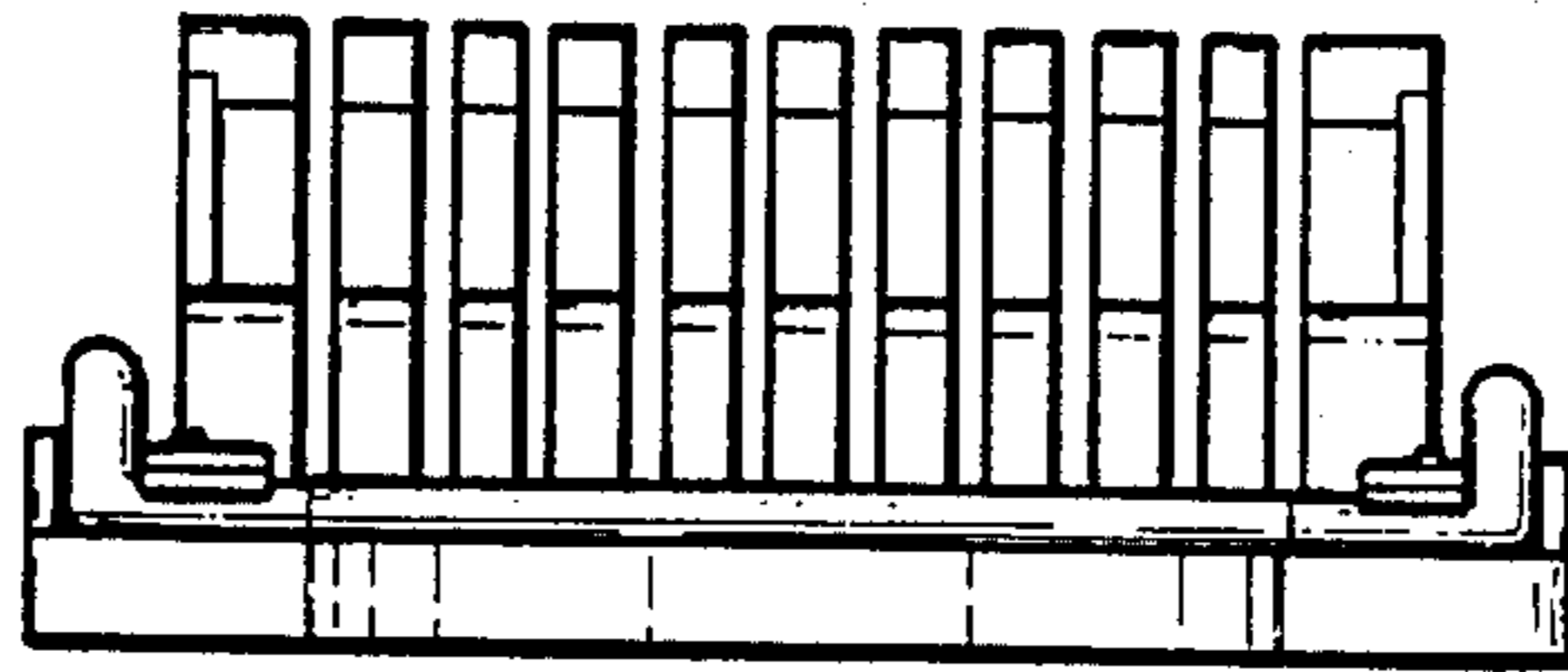


FIG. 5.

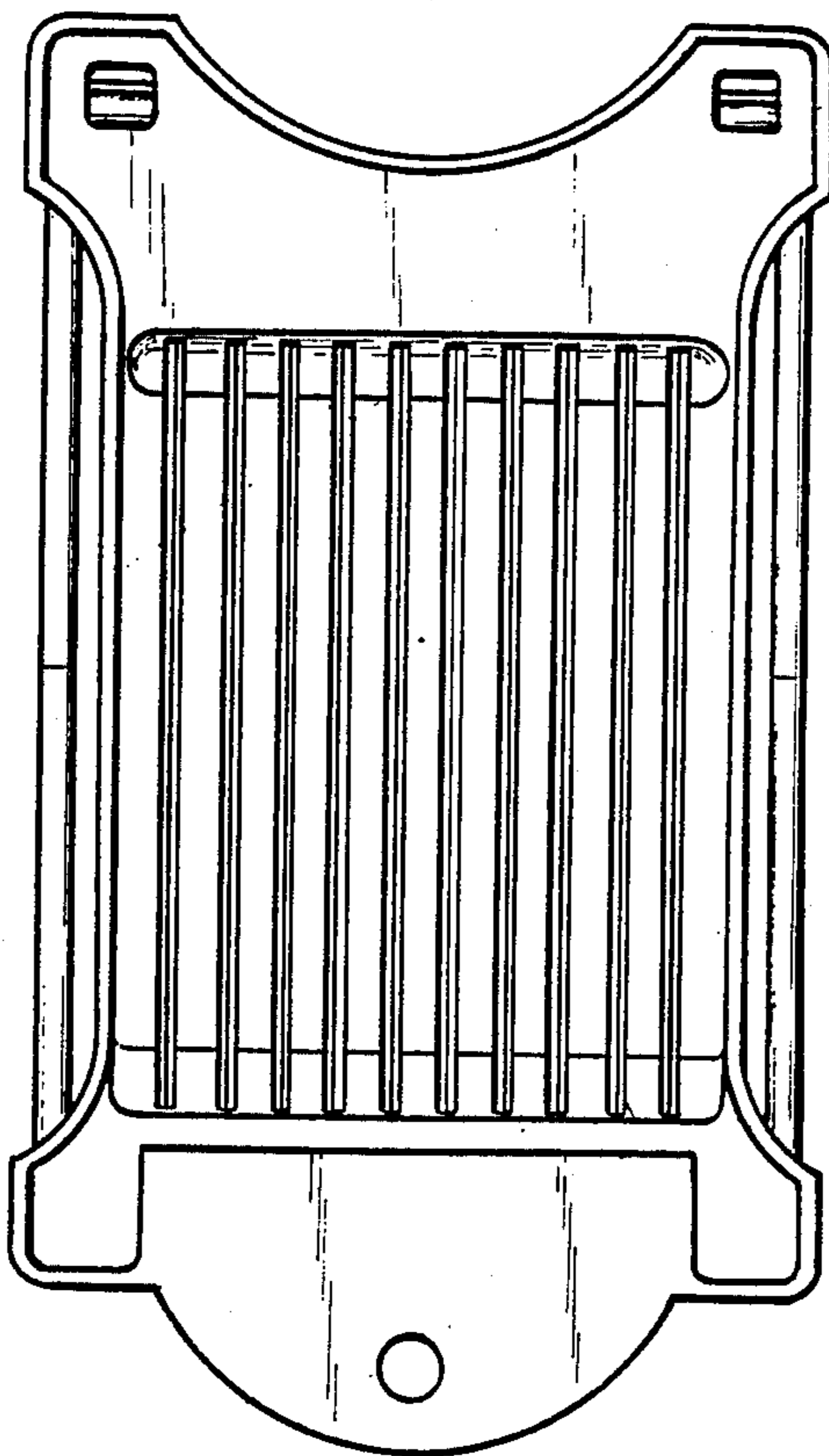


FIG. 6

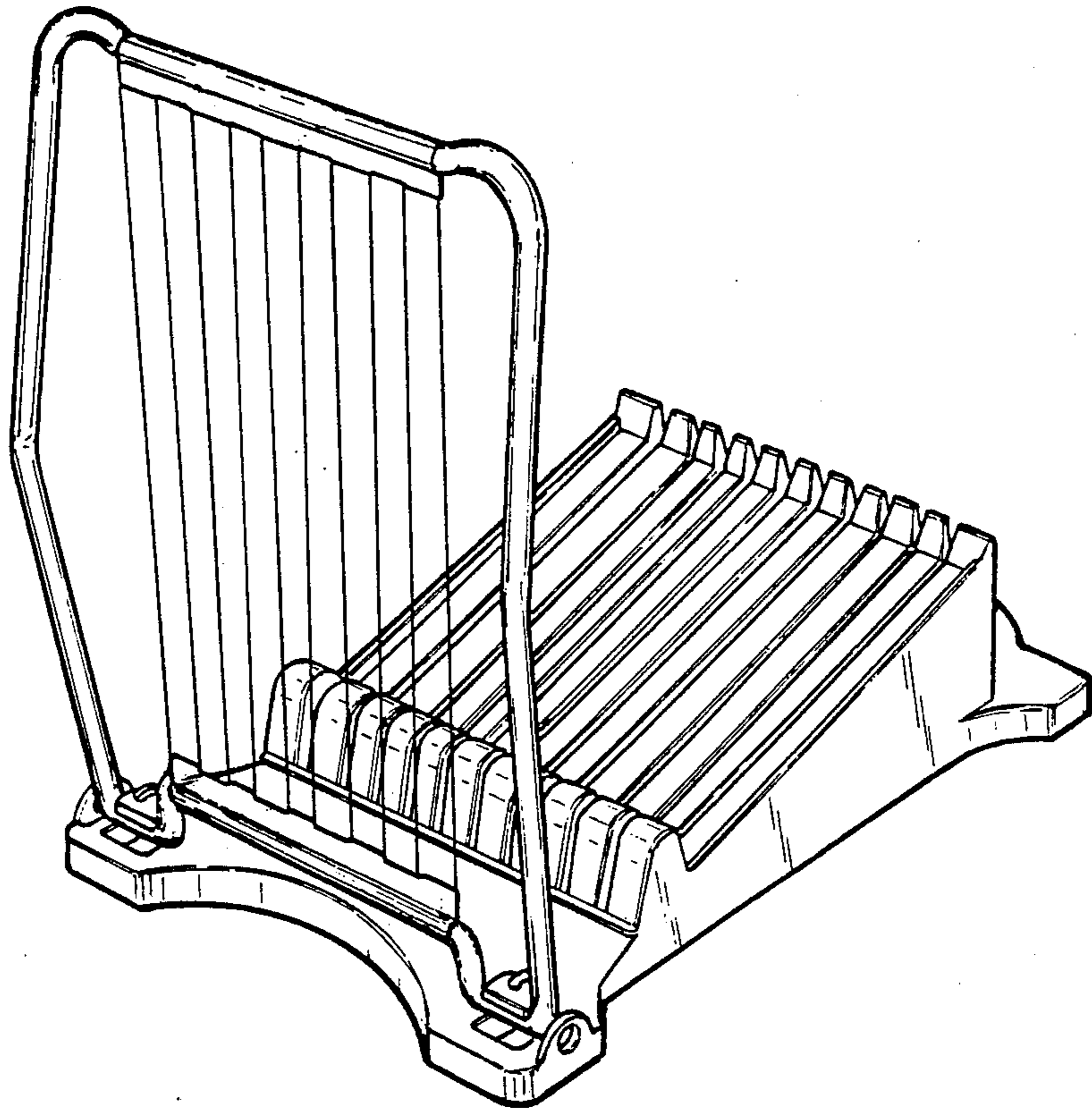


FIG.7.



UNITED STATES PATENT AND TRADEMARK OFFICE  
**CERTIFICATE OF CORRECTION**

PATENT NO. : Des. 297,798  
DATED : Sept. 27, 1988  
INVENTOR(S) : WIRE-STYLE SLICER

It is certified that error appears in the above-identified patent and that said Letters Patent is hereby corrected as shown below:

Title page, item no. 76, "Inventor":

Please change "95 Wai Yip St., 1st Floor, Wing Ying  
Industrial Bldg., Kwun Tong, Kowloon, Hong Kong"  
to --3/F., Unit 3-4, Yuen Fat Industrial Bldg., 25 Wan  
Chiu Road, Kowloon Bay, Kowloon, Hong Kong--.

Signed and Sealed this  
Twenty-eighth Day of April, 1992

*Attest:*

*Attesting Officer*

HARRY F. MANBECK, JR.

*Commissioner of Patents and Trademarks*