

[54] COMBINED TACO AND DINNER PLATE

[76] Inventor: Phillip Roberts, 4217 N. Cypress, Kansas City, Mo. 64117

[\*\*] Term: 14 Years

[21] Appl. No.: 751,556

[22] Filed: Jul. 3, 1985

[52] U.S. Cl. .... D7/21; D7/38

[58] Field of Search ..... D7/21, 1, 38, 19; D9/347

[56] References Cited

U.S. PATENT DOCUMENTS

D. 20,487	1/1891	McBride	.....	D7/1
D. 81,130	5/1930	Fisher	.....	D7/21
D. 147,673	10/1947	Lester et al.	.....	D7/21
D. 276,201	11/1984	Wolff	.....	D7/38
2,652,702	9/1953	Hintze	.....	D7/38 X

OTHER PUBLICATIONS

*Restaurant Equipment Dealer*, Jun. 1967, p. 2, Arrow-head Compartment Trays, top right #ARR 141.

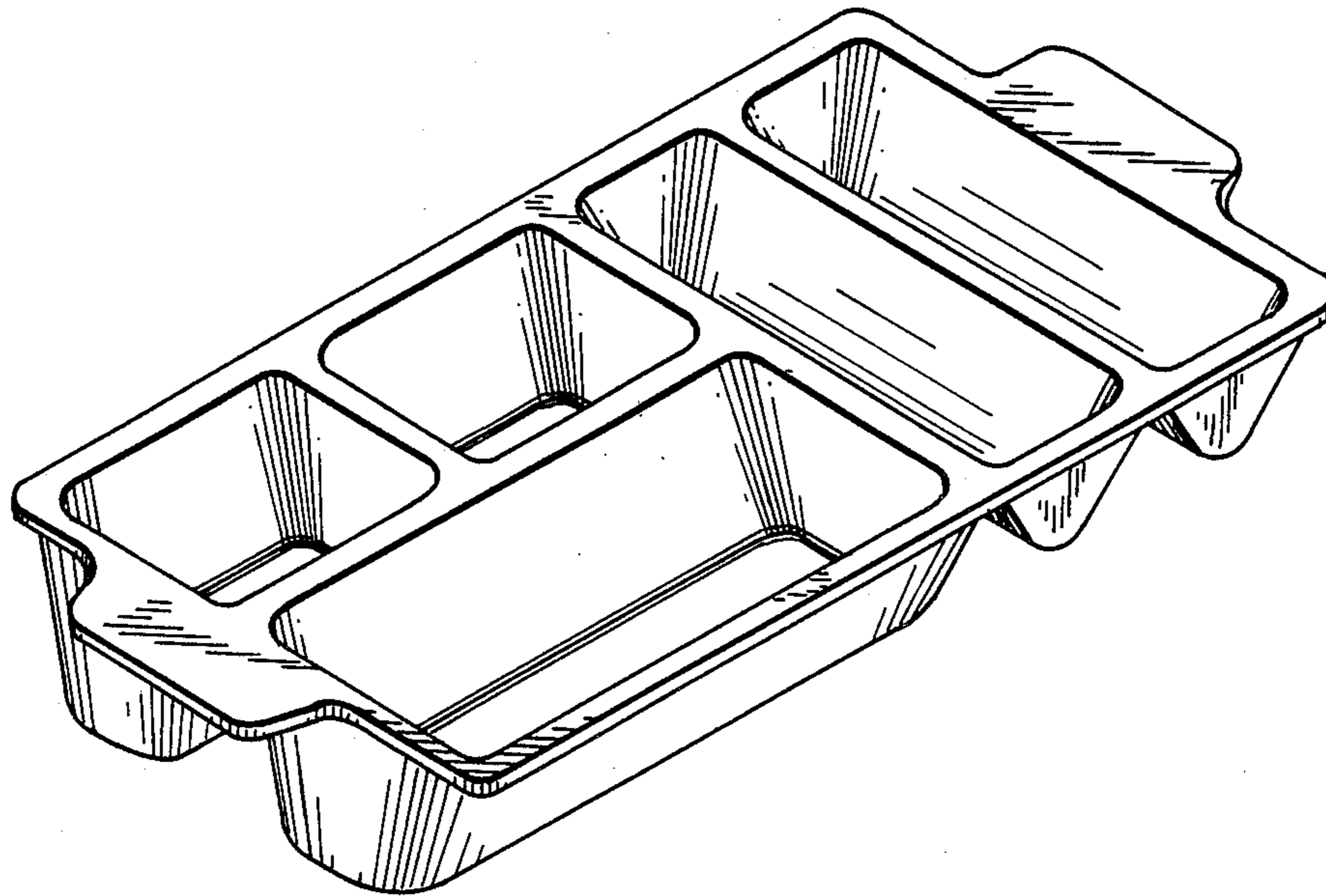
*Primary Examiner*—Winifred E. Herrmann  
*Attorney, Agent, or Firm*—Terry M. Gernstein

[57] CLAIM

The ornamental design for a combined taco and dinner plate, as shown and described.

DESCRIPTION

FIG. 1 is a perspective view of a combined taco and dinner plate showing my new design; FIG. 2 is a right side elevation view thereof; FIG. 3 is a left side elevation view thereof; FIG. 4 is a left end elevation view thereof; FIG. 5 is a right end elevation view thereof; and FIG. 6 is a bottom plan view thereof.



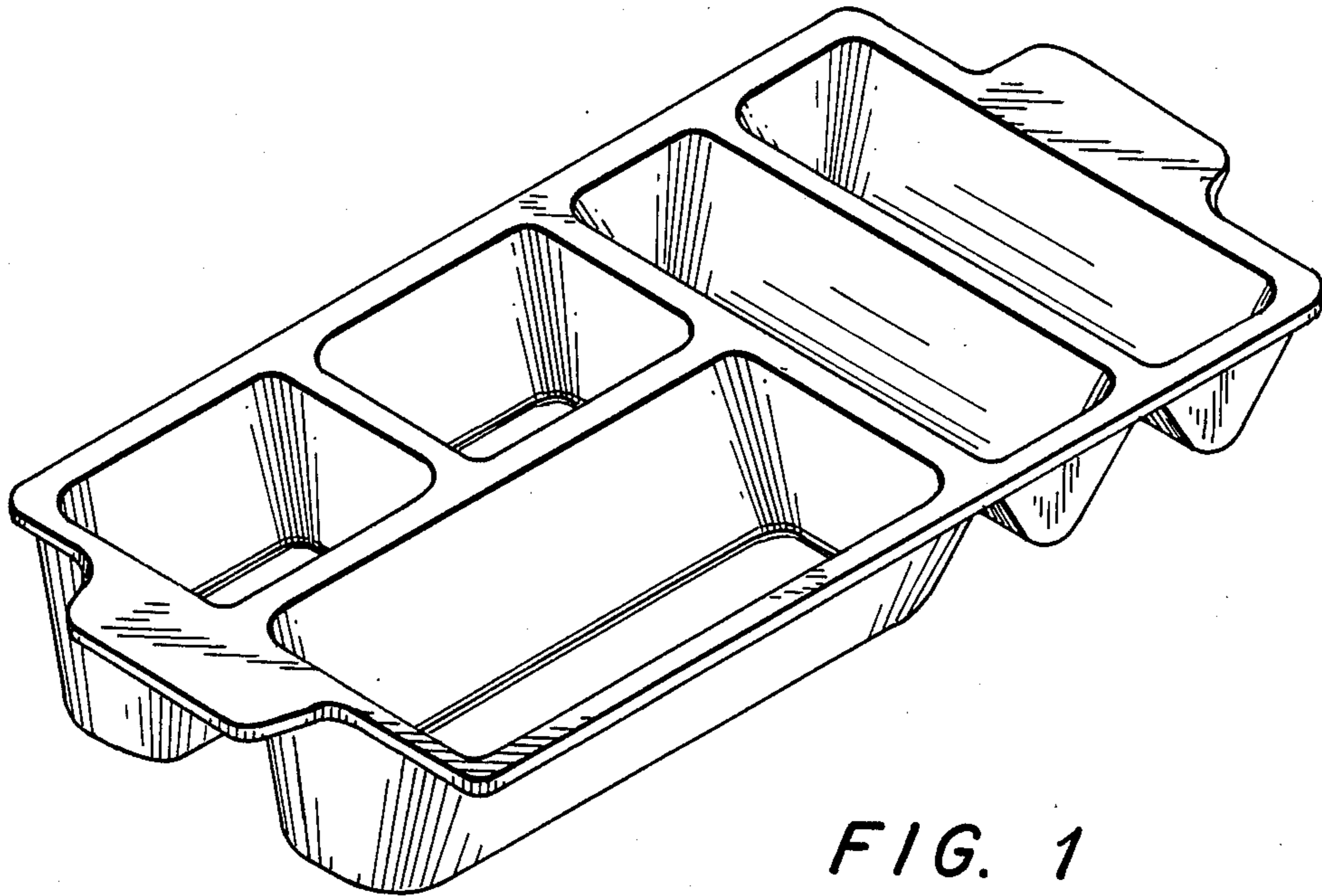


FIG. 1

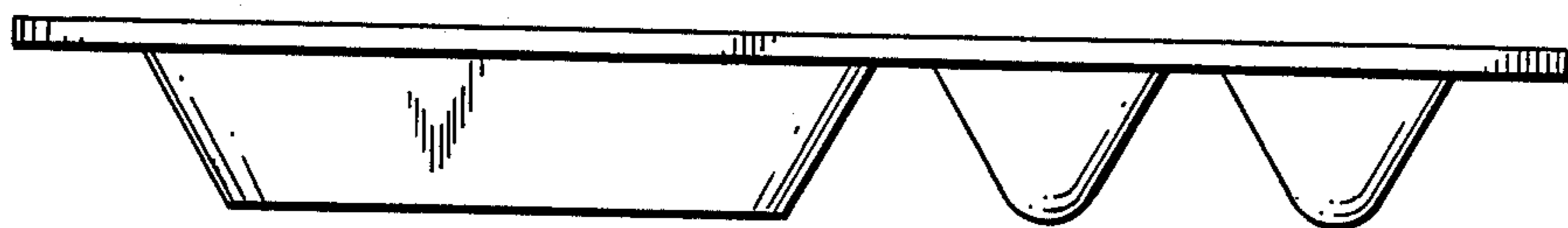


FIG. 2

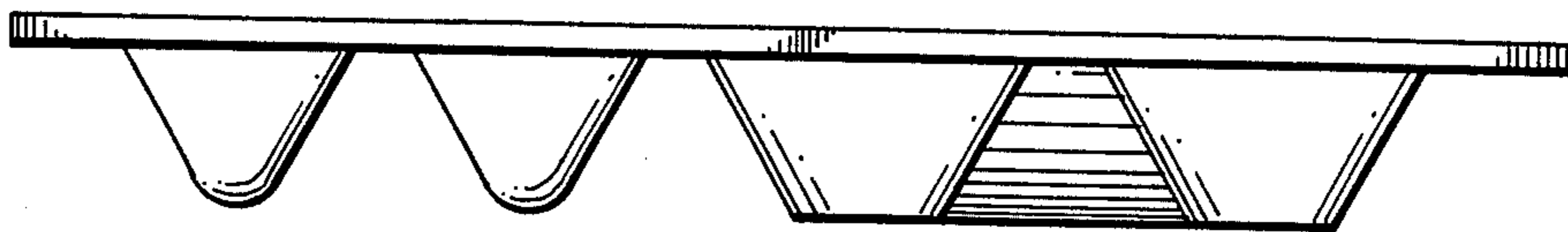


FIG. 3

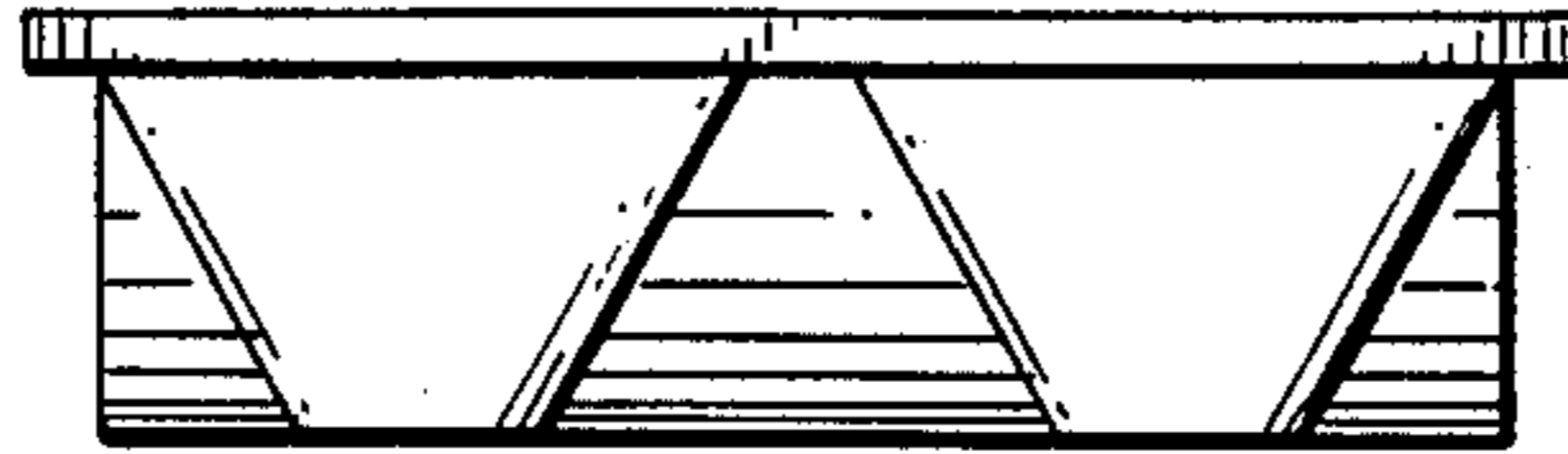


FIG. 4

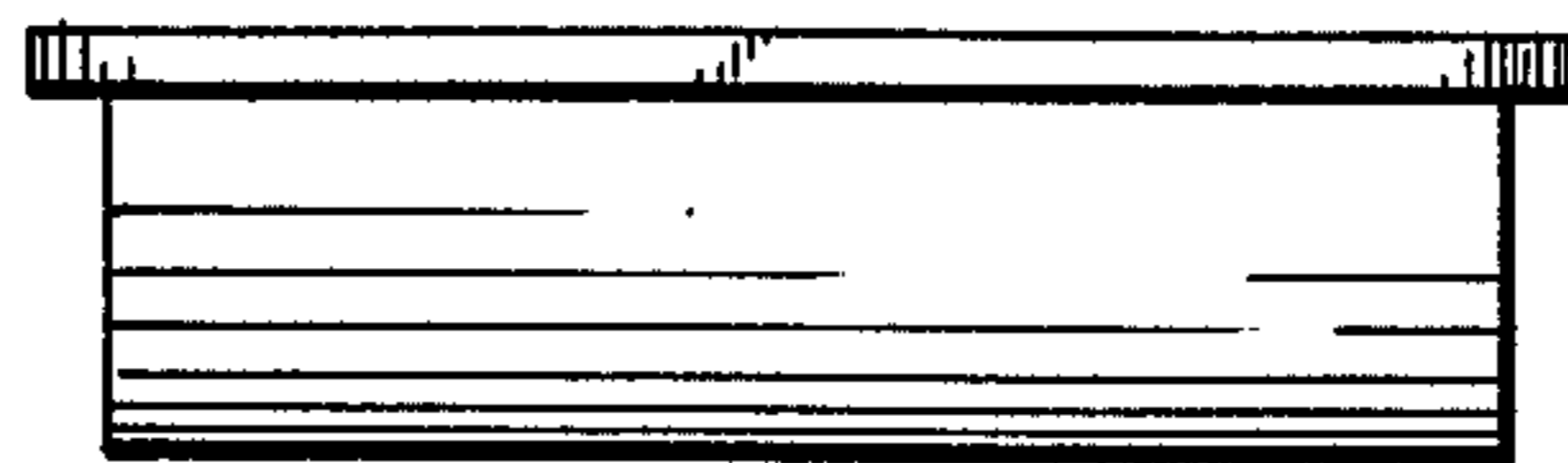


FIG. 5

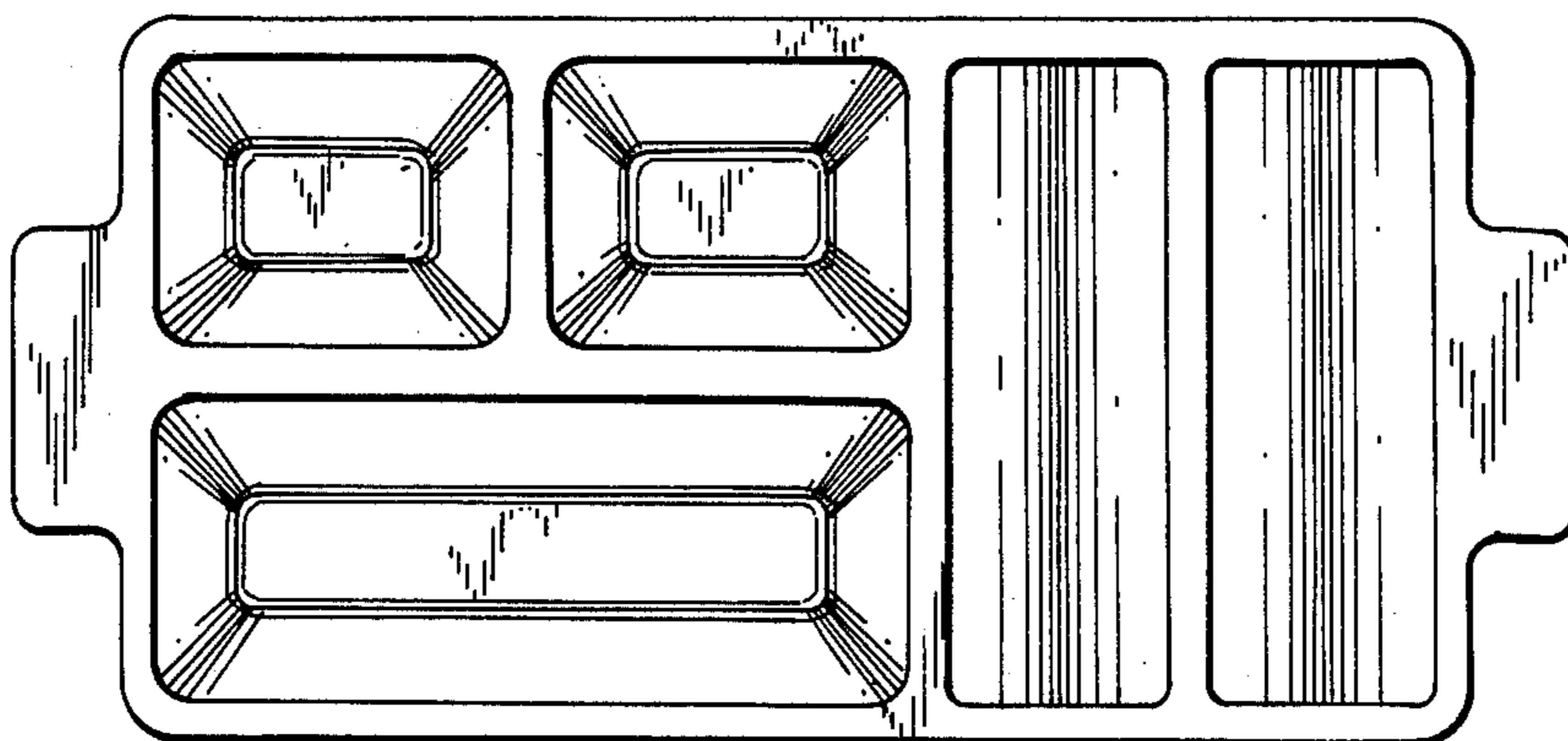


FIG. 6