

[54] FOLDABLE SHOPPING BAG DISPENSER

[75] Inventor: Robert Bateman, Morristown, Tenn.

[73] Assignee: Lin Pac Corrugated, Inc., Atlanta, Ga.

[**] Term: 14 Years

[21] Appl. No.: 820,312

[22] Filed: Jan. 21, 1986

[52] U.S. Cl. D6/566

[58] Field of Search D6/515, 518, 553, 566-567, D6/572; 211/181-182, 13, 71, 106; 248/95, 97, 99-100, 127, 146, 153, 175; 312/211

[56] References Cited

U.S. PATENT DOCUMENTS

D. 222,367	10/1971	Goss	D6/566
D. 264,650	6/1982	Adamson	D6/85
D. 264,651	6/1982	Adamson	D6/85
D. 264,653	6/1982	Adamson	D6/114
D. 264,905	6/1982	Adamson	D6/114
D. 273,159	3/1984	Adamson et al.	D6/85

D. 280,871	10/1985	Provan	D6/462
4,199,122	4/1980	Christie	248/97
4,305,558	12/1981	Baker	248/100
4,316,353	2/1982	Suominen	248/100 X
4,332,361	6/1982	McClellan	248/95
4,363,405	12/1982	Christie	248/100 X
4,498,652	2/1985	Malik	248/99

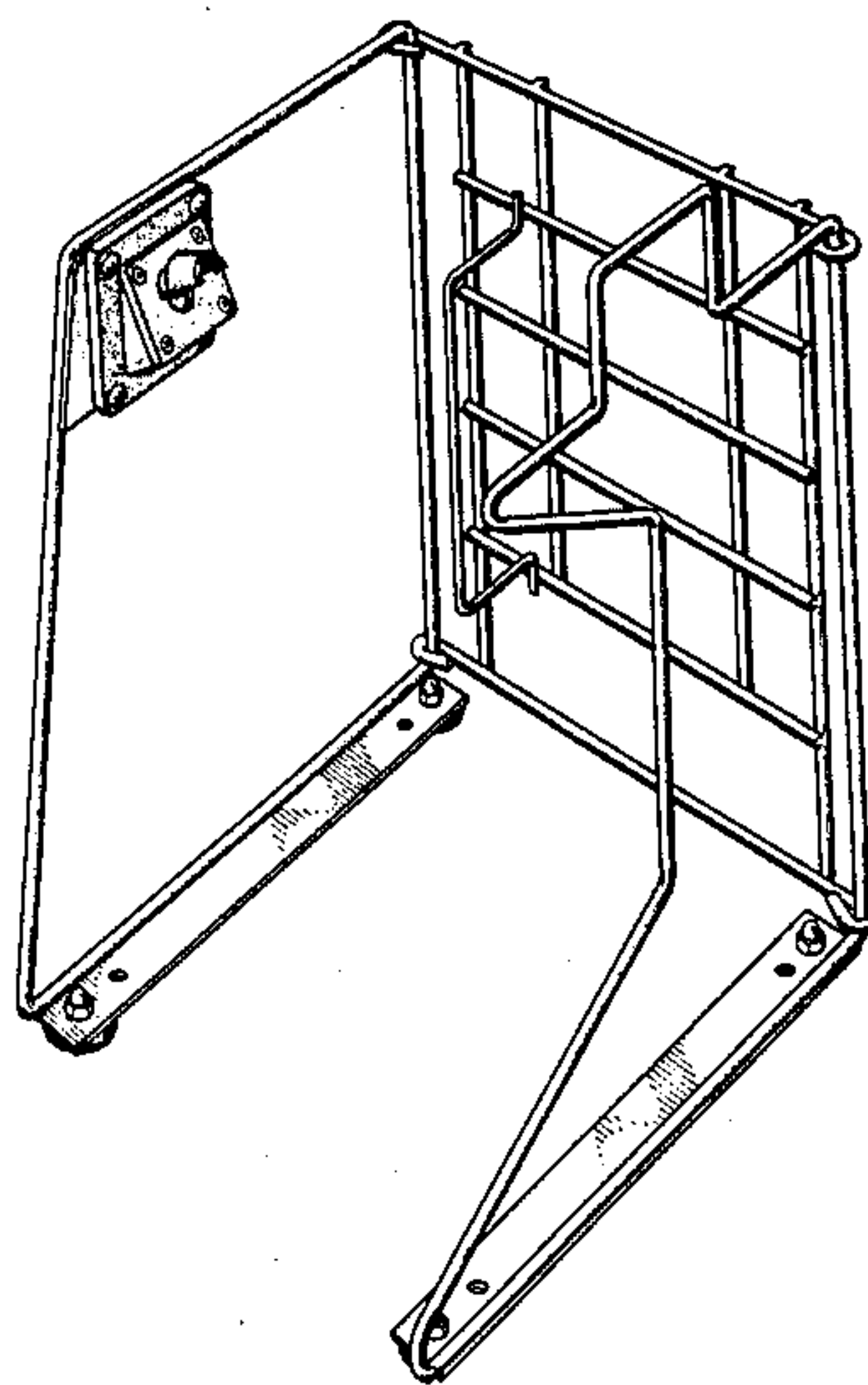
Primary Examiner—Wallace R. Burke
Assistant Examiner—Brian N. Vinson
Attorney, Agent, or Firm—Kilpatrick & Cody

[57] CLAIM

The ornamental design for a foldable shopping bag dispenser, as shown and described.

DESCRIPTION

FIG. 1 is a perspective view of a foldable shopping bag dispenser showing my new design;
FIG. 2 is a front elevational view thereof;
FIG. 3 is a rear elevational view thereof;
FIG. 4 is a top plan view thereof;
FIG. 5 is a bottom plan view thereof;
FIG. 6 is a left side elevational view thereof; and
FIG. 7 is a right side elevational view thereof.



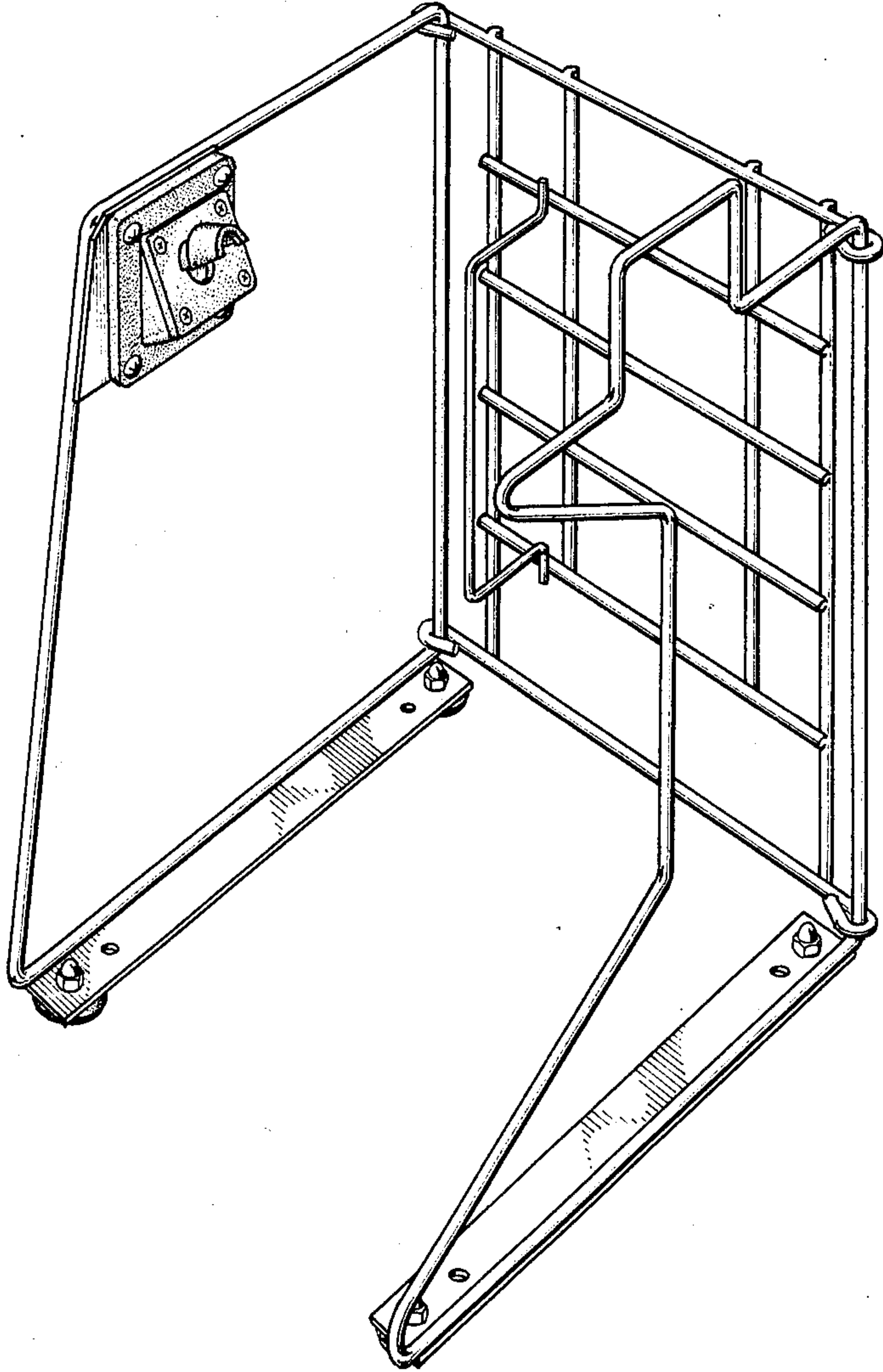


FIG 1

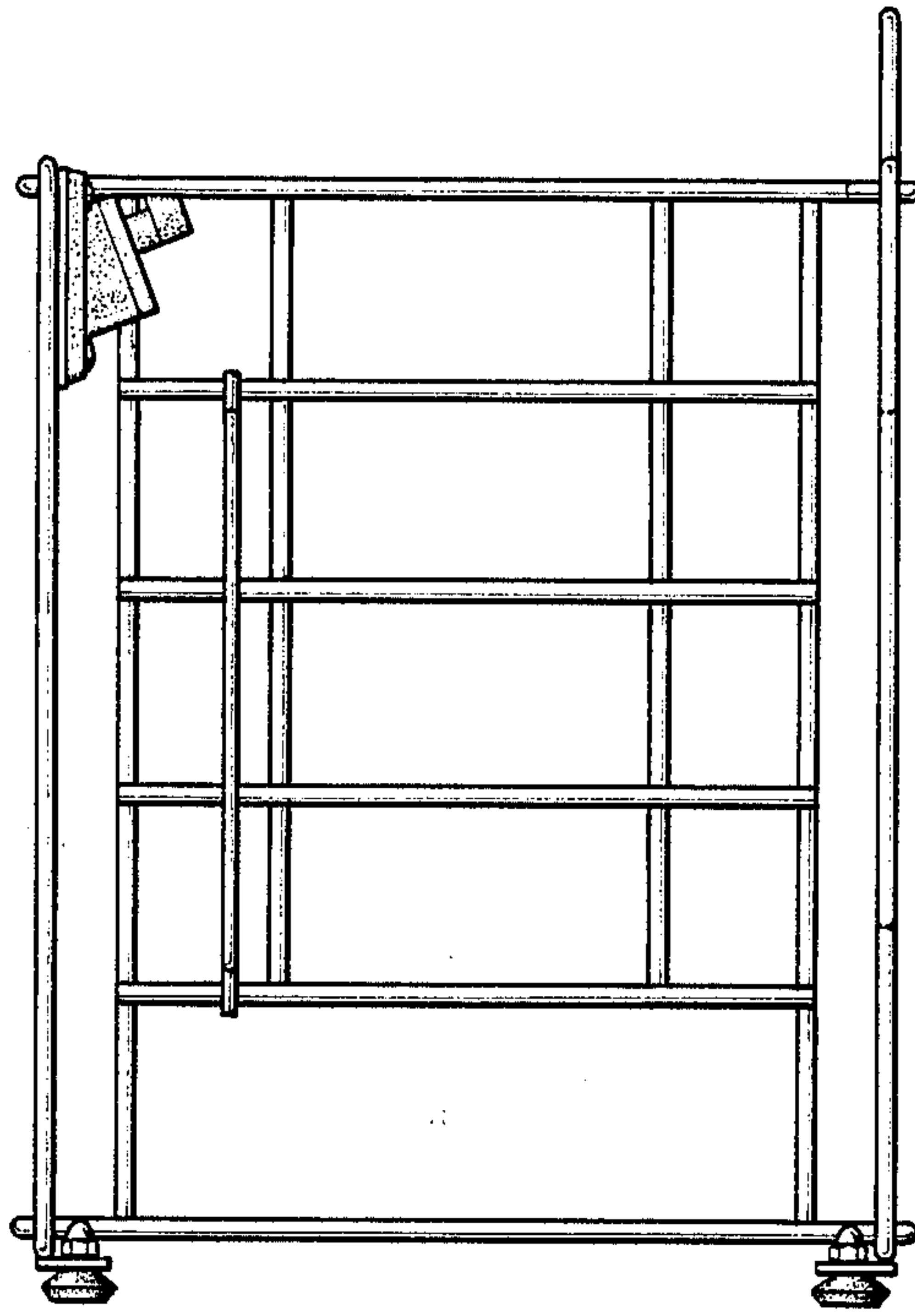


FIG 2

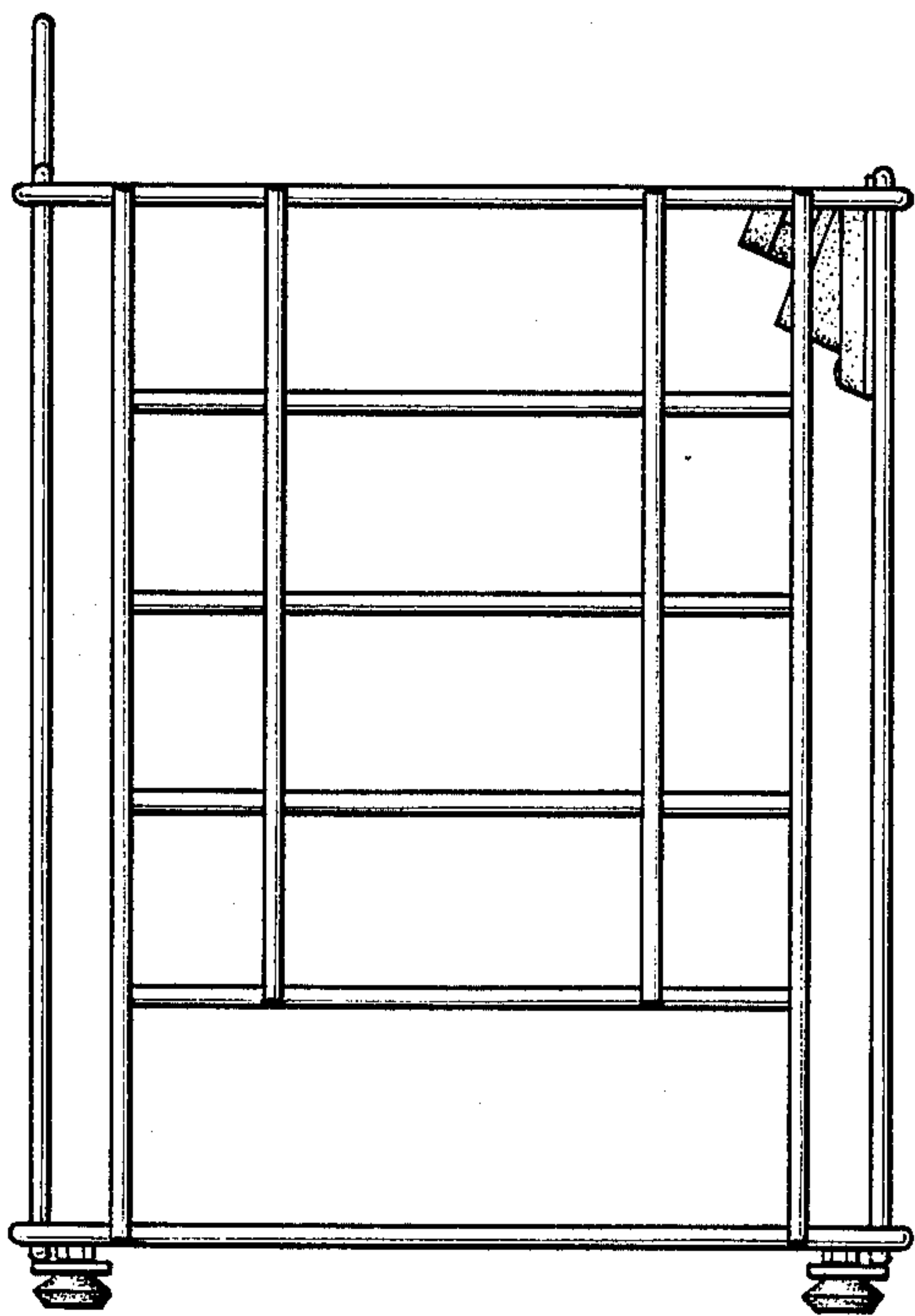


FIG 3

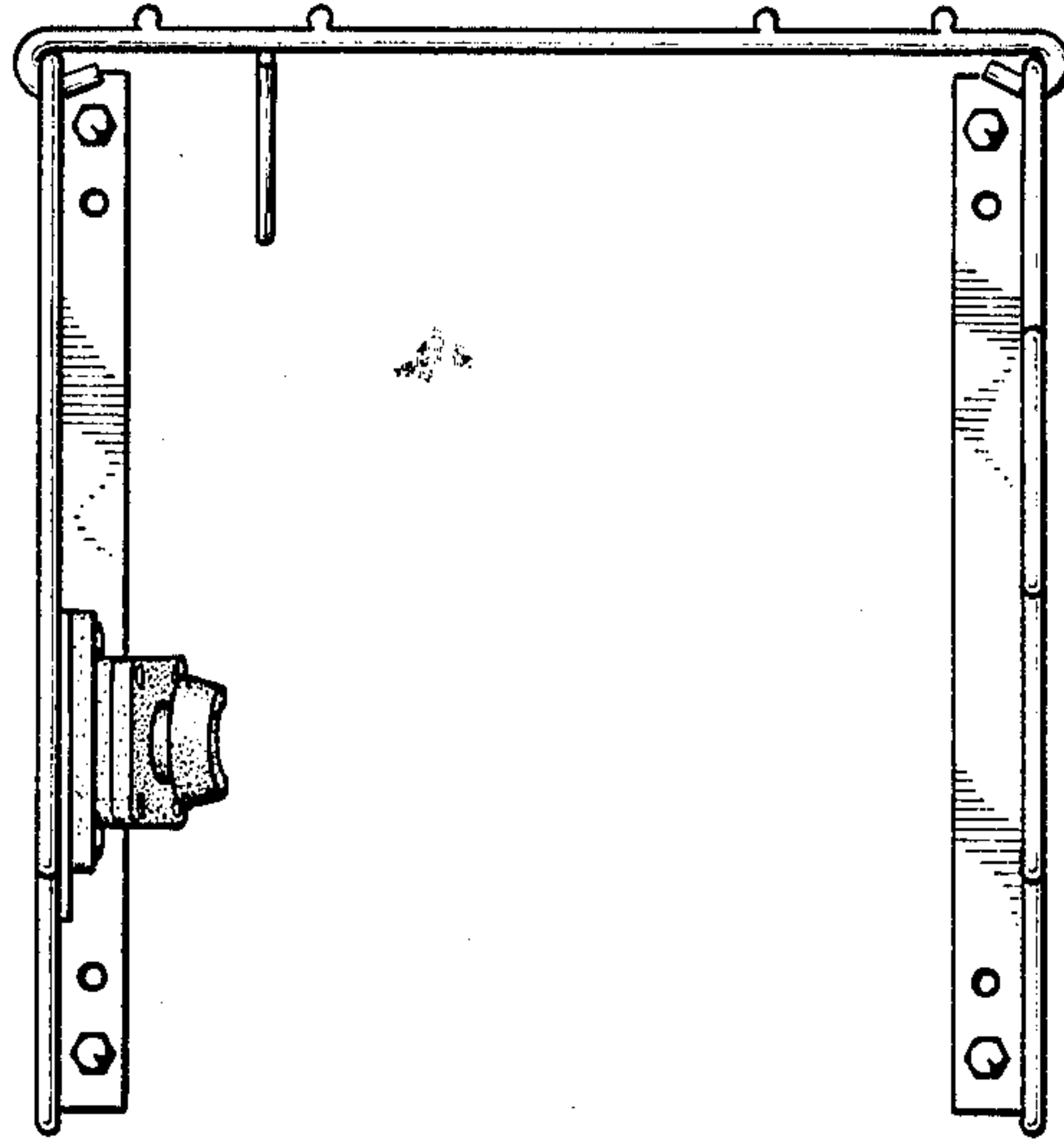


FIG 4

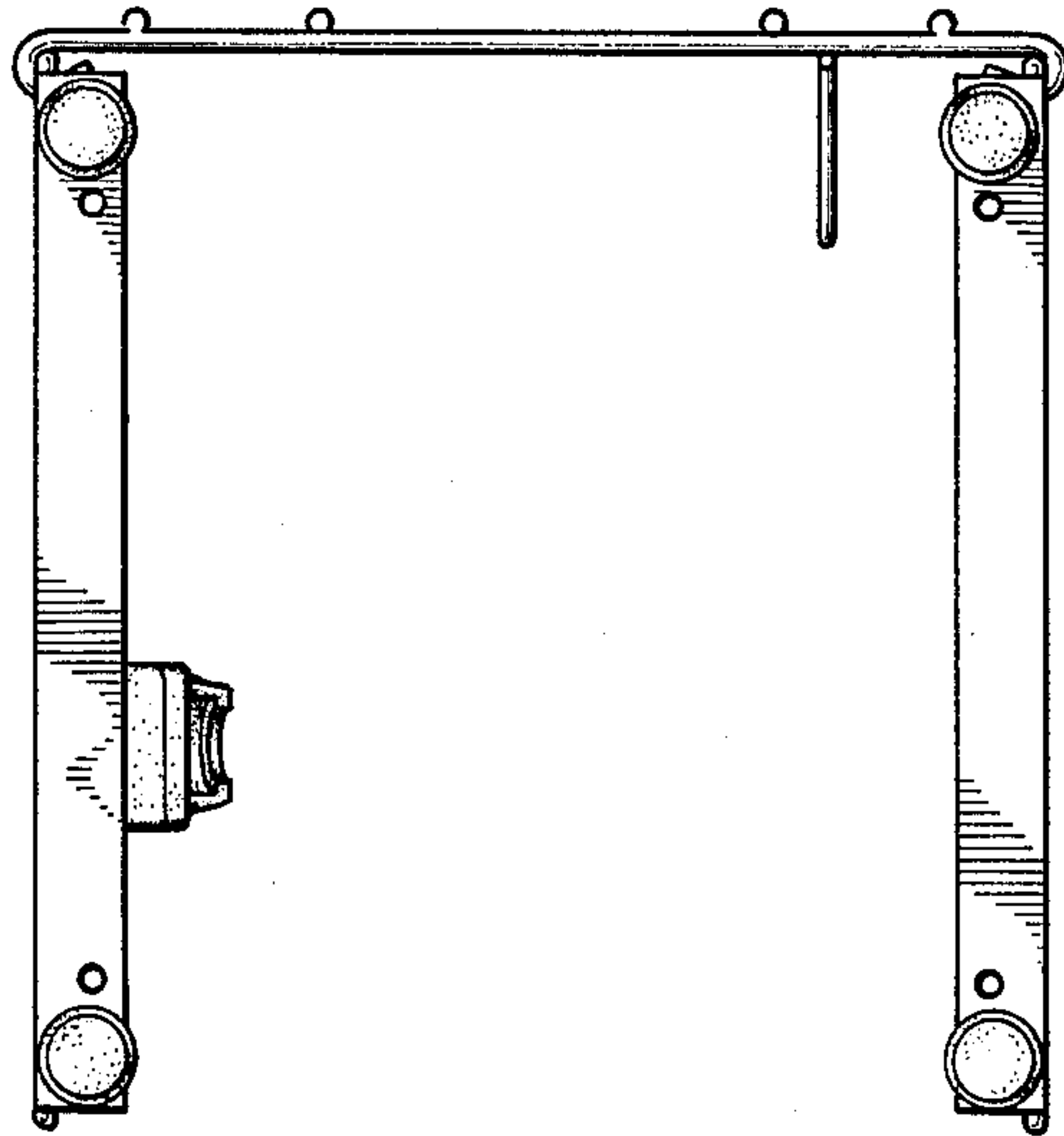


FIG 5

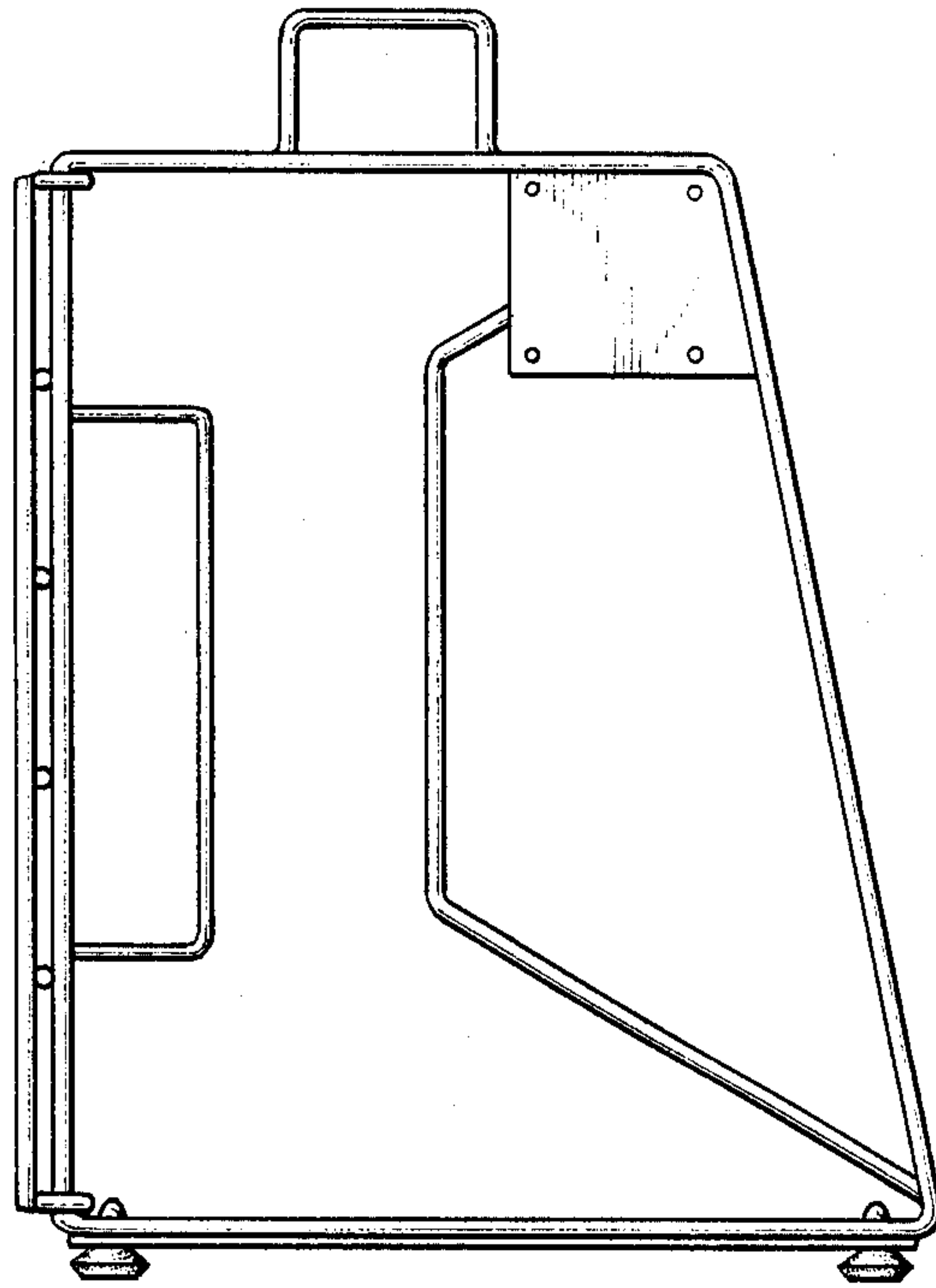


FIG 6

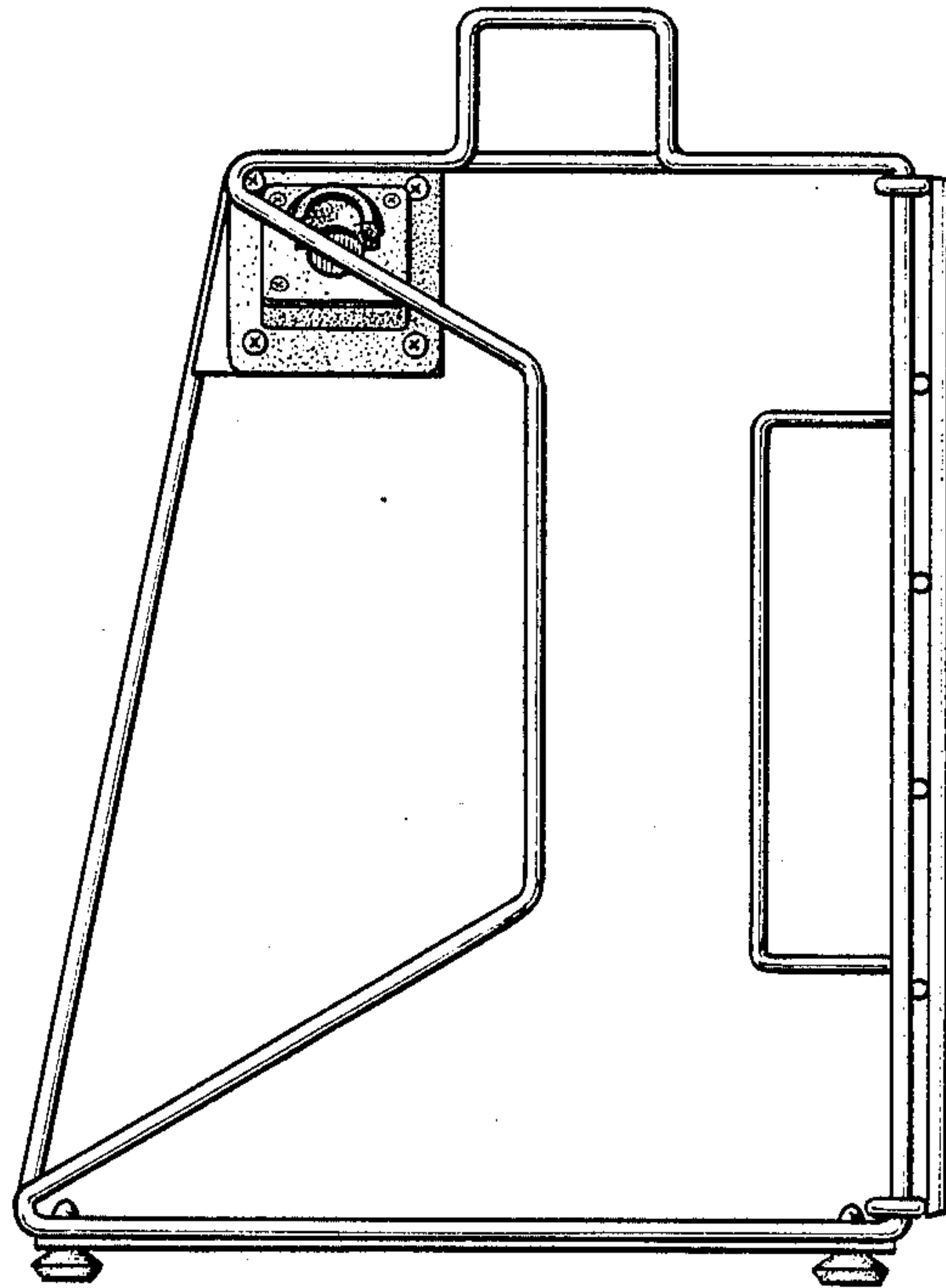


FIG 7