

[54] EXTENDABLE SHOPPING BAG DISPENSER

[75] Inventor: Robert Bateman, Morristown, Tenn.

[73] Assignee: Lin Pac Corrugated, Inc., Atlanta, Ga.

[\*\*] Term: 14 Years

[21] Appl. No.: 820,313

[22] Filed: Jan. 21, 1986

[52] U.S. Cl. .... D6/512

[58] Field of Search ..... D6/515, 518, 553, 566-567, D6/572, 462, 487, 397, 409-410; 211/181-182, 13, 71, 106; 248/95, 97, 99-100, 127, 146, 153, 175; 312/211

[56] References Cited

U.S. PATENT DOCUMENTS

D. 247,626	3/1978	Riches .....	D6/566
D. 264,650	6/1982	Adamson .....	D6/85
D. 264,651	6/1982	Adamson .....	D6/85
D. 264,653	6/1982	Adamson .....	D6/114
D. 264,905	6/1982	Adamson .....	D6/114
D. 273,159	3/1984	Adamson et al. ....	D6/85
3,186,667	6/1965	Meier .....	248/97

4,031,689	6/1977	Sullivan .....	248/97 X
4,175,602	11/1979	Cavalari et al. ....	248/97 X
4,199,122	4/1980	Christie .....	248/97
4,305,558	12/1981	Baker .....	248/100
4,316,353	2/1982	Suominen .....	248/100 X
4,332,361	6/1982	McClellan .....	248/95
4,363,405	12/1982	Christie .....	248/100 X
4,498,652	2/1985	Malik .....	248/99

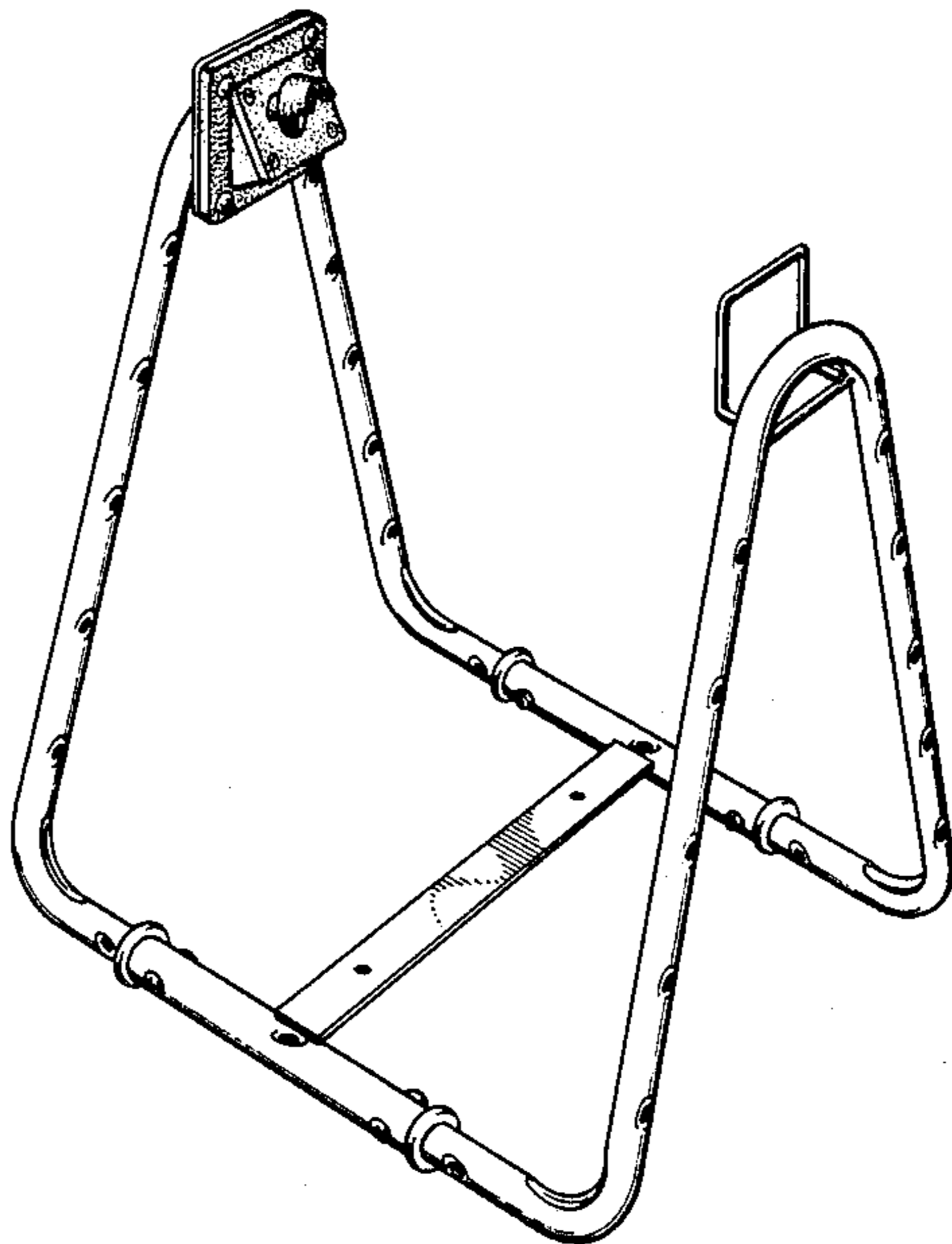
Primary Examiner—Wallace R. Burke  
Assistant Examiner—Brian N. Vinson  
Attorney, Agent, or Firm—Kilpatrick & Cody

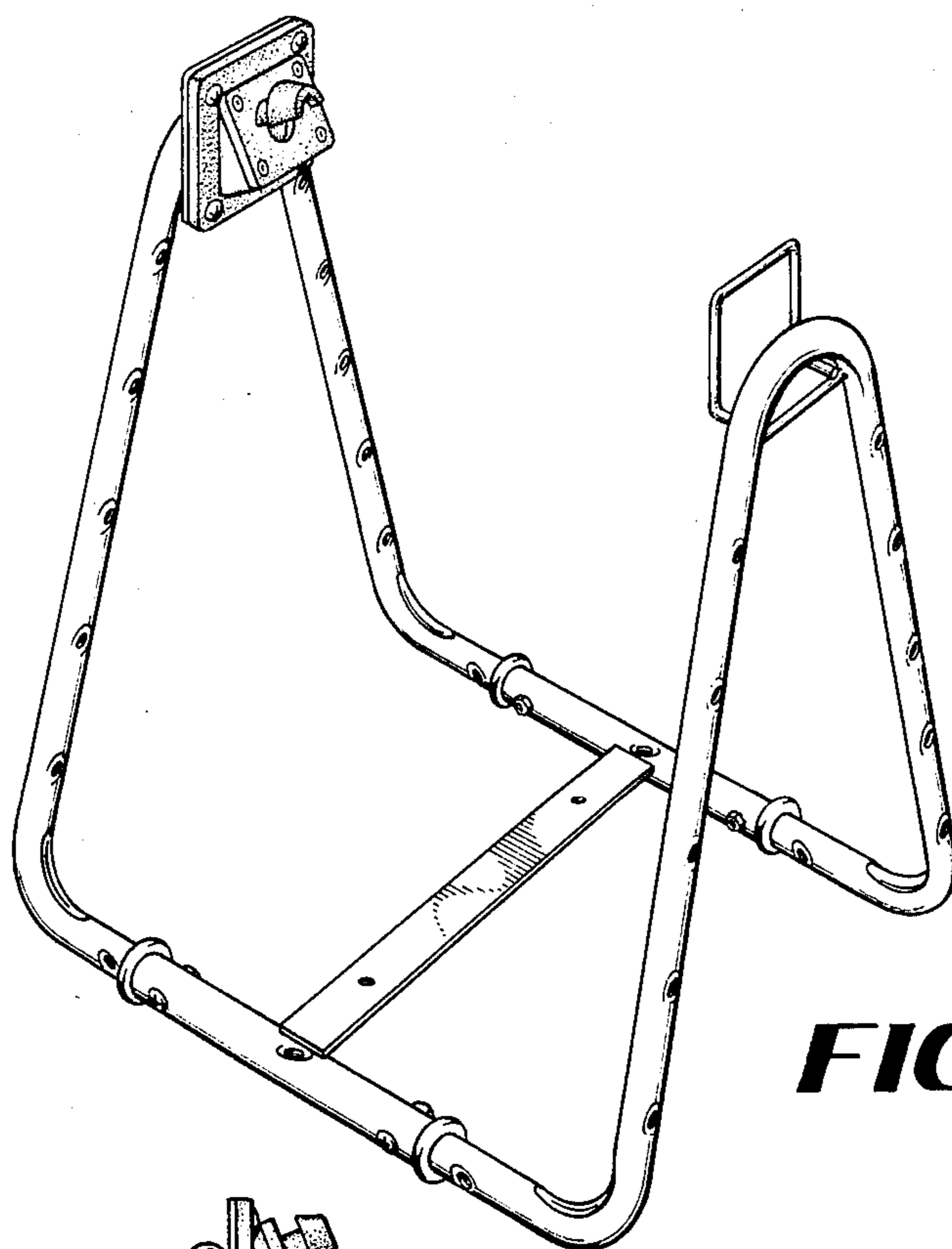
[57] CLAIM

The ornamental design for an extendable shopping bag dispenser, as shown and described.

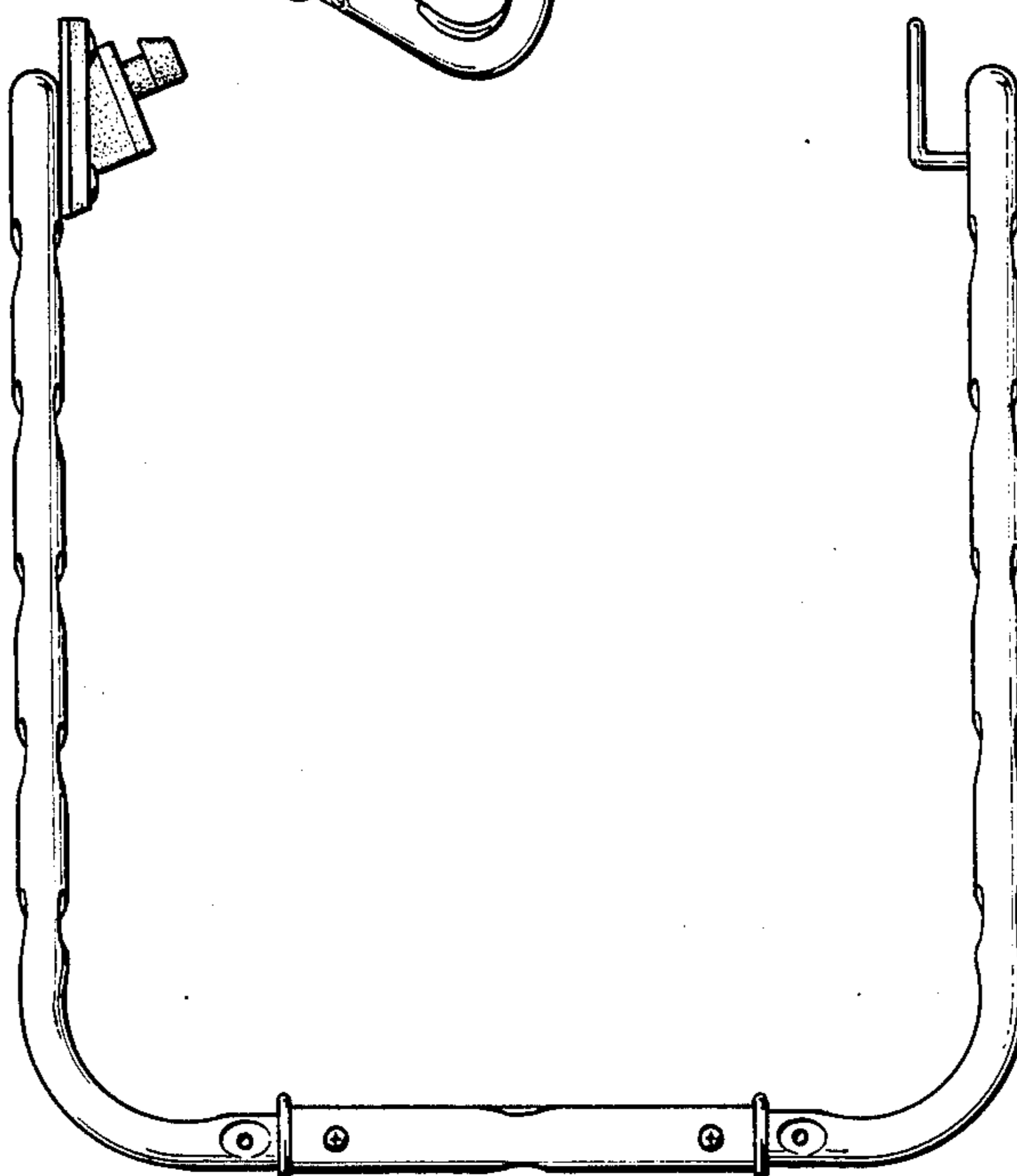
DESCRIPTION

FIG. 1 is a perspective view of an extendable shopping bag dispenser showing my new design;  
FIG. 2 is a front elevational view thereof, the rear being a mirror image;  
FIG. 3 is a top plan view thereof;  
FIG. 4 is a bottom plan view thereof;  
FIG. 5 is a left side elevational view thereof; and  
FIG. 6 is a right side elevational view.

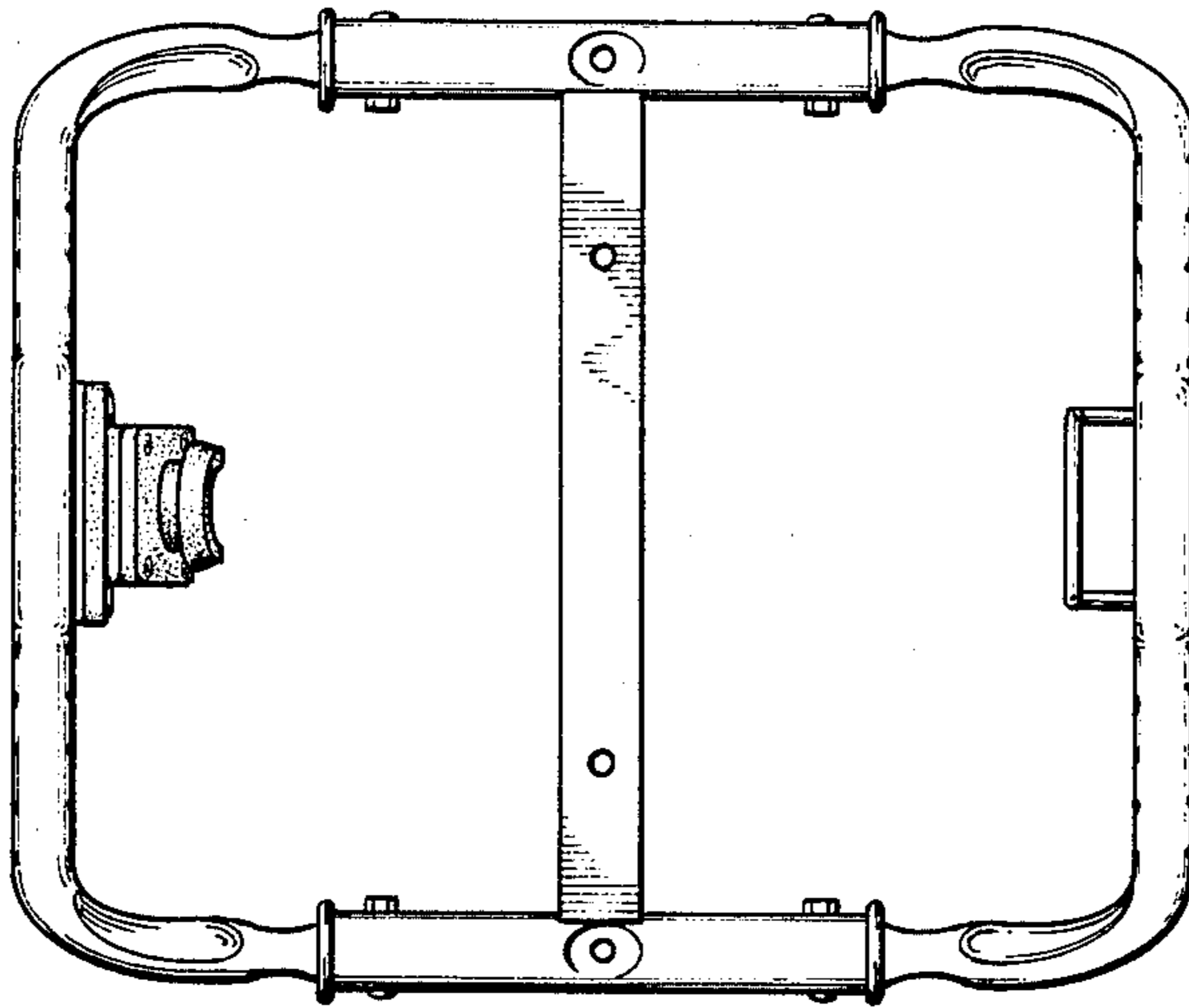




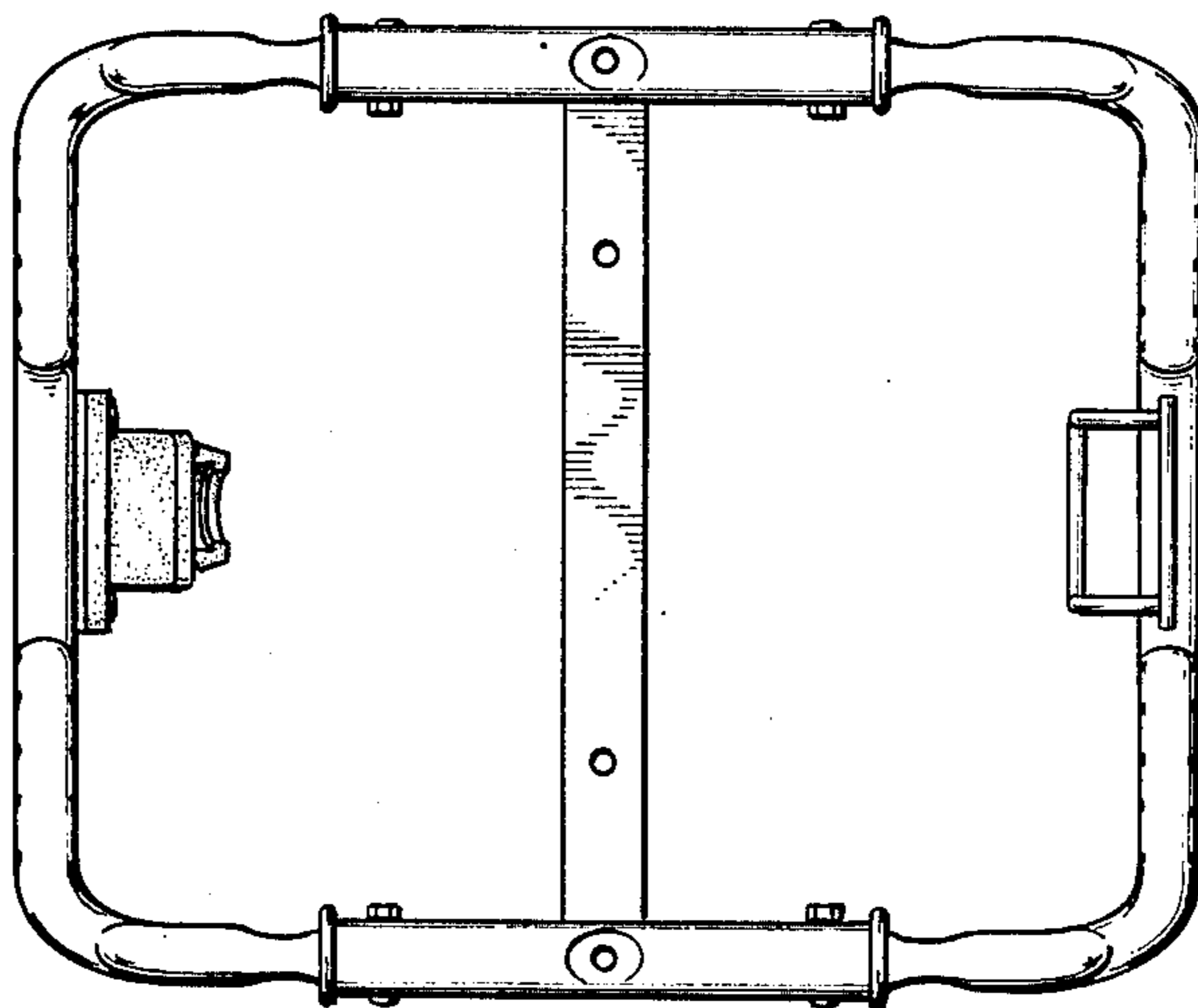
**FIG 1**



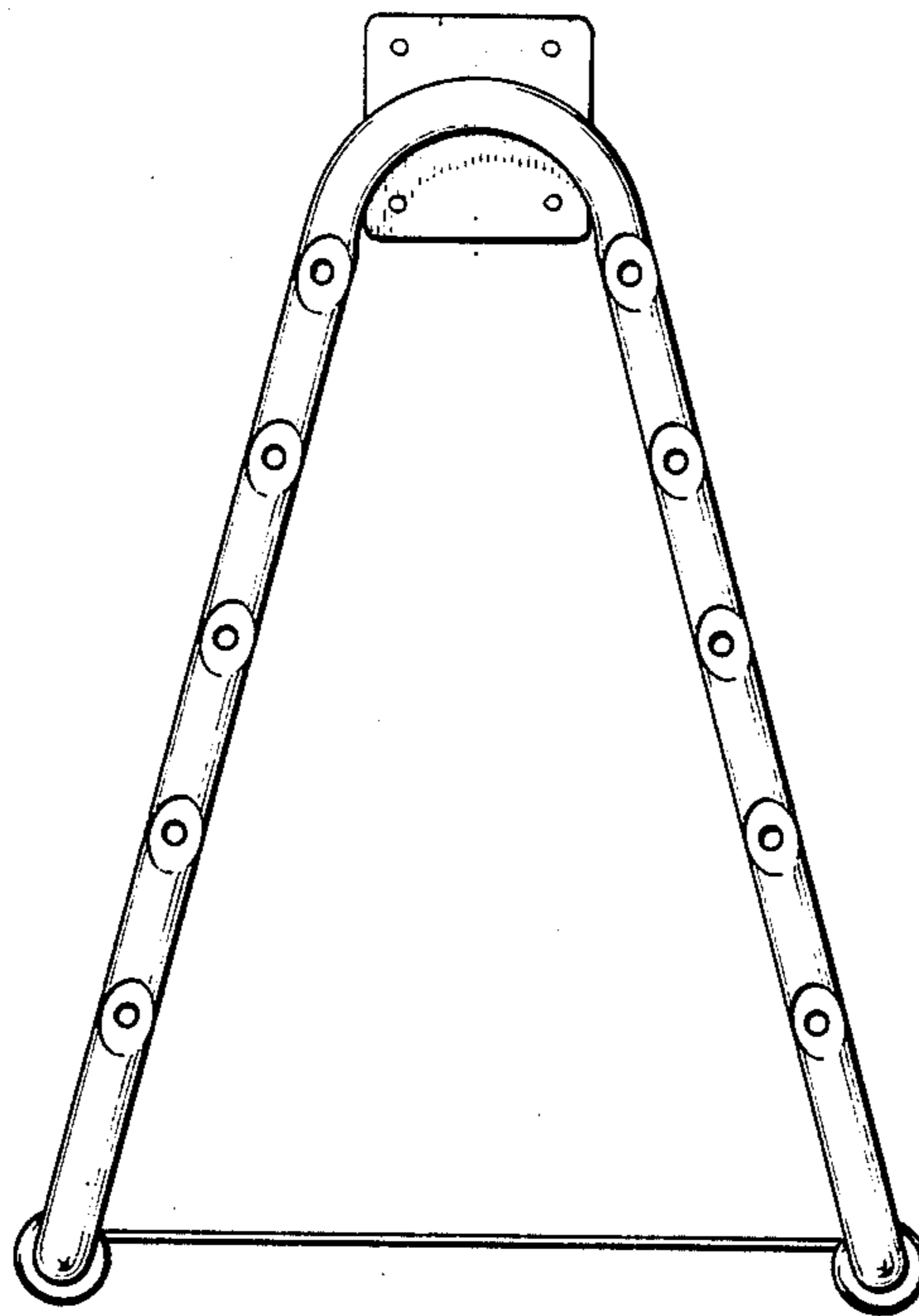
**FIG 2**



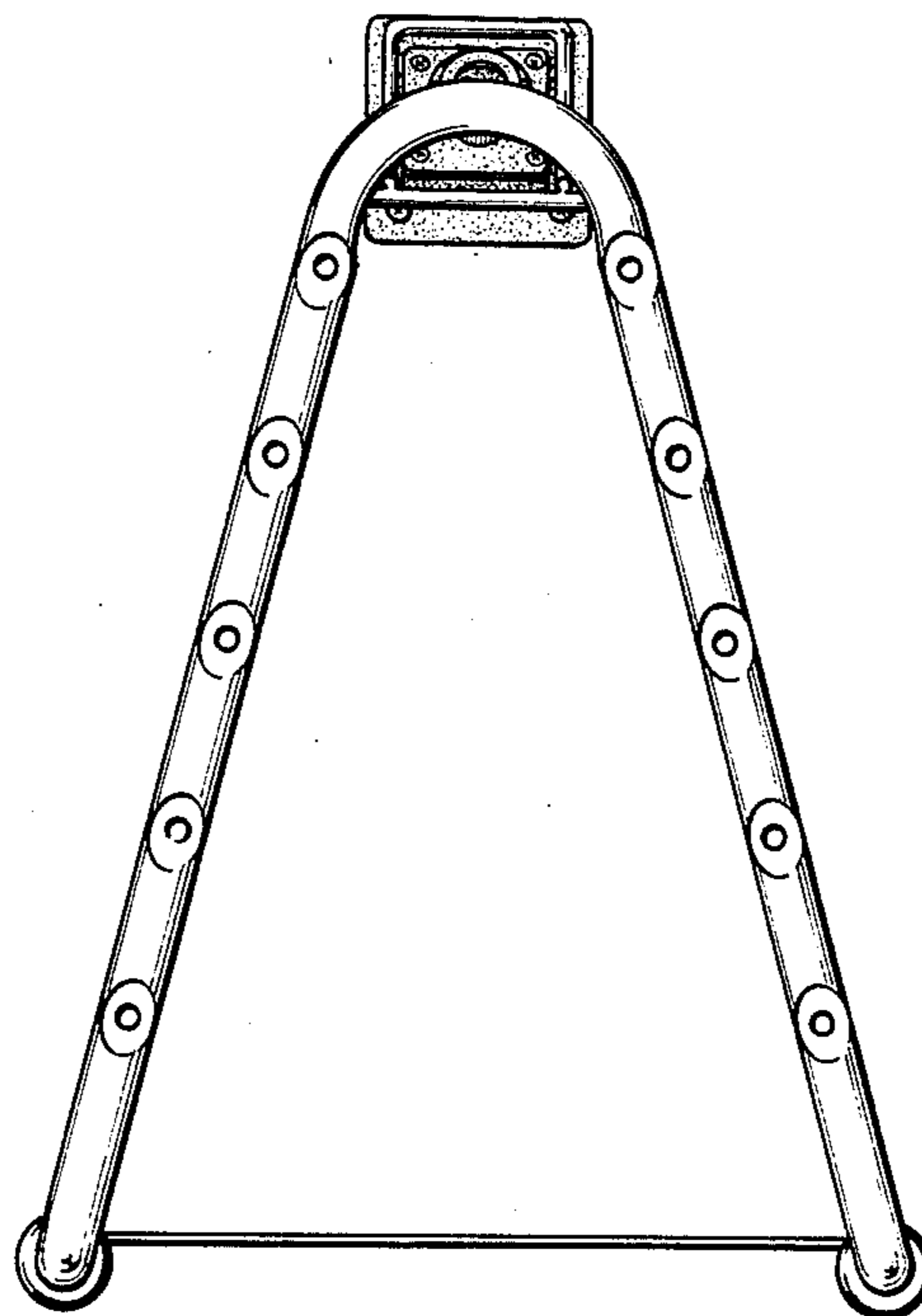
**FIG 3**



**FIG 4**



**FIG 5**



**FIG 6**