

United States Patent [19]

Danna et al.

[11] Patent Number: Des. 297,793

[45] Date of Patent: ** Sep. 27, 1988

[54] CONTAINER HOLDER FOR ATTACHMENT TO A CHAIR ARM

[76] Inventors: John Danna, 8502 Organdy La., Santee, Calif. 92071; Mark Speros, 3611 N. Euclid Ave., San Diego, Calif. 92105

[**] Term: 14 Years

[21] Appl. No.: 754,929

[22] Filed: Jul. 15, 1985

[52] U.S. Cl. D6/510

[58] Field of Search D6/509, 510, 511; D7/70, 71; D9/454; 211/75; 297/188, 194

[56] References Cited

U.S. PATENT DOCUMENTS

D. 214,641 7/1969 Malakoff D7/70
D. 226,172 1/1973 McElvy et al. D9/454

D. 256,201 8/1980 Ventura D6/511
D. 259,379 6/1981 Eisenstat D7/71 X
2,305,965 12/1942 Henkel et al. D7/71 X
3,039,616 6/1962 Proffit D7/70 X
3,304,112 2/1967 Elliott D7/70 X
3,338,628 8/1967 Evans 297/188

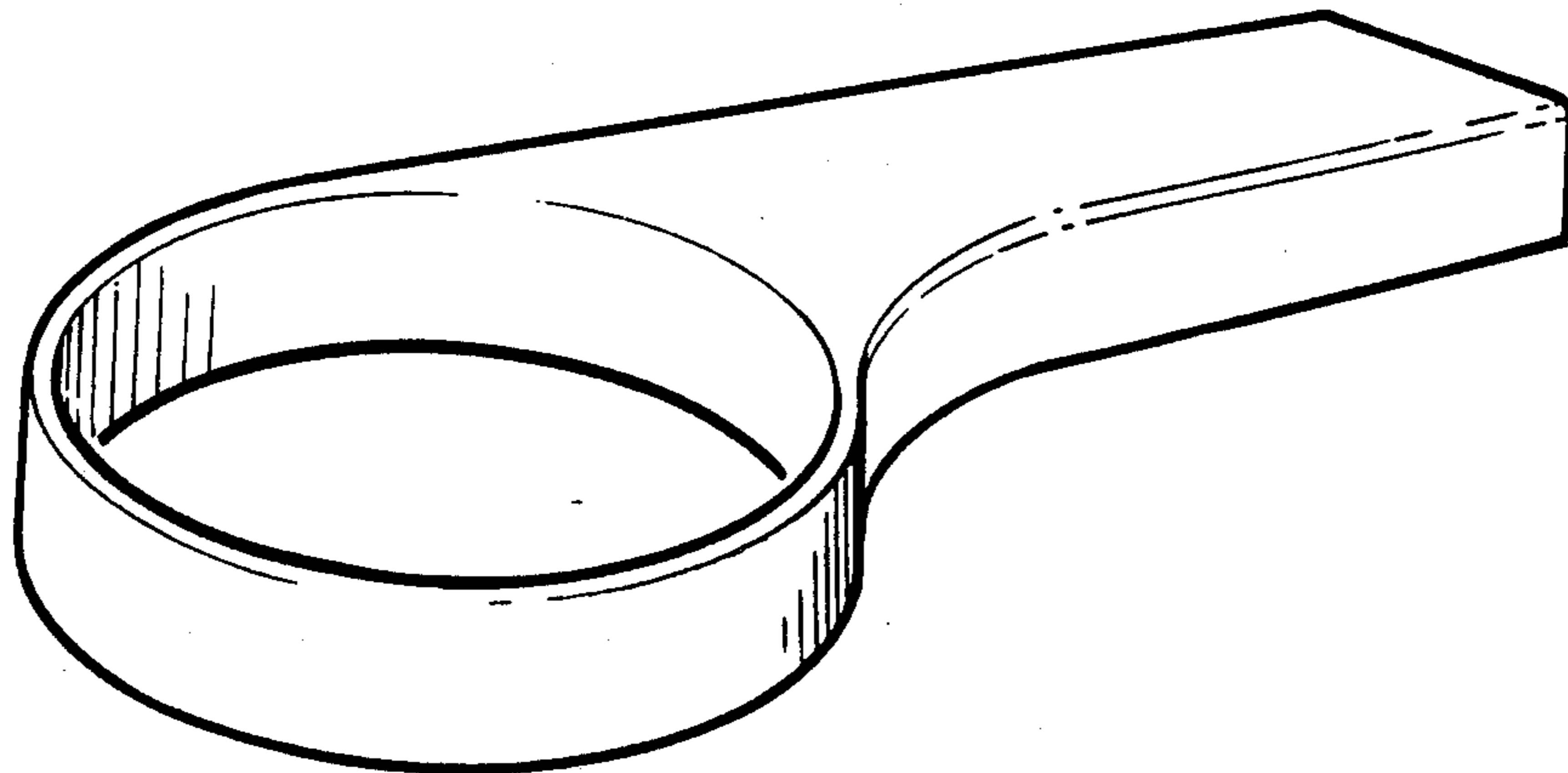
Primary Examiner—Bruce W. Dunkins
Attorney, Agent, or Firm—Charles C. Logan, II

[57] CLAIM

The ornamental design for a container holder for attachment to a chair arm, substantially as shown.

DESCRIPTION

FIG. 1 is a rear elevation view of the container holder for attachment to a chair arm;
FIG. 2 is a top plan view;
FIG. 3 is a right end elevation view;
FIG. 4 is a left end elevation view;
FIG. 5 is a bottom plan view; and
FIG. 6 is a front perspective view thereof.



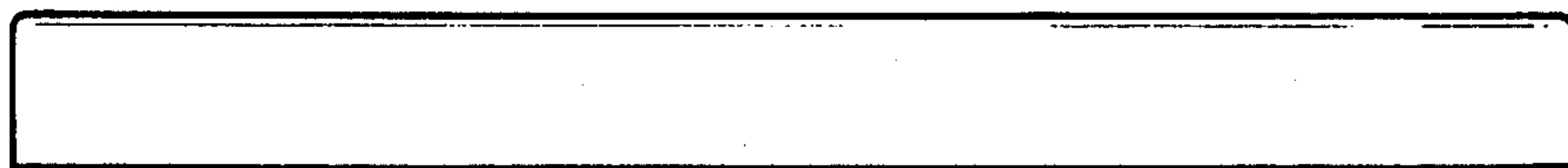


FIG. 1

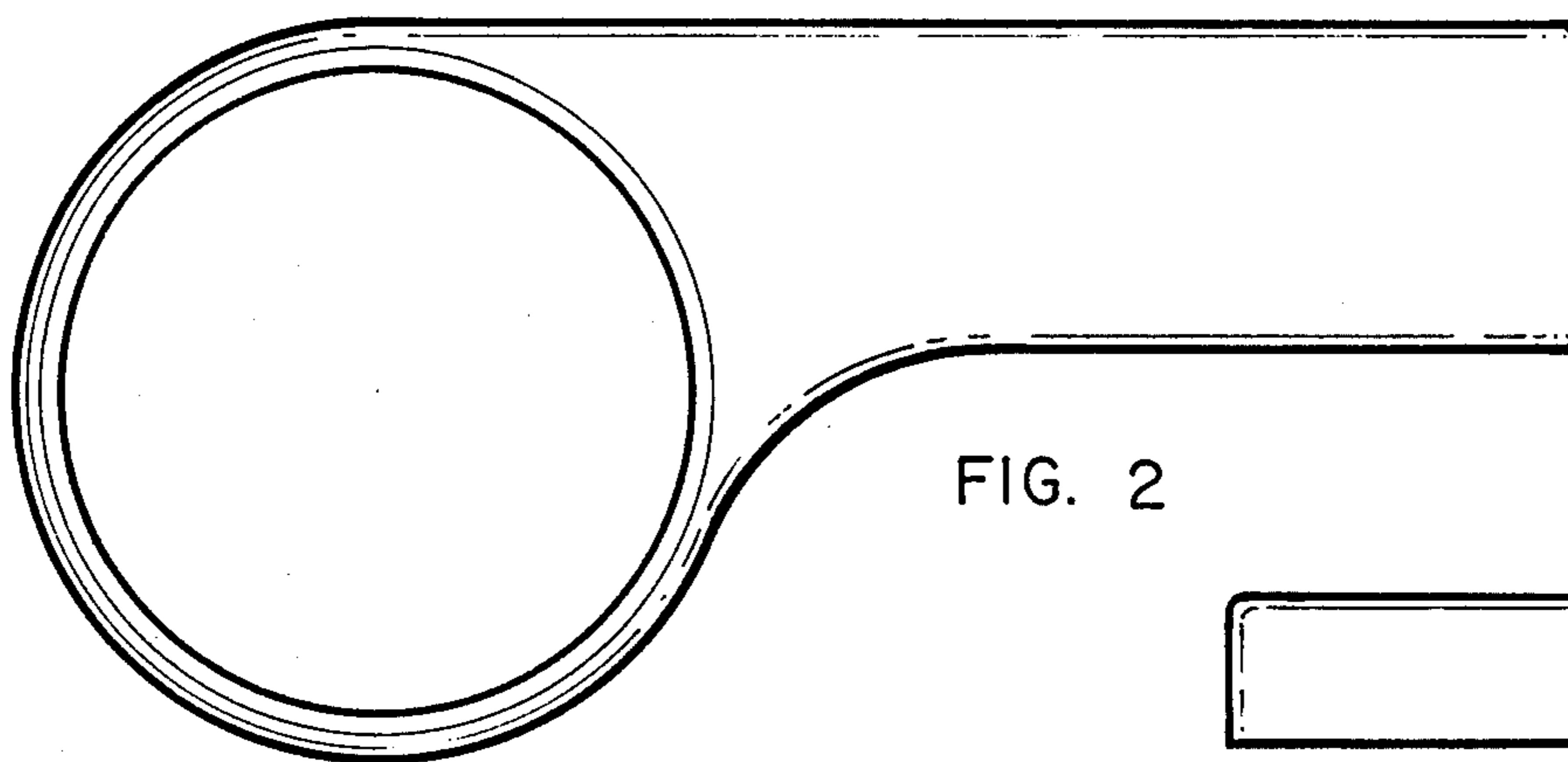


FIG. 2



FIG. 3

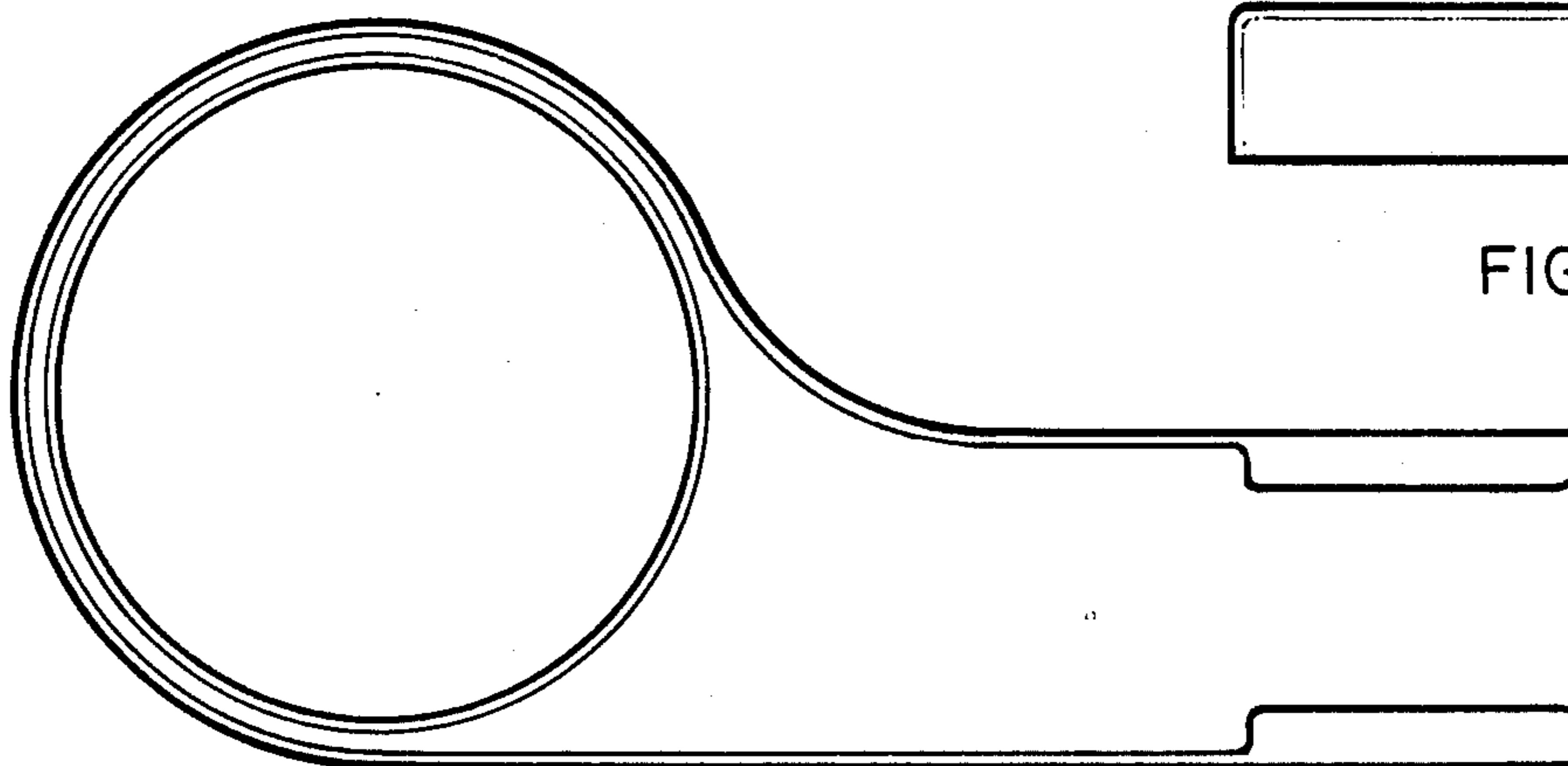


FIG. 5

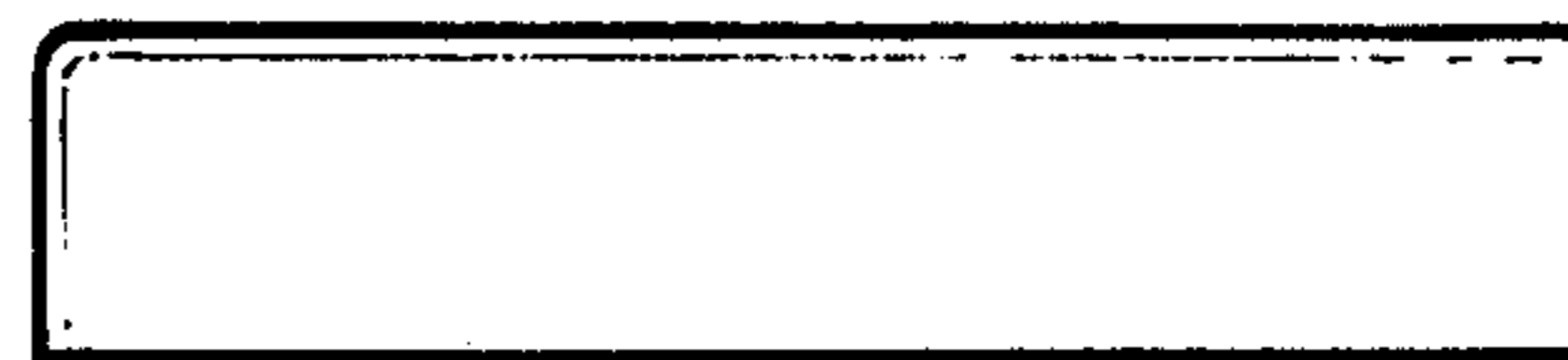


FIG. 4

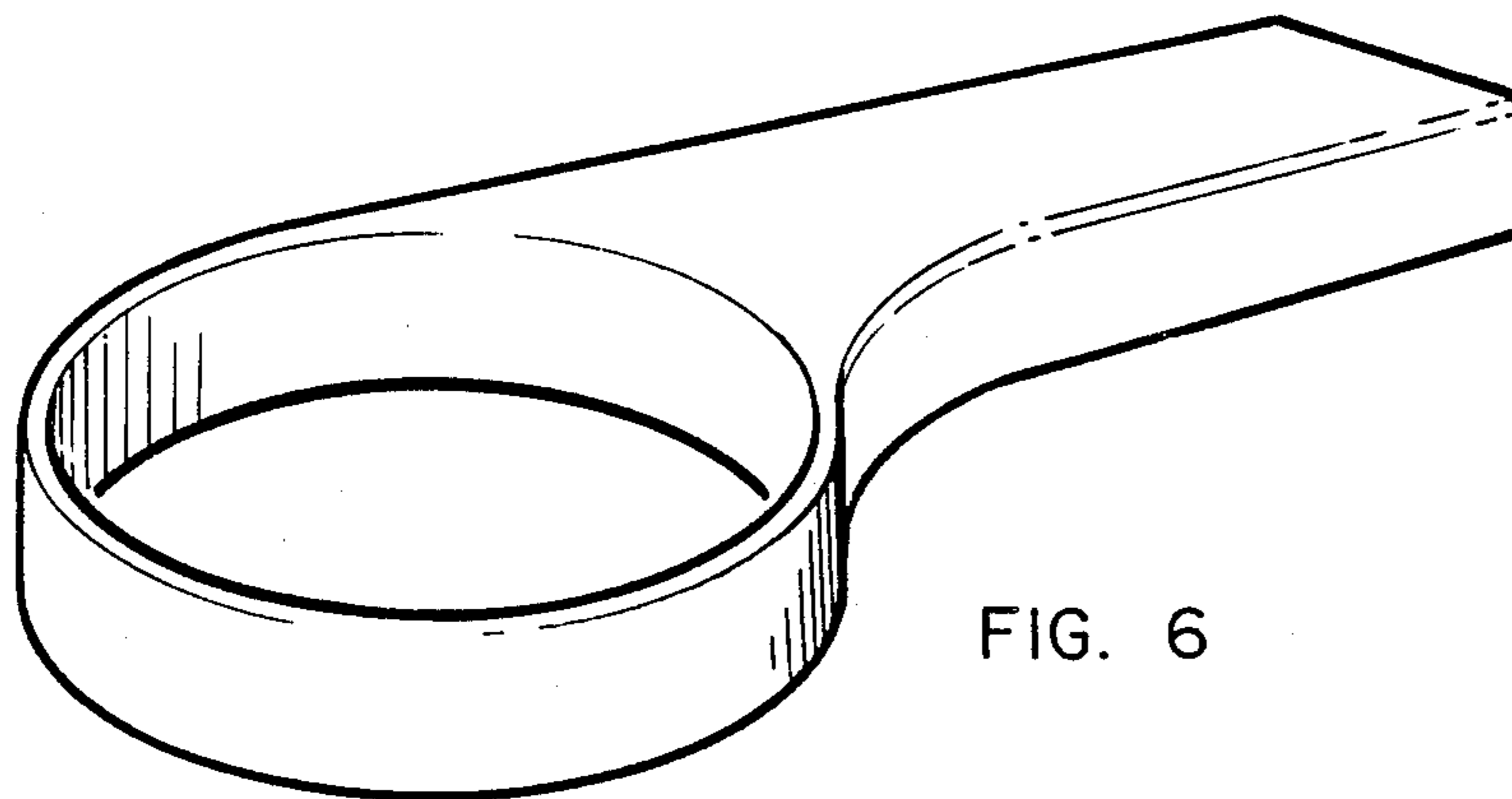


FIG. 6



FIG. 1

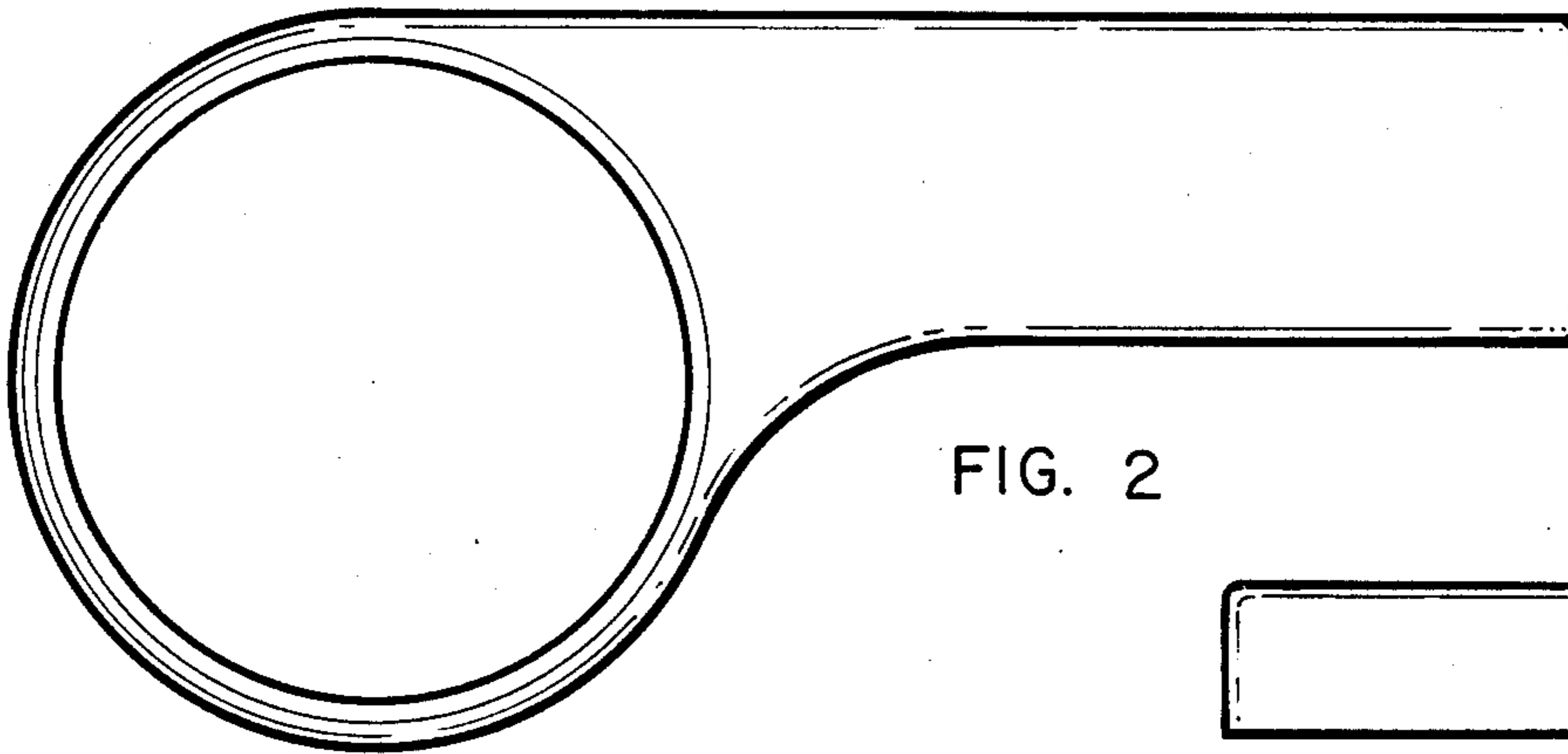


FIG. 2



FIG. 3

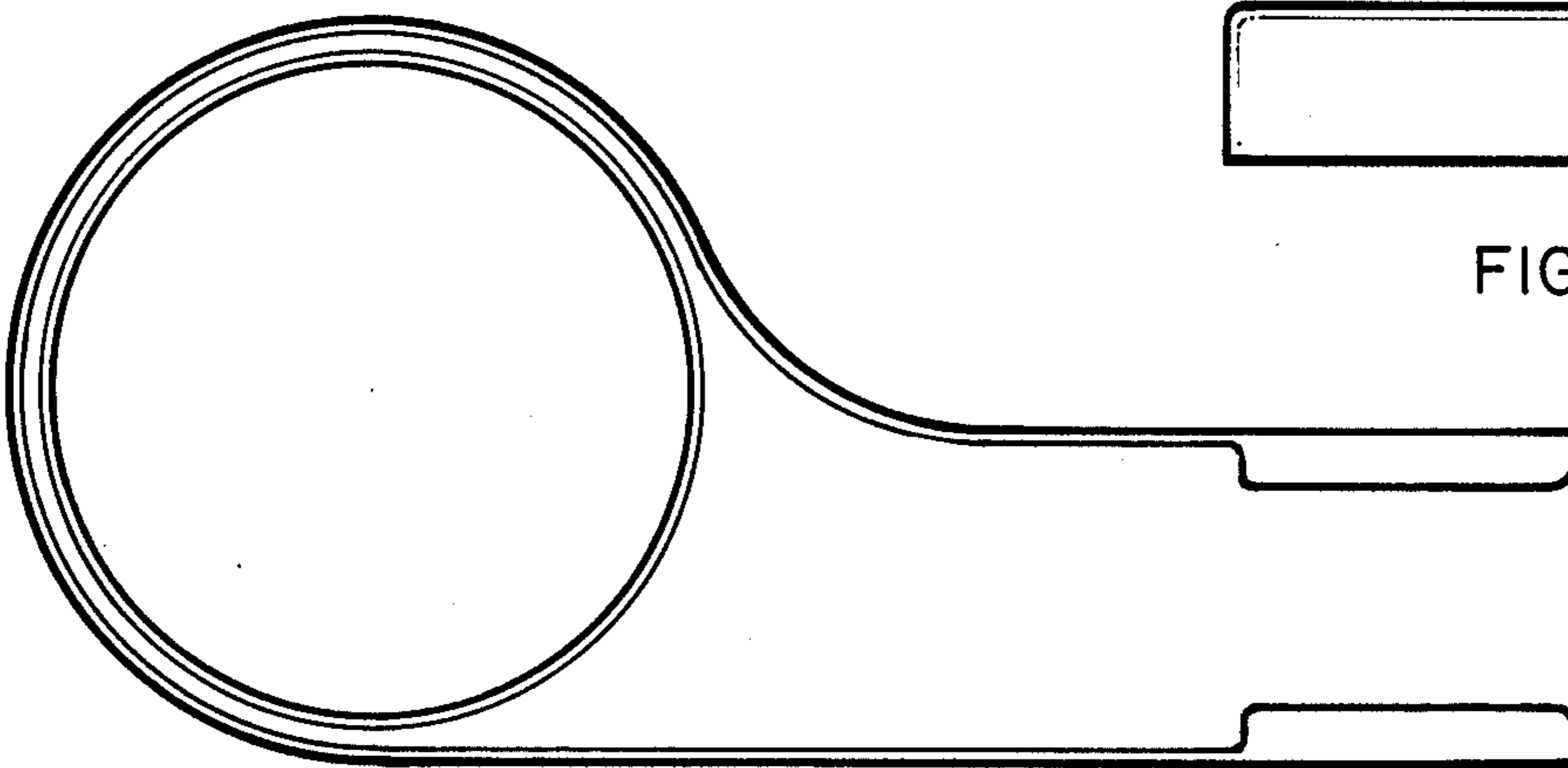


FIG. 5



FIG. 4

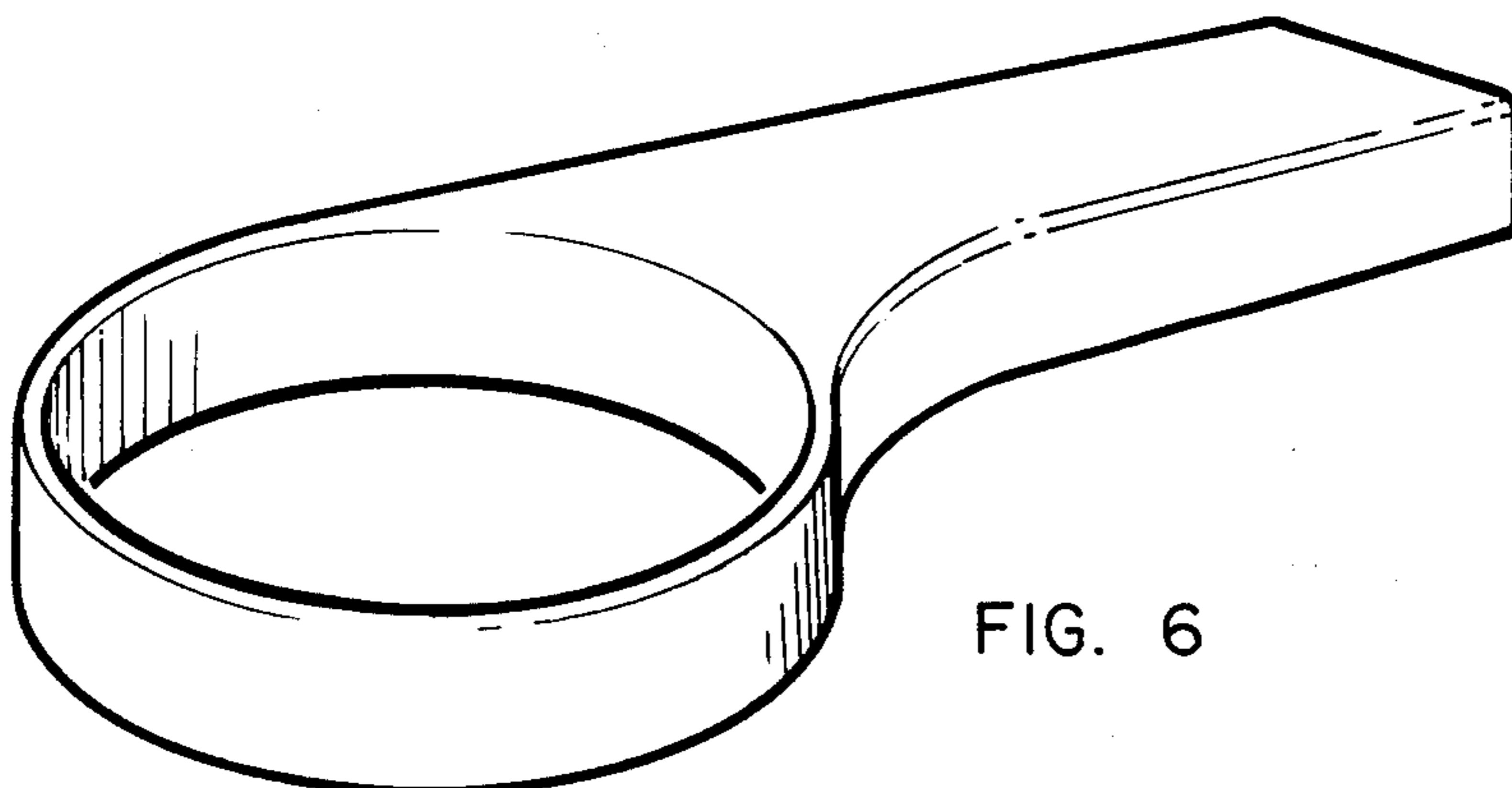


FIG. 6