

[54] BED

[75] Inventor: Adriano Balutto, Manzano, Italy

[73] Assignee: Pianca SpA, Gaiarine, Italy

[**] Term: 14 Years

[21] Appl. No.: 866,687

[22] Filed: May 22, 1986

[30] Foreign Application Priority Data

Nov. 29, 1985 [IT] Italy 60503/85[U]
Feb. 7, 1986 [IT] Italy 60314/86[U]

[52] U.S. Cl. D6/384

[58] Field of Search D6/384, 382, 393, 394,
D6/505, 506, 507; 5/2 R, 2 B, 53 R

[56] References Cited

U.S. PATENT DOCUMENTS

- D. 86,064 1/1932 Squires D6/393 X
- D. 152,512 1/1949 Ziegenfuss D6/384
- D. 168,800 2/1953 May D6/384 X
- D. 241,291 9/1976 Offredi D6/384
- D. 281,563 12/1985 Rougier D6/393 X

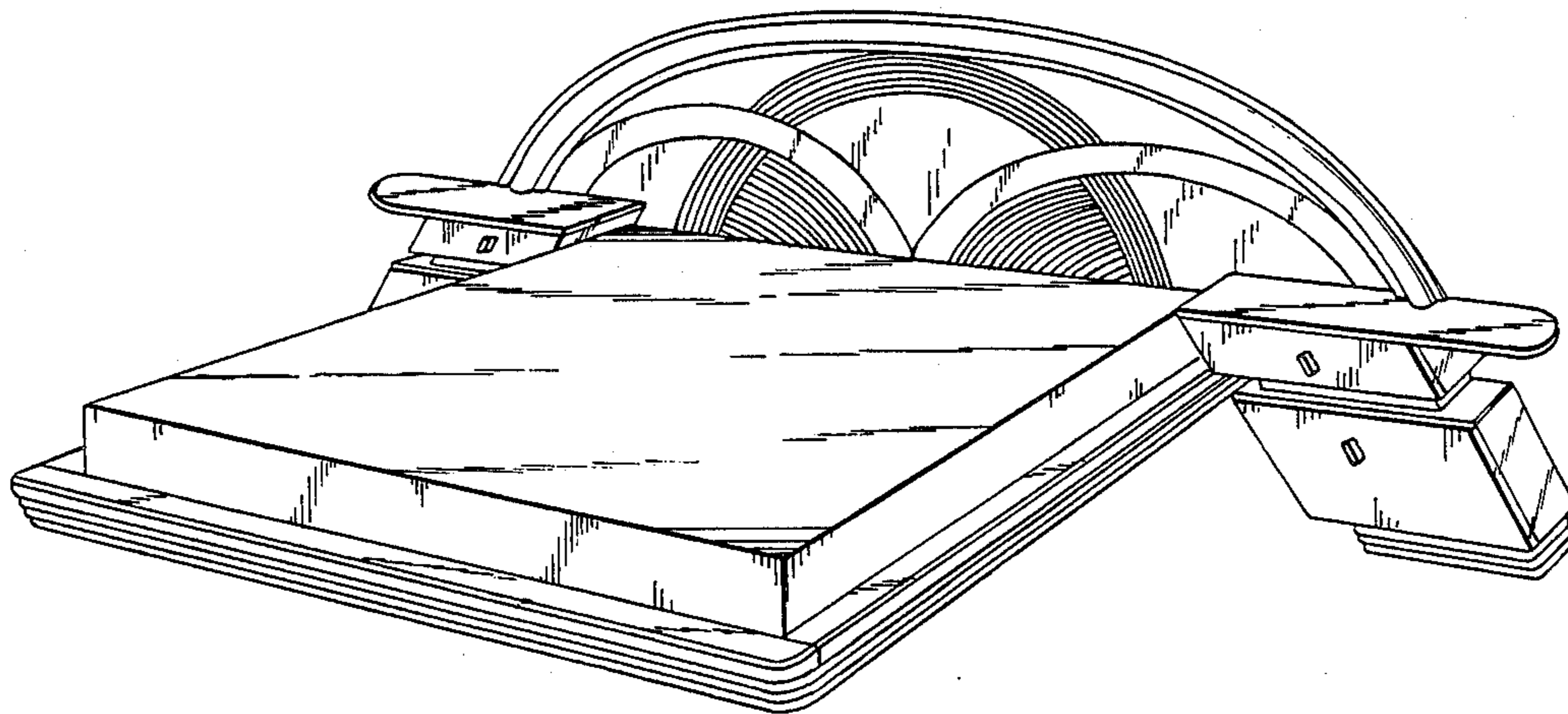
Primary Examiner—Bruce W. Dunkins
Attorney, Agent, or Firm—Flynn, Thiel, Boutell & Tanis

[57] CLAIM

The ornamental design for a bed, as shown and described.

DESCRIPTION

FIG. 1 is a front perspective view of a bed showing my design;
 FIG. 2 is a right side elevational view thereof, the left side elevational view thereof being a mirror image of FIG. 2 and hence not shown;
 FIG. 3 is a front elevational view thereof;
 FIG. 4 is a top view thereof; and
 FIG. 5 is a rear elevational view thereof;
 FIG. 6 is a front perspective view of a bed showing a second embodiment of my design;
 FIG. 7 is a right side elevational view thereof, the left side elevational view thereof being a mirror image of FIG. 7 and hence not shown;
 FIG. 8 is a front elevational view thereof;
 FIG. 9 is a top view thereof; and
 FIG. 10 is a rear elevational view thereof.



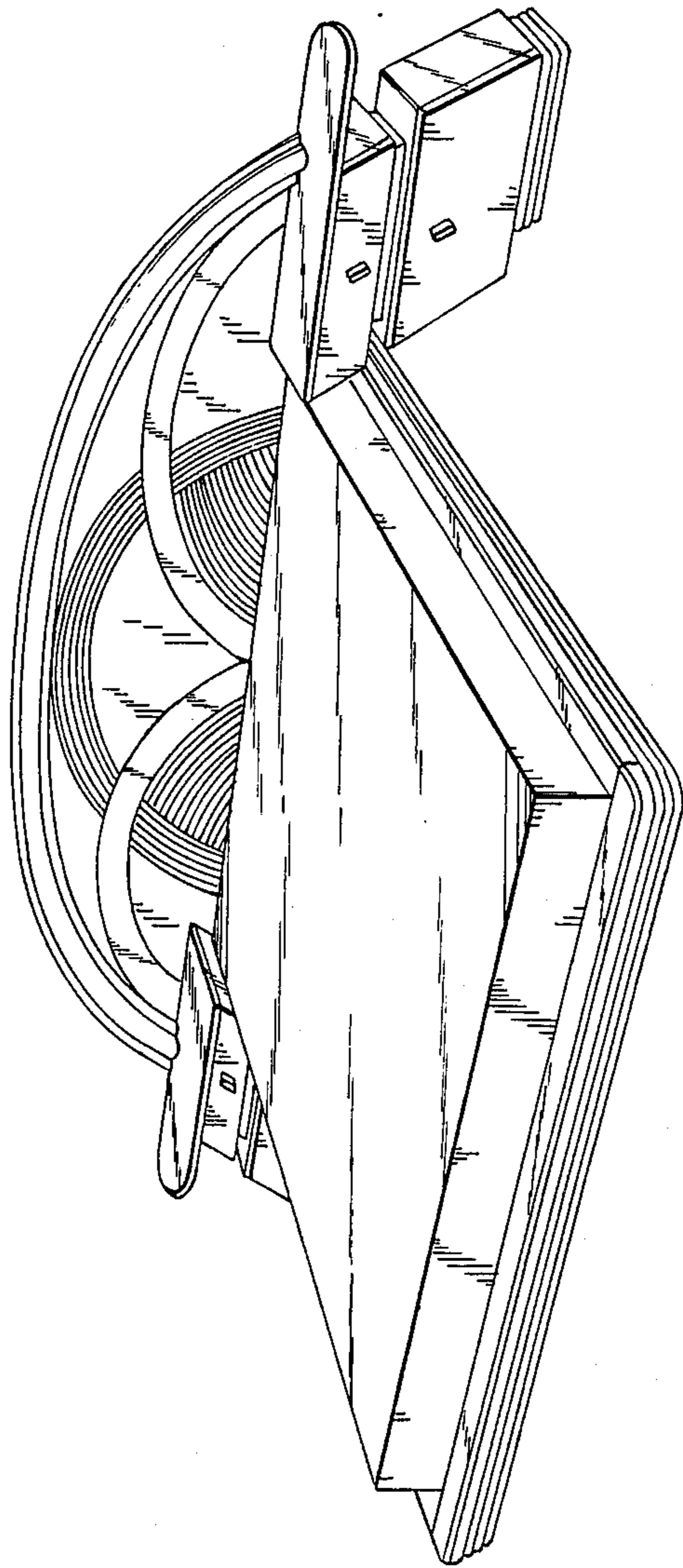


FIG. 1

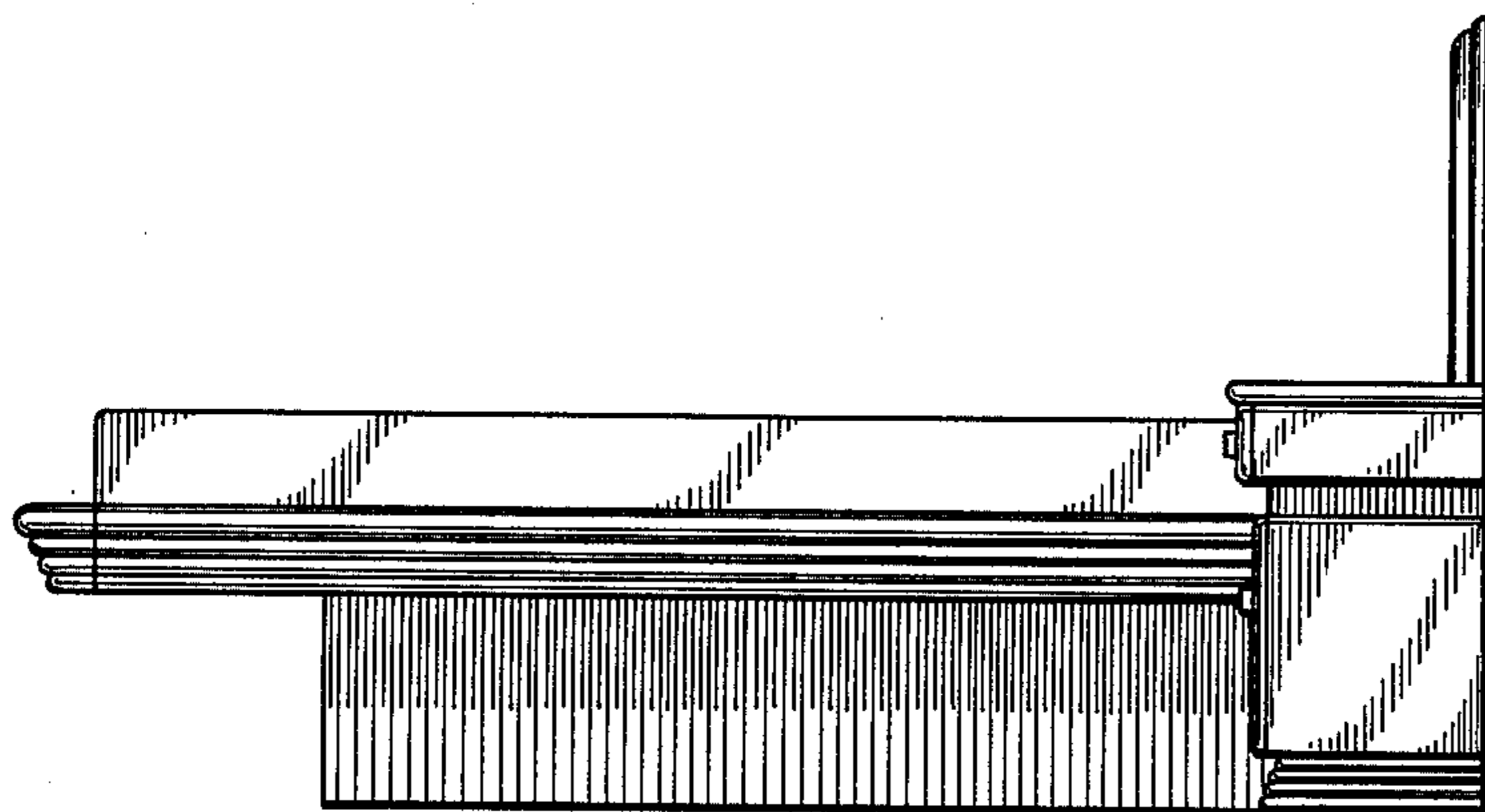


FIG. 2

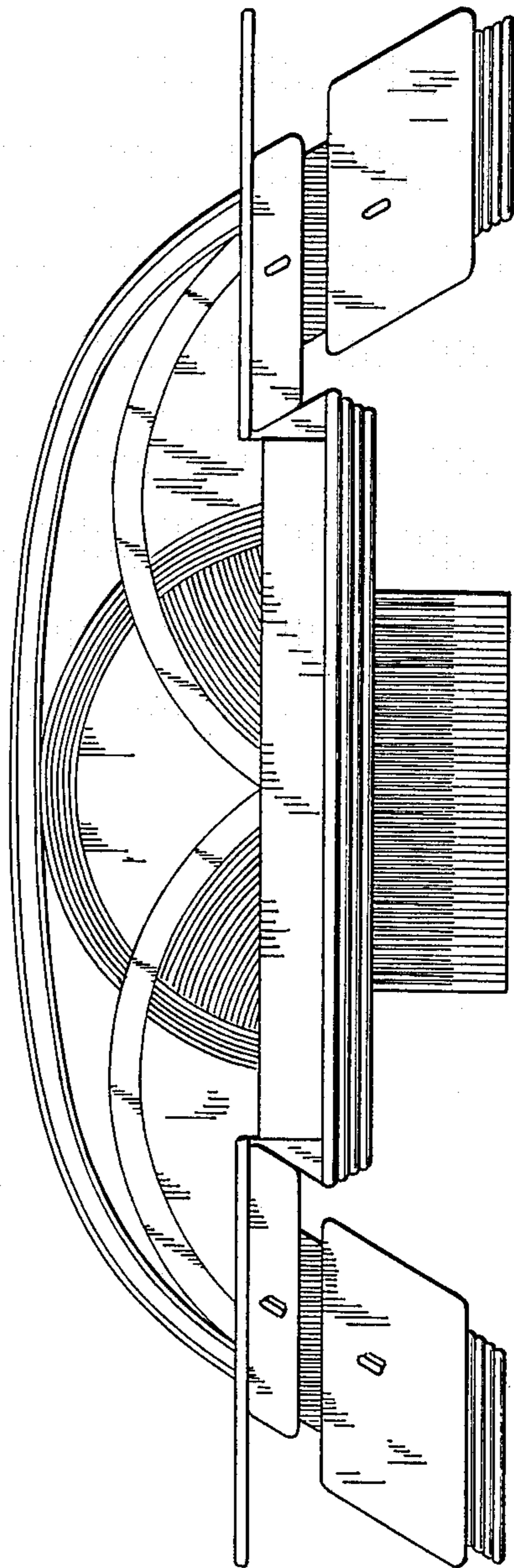


FIG. 3

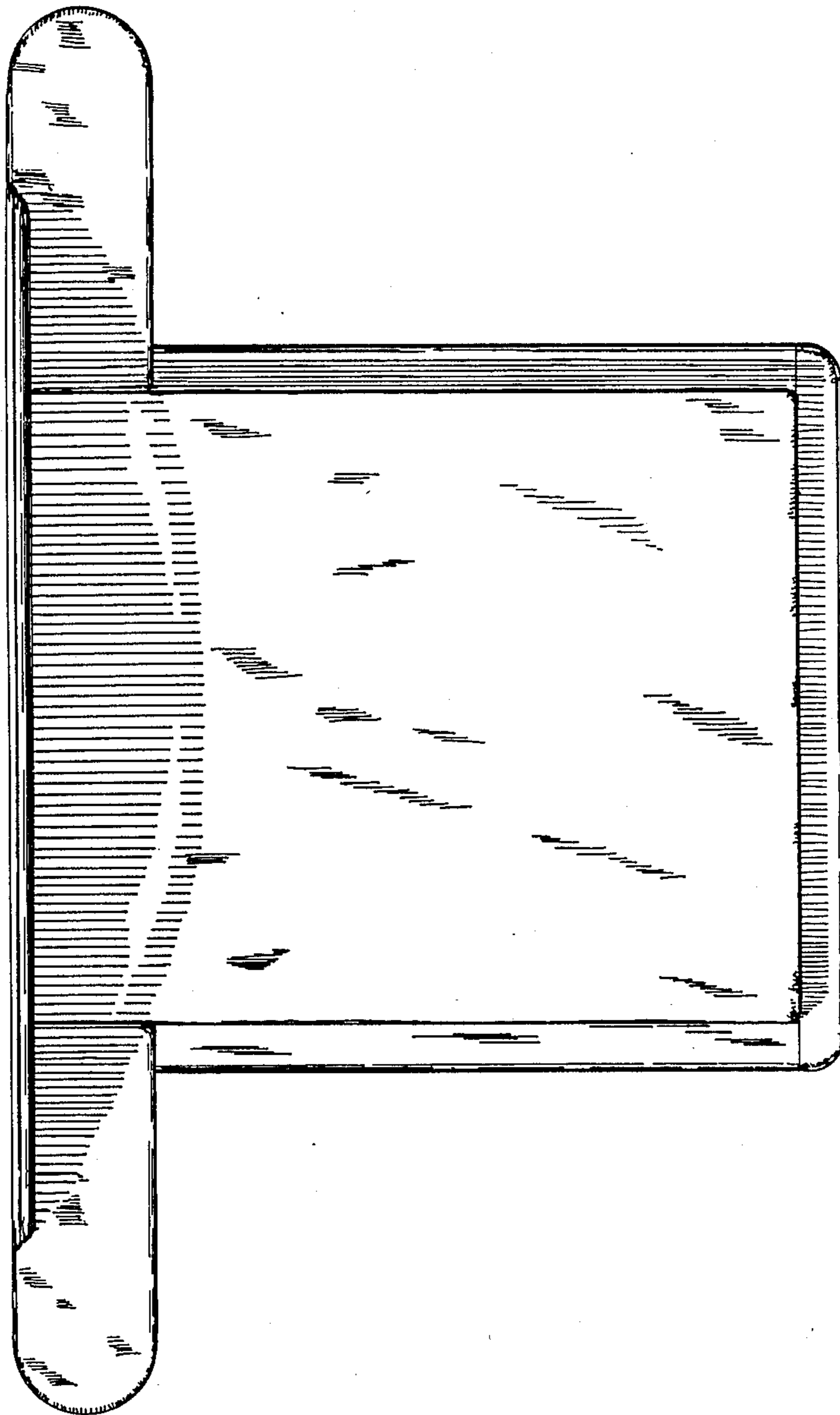


FIG. 4

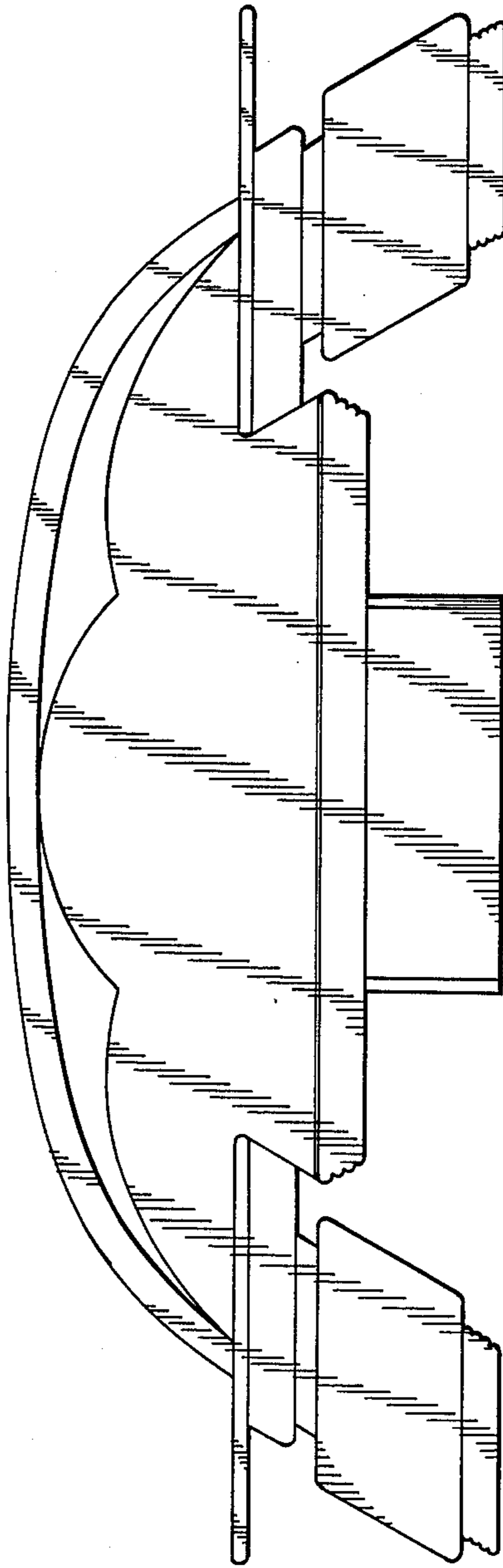


FIG. 5

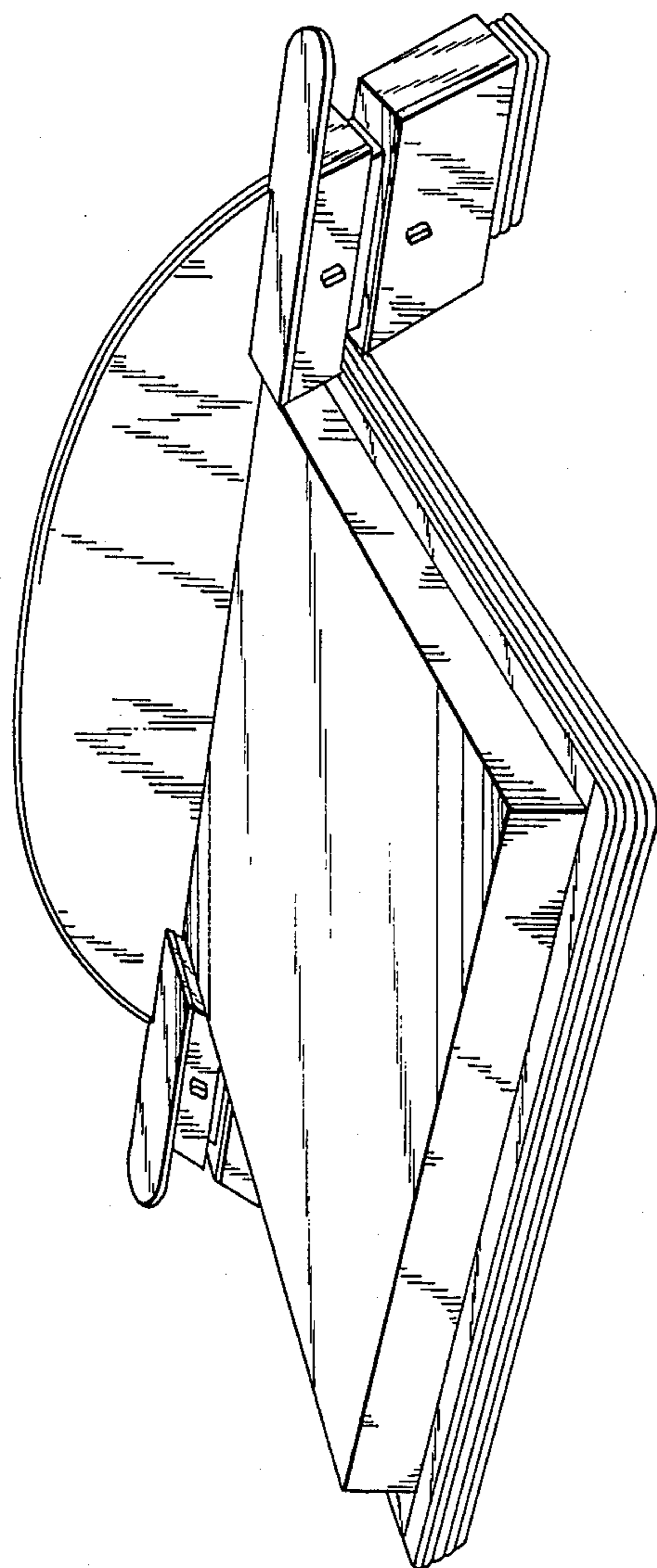


FIG. 6

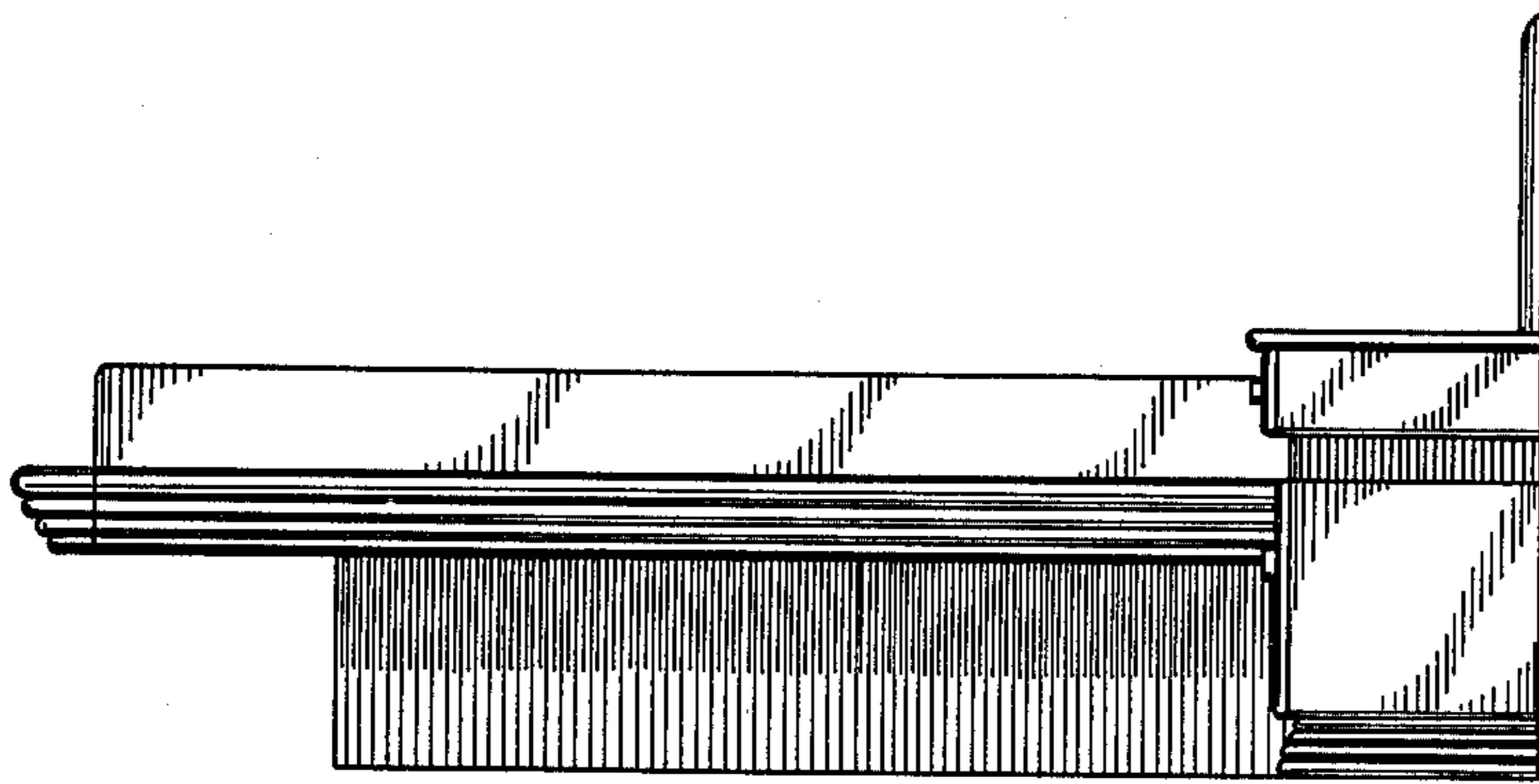


FIG. 7

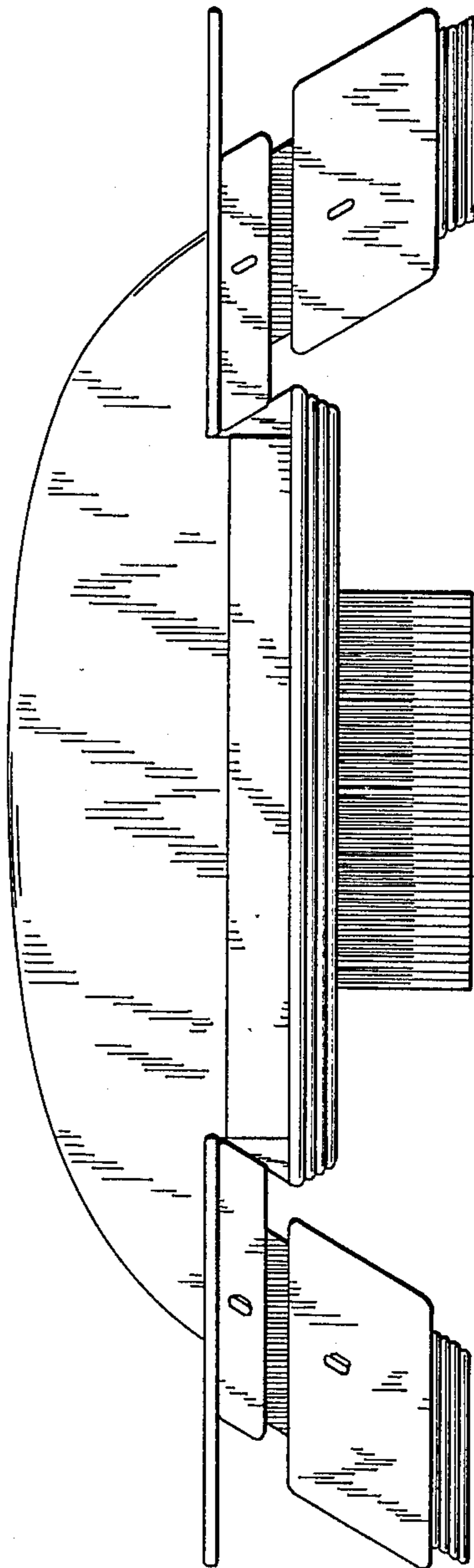


FIG. 8

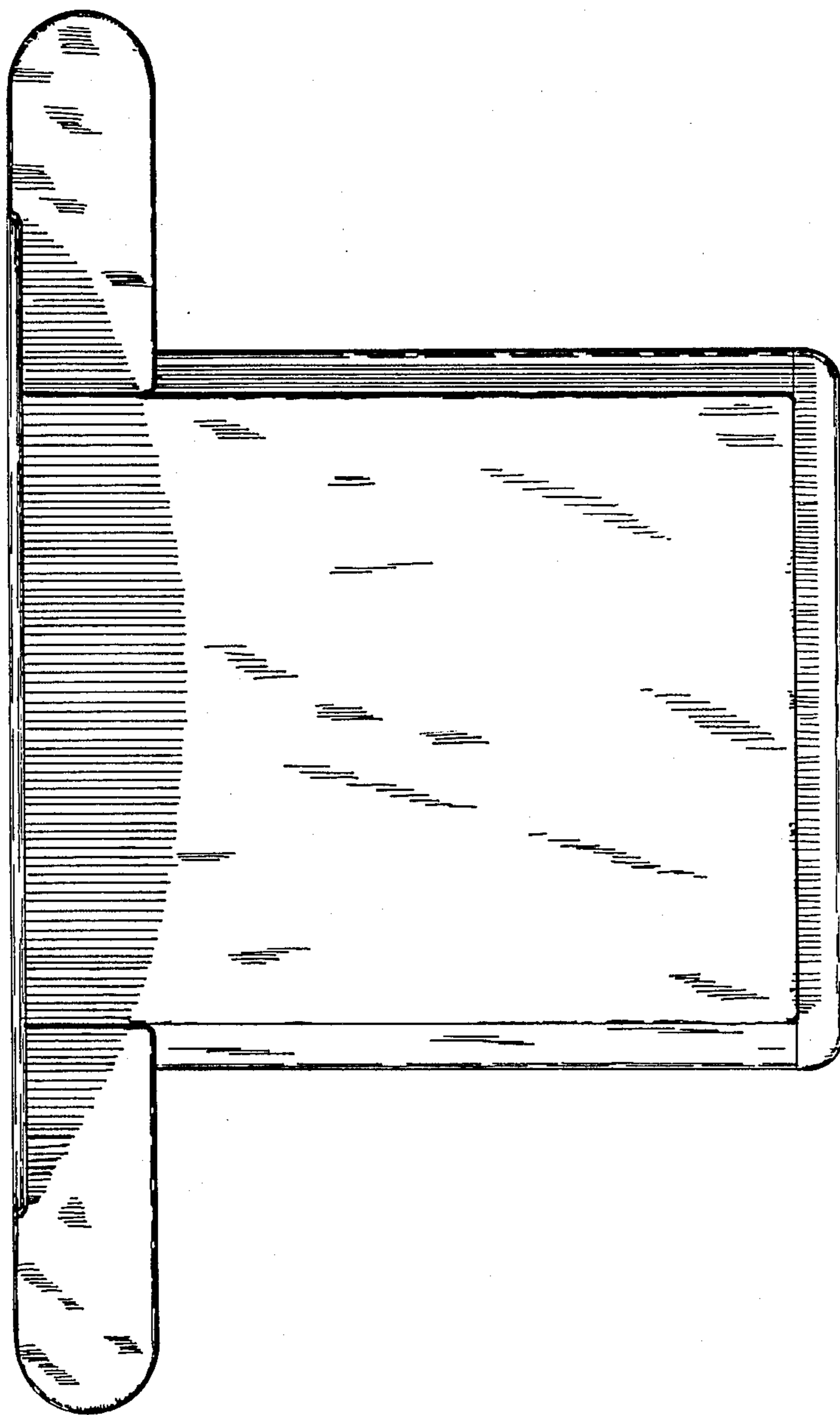


FIG. 9

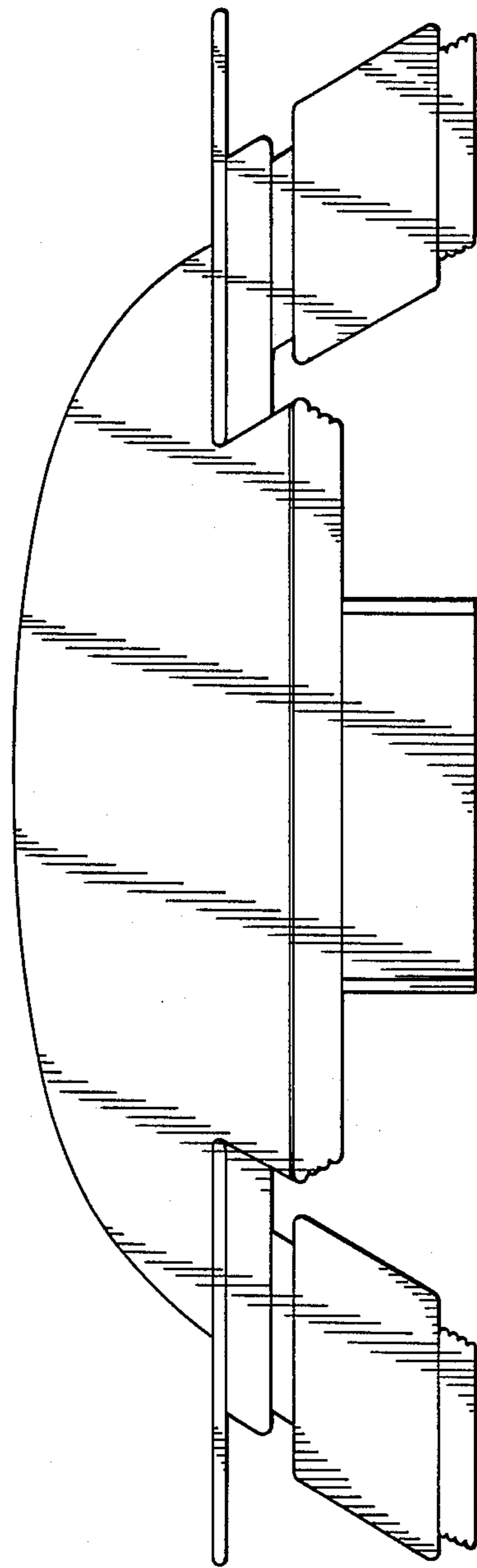


FIG. 10