

[54] CHILD'S ROCKER

[76] Inventors: Stephanie C. Funston, 24300 33rd Court West; Cynthia A. Vogel, 24074 34th Place West, both of Brier, Wash. 98036

[\*\*] Term: 14 Years

[21] Appl. No.: 792,940

[22] Filed: Oct. 30, 1985

[52] U.S. Cl. .... D6/345; D6/359

[58] Field of Search ..... D6/334, 339, 368, 369, D6/345, 348; 297/440, 441, 442

[56] References Cited

U.S. PATENT DOCUMENTS

- D. 193,056 6/1962 Hunter et al. .... D6/345
- D. 244,106 4/1977 London ..... D6/345
- D. 264,372 5/1982 Sachs ..... D6/345 X
- D. 266,118 9/1982 Wexler ..... D6/348
- D. 286,823 11/1986 Roser ..... D6/345
- 4,509,794 4/1985 Roland ..... 297/440

Primary Examiner—Bruce W. Dunkins

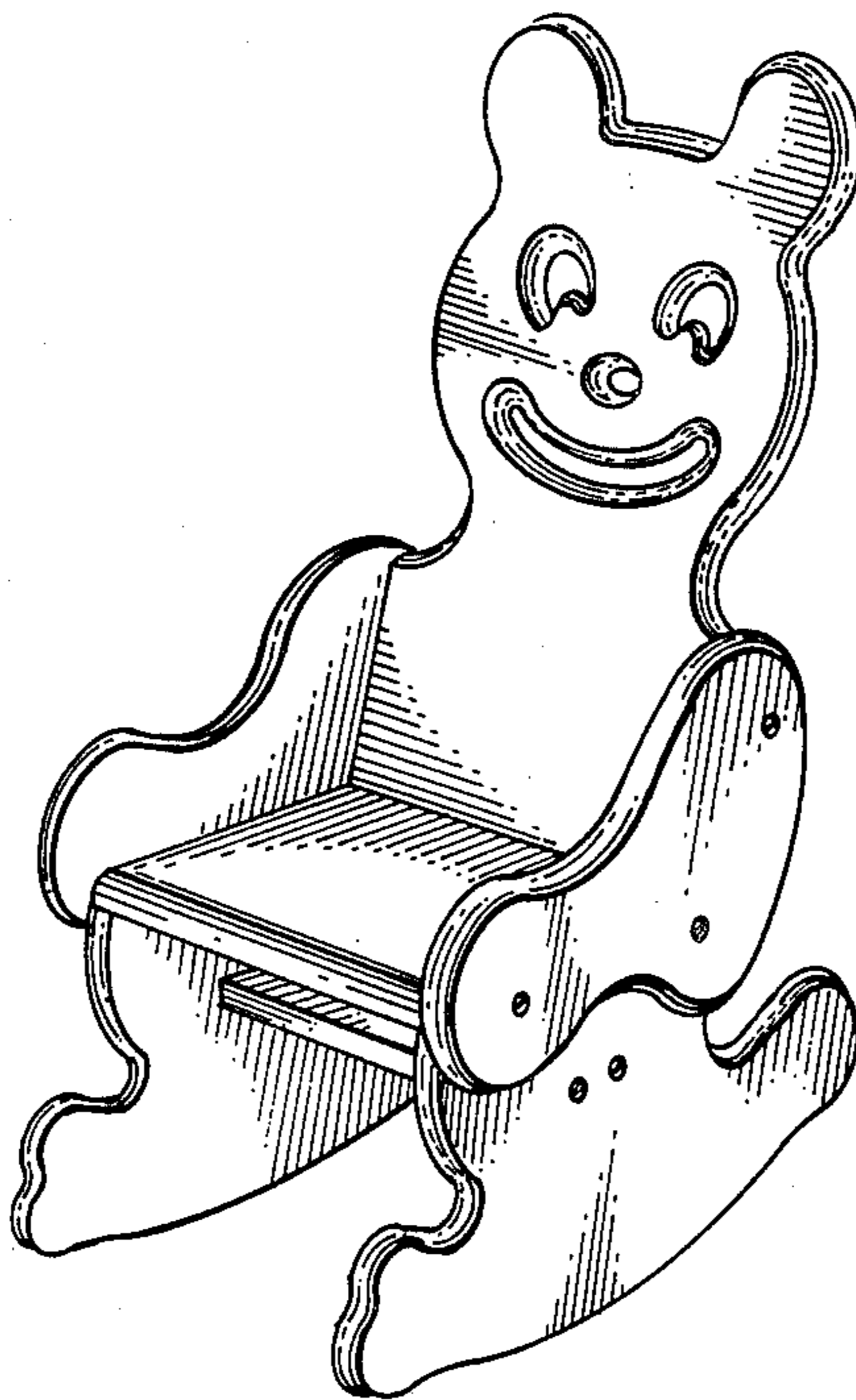
Attorney, Agent, or Firm—Ward Brown; Robert W. Beach

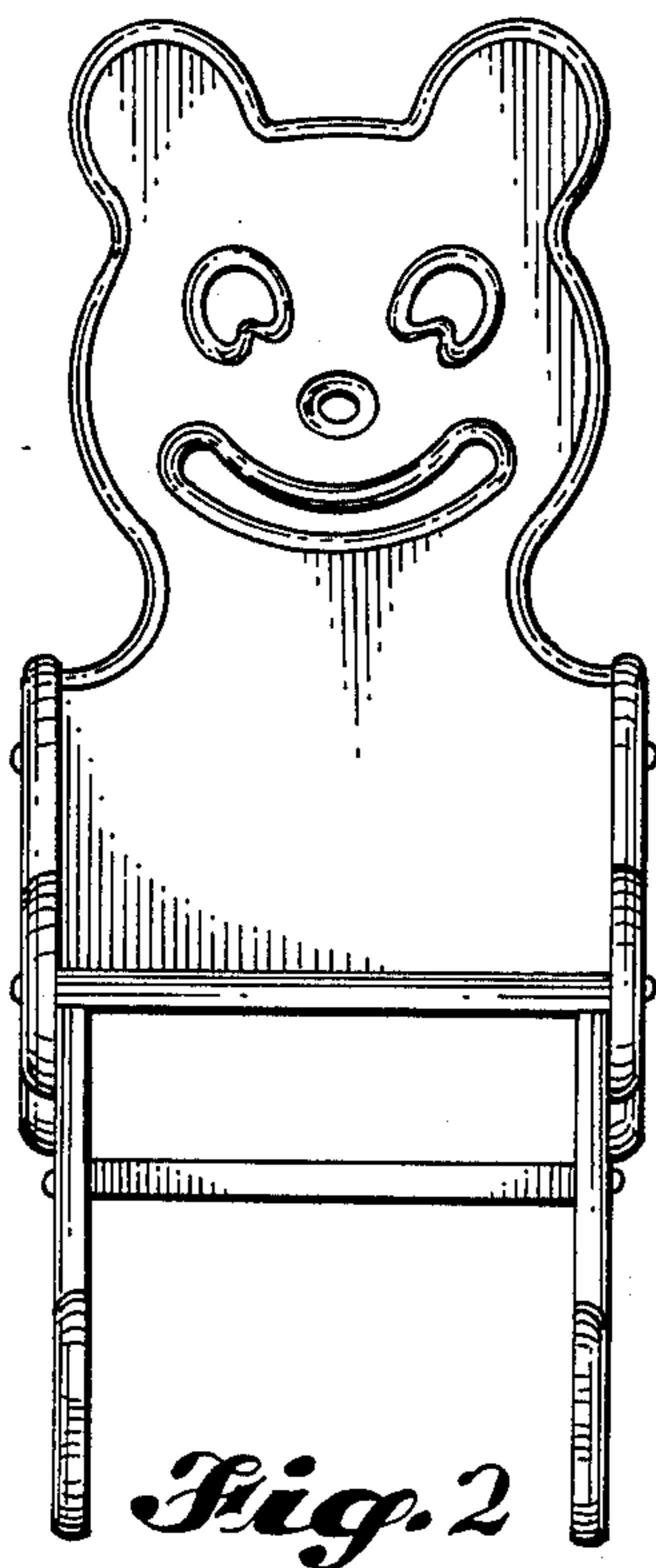
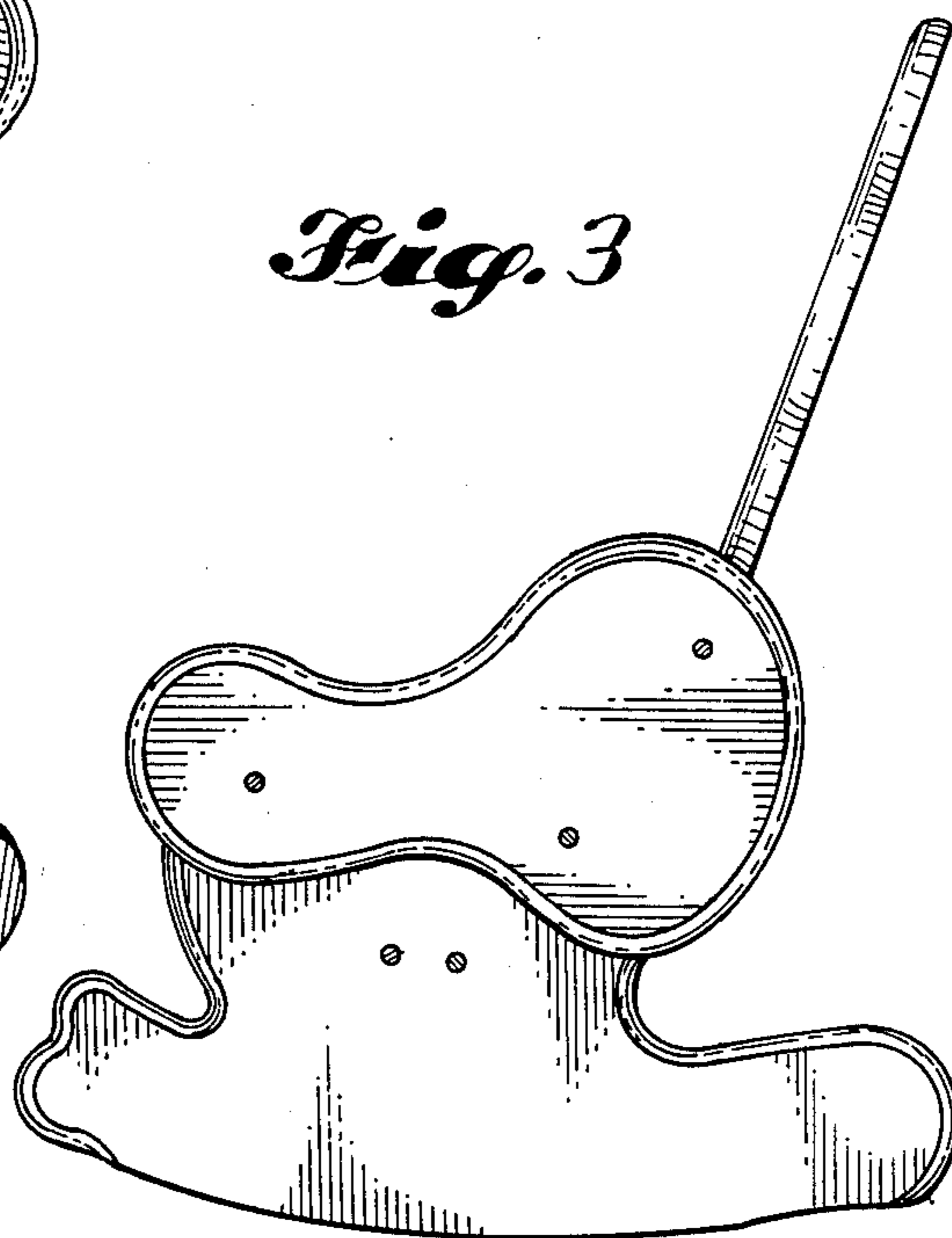
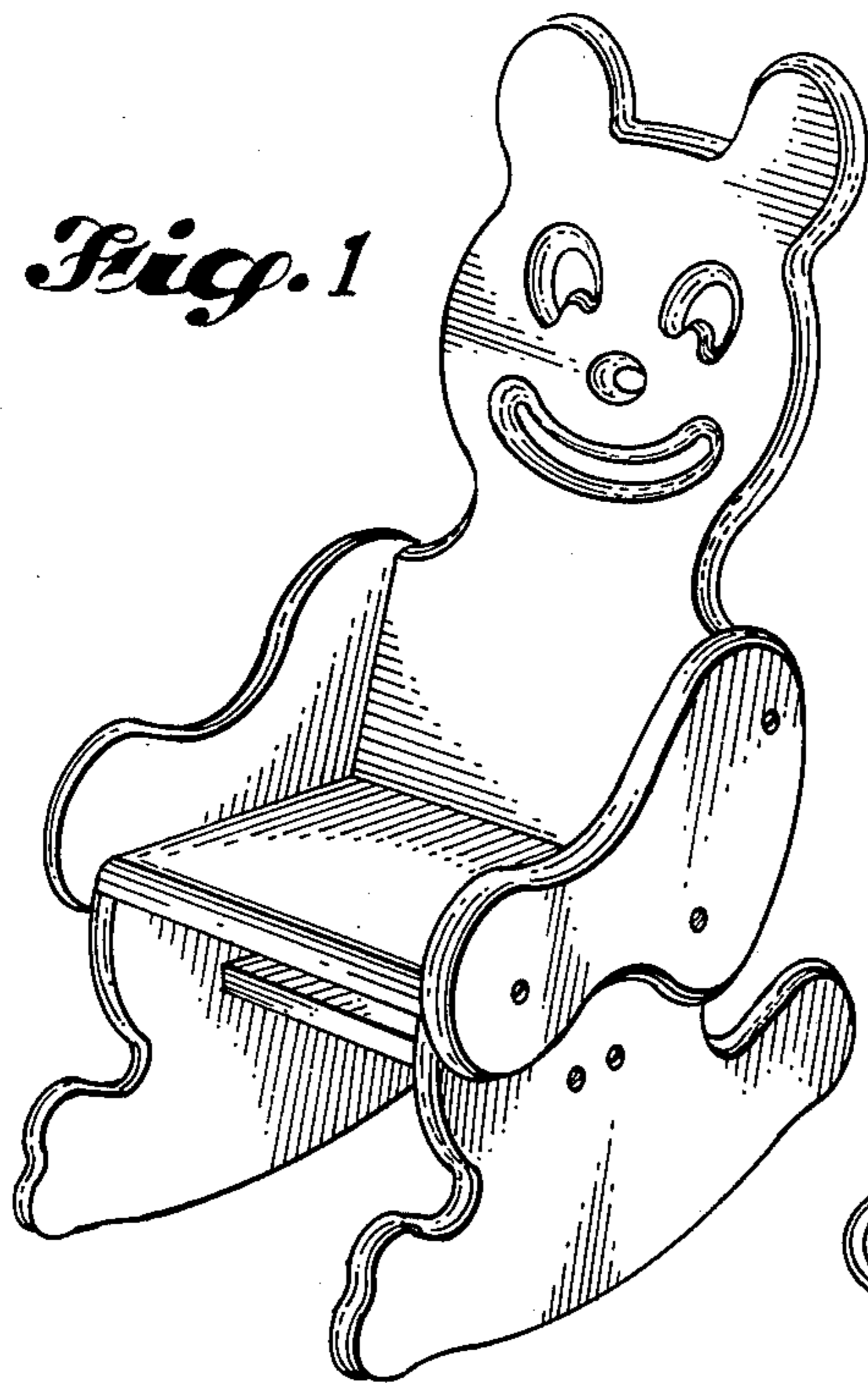
[57] CLAIM

The ornamental design for a child's rocker, as shown and described.

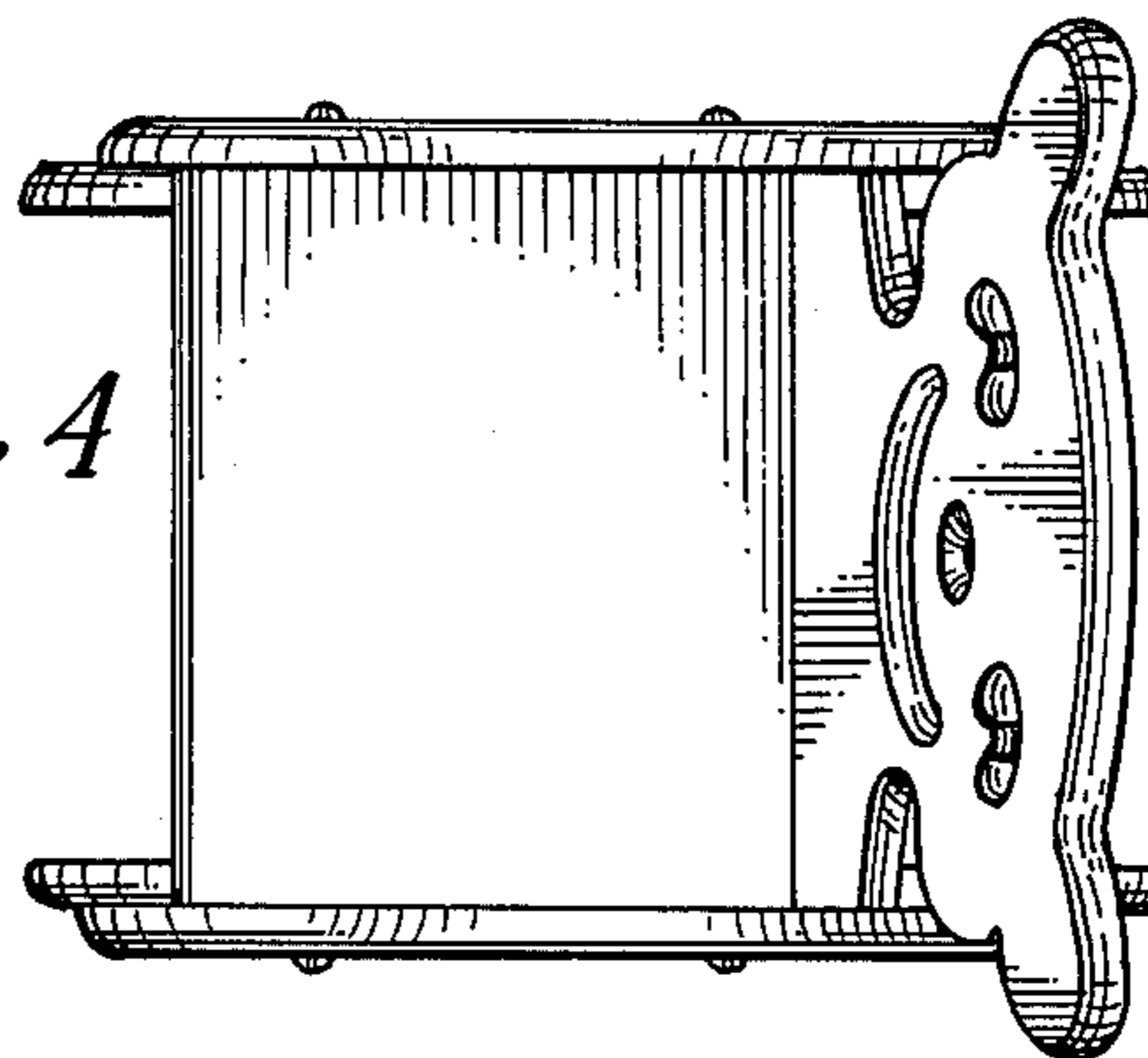
DESCRIPTION

FIG. 1 is a front perspective view of a child's rocker showing our new design;  
 FIG. 2 is a front elevation view thereof;  
 FIG. 3 is a side elevation view thereof taken from the right of FIG. 2;  
 FIG. 4 is a top plan view thereof;  
 FIG. 5 is a bottom plan view thereof;  
 FIG. 6 is a side elevation view thereof taken from the left of FIG. 2;  
 FIG. 7 is a rear elevation view thereof;  
 FIG. 8 is a front perspective view showing our design in the form of a dual rocker.  
 FIG. 9 is a top perspective view of a third embodiment thereof; and  
 FIG. 10 is a front elevation view of the third embodiment thereof.

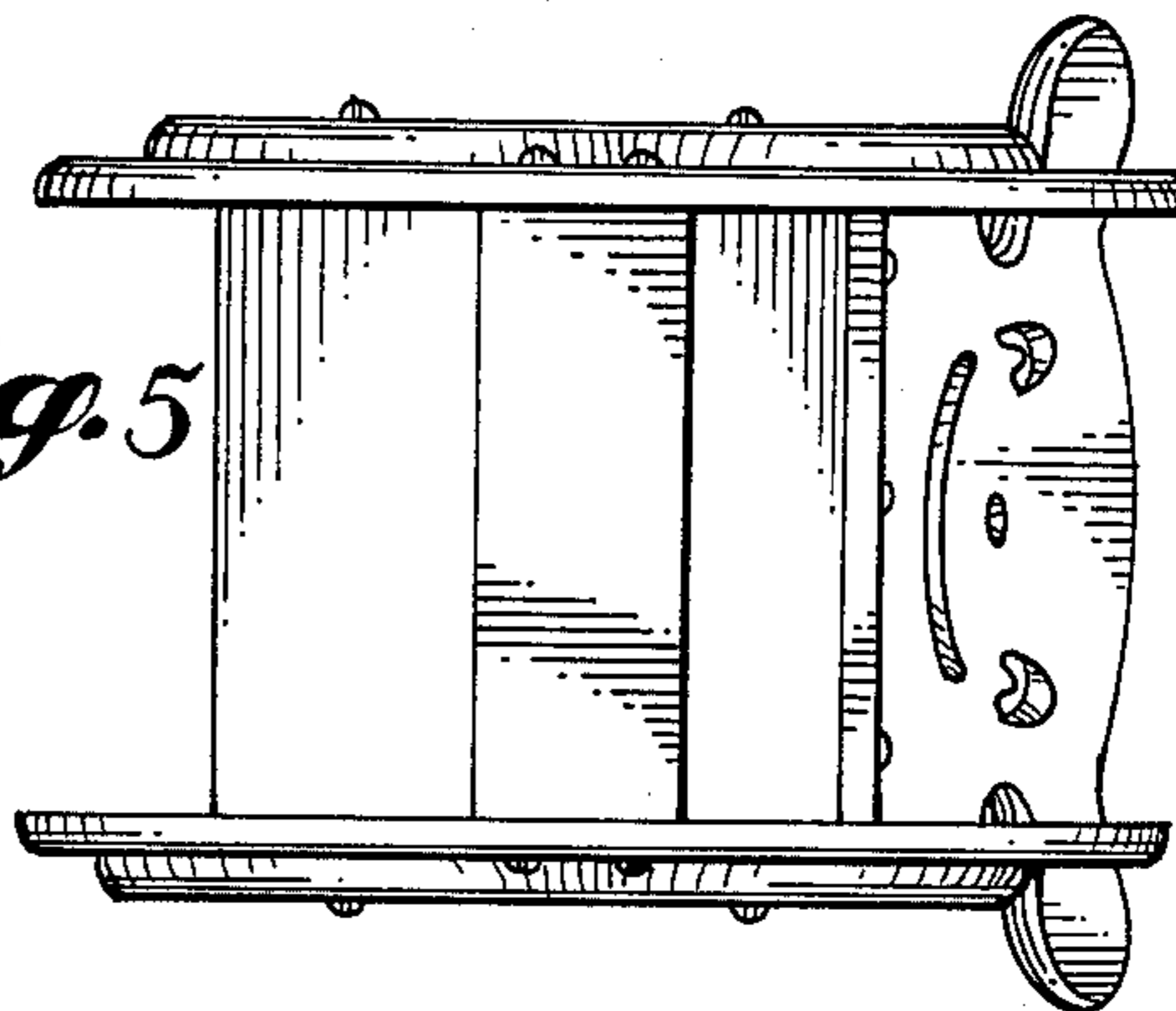


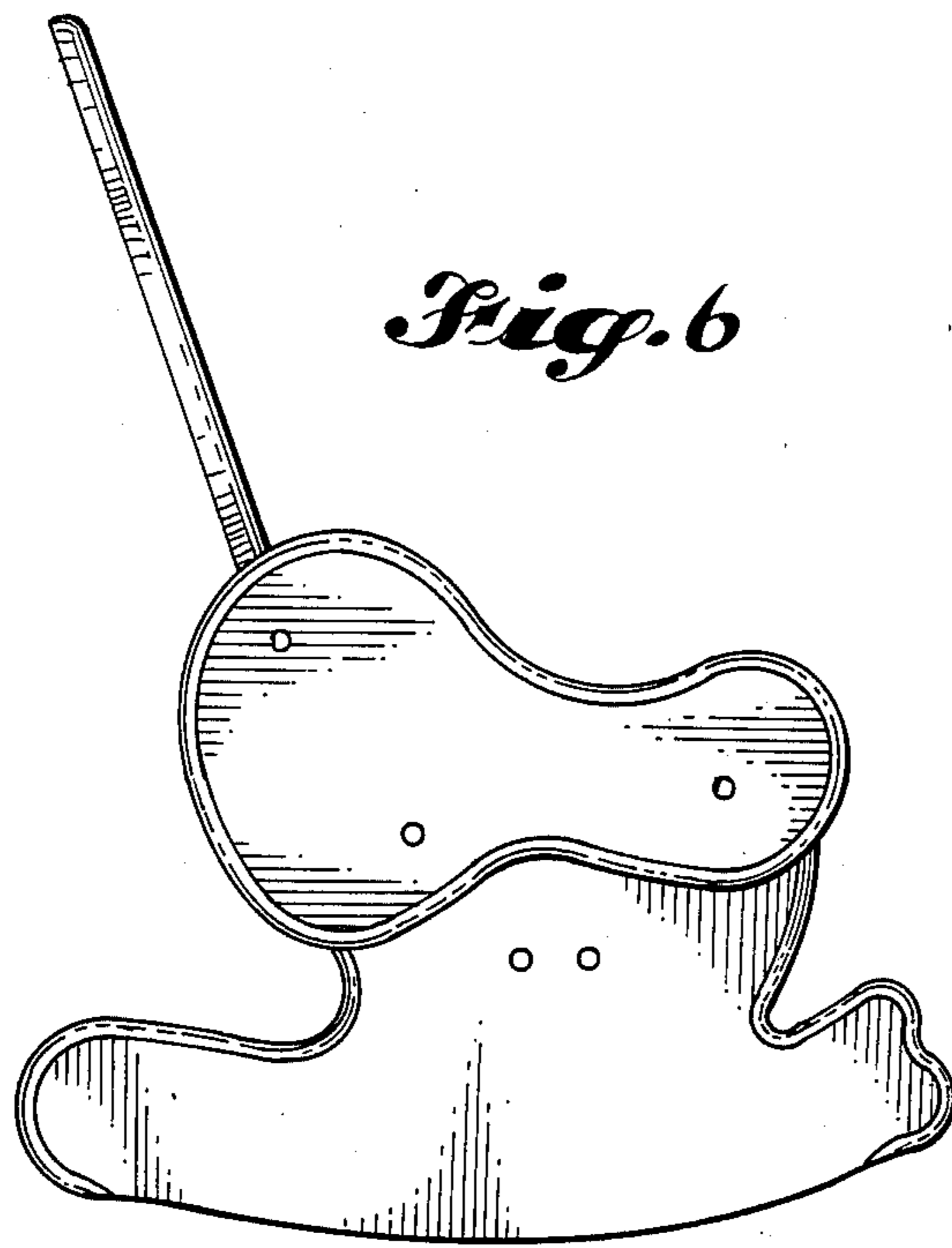


*Fig. 4*

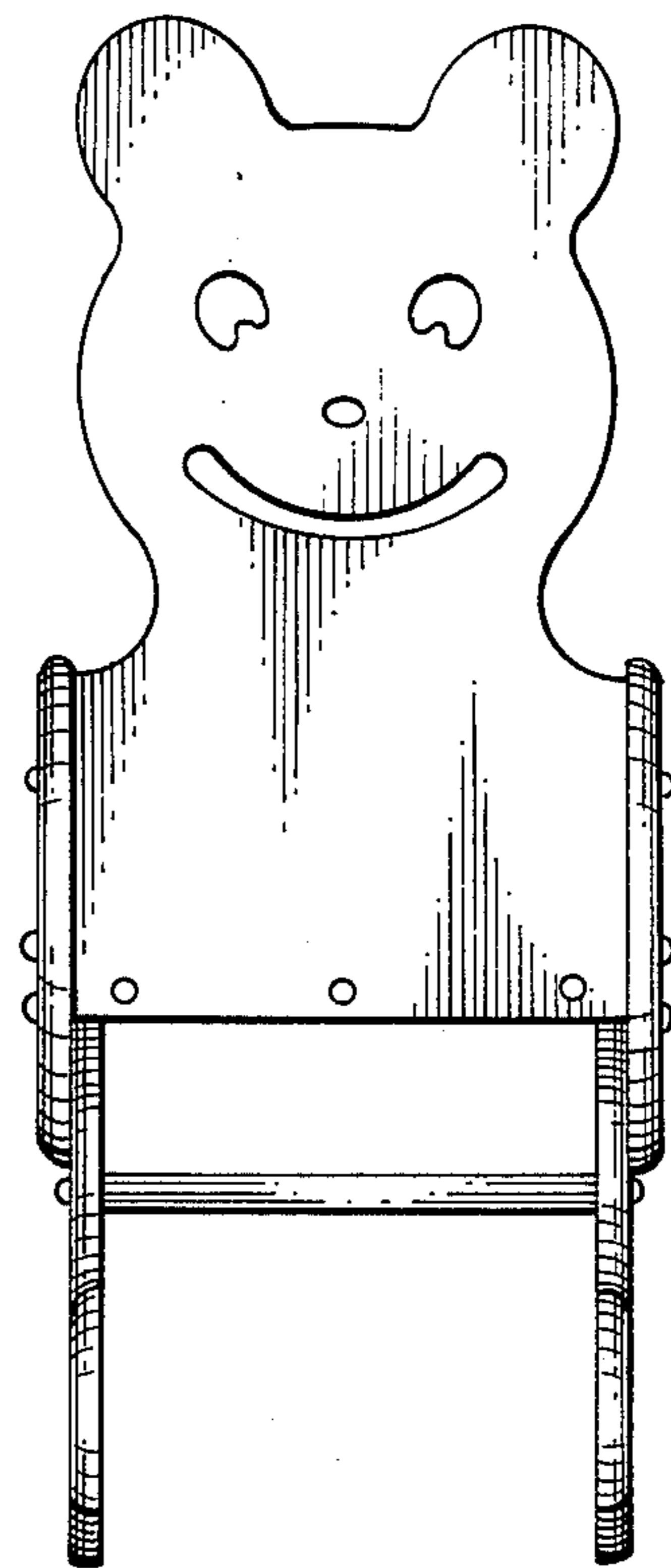


*Fig. 5*

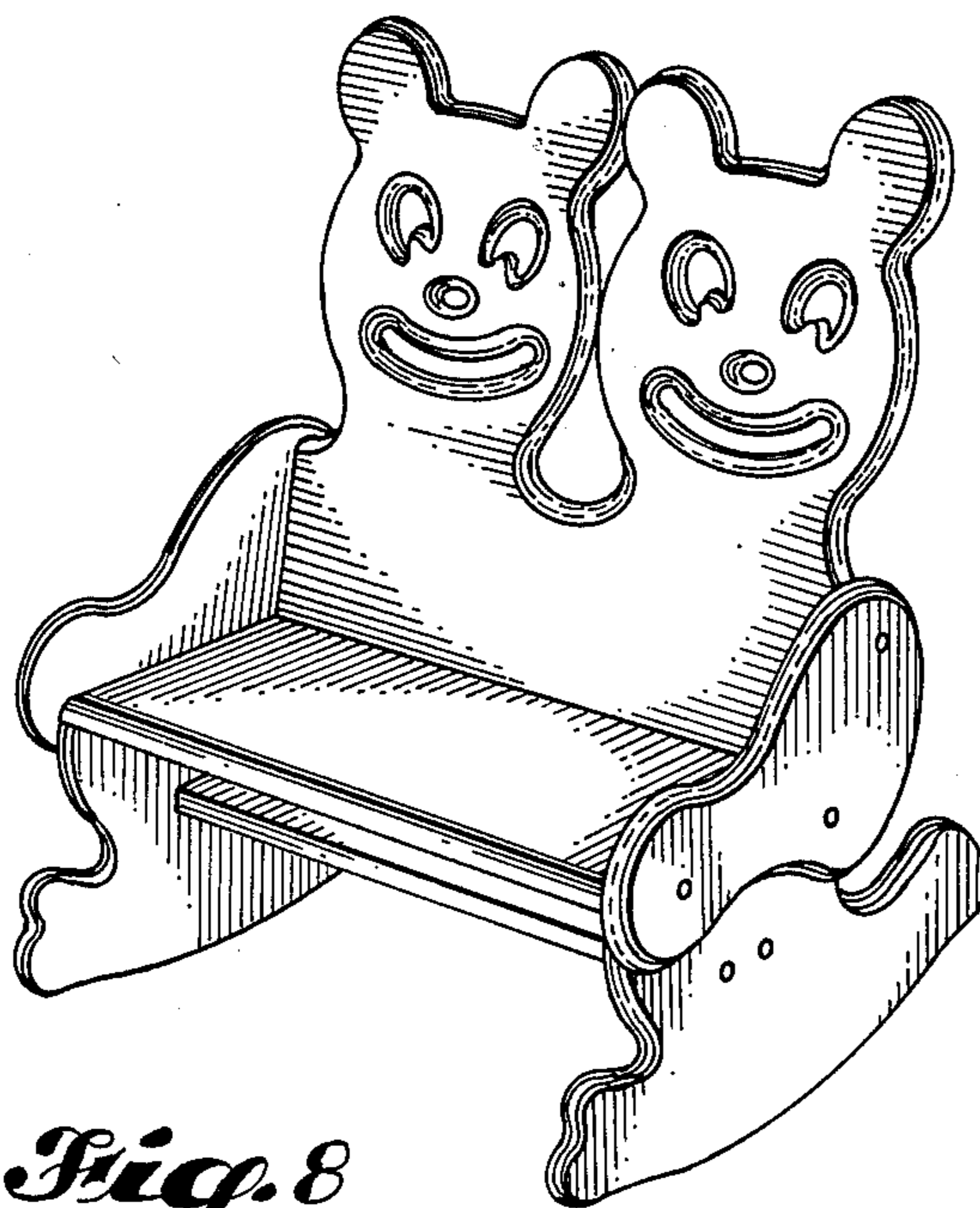




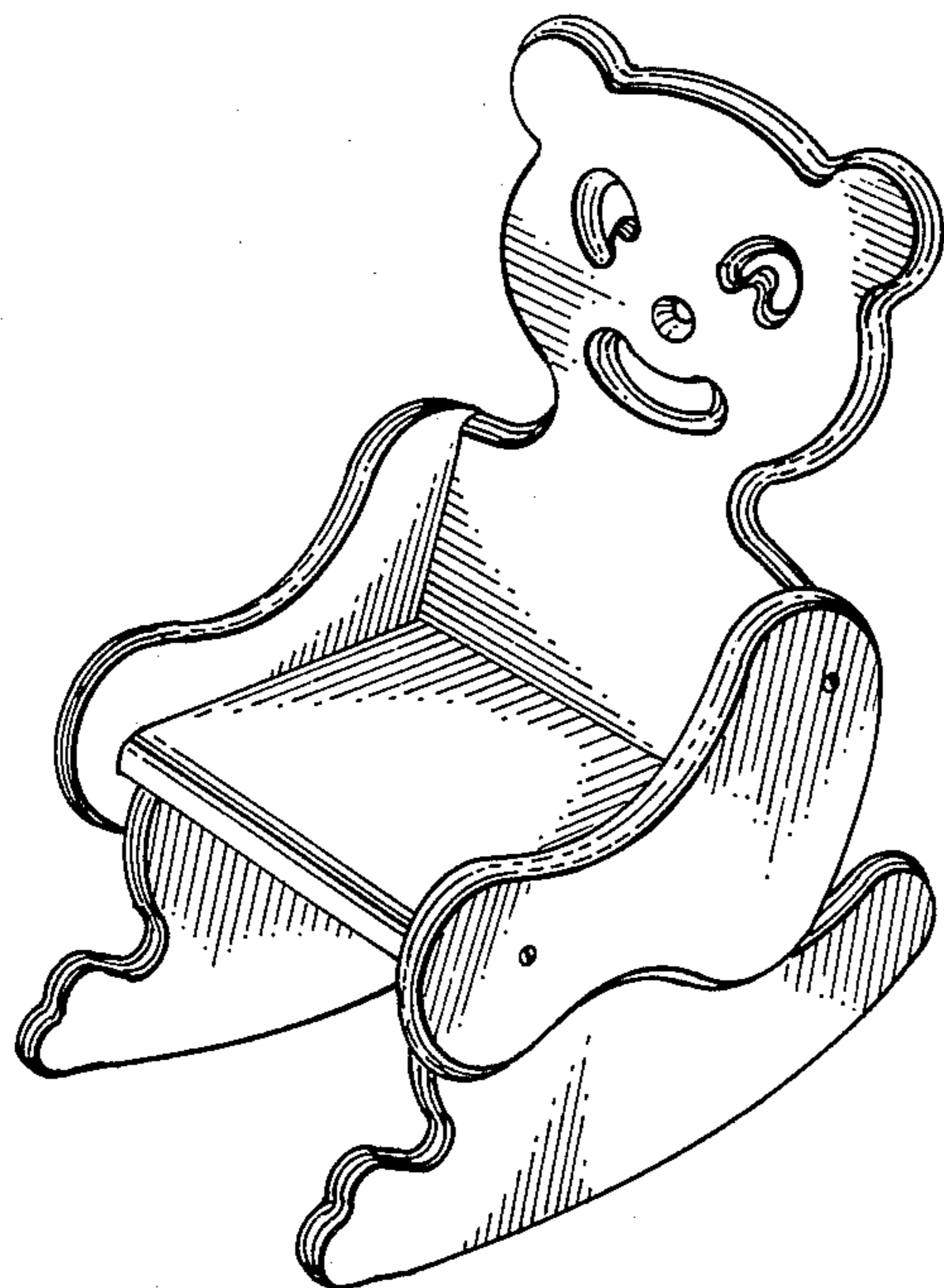
*Fig. 6*



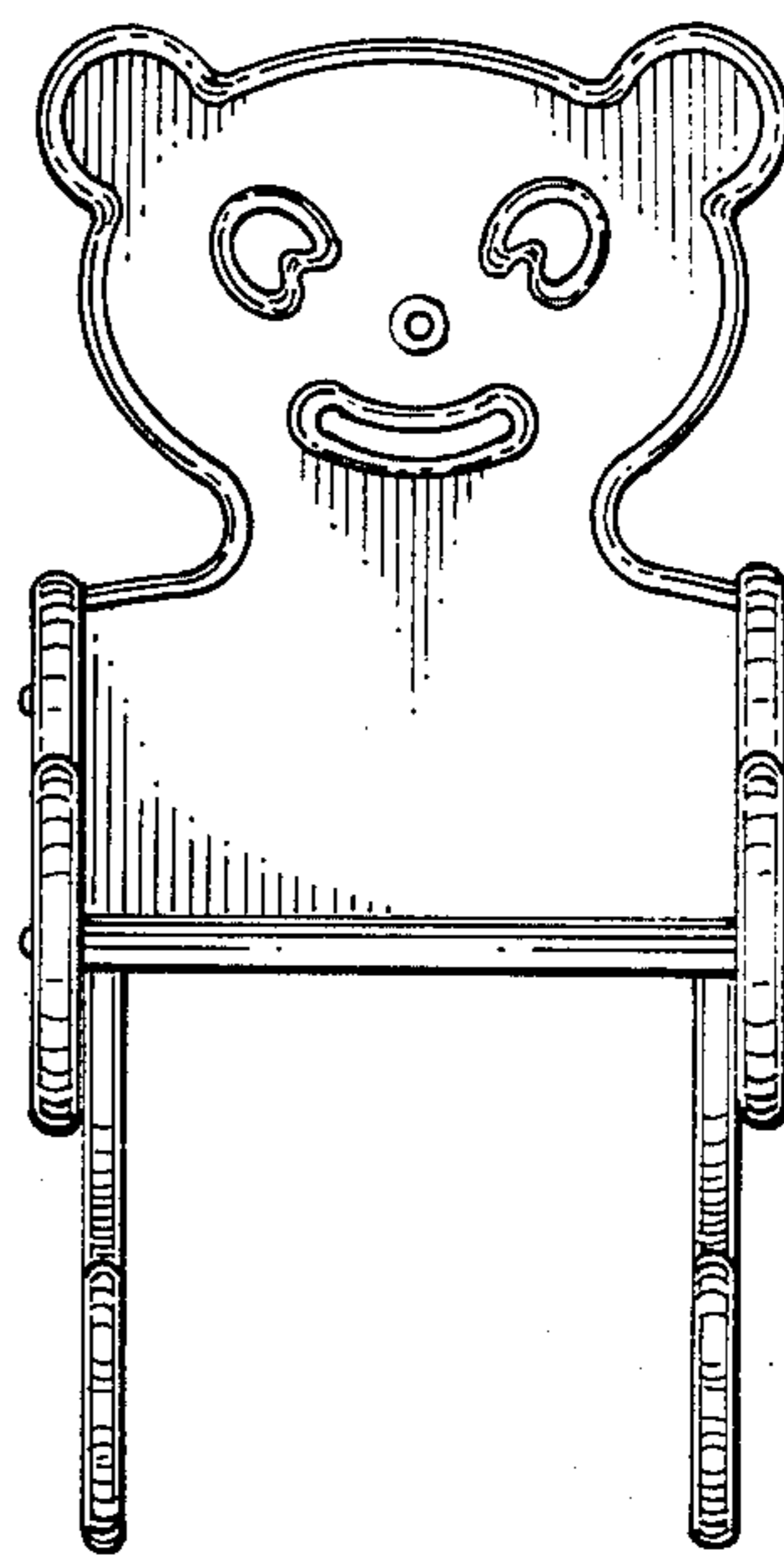
*Fig. 7*



*Fig. 8*



*Fig. 9*



*Fig. 10*