

[54] **TABLE MIRROR**

[75] **Inventor: Romain de Tirtoff-Erté,**  
Boulogne-sur Seine, France

[73] **Assignee: Con-Ker Fine Arts Ltd.,** New York,  
N.Y.

[\*\*] **Term: 14 Years**

[21] **Appl. No.: 793,744**

[22] **Filed: Oct. 29, 1985**

[52] **U.S. Cl. .... D6/303**

[58] **Field of Search ..... D6/300, 303, 310;**  
40/152.1; D11/160, 136, 137

[56] **References Cited**

**U.S. PATENT DOCUMENTS**

D. 263,542 3/1982 Lenger, Jr. .... D6/310

*Primary Examiner*—Bernard Ansher  
*Assistant Examiner*—Terry Pfeffer  
*Attorney, Agent, or Firm*—Rosen, Dainow & Jacobs

[57] **CLAIM**

The ornamental design for a table mirror, as shown and described.

**DESCRIPTION**

FIG. 1 is a perspective view of a table mirror showing my new design;

FIG. 2 is a top plan view thereof;

FIG. 3 is a left side elevational view thereof;

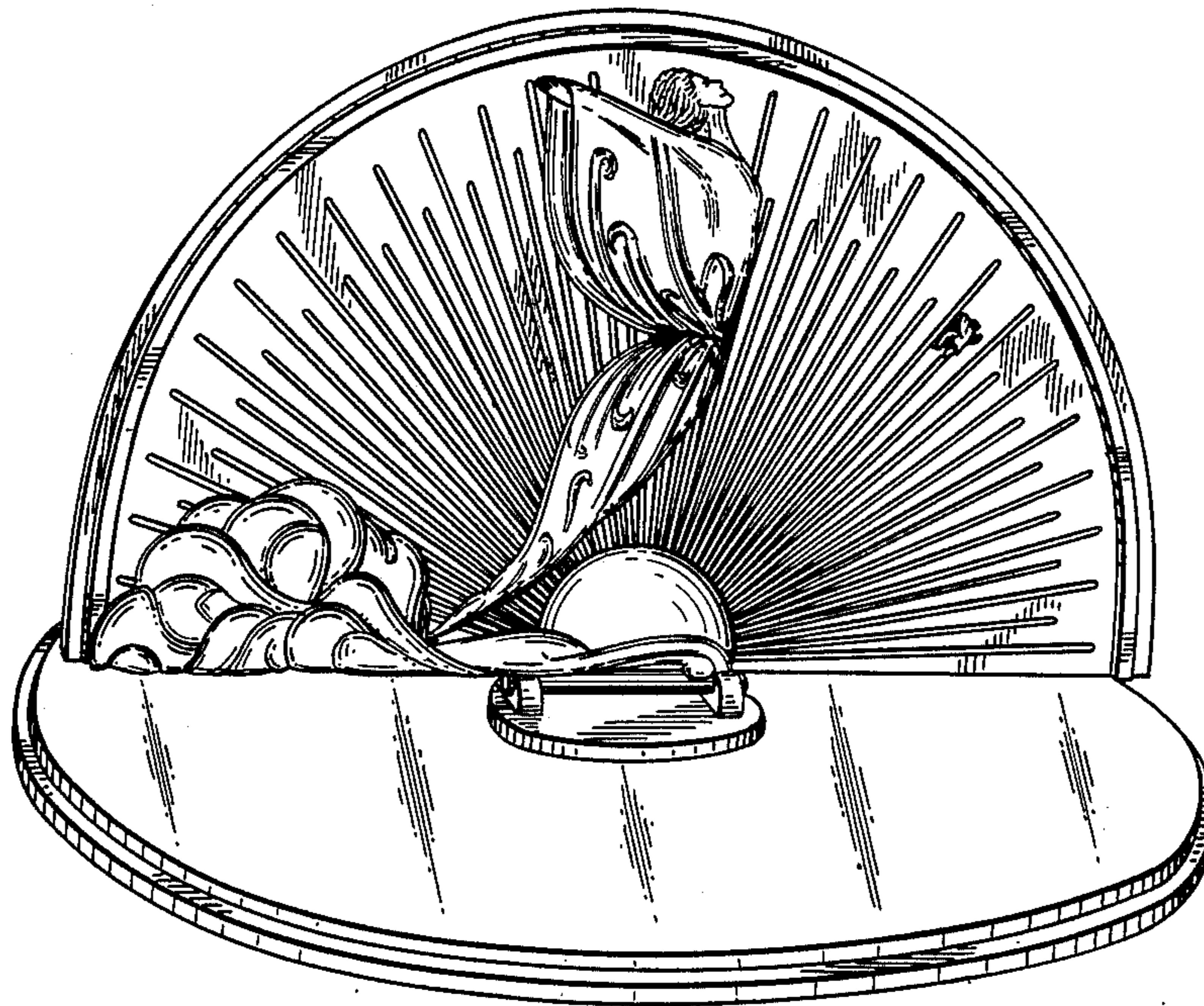
FIG. 4 is a right side elevational view thereof;

FIG. 5 is a rear elevational view thereof;

FIG. 6 is a bottom plan view thereof;

FIG. 7 is a left side elevational view thereof, the mirror shown tilted; and,

FIG. 8 is a right side elevational view thereof, the mirror shown tilted.



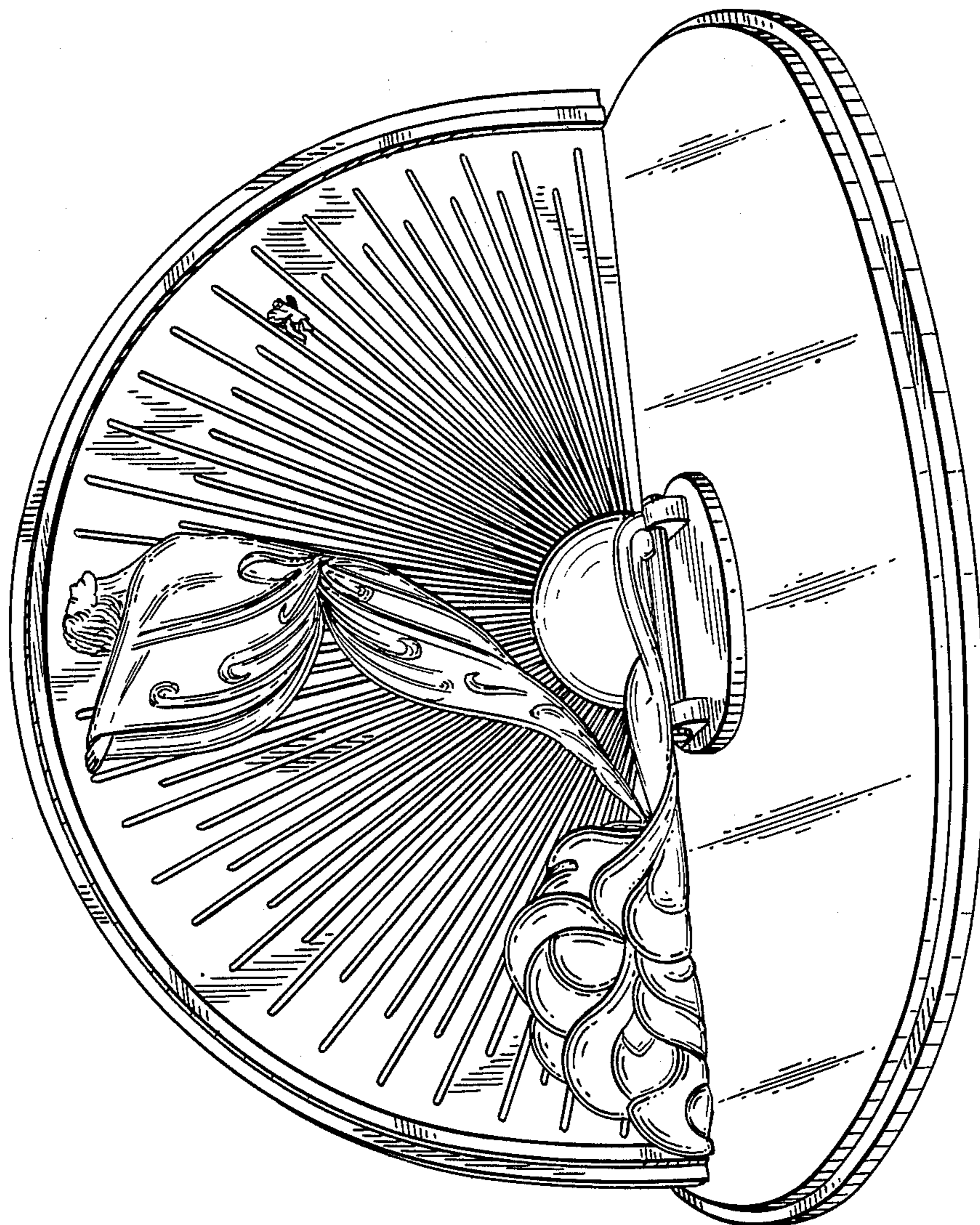


FIG. 1

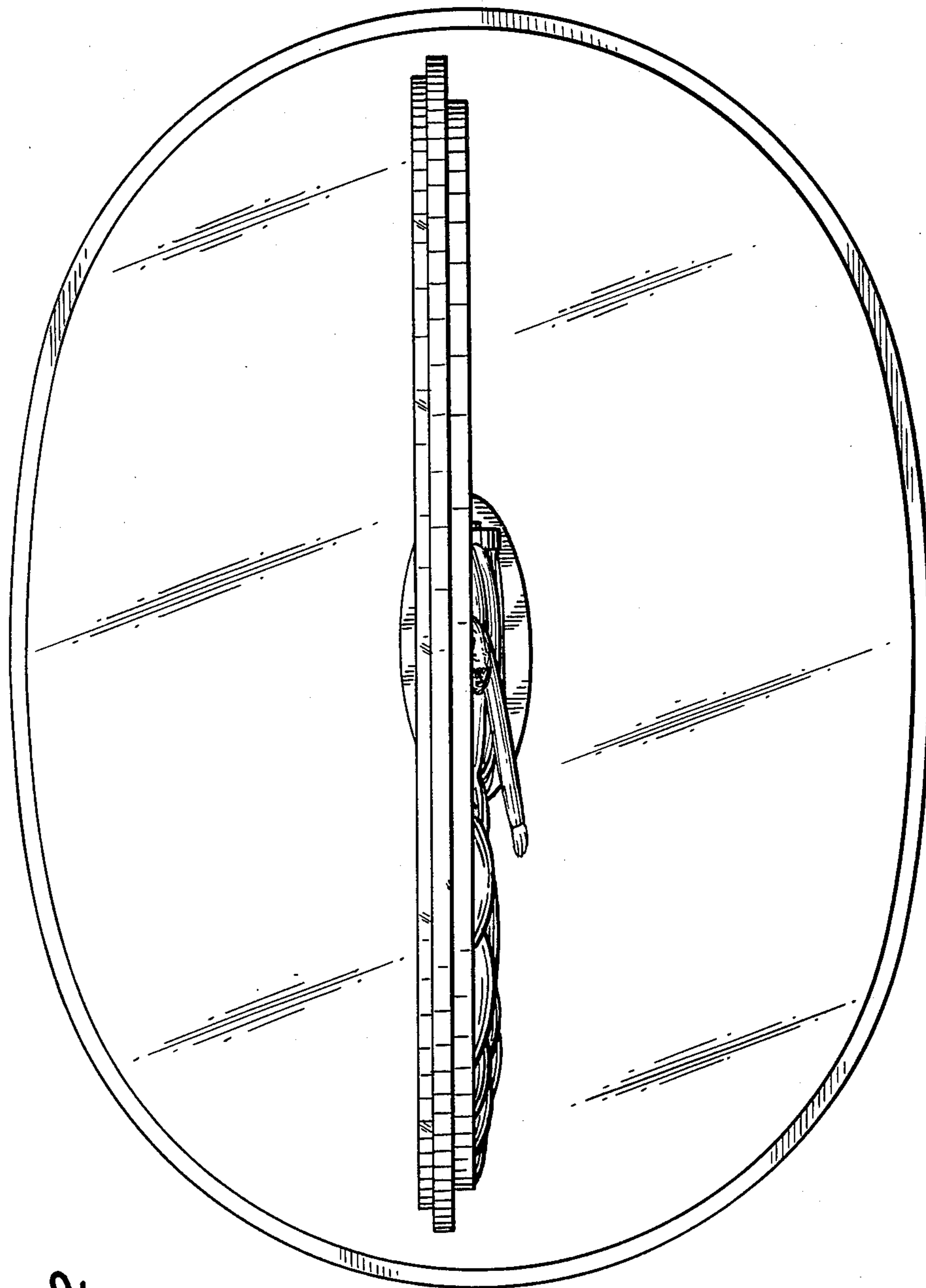
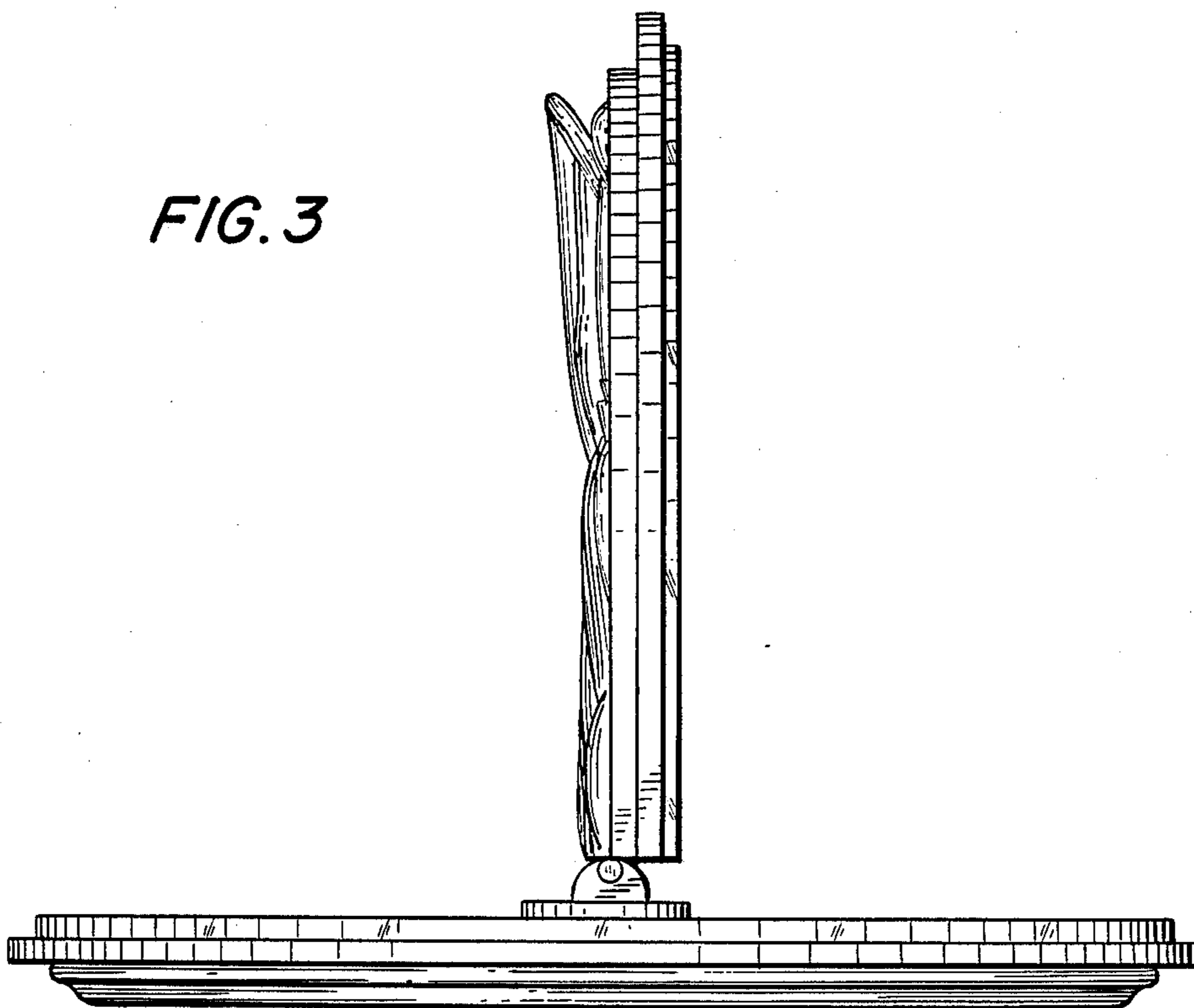


FIG. 2

*FIG. 3*



*FIG. 4*

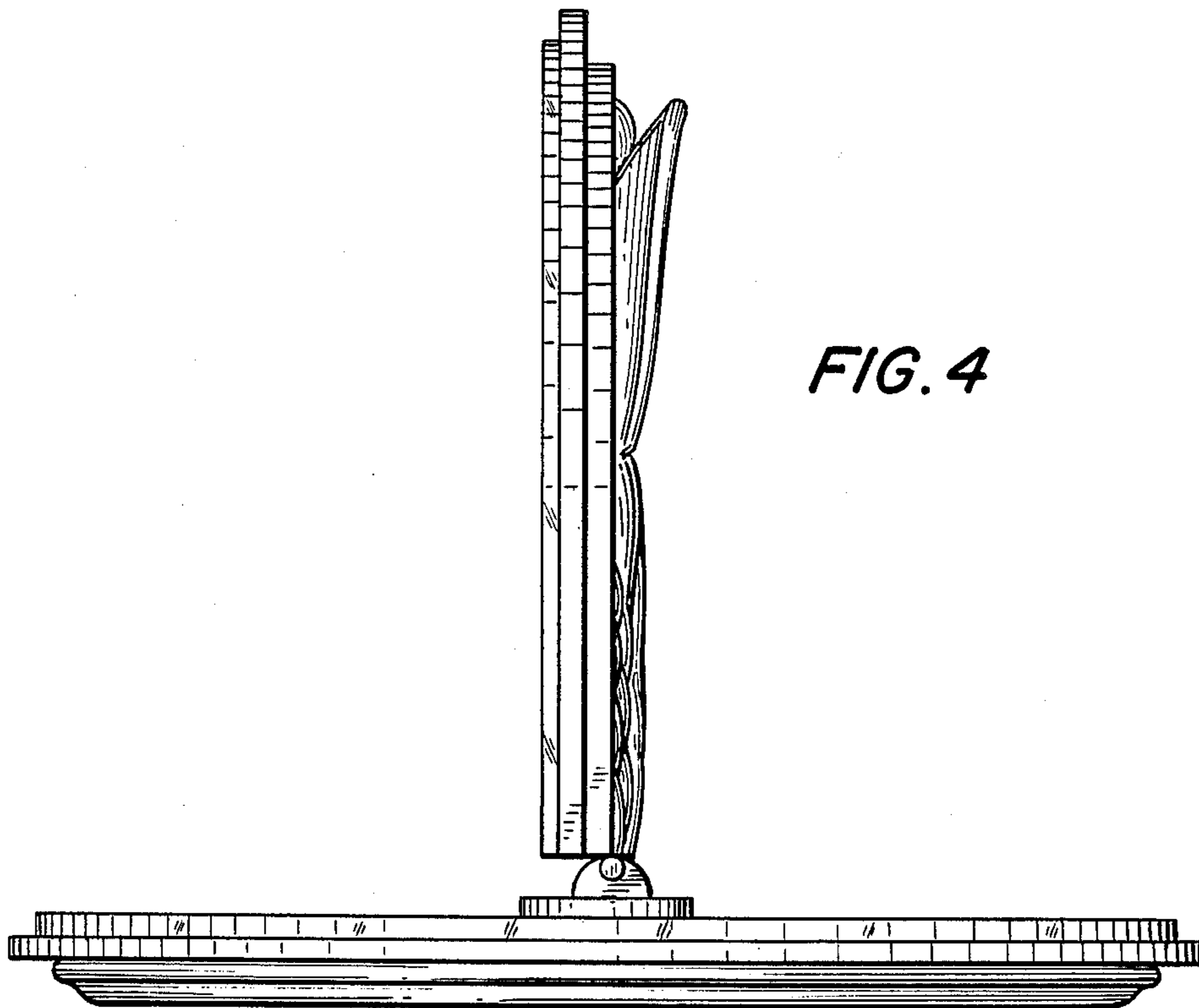
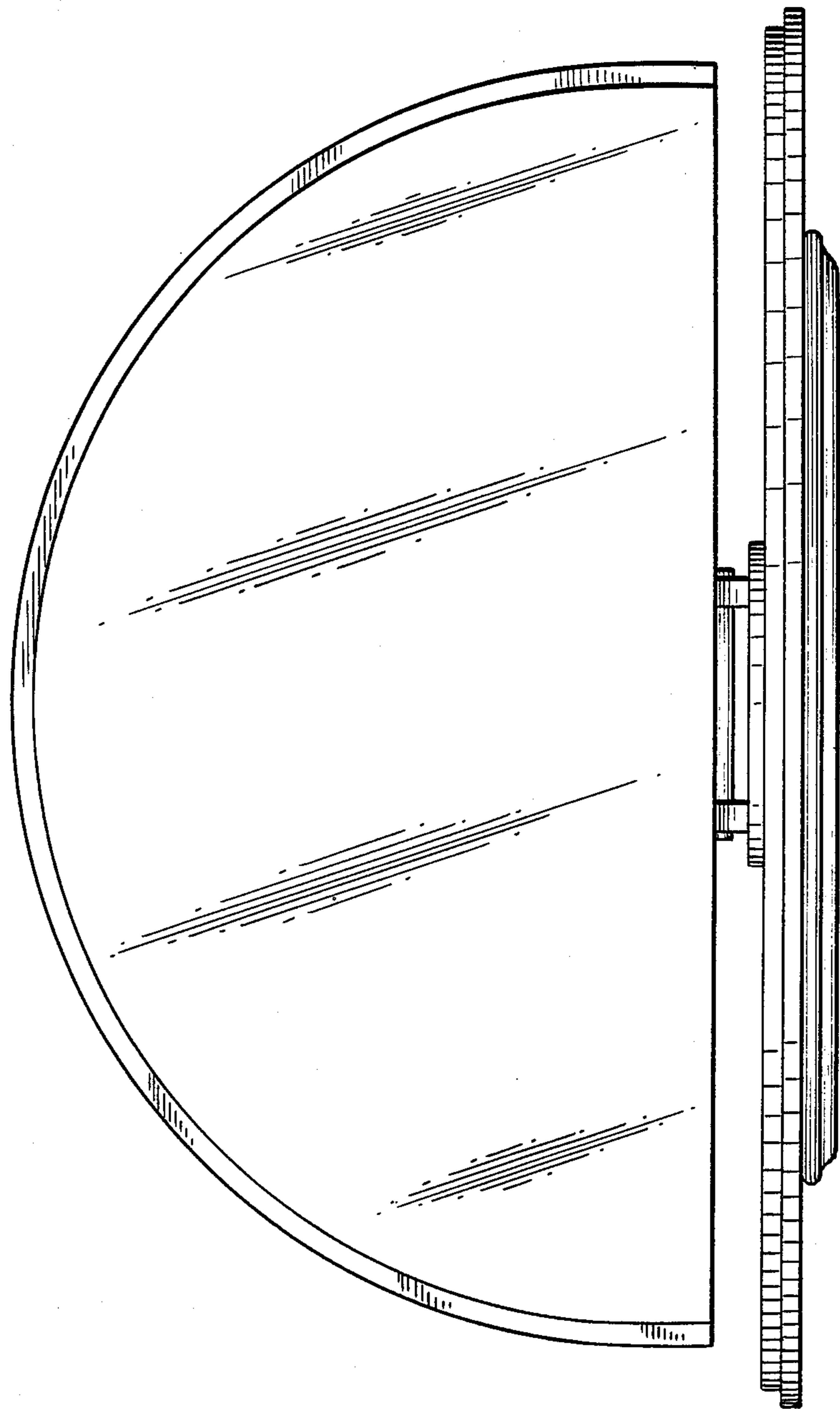


FIG. 5



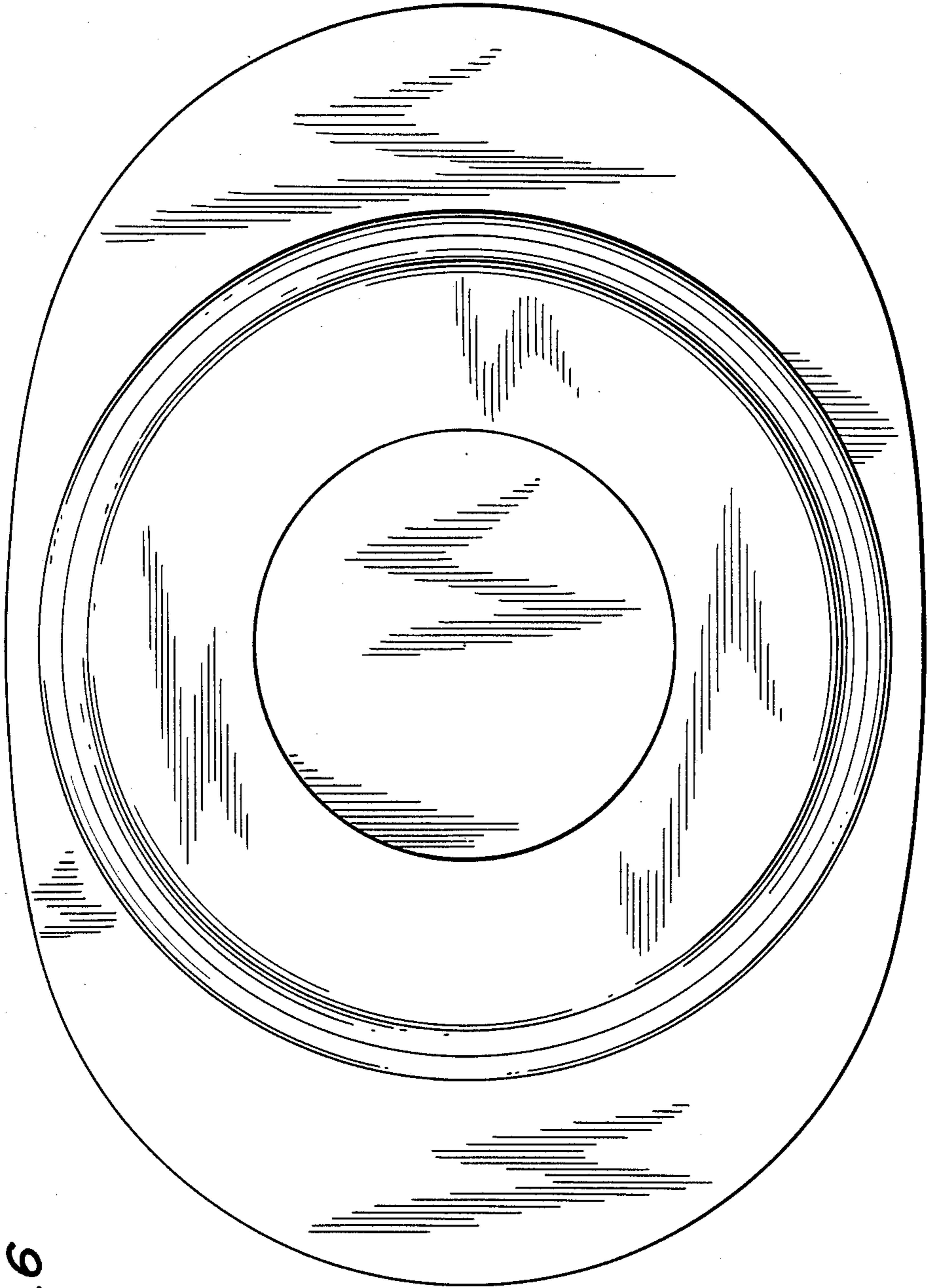
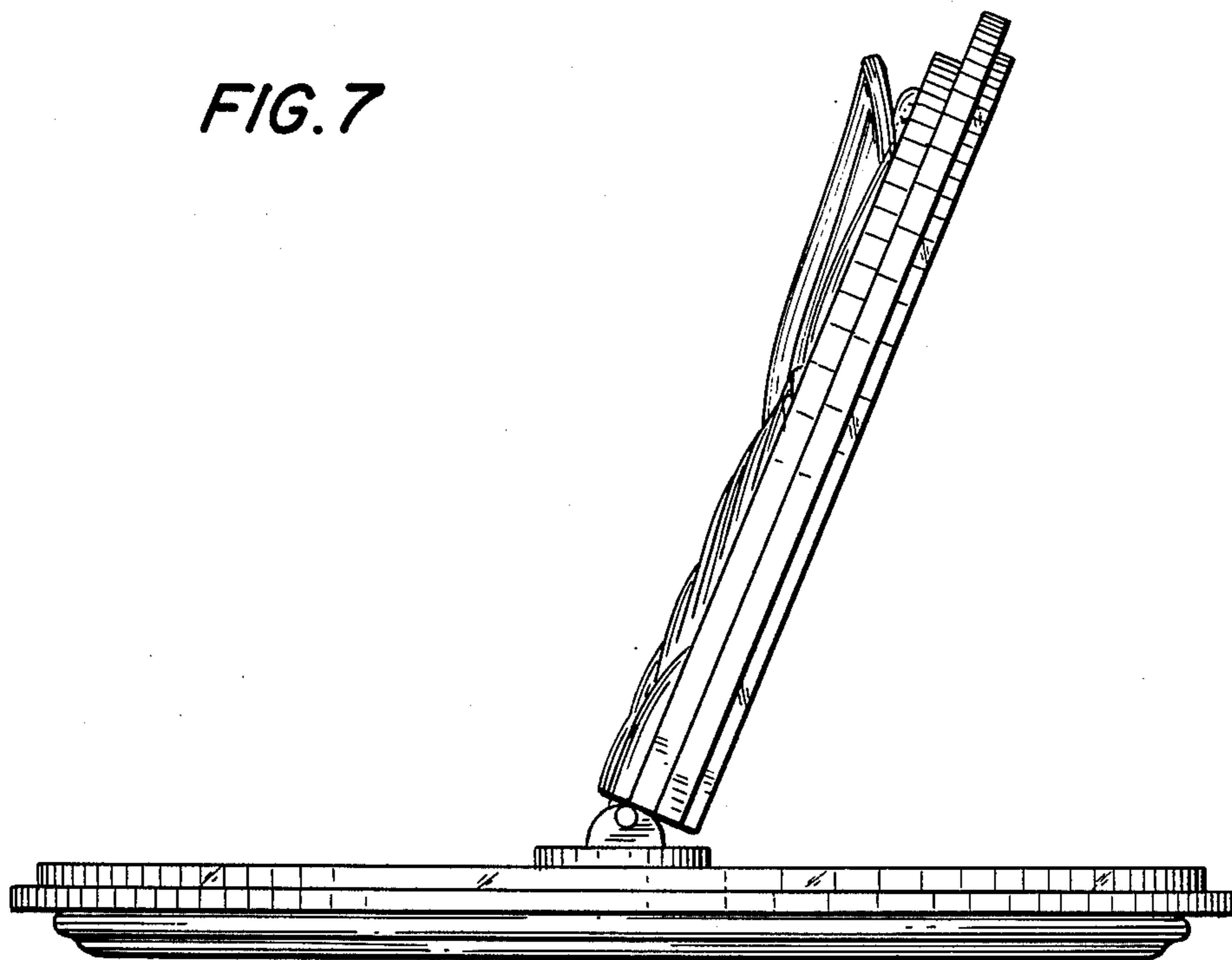


FIG. 6

*FIG. 7*



*FIG. 8*

