

[54] **STREET SWEEPER**

[75] Inventor: Åke Linde, Tollarp, Sweden
[73] Assignee: EC Maskin AB, Malmo, Sweden
[**] Term: 14 Years
[21] Appl. No.: 753,163
[22] Filed: Jul. 9, 1985
[52] U.S. Cl. D32/19
[58] Field of Search D32/15, 19-20;
15/79 A, 82, 83, 21 E, 320

[56]

References Cited

U.S. PATENT DOCUMENTS

1,393,640	10/1921	Pontaleone et al.	15/82
2,145,738	1/1939	Sandberg	15/82
3,493,987	2/1970	Longnecker	15/83
3,746,099	7/1973	Black	15/83
4,001,908	1/1977	Franklin	15/83

FOREIGN PATENT DOCUMENTS

1283362 7/1972 United Kingdom 15/82

Primary Examiner—Wallace R. Burke
Assistant Examiner—Ruth Takemoto
Attorney, Agent, or Firm—Cushman, Darby & Cushman

[57] **CLAIM**

The ornamental design for a street sweeper, as shown and described.

DESCRIPTION

FIG. 1 is a top, front and side perspective view of a street sweeper showing my new design; FIG. 2 is a rear perspective view thereof; FIG. 3 is a right side perspective view thereof; and, FIG. 4 is a top, front and left side perspective view thereof.

The street sweeper is shown without the shovel in FIGS. 3 and 4 for clarity of illustration.

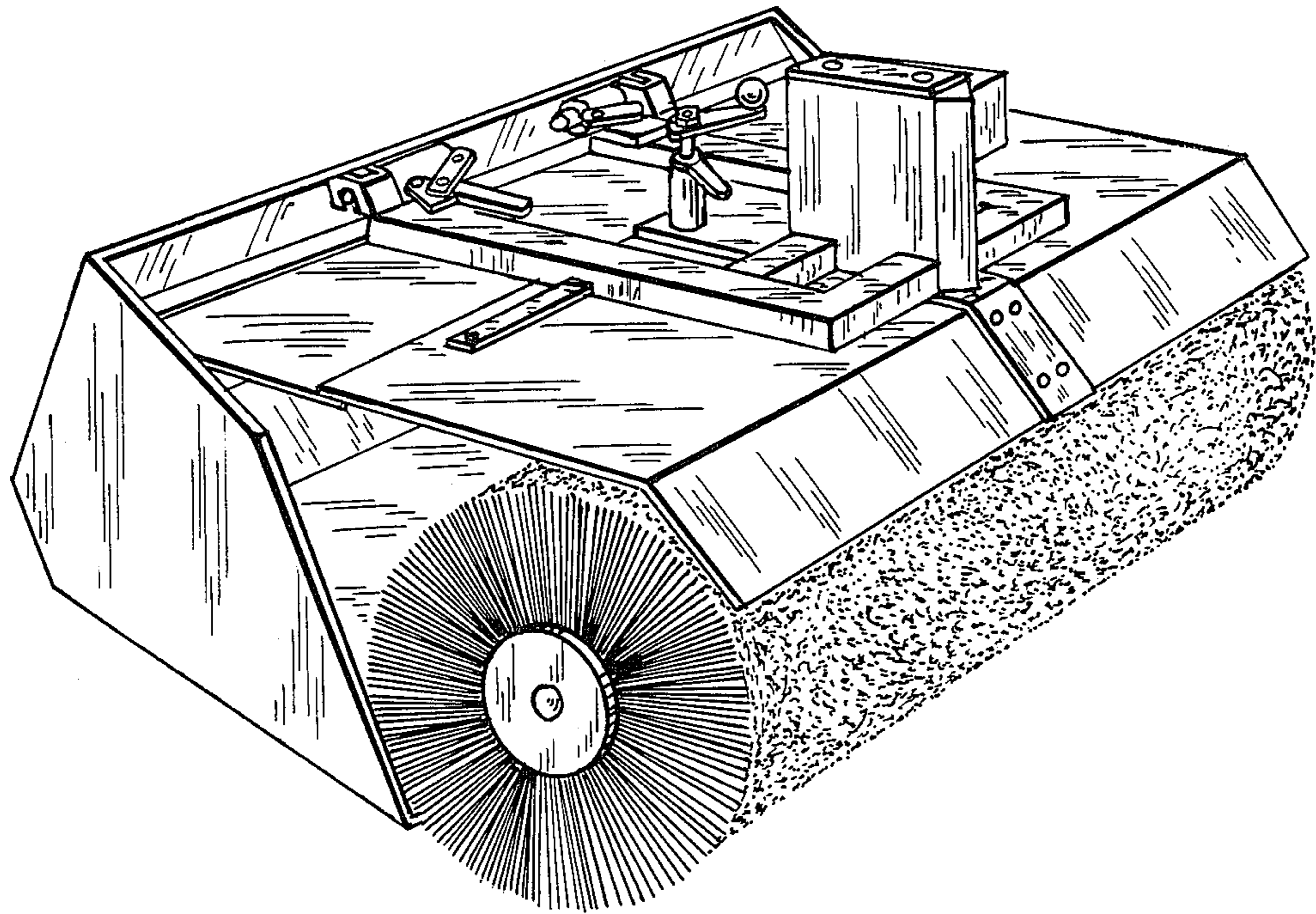


Fig. 1.

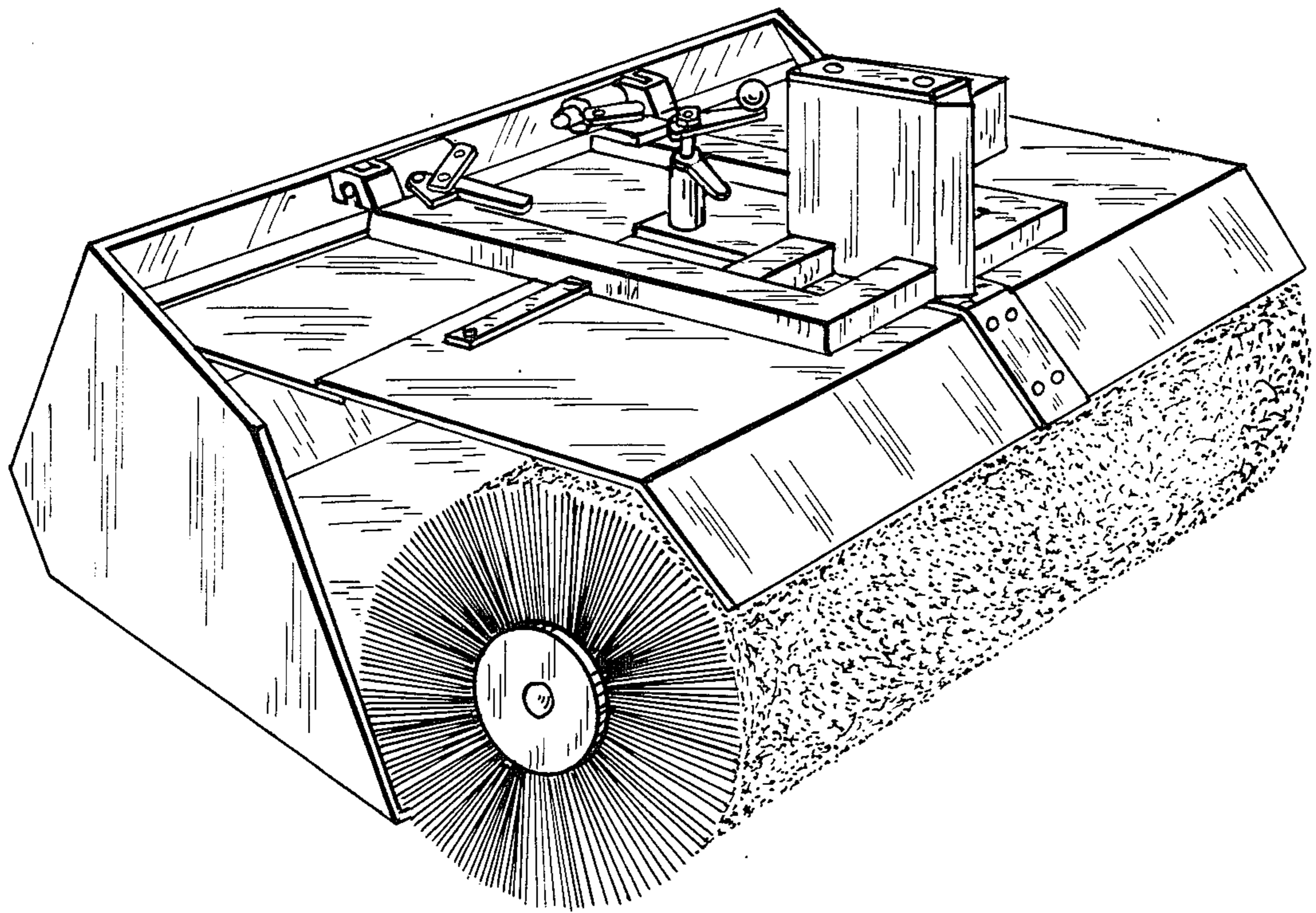


Fig. 2.

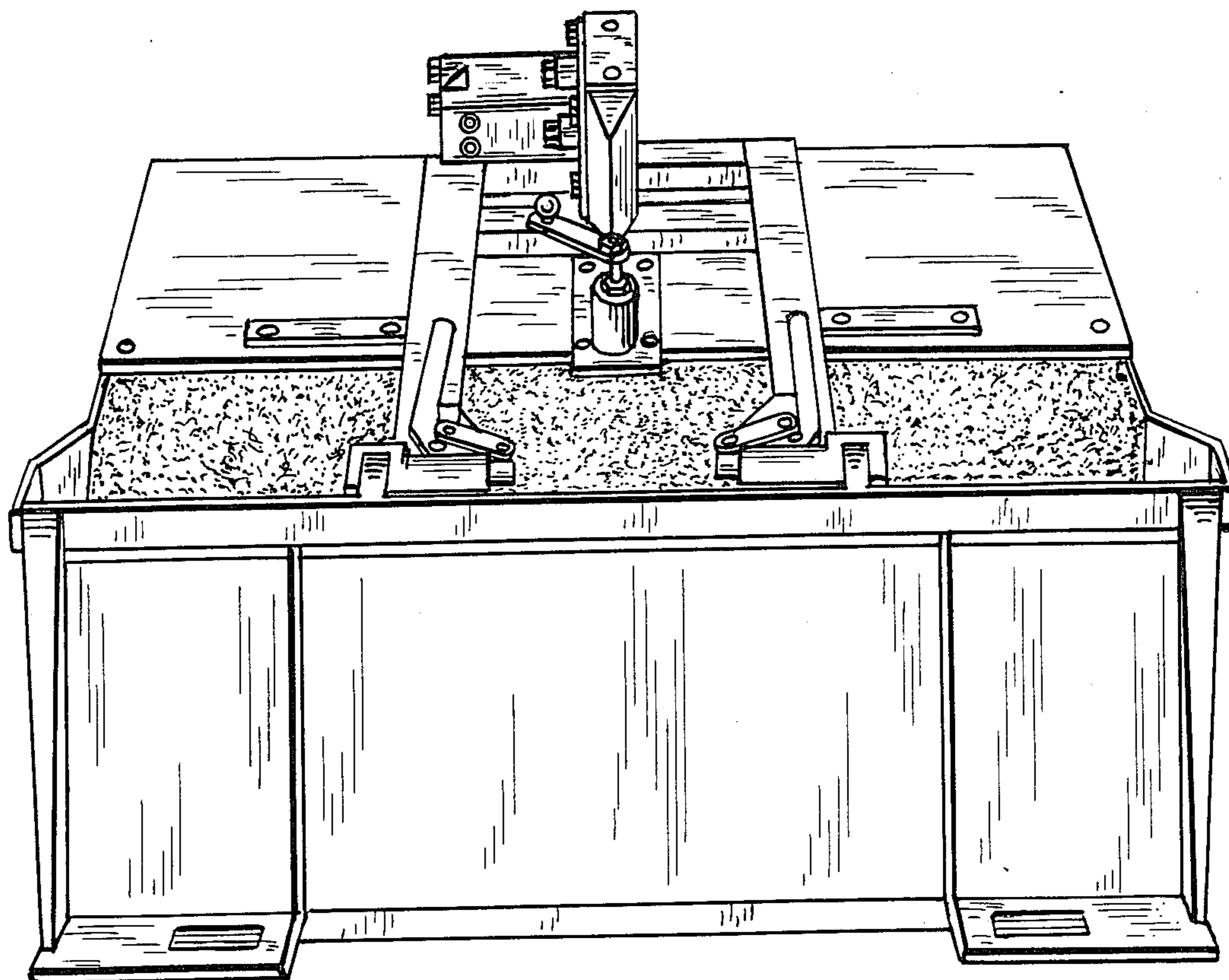


Fig. 3.

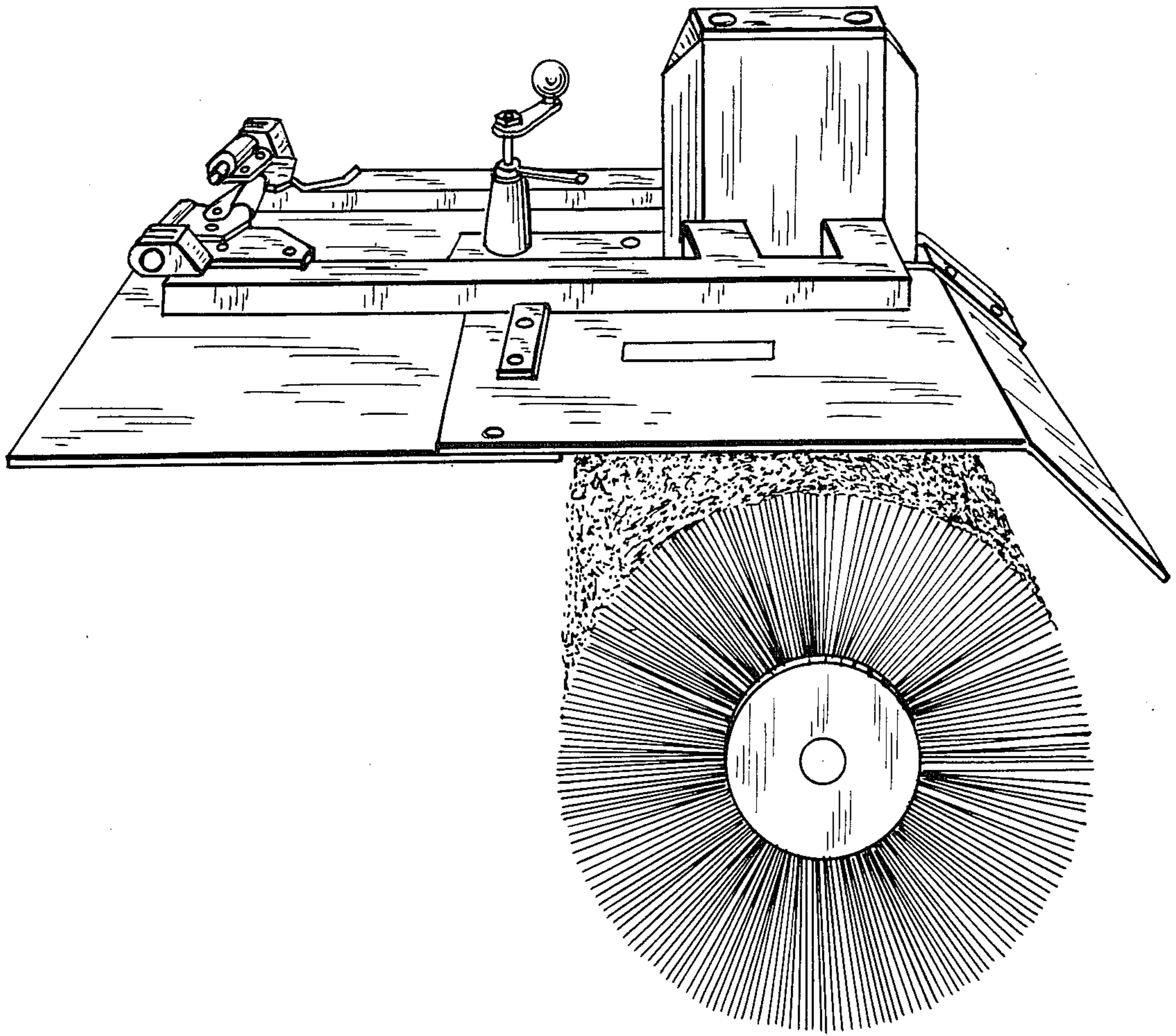


Fig. 4.

