

[54] SWEEPING MACHINE

[75] Inventor: Lars Lallerstedt, Stockholm, Sweden

[73] Assignee: Stiga Aktiebolag, Tranas, Sweden

[\*\*] Term: 14 Years

[21] Appl. No.: 911,203

[22] Filed: Sep. 25, 1986

[30] Foreign Application Priority Data

Mar. 25, 1986 [SE] Sweden ..... 86-0746

[52] U.S. Cl. .... D32/15

[58] Field of Search ..... D32/15-16,  
D32/19-20, 25; 15/28, 82, 87, 179-180, 230,  
230.11, 230.15, 230.17, 230.18, 230.19, 79 A, 23,  
49 R, 49 C, 50 C, 23

[56] References Cited

U.S. PATENT DOCUMENTS

D. 193,384	8/1962	Regan .....	D32/15
D. 219,348	12/1970	Anderson .....	D32/15
D. 249,692	9/1978	Bothun .....	D32/19
4,366,593	1/1983	Parikh .....	15/49 R

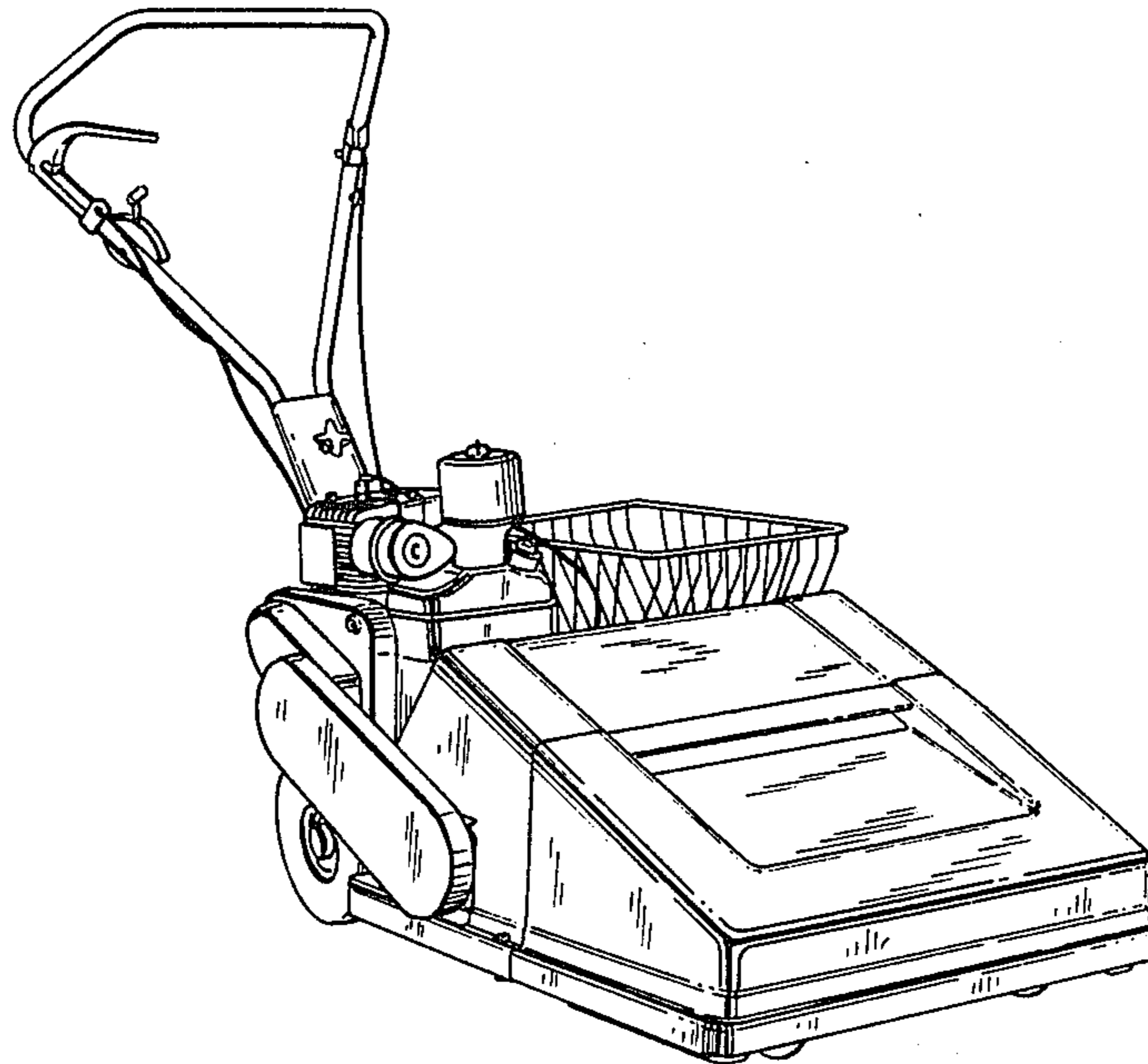
Primary Examiner—Wallace R. Burke  
Assistant Examiner—Ruth Takemoto  
Attorney, Agent, or Firm—Murray and Whisenhunt

[57] CLAIM

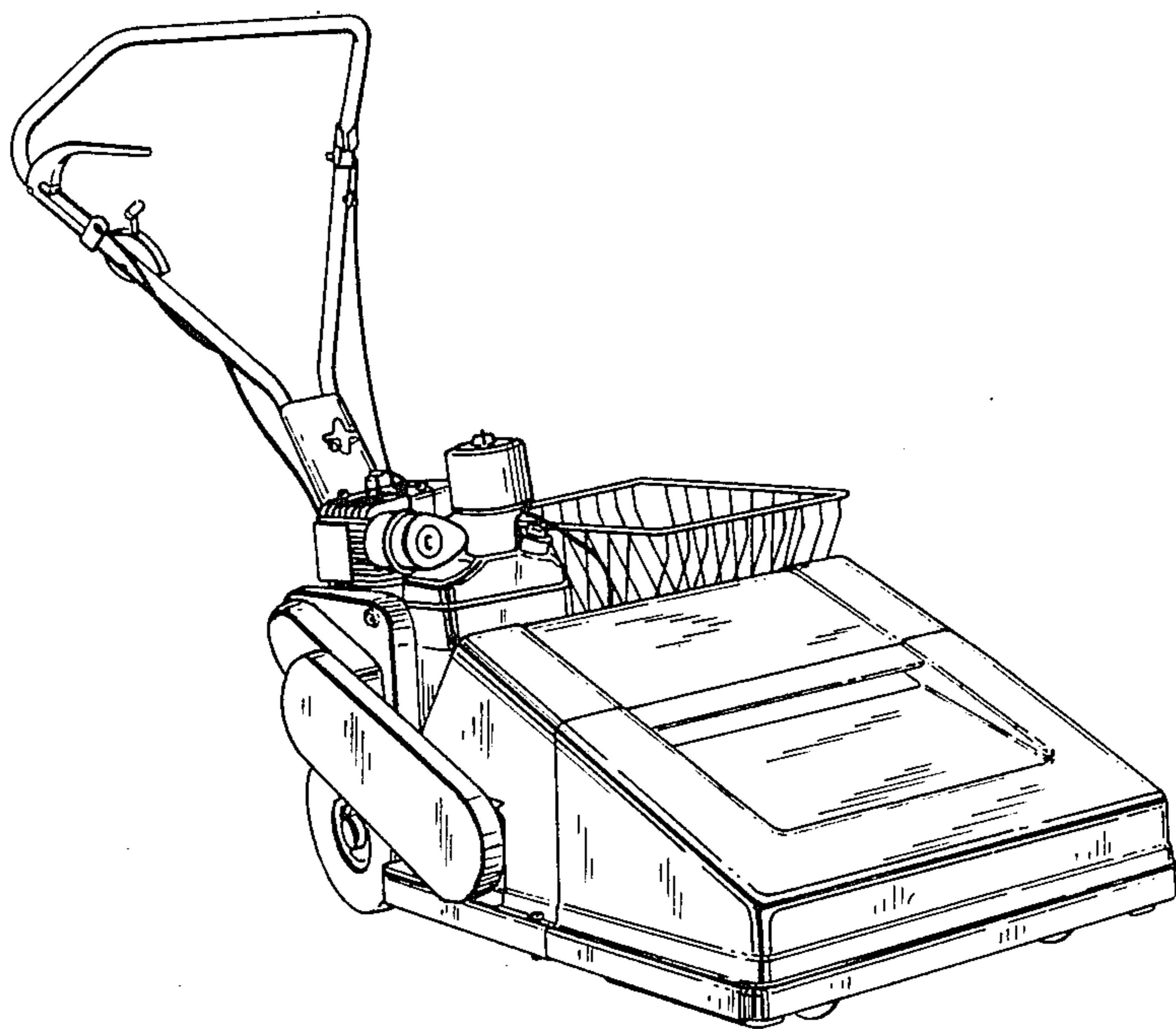
The ornamental design for a sweeping machine, as shown.

DESCRIPTION

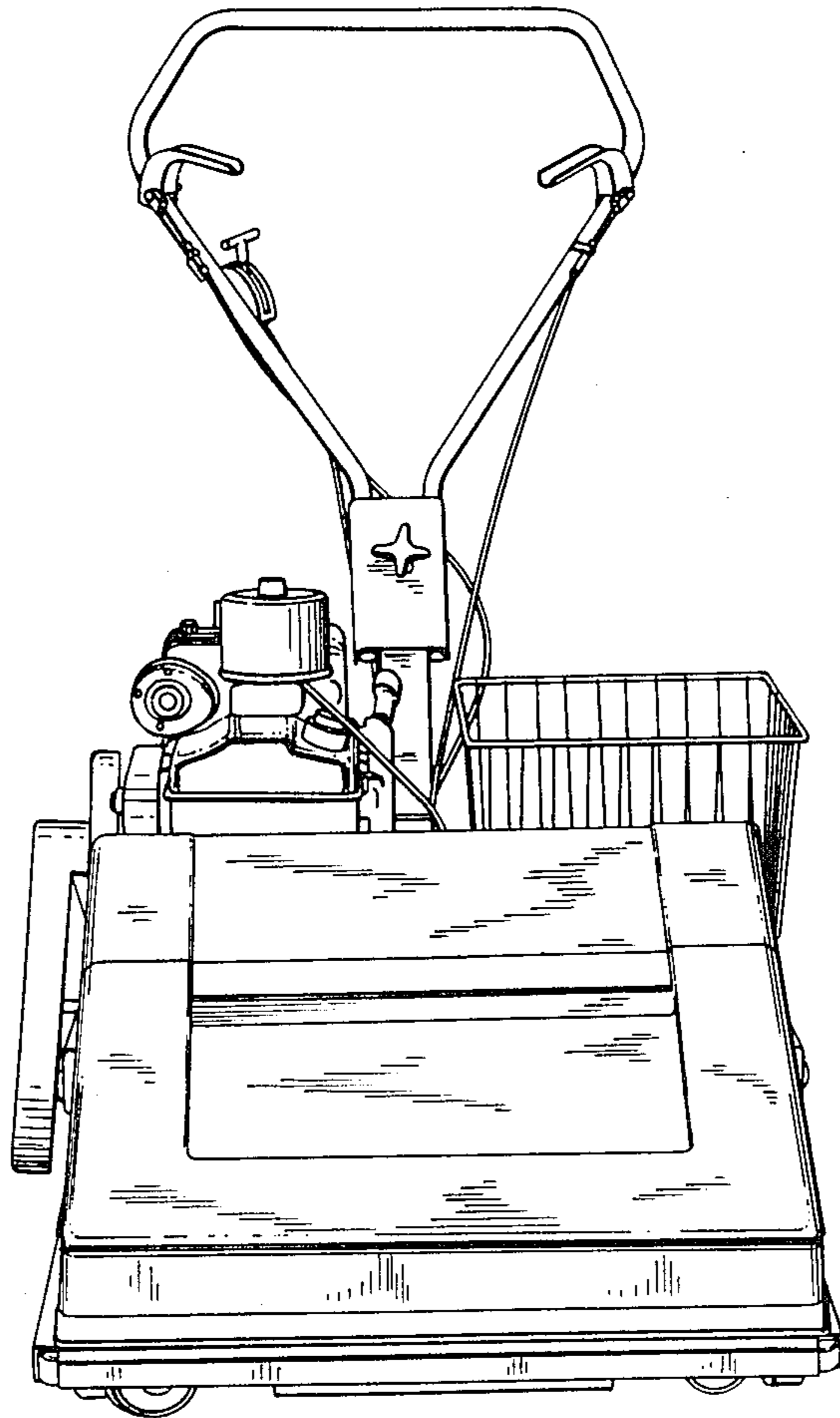
FIG. 1 is a top, front and right side perspective view of a sweeping machine showing my new design; FIG. 2 is a front elevational view thereof; FIG. 3 is a left side elevational view thereof; and FIG. 4 is a rear elevational view thereof.



*Fig. 1.*



*Fig. 2.*



*Fig. 3.*

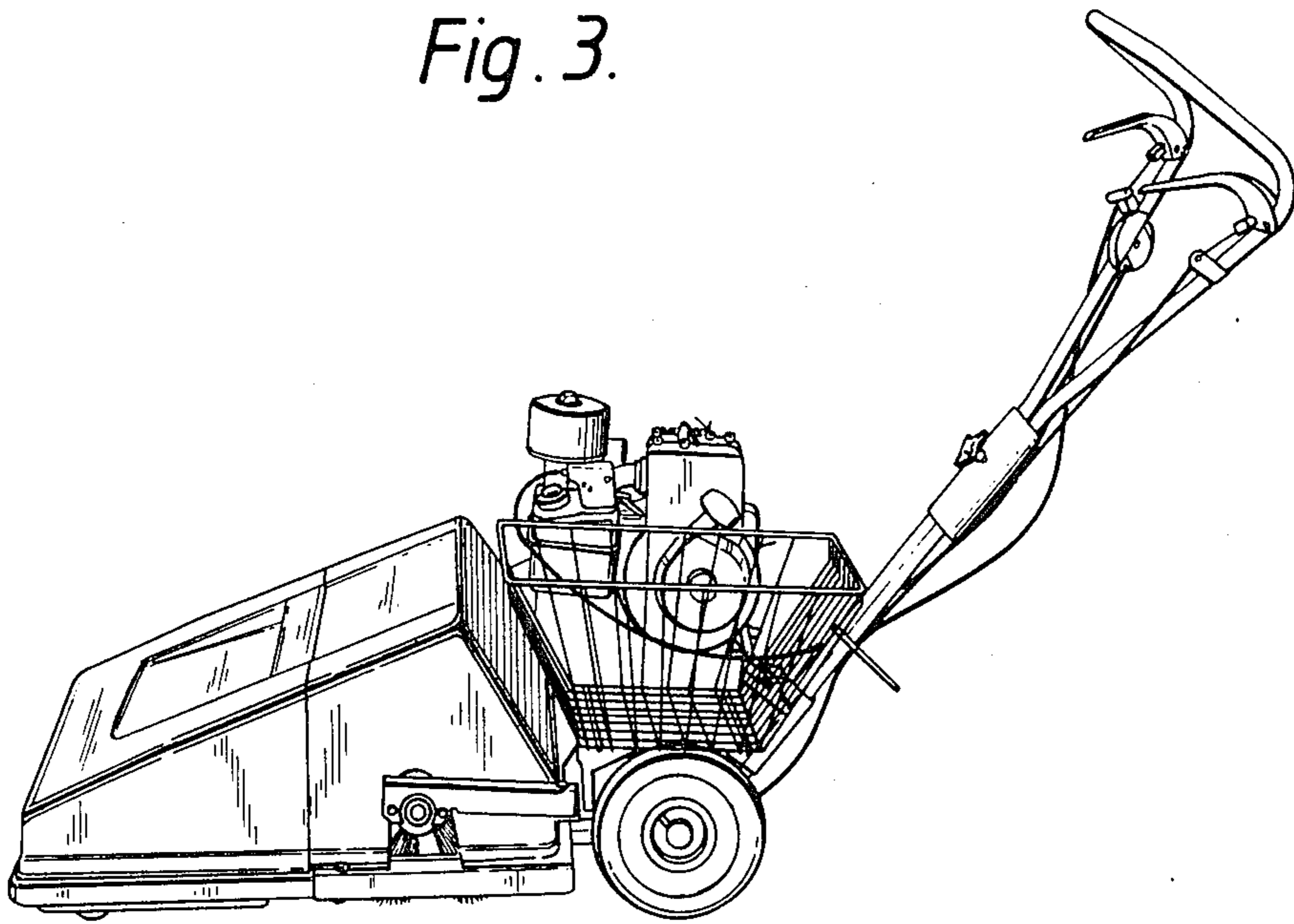


Fig. 4.

