

[54] DUAL CONTAINER FOR COSMETICS AND SUNDRIES

[76] Inventor: Howard Sussman, 1079 Hillsboro Mile, Hillsboro, Fla. 33062

[**] Term: 14 Years

[21] Appl. No.: 864,886

[22] Filed: May 19, 1986

[52] U.S. Cl. D28/76; D28/86

[58] Field of Search D28/4-9, D28/38, 61, 73-91.1; D3/39; D9/337, 341, 349, 352, 353, 377, 420; 132/1 R, 79 R-79 D, 79 F, 79 G, DIG. 2; 220/DIG. 20; 206/235, 385, 581, 823

[56] References Cited

U.S. PATENT DOCUMENTS

D. 84,981 9/1931 Flintermann D28/86

D. 130,672 12/1941 Jones D28/86
D. 203,137 12/1965 Braun D9/420
D. 223,691 5/1972 Newman D9/353 X
D. 262,265 12/1981 Hadtke et al. D9/377
1,933,538 11/1933 Brazelton D28/86 X

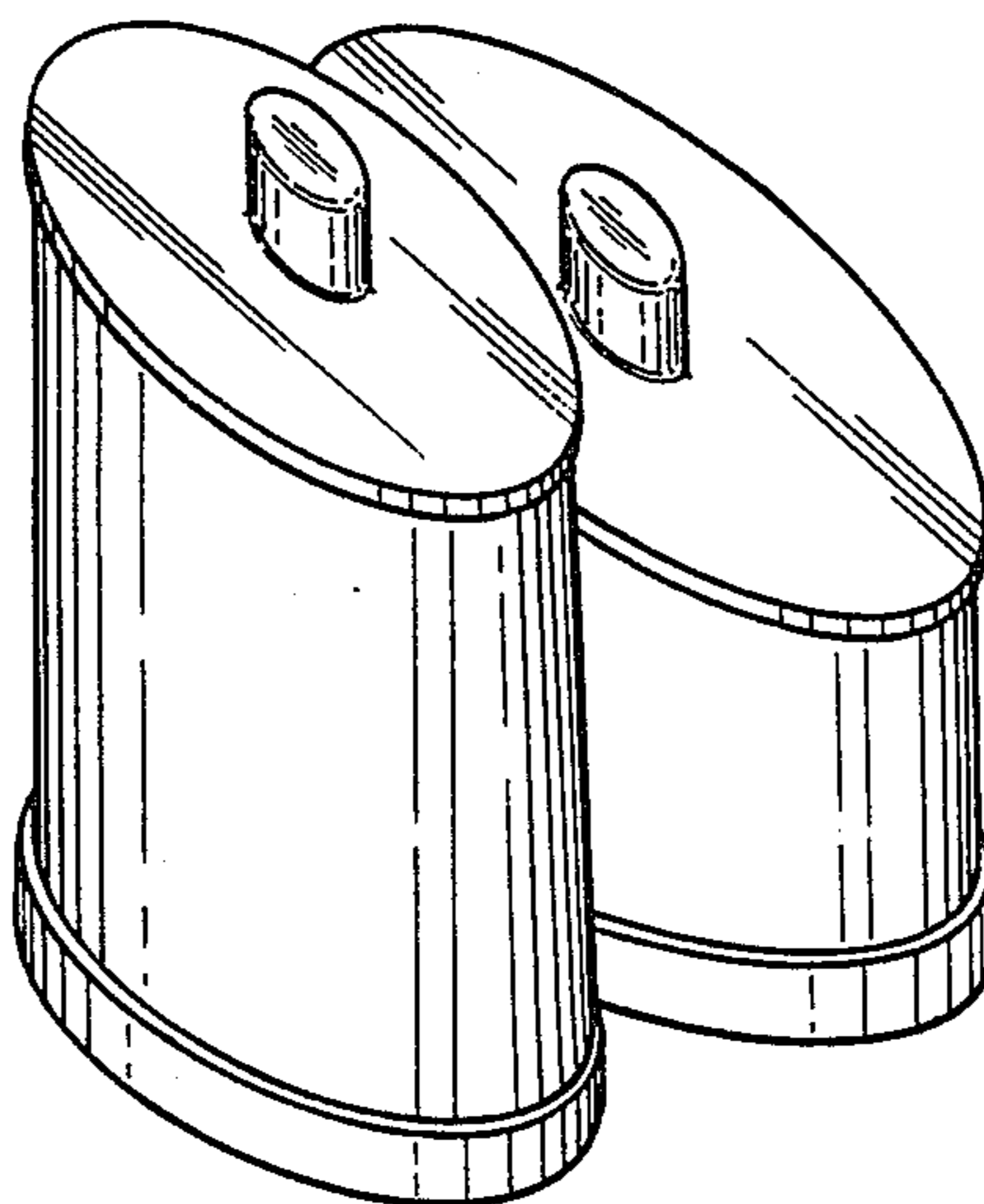
Primary Examiner—Louis S. Zarfes

[57] CLAIM

The ornamental design for containers for cosmetic and sundries, as shown and described.

DESCRIPTION

FIG. 1 is a left front isometric view of dual container for cosmetics and sundries showing my new design; FIG. 2 is a top plan view thereof; FIG. 3 is a front elevational view thereof; FIG. 4 is a left side elevational view thereof; FIG. 5 is a right side elevational view thereof; FIG. 6 is a bottom plan view thereof; and FIG. 7 is a rear elevational view thereof.



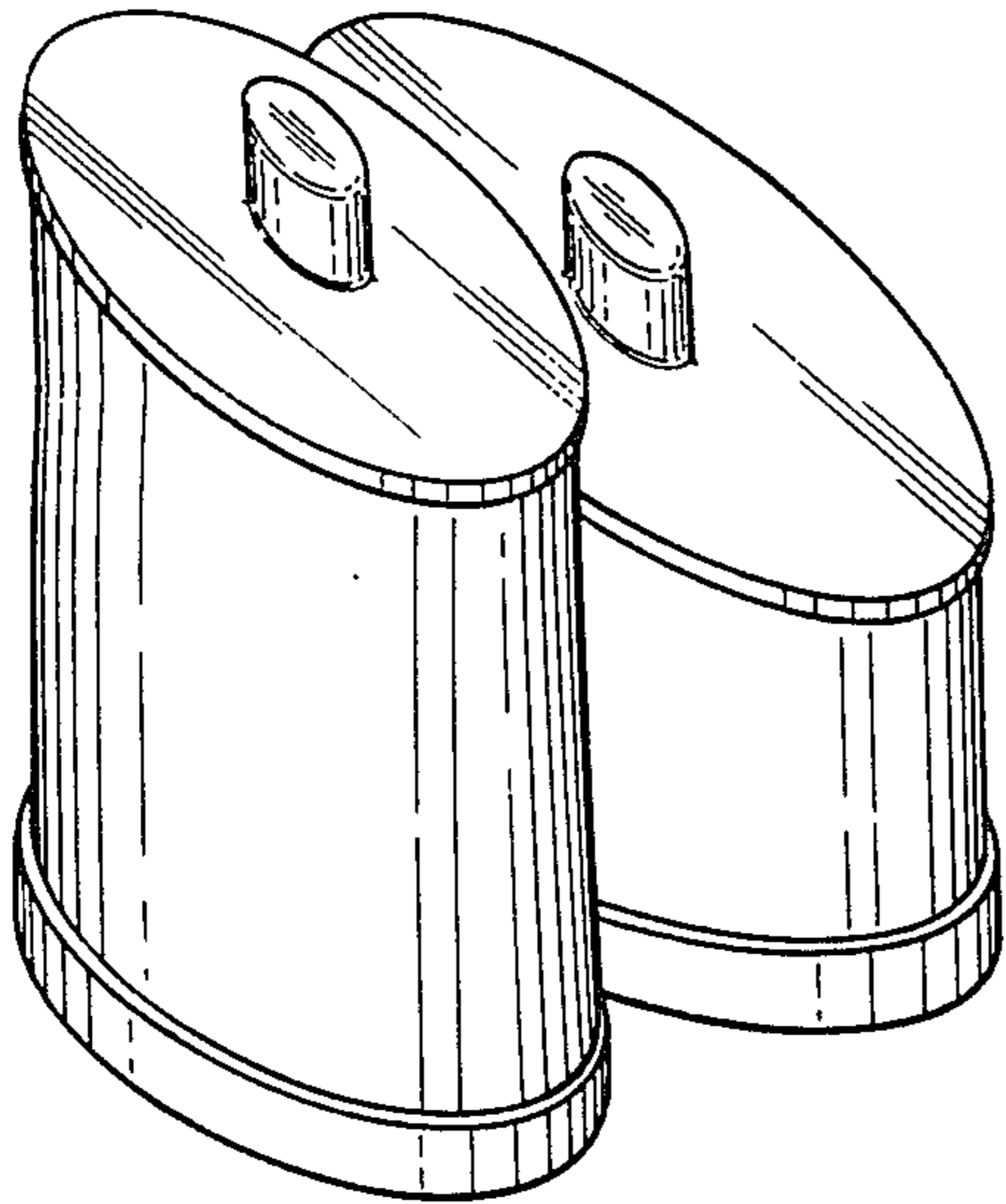


FIG. 1

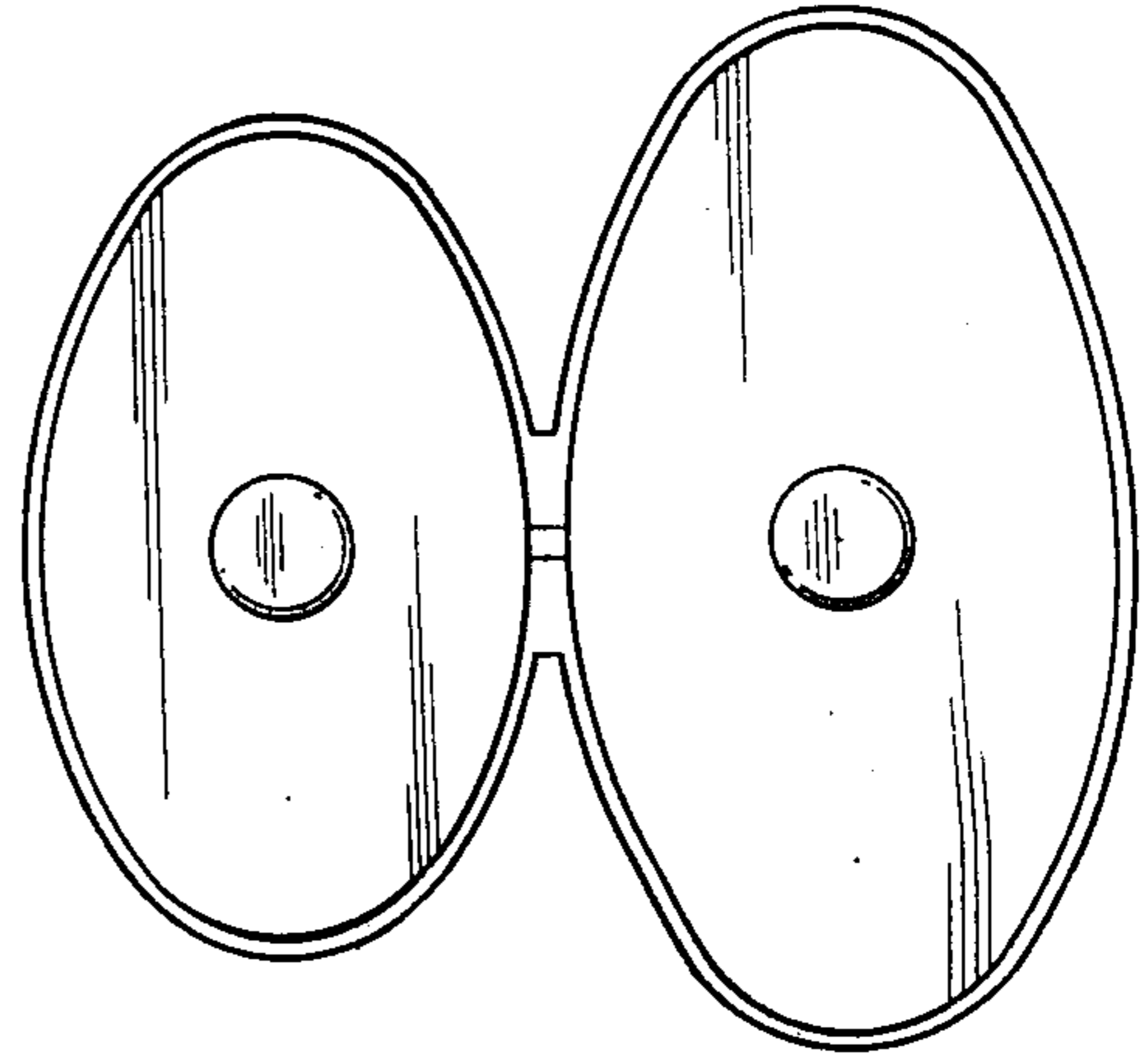


FIG. 2

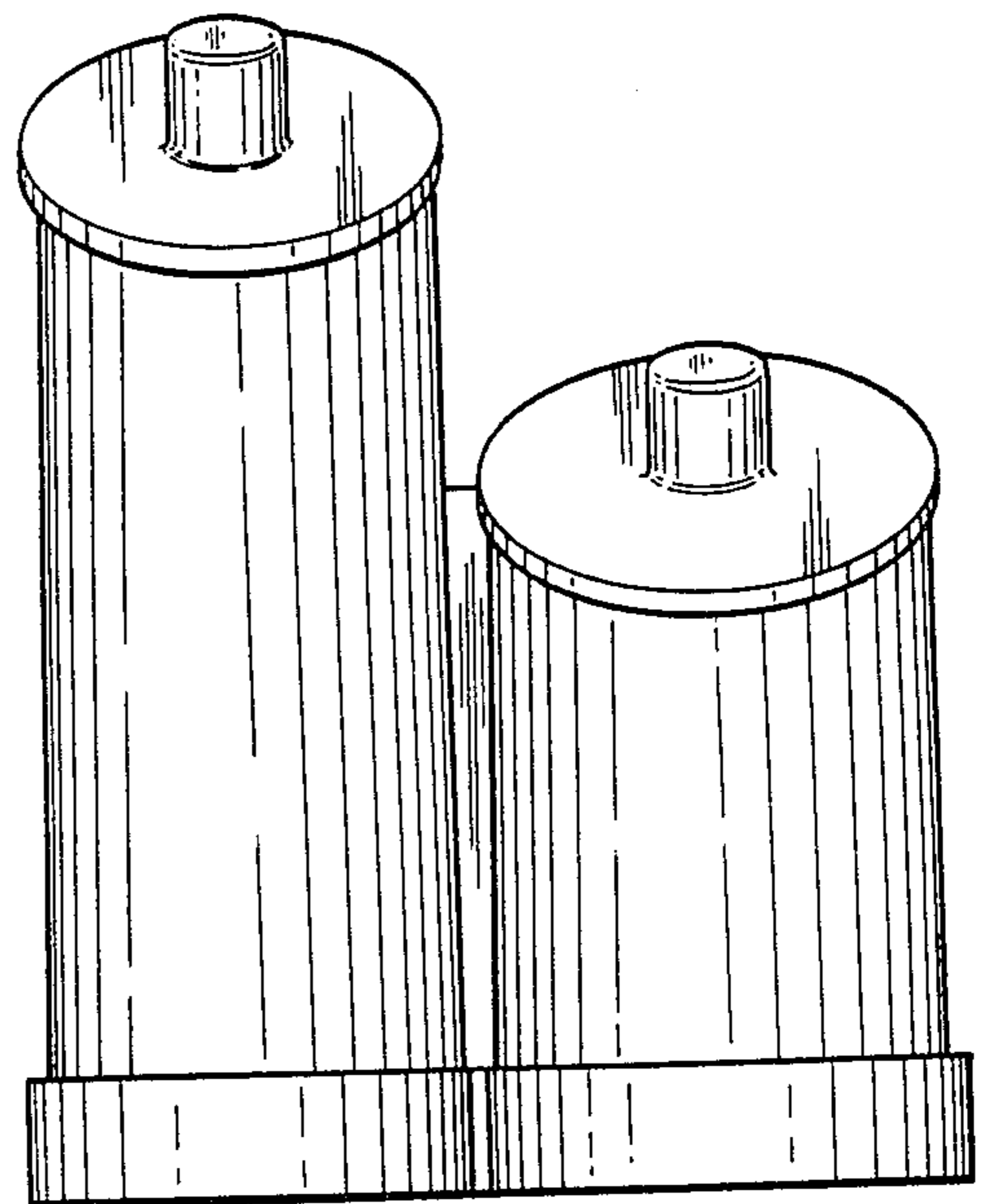


FIG. 3

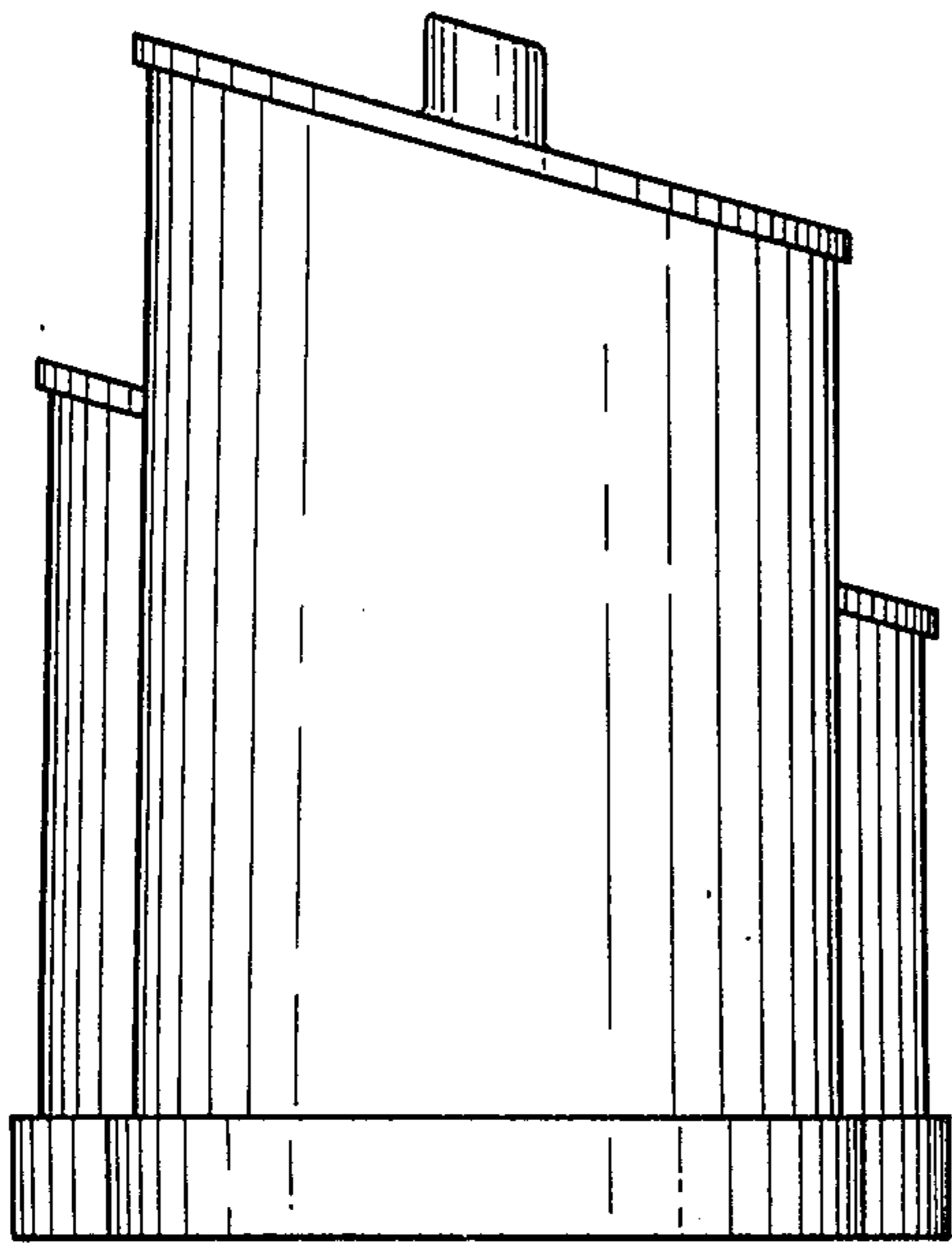


FIG. 4

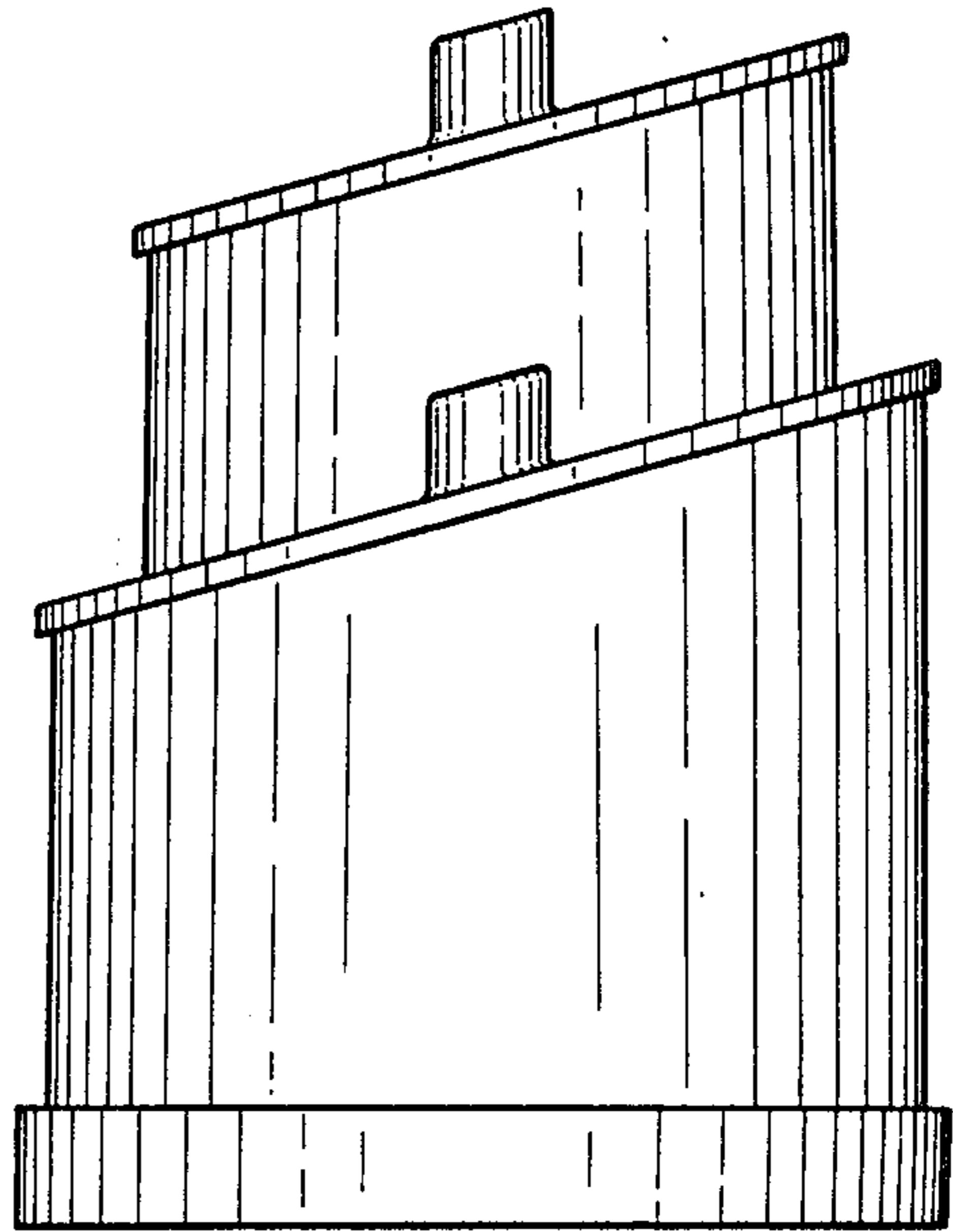


FIG. 5

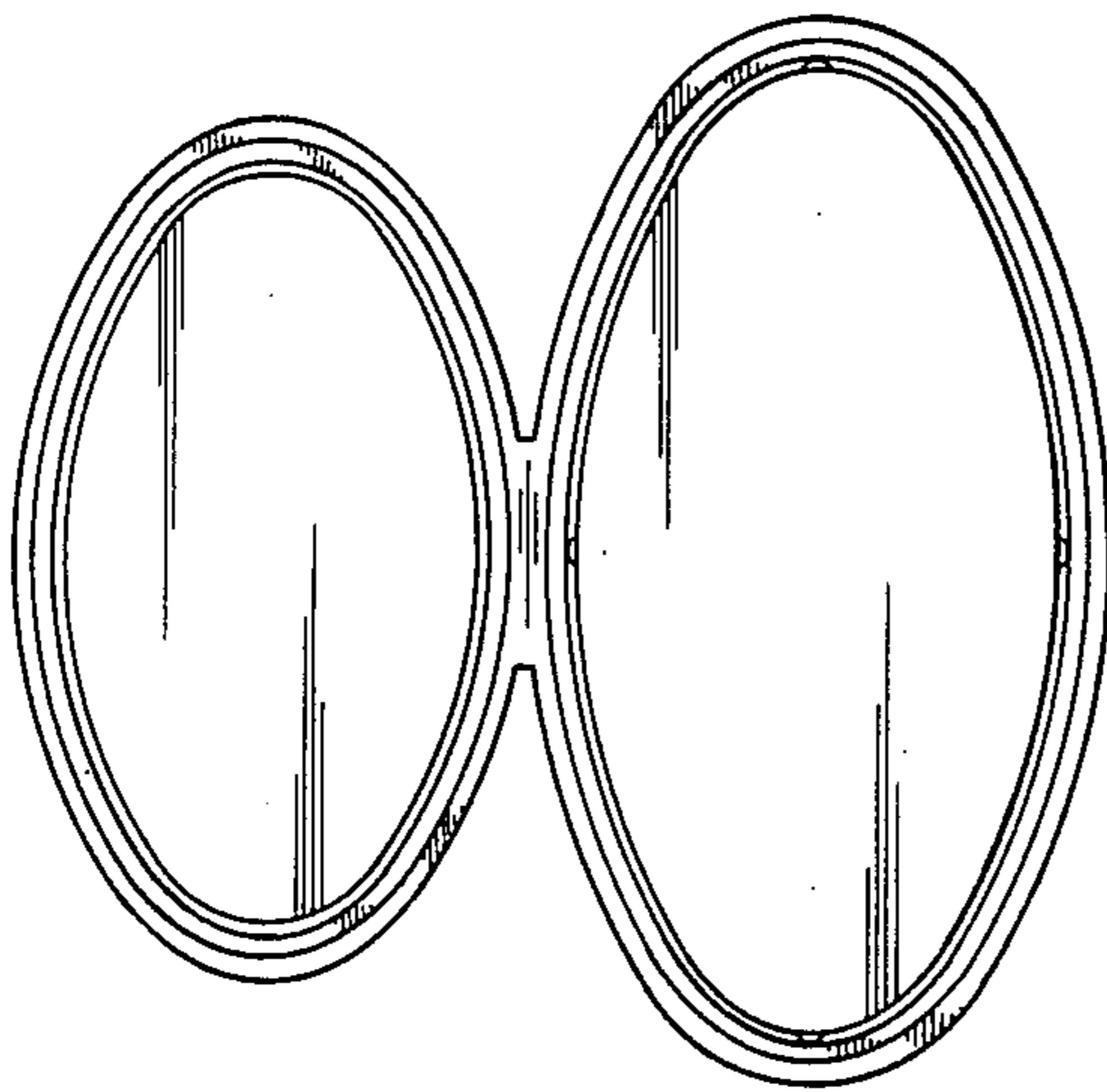


FIG. 6

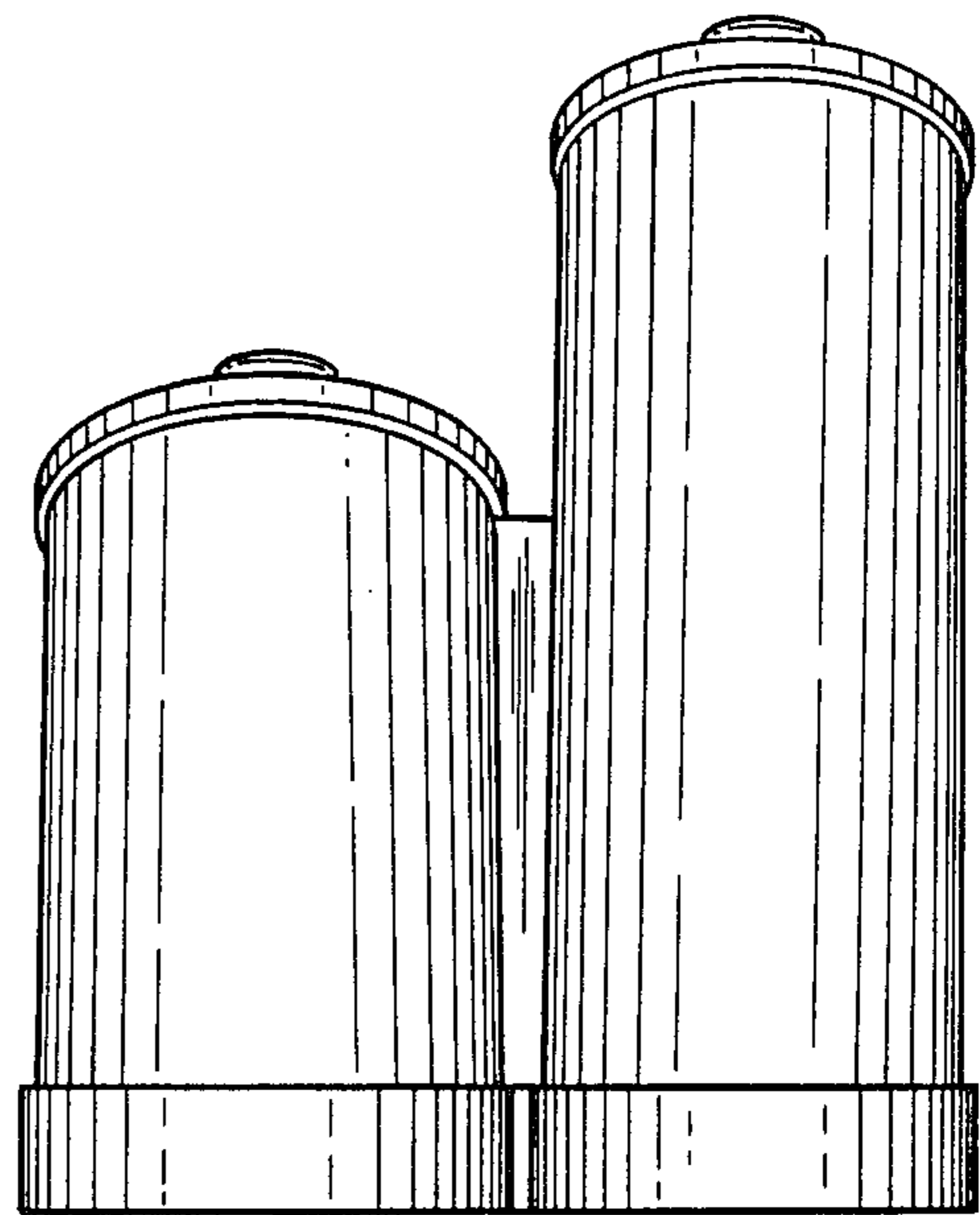


FIG. 7