

[54] COSMETIC PUFF DISPENSER
[76] Inventor: Howard Sussman, 1079 Hillsboro Mile, Hillsboro Beach, Fla. 33062

D. 238,145 12/1975 Ketcham D21/108
D. 252,409 7/1979 Rose et al. D28/73 X
D. 269,856 7/1983 Kuta D9/418
D. 278,684 5/1985 Sussman D9/339
3,851,936 12/1974 Muller 312/111 X

[**] Term: 14 Years

Primary Examiner—Louis S. Zarfes

[21] Appl. No.: 807,022

[57] CLAIM

[22] Filed: Dec. 9, 1985

The ornamental design for a cosmetic puff dispenser, as shown and described.

[52] U.S. Cl. D28/76; D6/518; D9/339

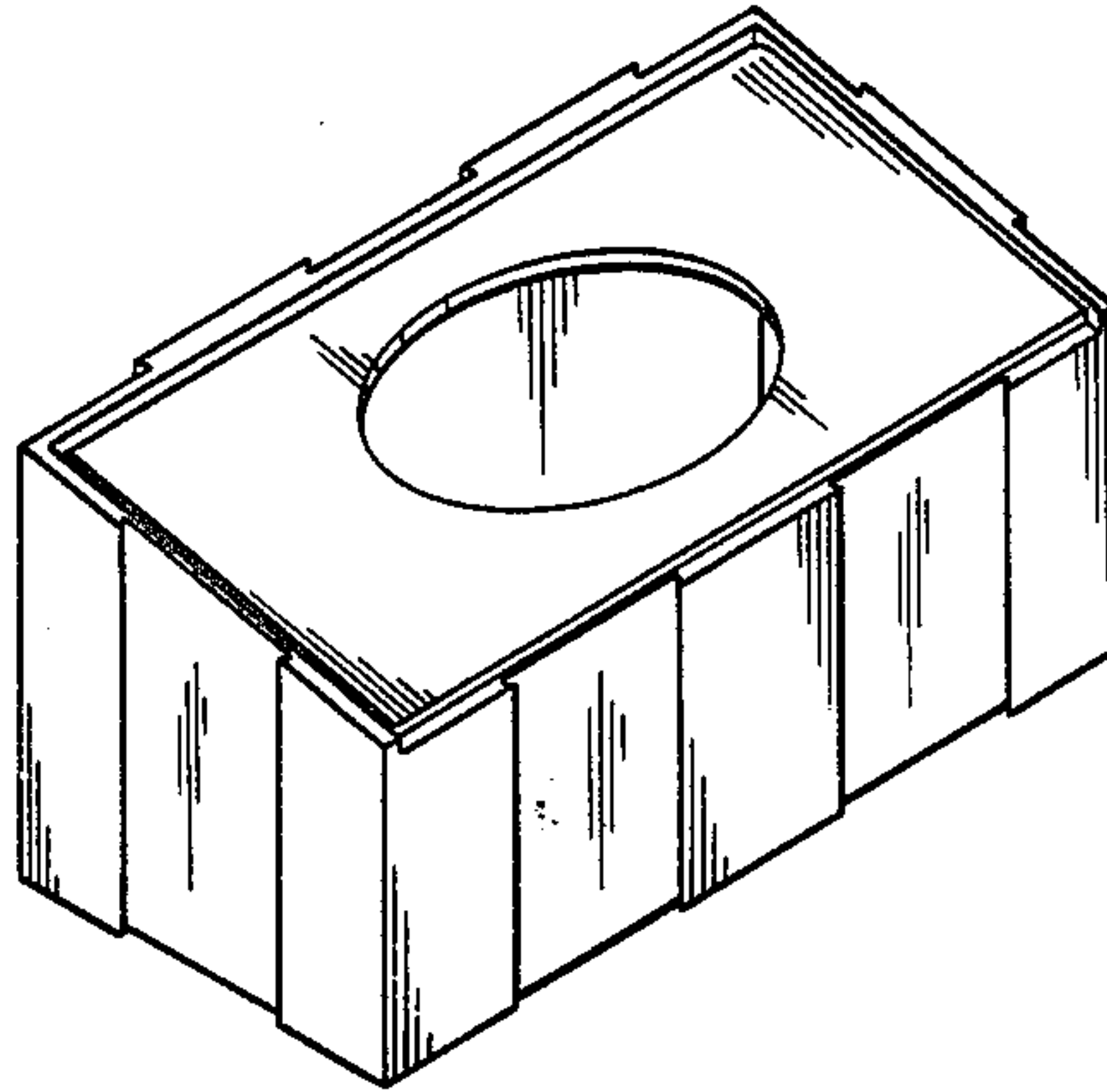
DESCRIPTION

[58] Field of Search D28/38, 61, 73-91.1; D3/39; D9/337, 338, 418, 419, 339; D6/518, 519; D21/108; 132/1 R, 79 R-79 D; 312/108, 111; 206/235, 385, 581, 823

FIG. 1 is a left-front isometric view of a cosmetic puff dispenser showing my new design;
FIG. 2 is a plan view thereof;
FIG. 3 is a front elevational view thereof;
FIG. 4 is a bottom view thereof;
FIG. 5 is a rear elevational view thereof;
FIG. 6 is a right side elevational view thereof;
FIG. 7 is a left side elevational view thereof; and
FIG. 8 is a section along line 8—8 of FIG. 1.

[56] References Cited
U.S. PATENT DOCUMENTS

D. 200,661 3/1965 Esner D6/519
D. 205,629 8/1966 Hartley D6/518



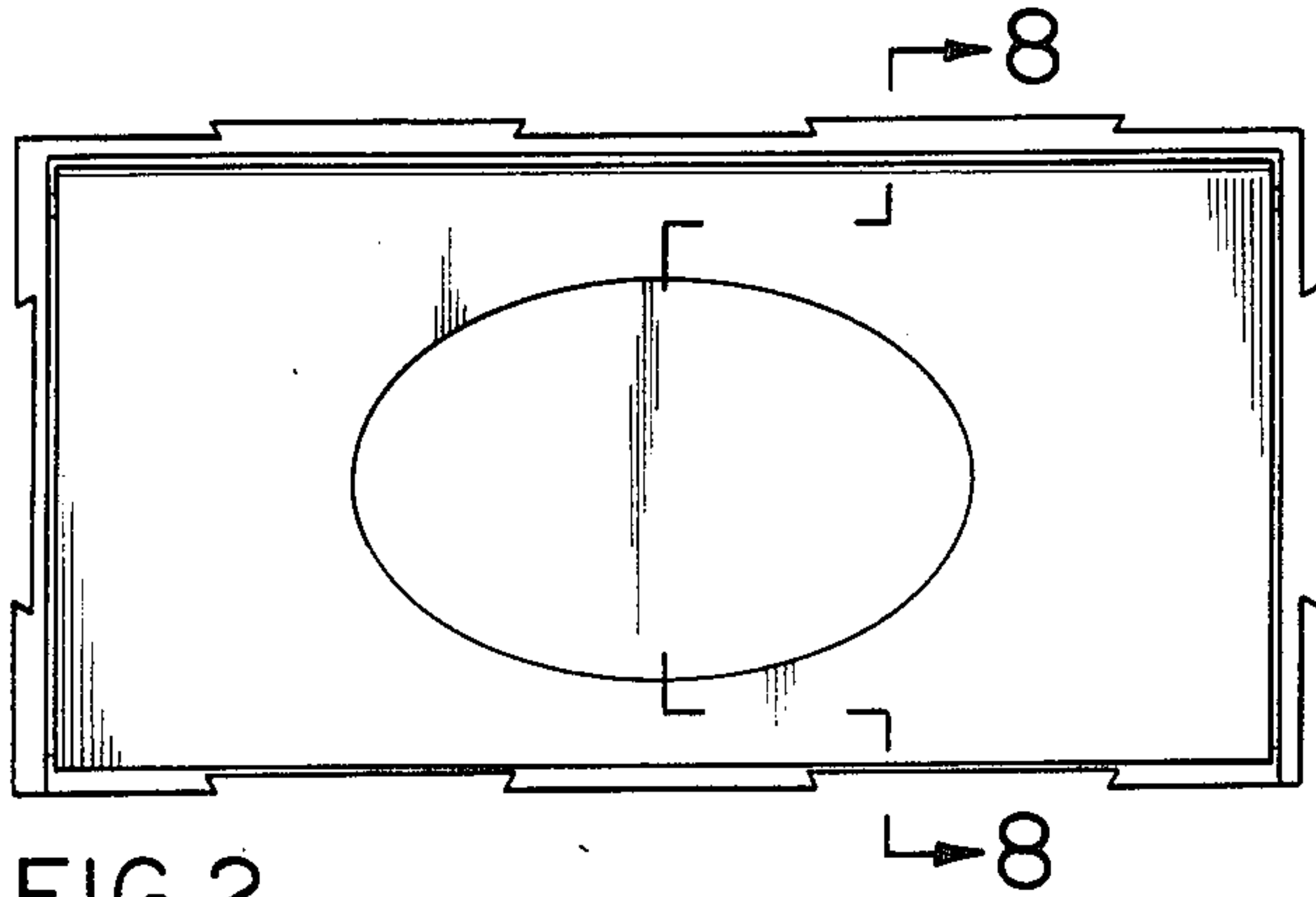


FIG. 2

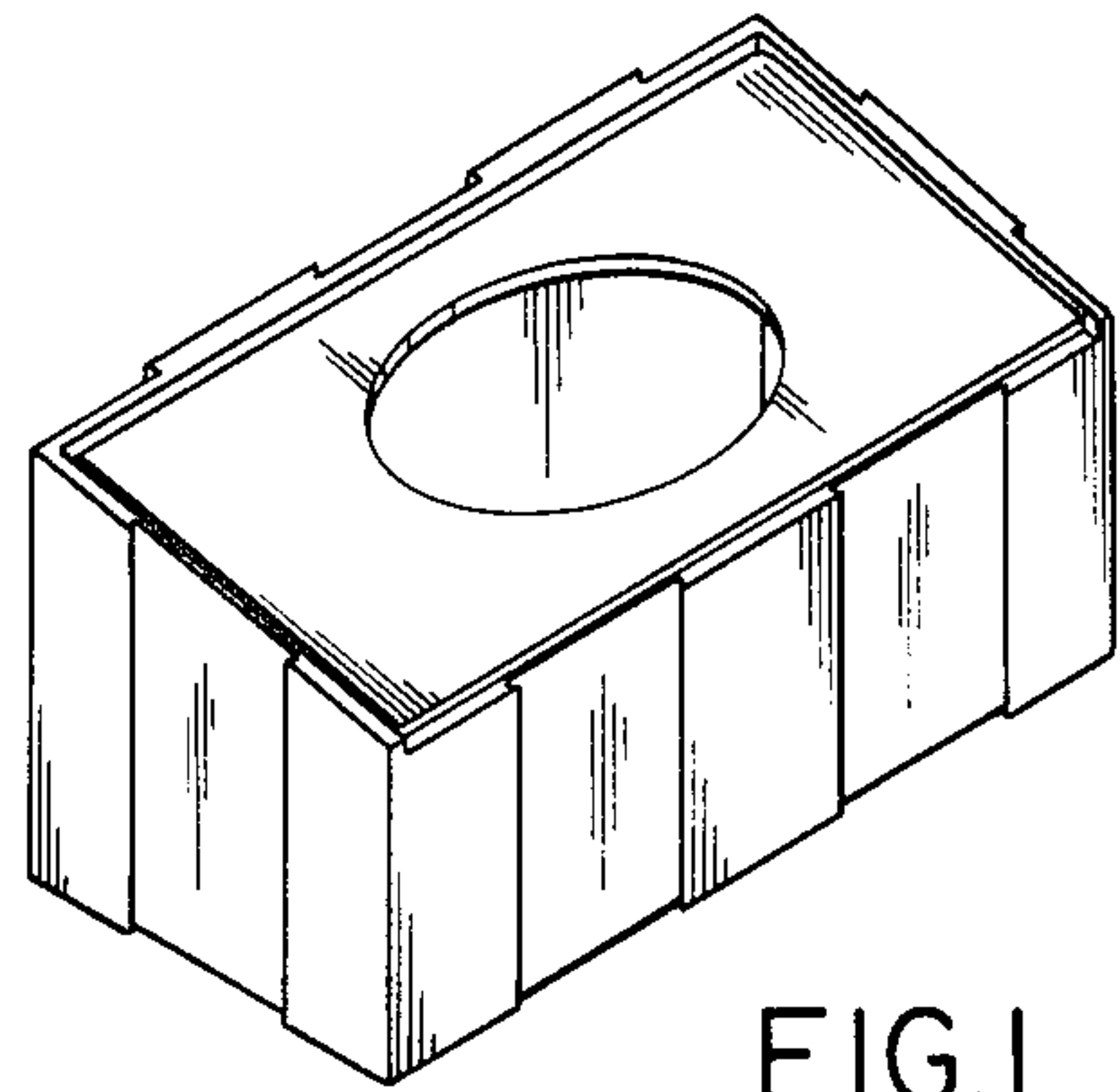


FIG. 1

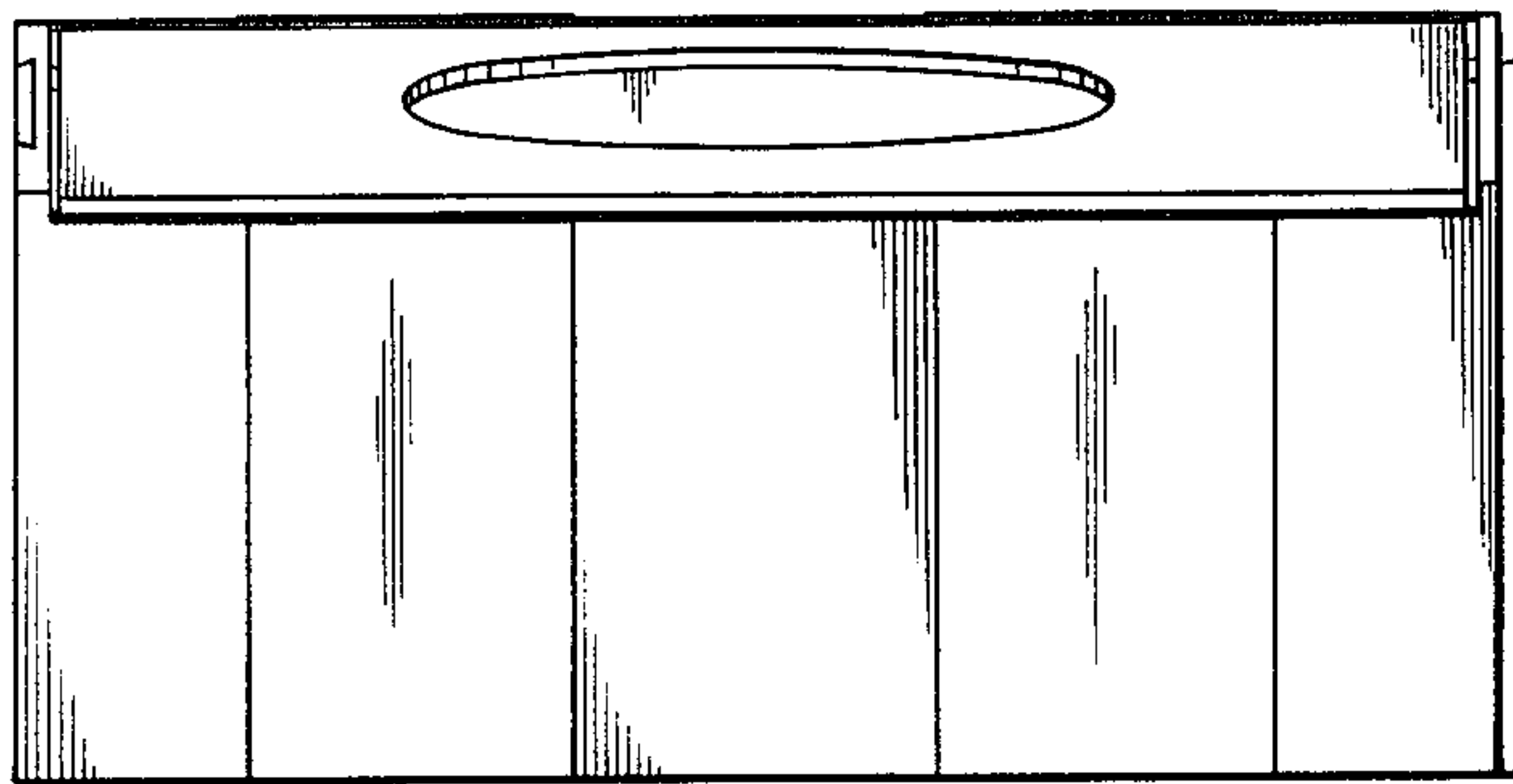


FIG. 3

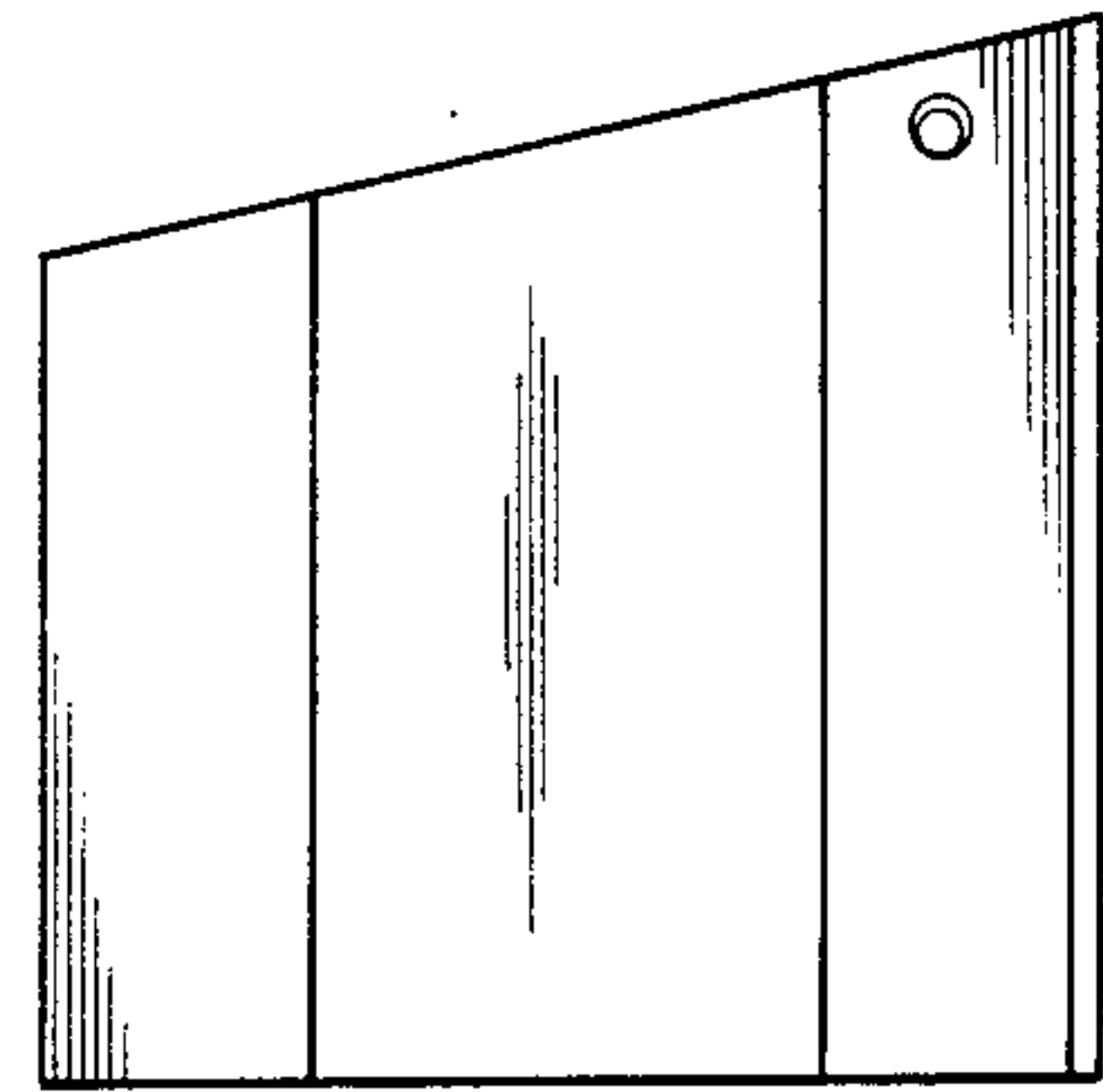


FIG. 6

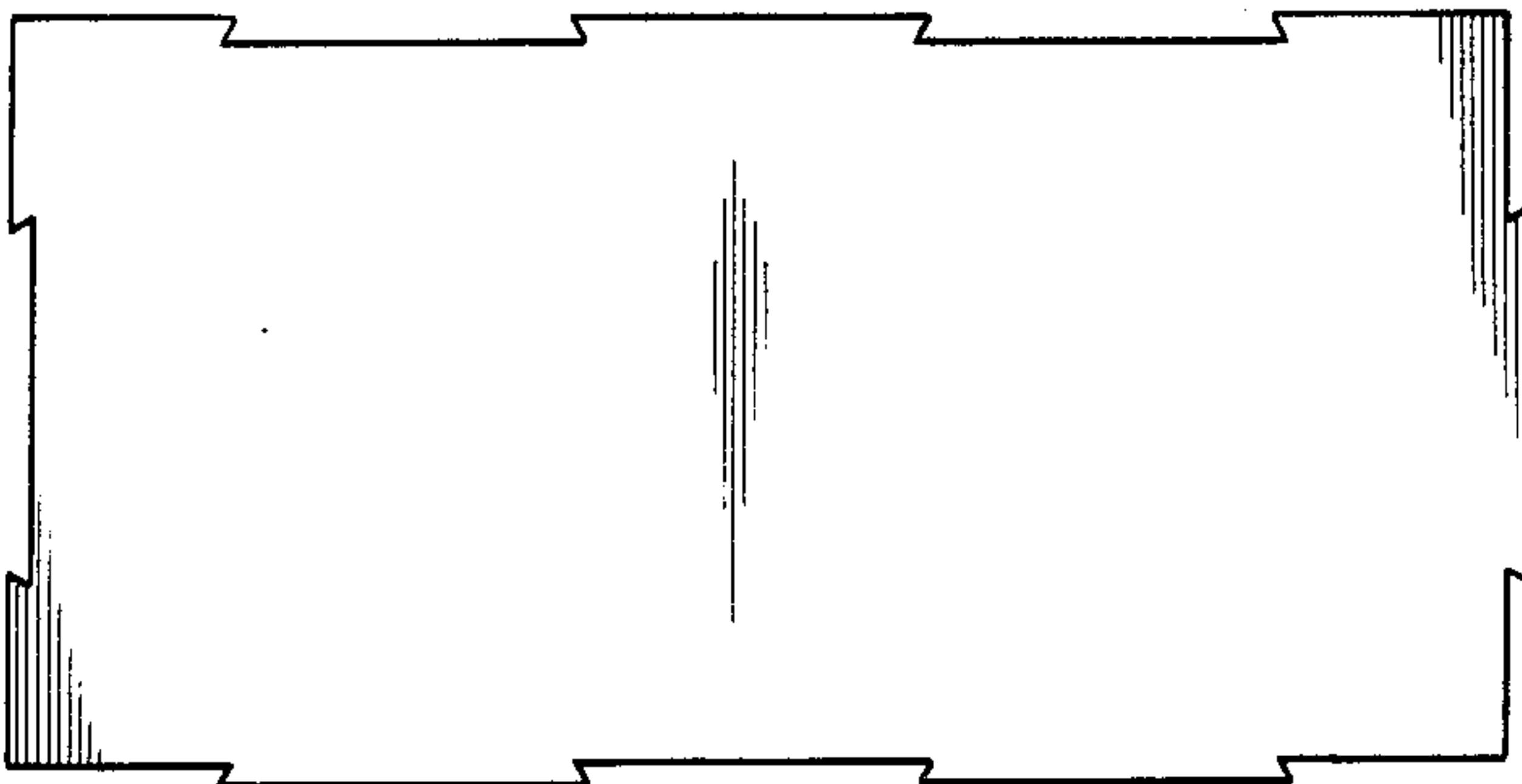


FIG. 4

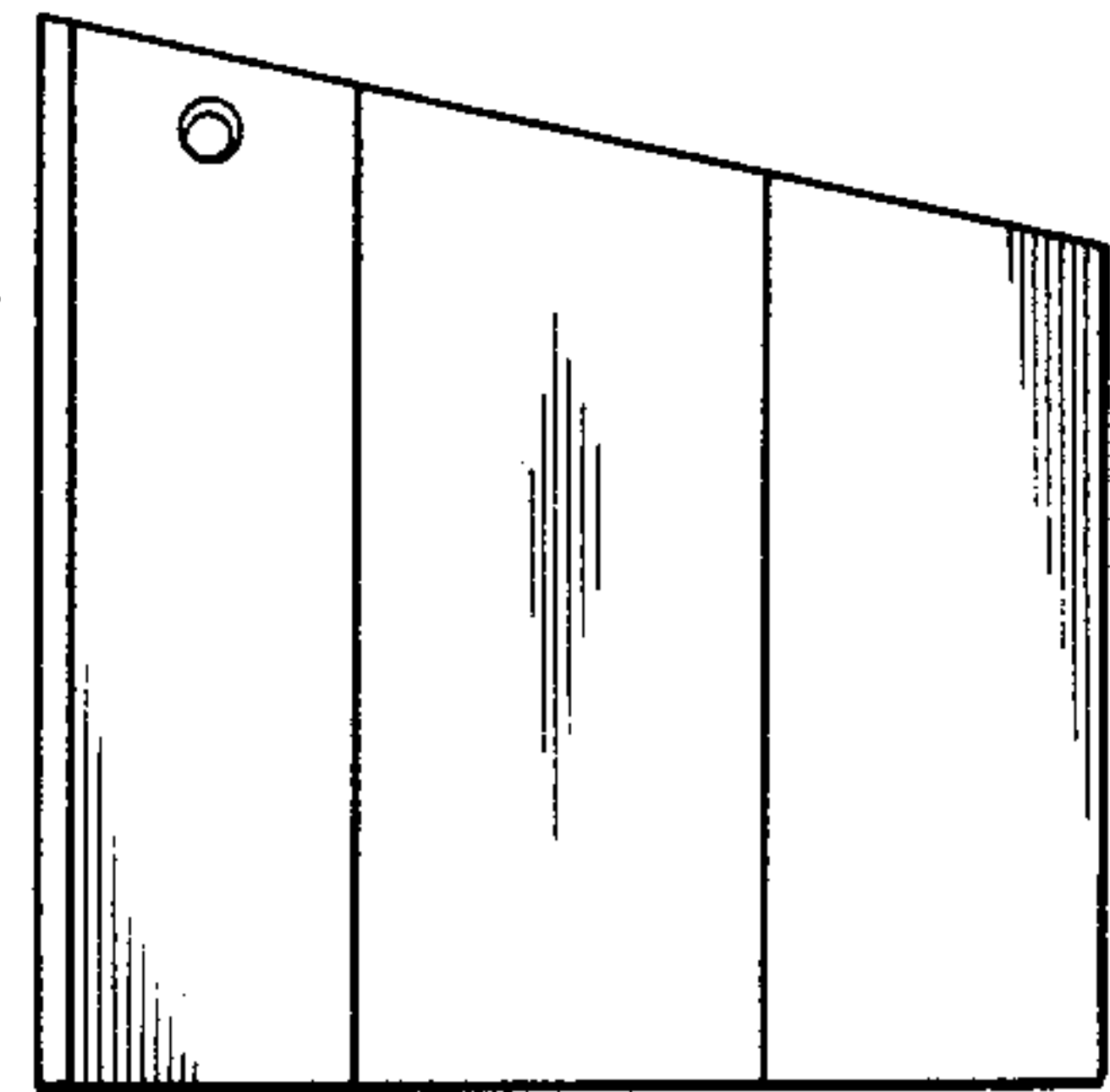


FIG. 7

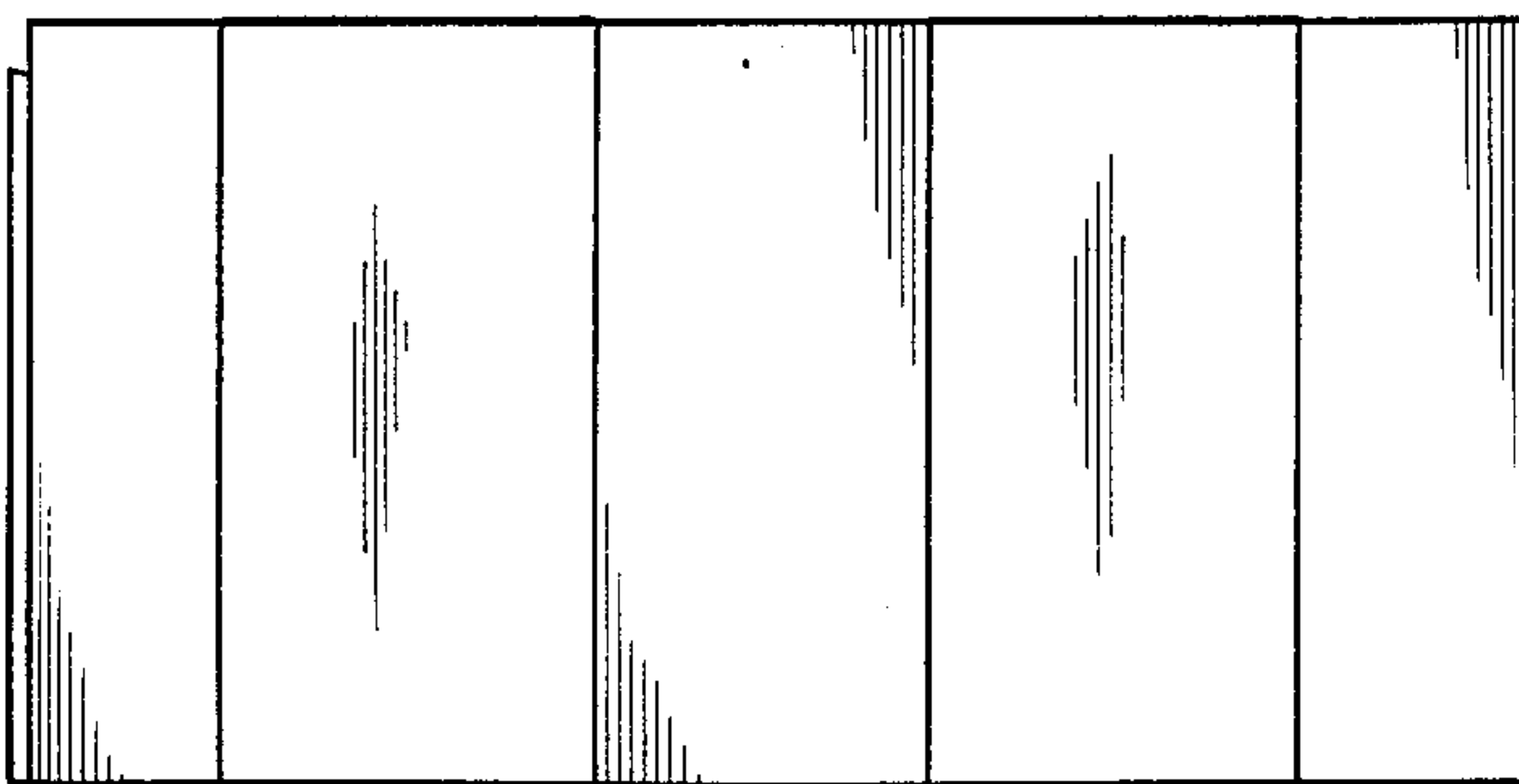


FIG. 5

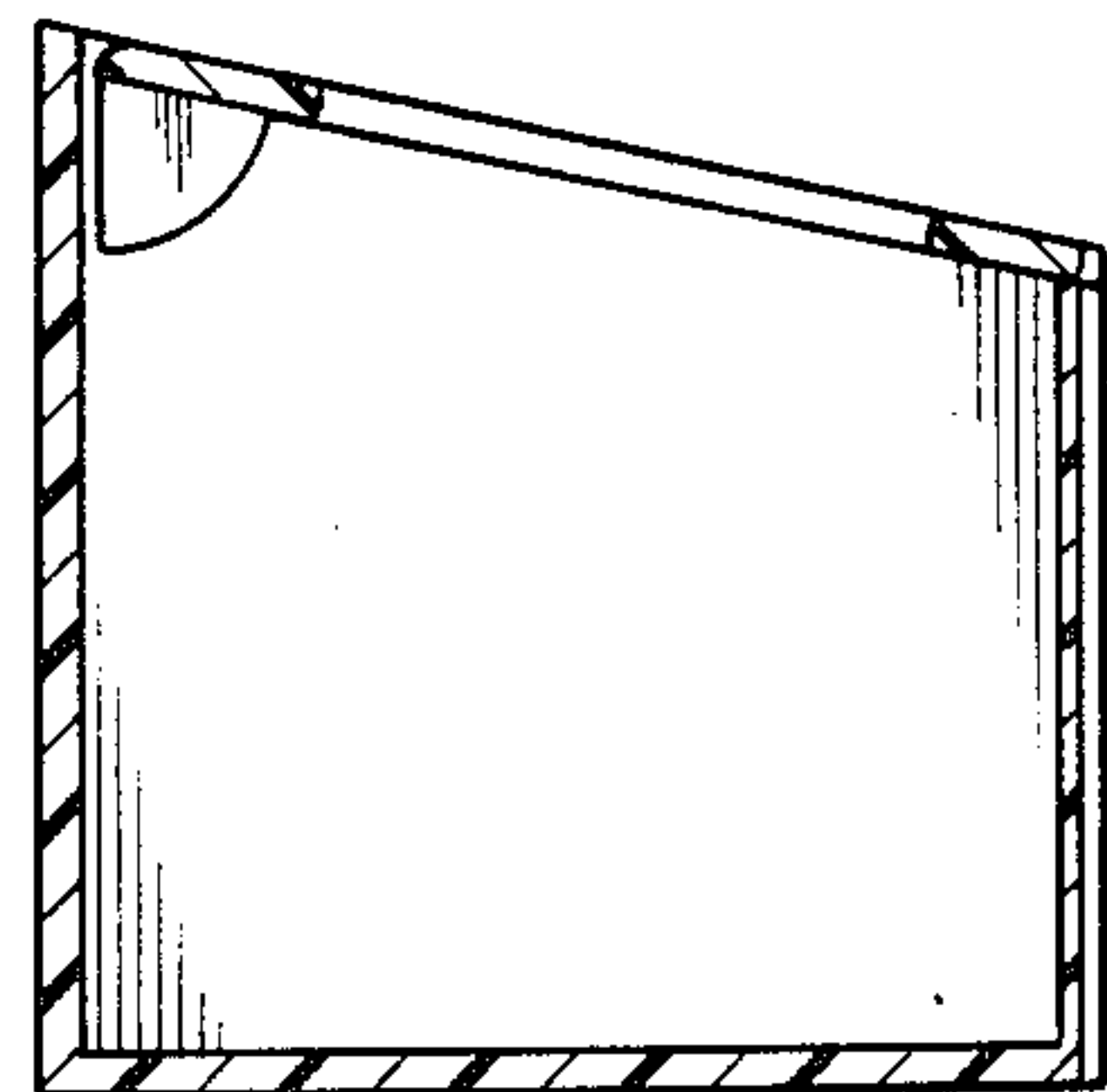


FIG. 8