

[54] ADJUSTABLE LAMP FOR VEHICLE OR SIMILAR ARTICLE

3,270,192 8/1966 Watson ..... D26/63 X

[75] Inventor: Kittson Mann, Kowloon, Hong Kong

[73] Assignee: Chung Mei Metal & Plastic Factory Limited, Hong Kong, Hong Kong

[\*\*] Term: 14 Years

[21] Appl. No.: 806,615

[22] Filed: Dec. 9, 1985

[30] Foreign Application Priority Data

Oct. 7, 1985 [GB] United Kingdom ..... 1029656  
[52] U.S. Cl. .... D26/29; D26/63  
[58] Field of Search ..... D26/28-36,  
D26/24, 61, 63, 65; 362/61, 80, 82, 83, 359, 310,  
362, 269; 340/81 R, 84, 87

[56] References Cited

U.S. PATENT DOCUMENTS

D. 276,468 11/1984 Preisler et al. .... D26/28  
1,471,842 10/1923 Gage ..... 362/61

OTHER PUBLICATIONS

Nutone Track, Recessed Specialty Lighting Catalog, ©1982, p. 29, Wall Washer Light #687-18-76.

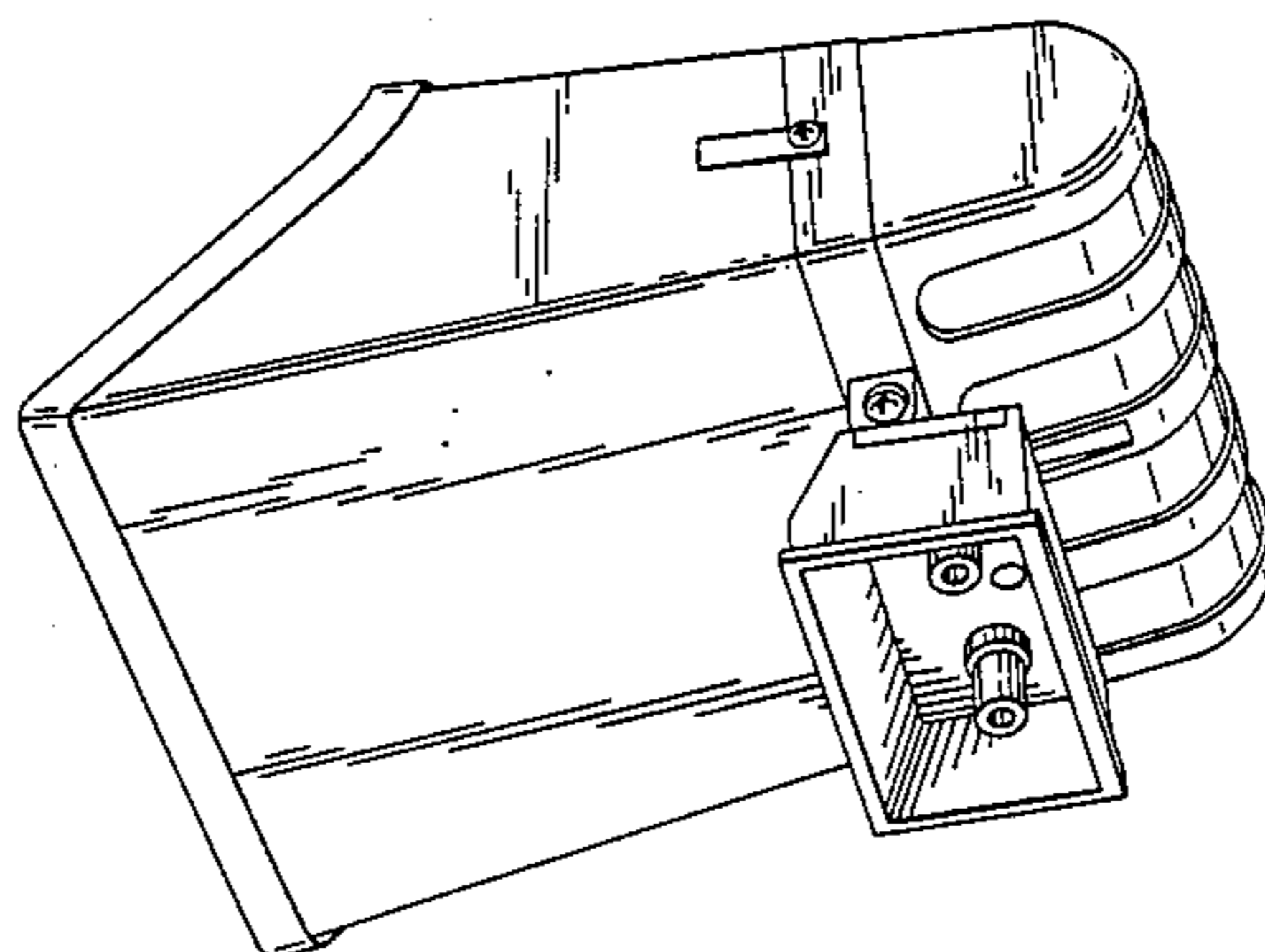
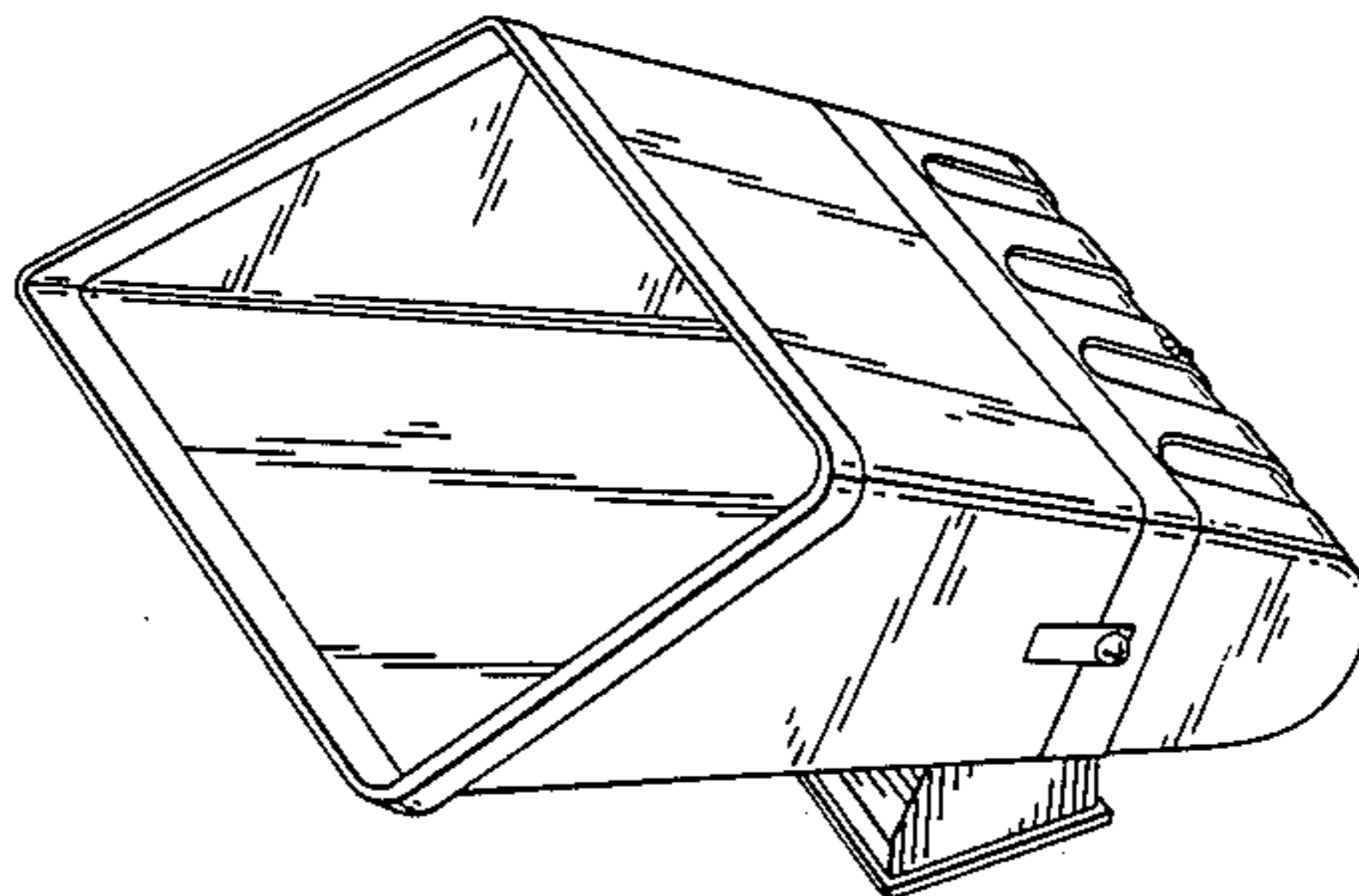
Primary Examiner—Susan J. Lucas  
Attorney, Agent, or Firm—Woodard, Emhardt, Naughton, Moriarty & McNett

[57] CLAIM

The ornamental design for an adjustable lamp for vehicle or similar article, as shown and described.

DESCRIPTION

FIG. 1 is a front perspective view of an adjustable lamp for vehicle or similar article showing my new design; FIG. 2 is a bottom perspective view thereof; FIG. 3 is a side elevational view thereof; FIG. 4 is an opposite side elevational view thereof, the lamp being pivoted to an alternate position; FIG. 5 is a front perspective view thereof with the lamp and detachable hood separated for purposes of disclosure; FIG. 6 is a rear elevational view thereof in assembled condition.



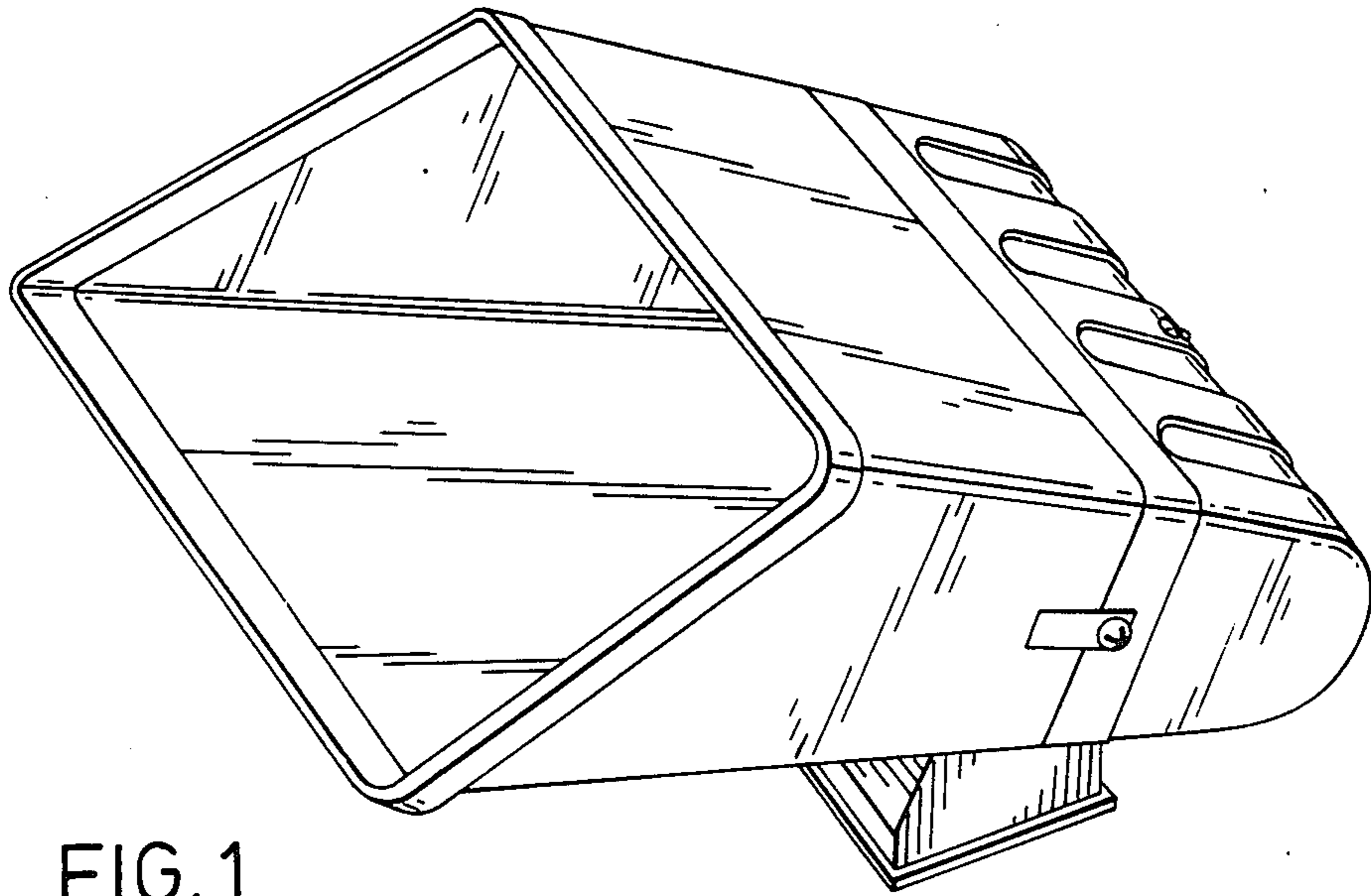


FIG. 1

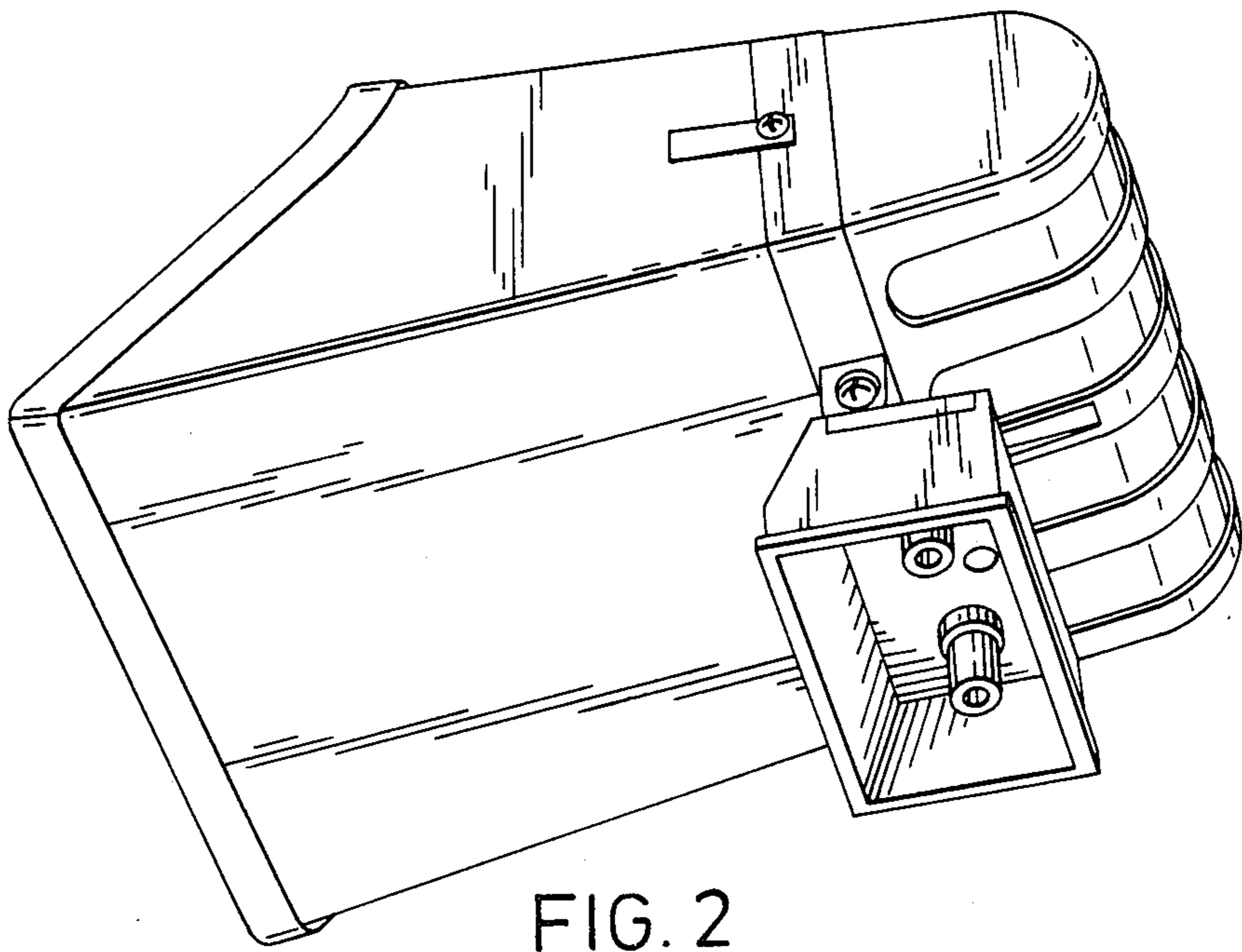
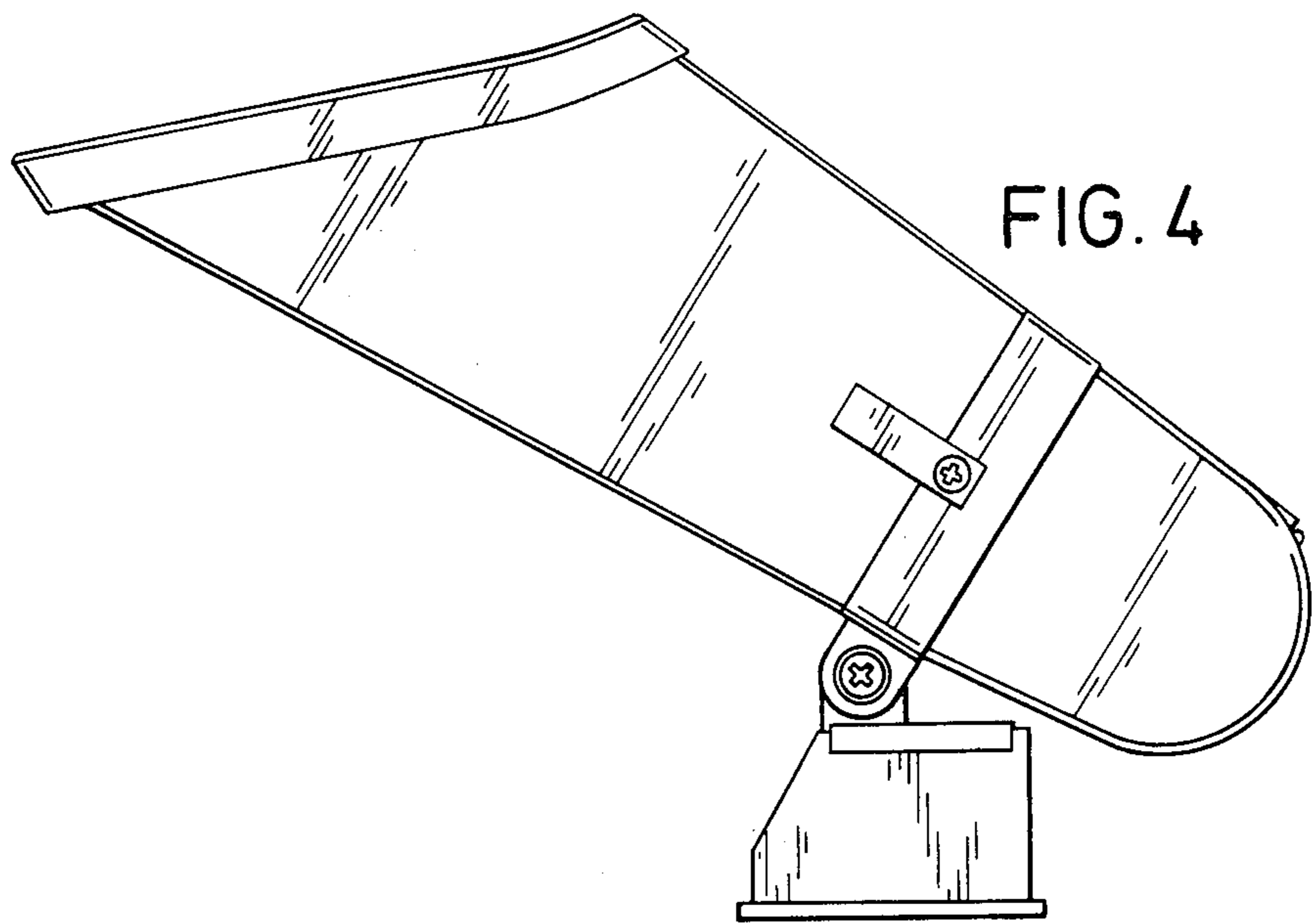
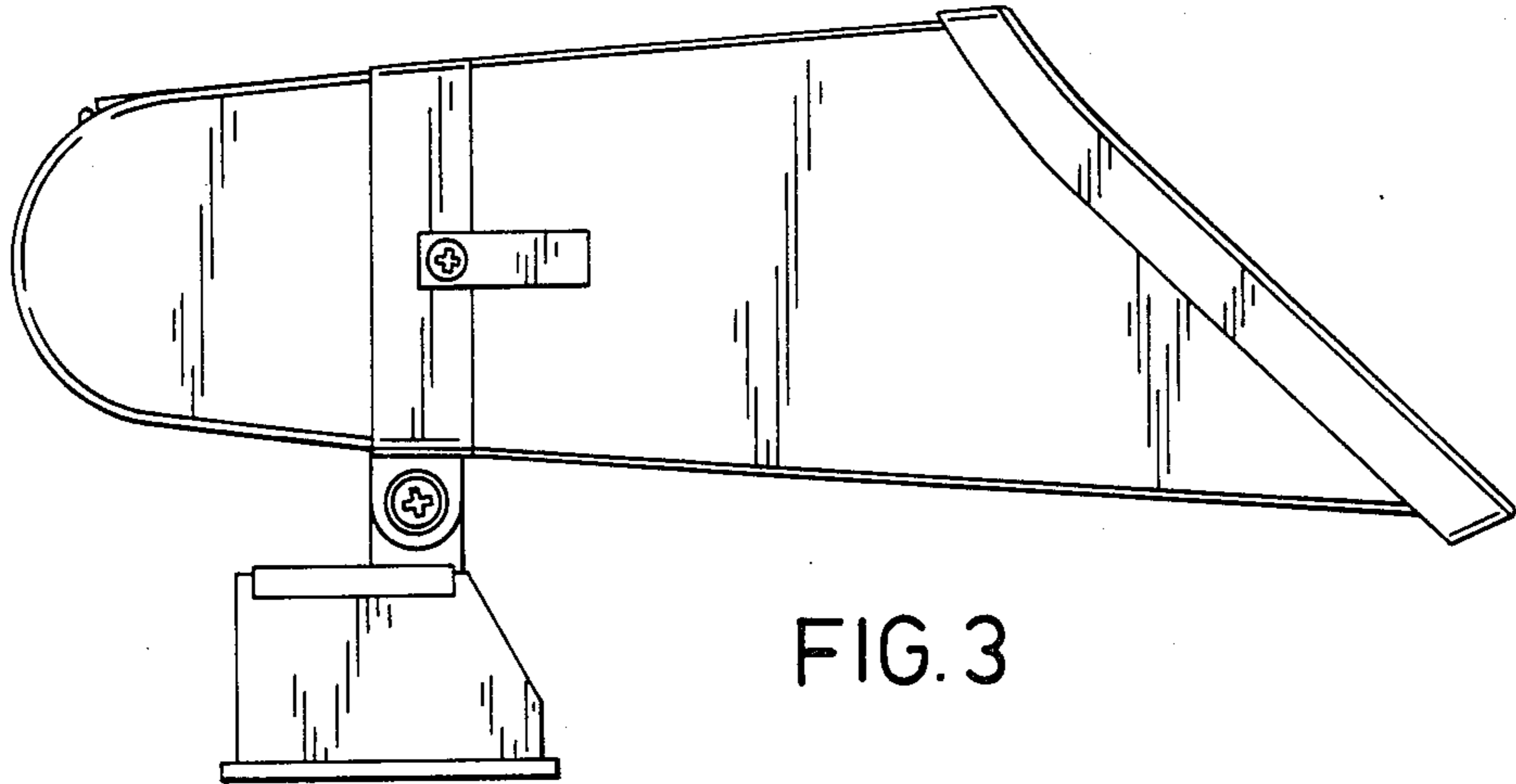
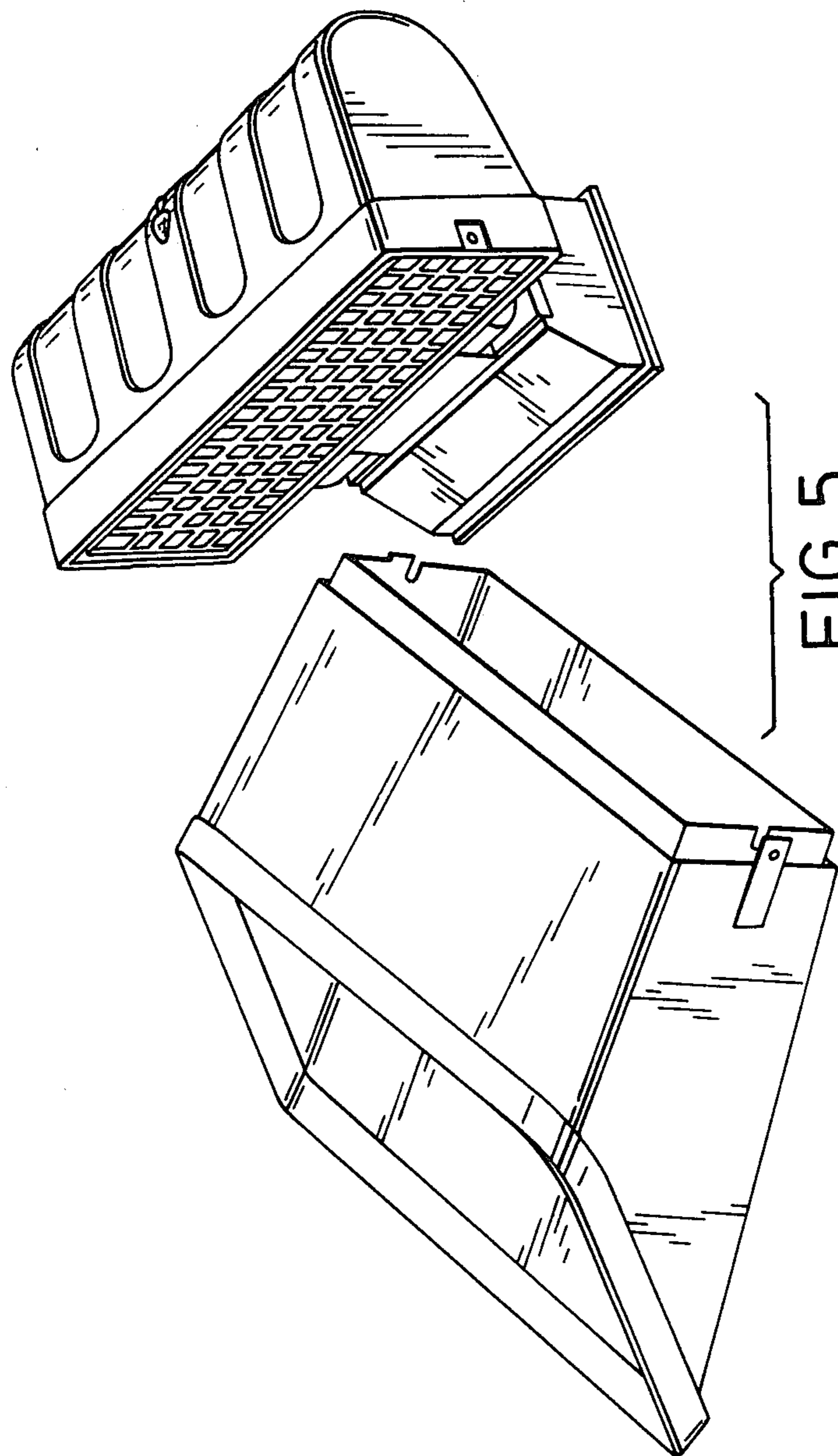


FIG. 2





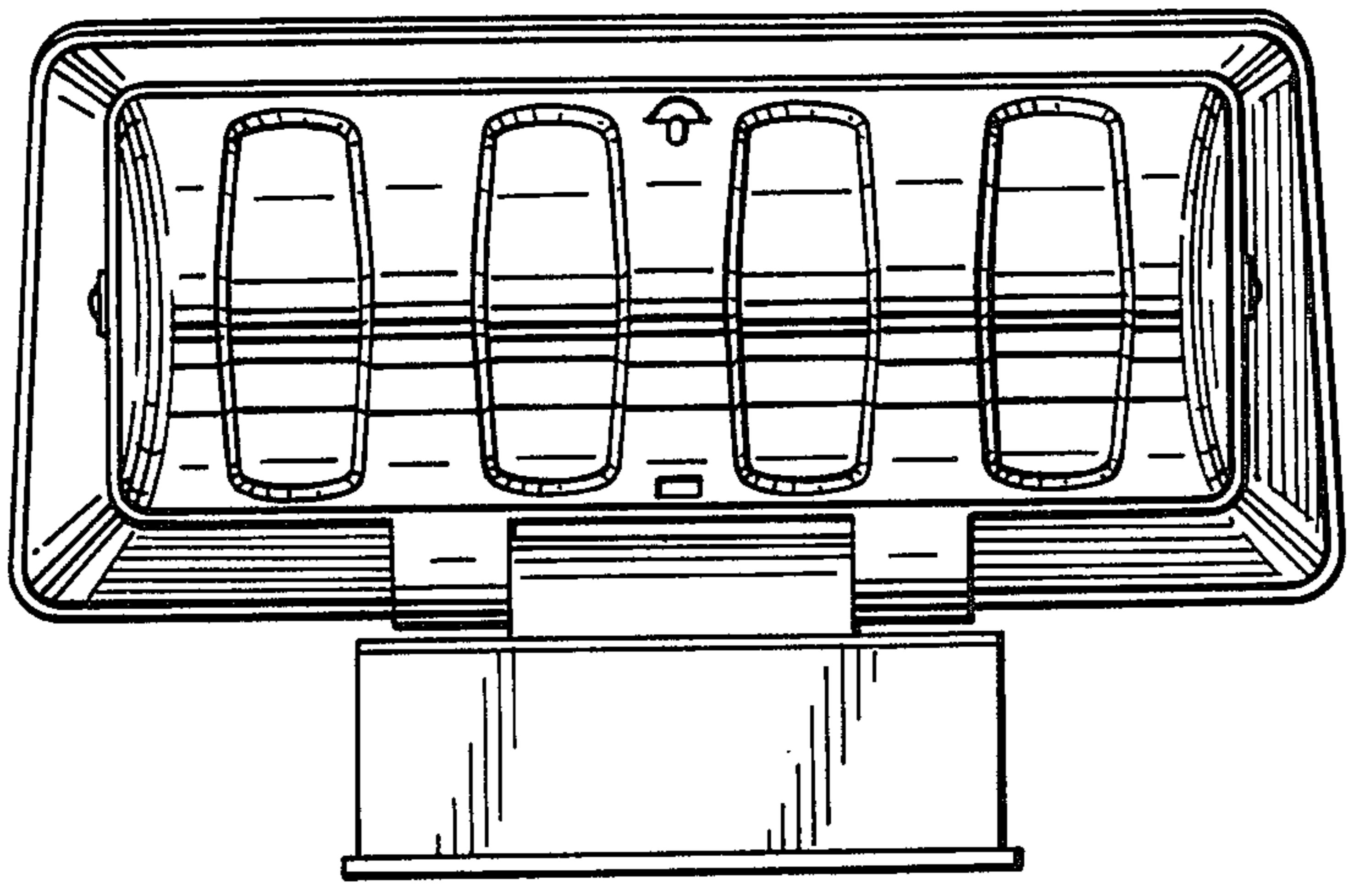


FIG.6.