

[54] **STEP LADDER SECTION**

[75] **Inventor: Claude R. Wallick, Jr., Louisville, Ky.**

[73] **Assignee: Emerson Electric Co., St. Louis, Mo.**

[**] **Term: 14 Years**

[21] **Appl. No.: 710,479**

[22] **Filed: Mar. 11, 1985**

[52] **U.S. Cl. D25/68; D25/64**

[58] **Field of Search 182/108, 118, 46, 97,
182/106, 119; D25/62-68**

[56] **References Cited**

U.S. PATENT DOCUMENTS

4,023,647 5/1977 Confer D25/63 X

Primary Examiner—A. Hugo Word

Attorney, Agent, or Firm—Polster, Polster and Lucchesi

[57] **CLAIM**

The ornamental design for a step ladder section, as shown and described.

DESCRIPTION

FIG. 1 is a front perspective view of a step ladder section showing my new design;

FIG. 2 is a front elevation view;

FIG. 3 is an elevational view, looking from the right of FIG. 2, the opposite side being a mirror image thereof;

FIG. 4 is a rear elevational view thereof;

FIG. 5 is a top plan view; and

FIG. 6 is a bottom plan view.

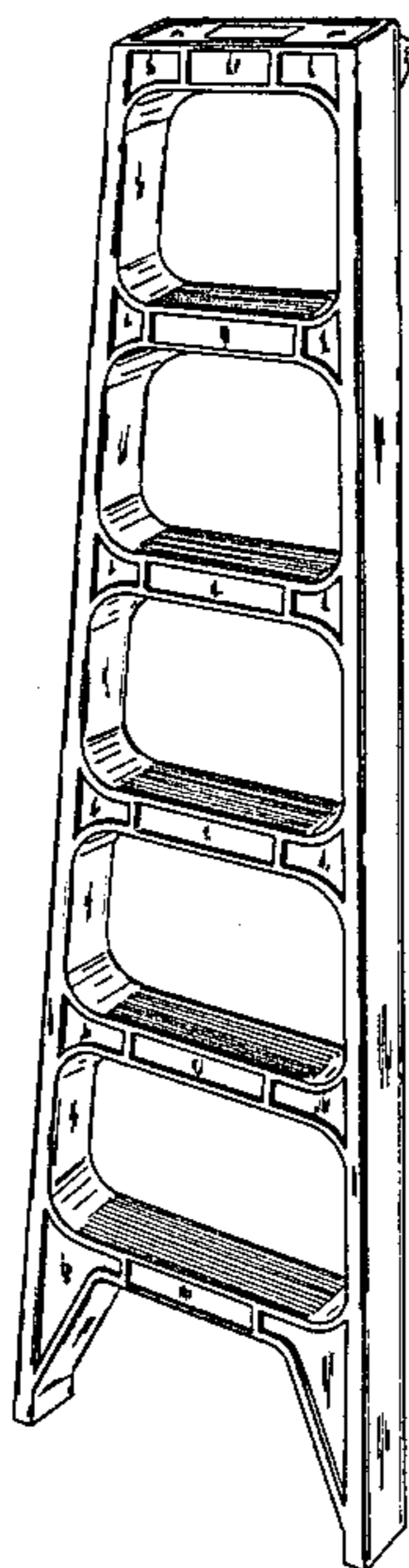


FIG. 1

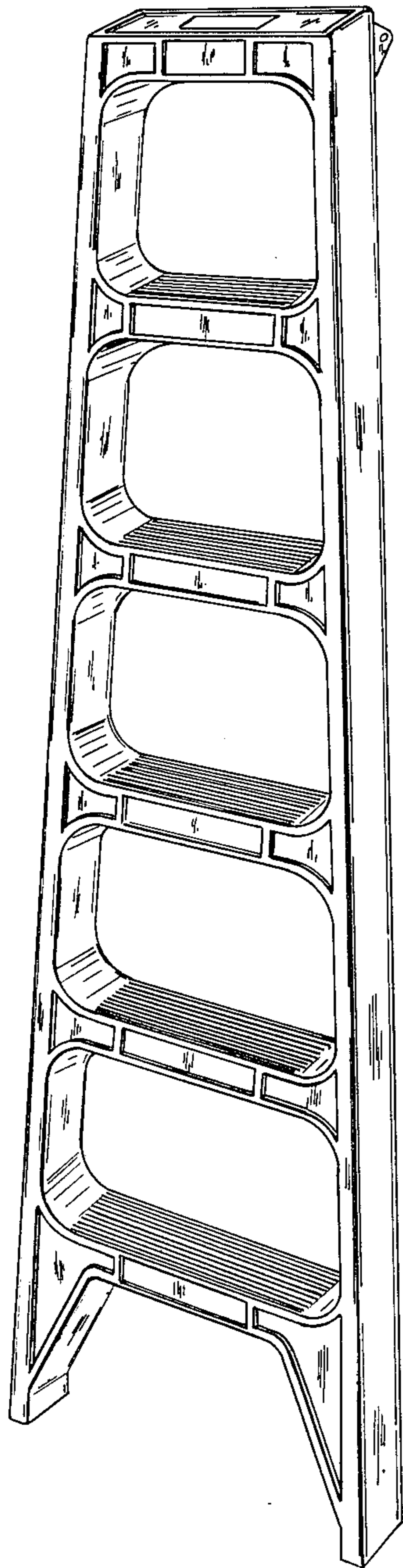


FIG. 2

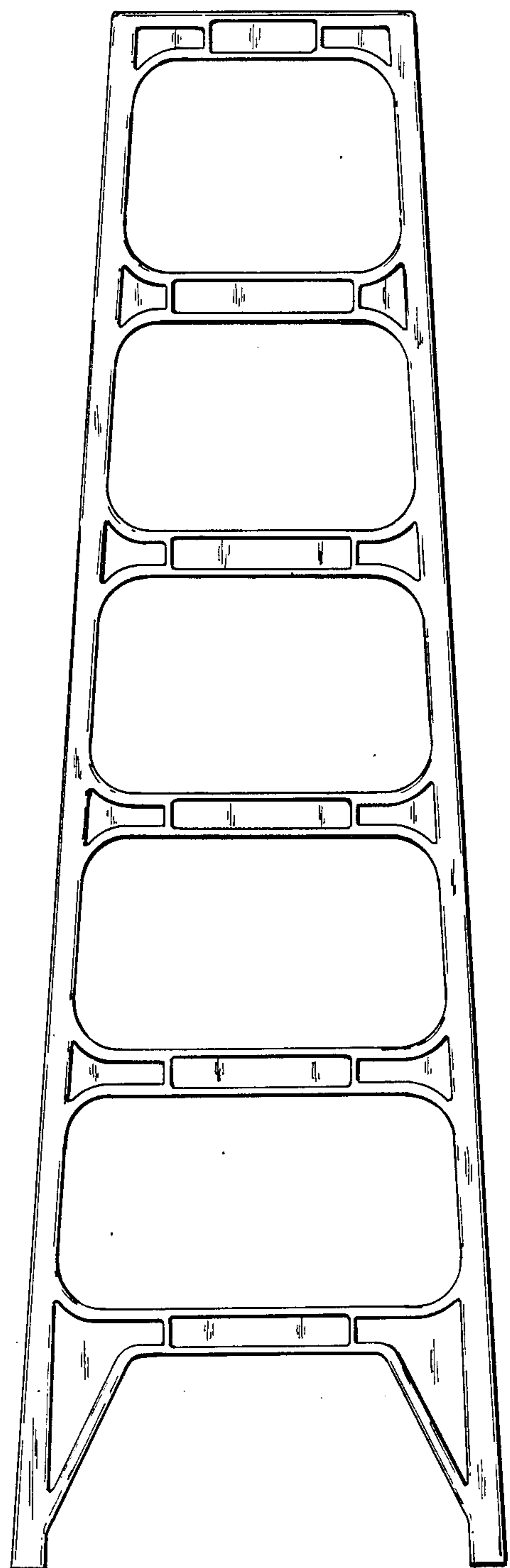


FIG. 3

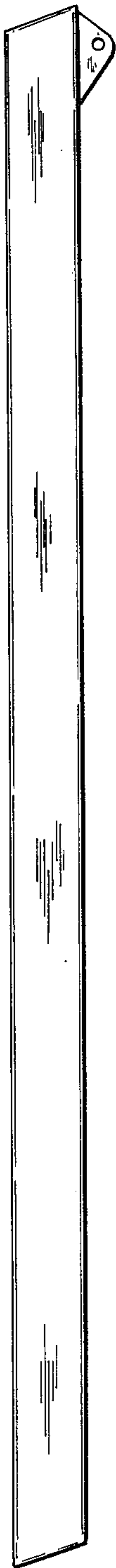


FIG. 4

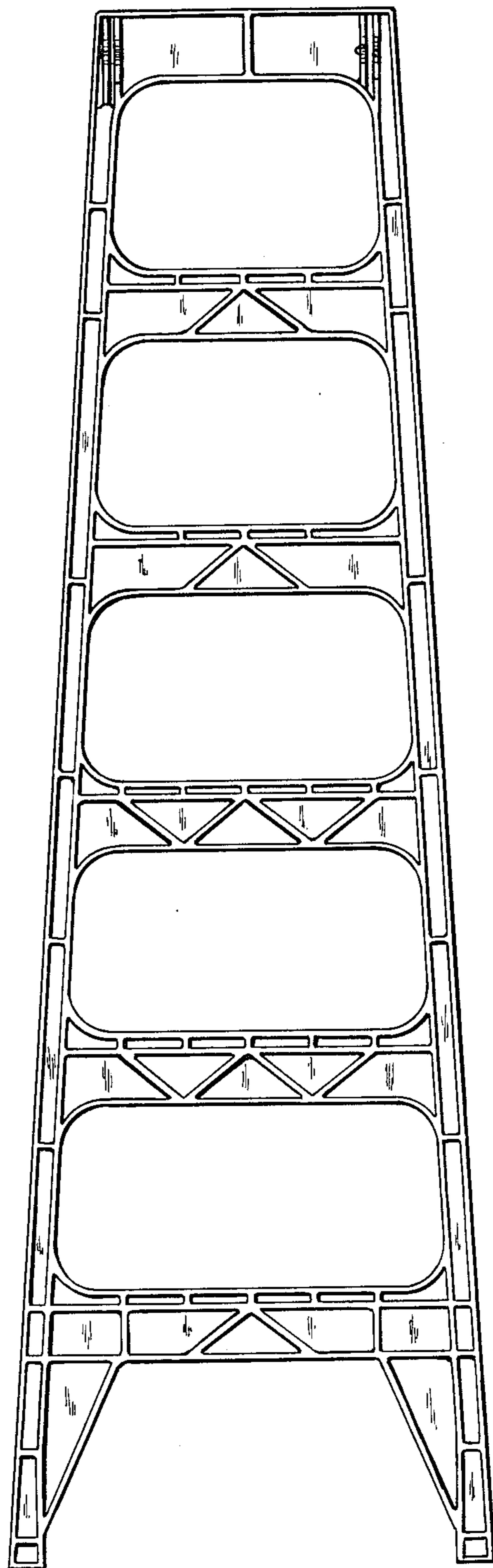


FIG. 5

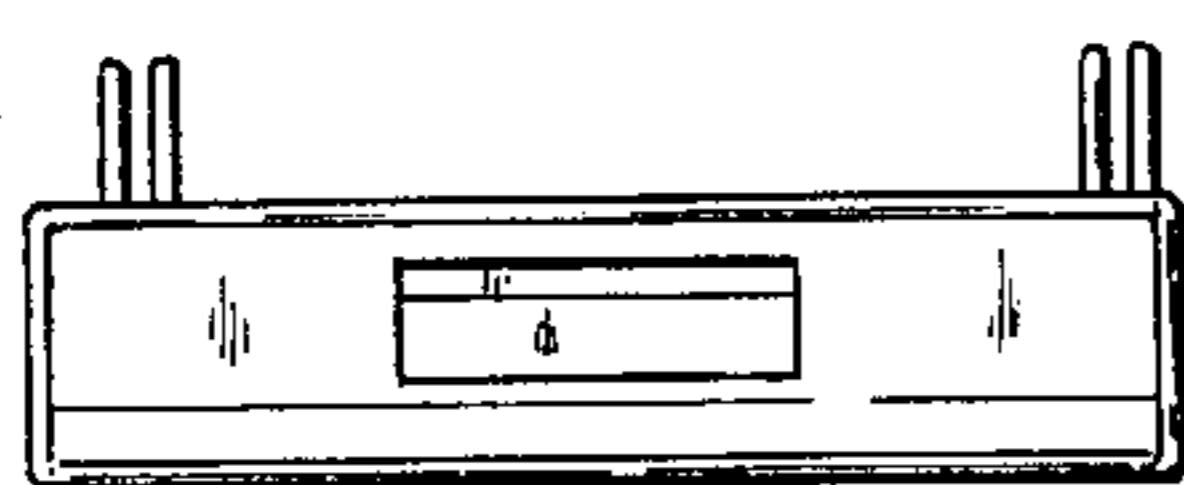


FIG. 6

