

[54] SURGICAL STAPLE CARTRIDGE

[75] Inventors: John V. Hunt, Milford; Lawrence E. Spreckelmeier, Cincinnati, both of Ohio

[73] Assignee: Ethicon, Inc., Somerville, N.J.

[**] Term: 14 Years

[21] Appl. No.: 810,306

[22] Filed: Dec. 18, 1985

[52] U.S. Cl. D24/27; D24/26

[58] Field of Search D24/27, 26; 128/334 R, 128/305; 227/19, 124, 127, 76, 109, 110, 120, 129, 134, DIG. 1; 206/339

4,354,628	10/1982	Green .	
4,429,695	2/1984	Green .	
4,478,220	10/1984	DiGiovanni et al.	128/334 X
4,520,817	6/1985	Green .	
4,550,870	11/1985	Krumme et al. .	
4,566,620	1/1986	Green et al. .	
4,568,009	2/1986	Green .	
4,573,622	3/1986	Green et al. .	
4,580,712	4/1986	Green .	
4,633,861	1/1987	Chow et al.	128/334 X
4,633,874	1/1987	Chow et al.	128/334 R

FOREIGN PATENT DOCUMENTS

1213583	3/1983	Australia .
888868	12/1971	Canada .
927936	6/1963	United Kingdom .
173878	9/1965	U.S.S.R. .
599799	3/1978	U.S.S.R. .

[56] References Cited

U.S. PATENT DOCUMENTS

D. 272,851	2/1984	Green et al. .	
D. 272,852	2/1984	Green et al. .	
D. 278,080	3/1985	Green et al. .	
D. 278,081	3/1985	Green .	
D. 282,401	1/1986	Korthoff et al. .	
D. 282,487	2/1986	Green .	
D. 284,218	6/1986	Green .	
D. 284,403	6/1986	Green .	
960,300	6/1910	Fisher .	
2,344,071	3/1944	Wilson et al. .	
3,017,637	1/1962	Sampson .	
3,078,465	2/1963	Bobrov .	
3,079,606	3/1963	Bobrov et al. .	
3,275,211	9/1966	Hirsch et al. .	
3,315,863	4/1967	O'Dea .	
3,317,105	5/1967	Astafjev et al. .	
3,482,428	12/1970	Kapitanov .	
3,490,675	1/1970	Green et al. .	
3,499,591	3/1970	Green .	
3,551,987	1/1971	Wilkinson .	
3,638,847	2/1972	Noiles et al.	227/19 X
4,111,206	9/1978	Vishnevsky et al. .	
4,204,623	5/1980	Green .	
4,241,861	12/1980	Fleischer .	
4,244,372	1/1981	Kapitanov et al. .	
4,290,542	9/1981	Fedotov et al. .	
4,328,805	5/1982	Akopov et al. .	

OTHER PUBLICATIONS

Canadian application No. 12-05-81-4, filed May 12, 1981.
AORN Journal, vol. 42, No. 3, Sep. 1985, unnumbered pages on opposite sides of pp. 397 and 400.
Undated materials comprising two pages relating to Surgeons Choice staplers advertised by American V. Mueller.

Primary Examiner—Wallace R. Burke
Assistant Examiner—Stella M. Reid
Attorney, Agent, or Firm—Charles P. Bokus, Jr.

[57] CLAIM

The ornamental design for a surgical staple cartridge, as shown and described.

DESCRIPTION

FIG. 1 is a side perspective view of a surgical staple cartridge showing our new design;
FIG. 2 is a side elevational view thereof;
FIG. 3 is a top plan view thereof;
FIG. 4 is a bottom plan view thereof;
FIG. 5 is a front elevational view thereof;
FIG. 6 is a rear elevational view thereof;
FIG. 7 is an enlarged fragmentary view of FIG. 3; and
FIG. 8 is an enlarged fragmentary view of FIG. 4.

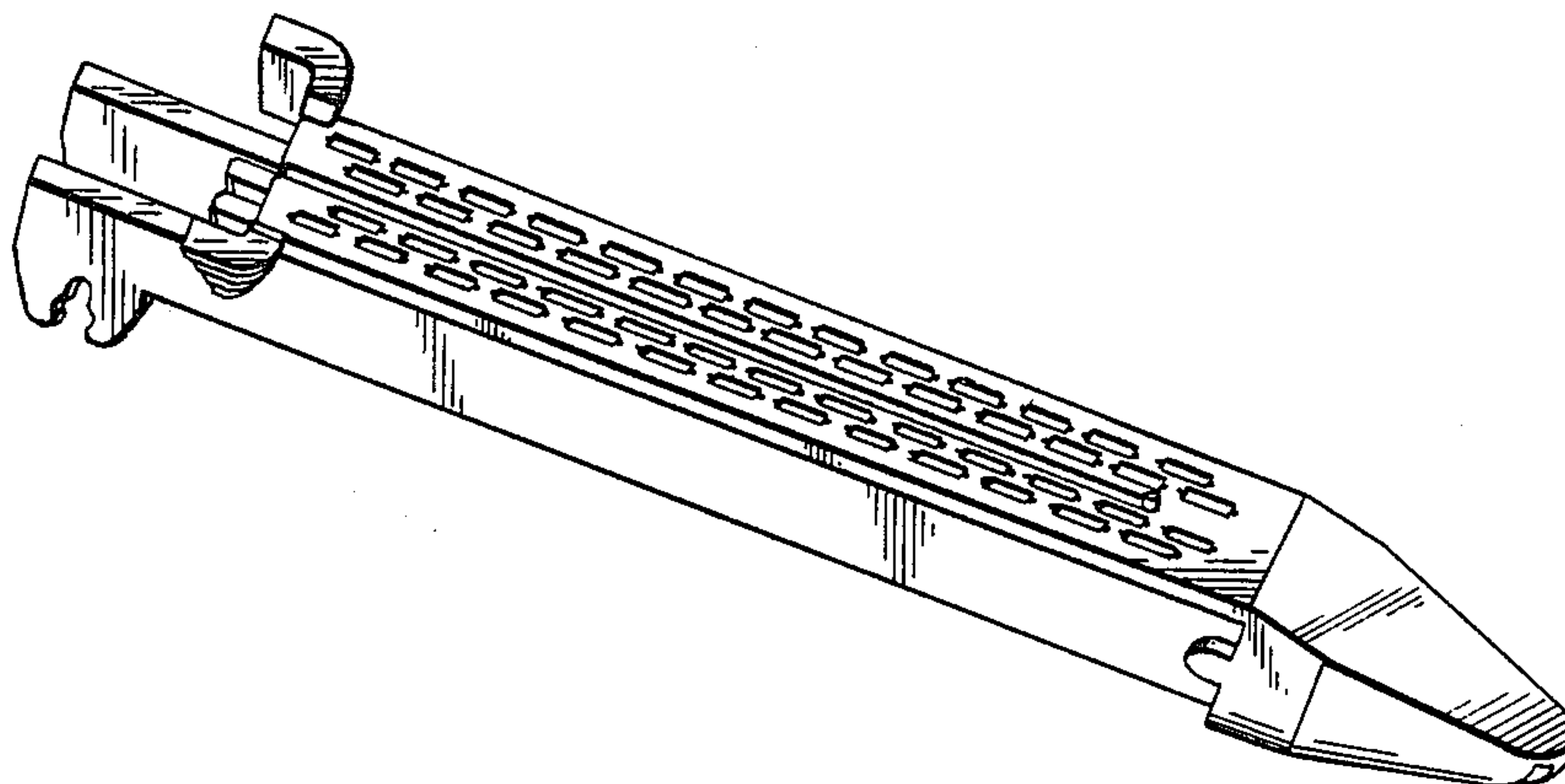


Fig. 1

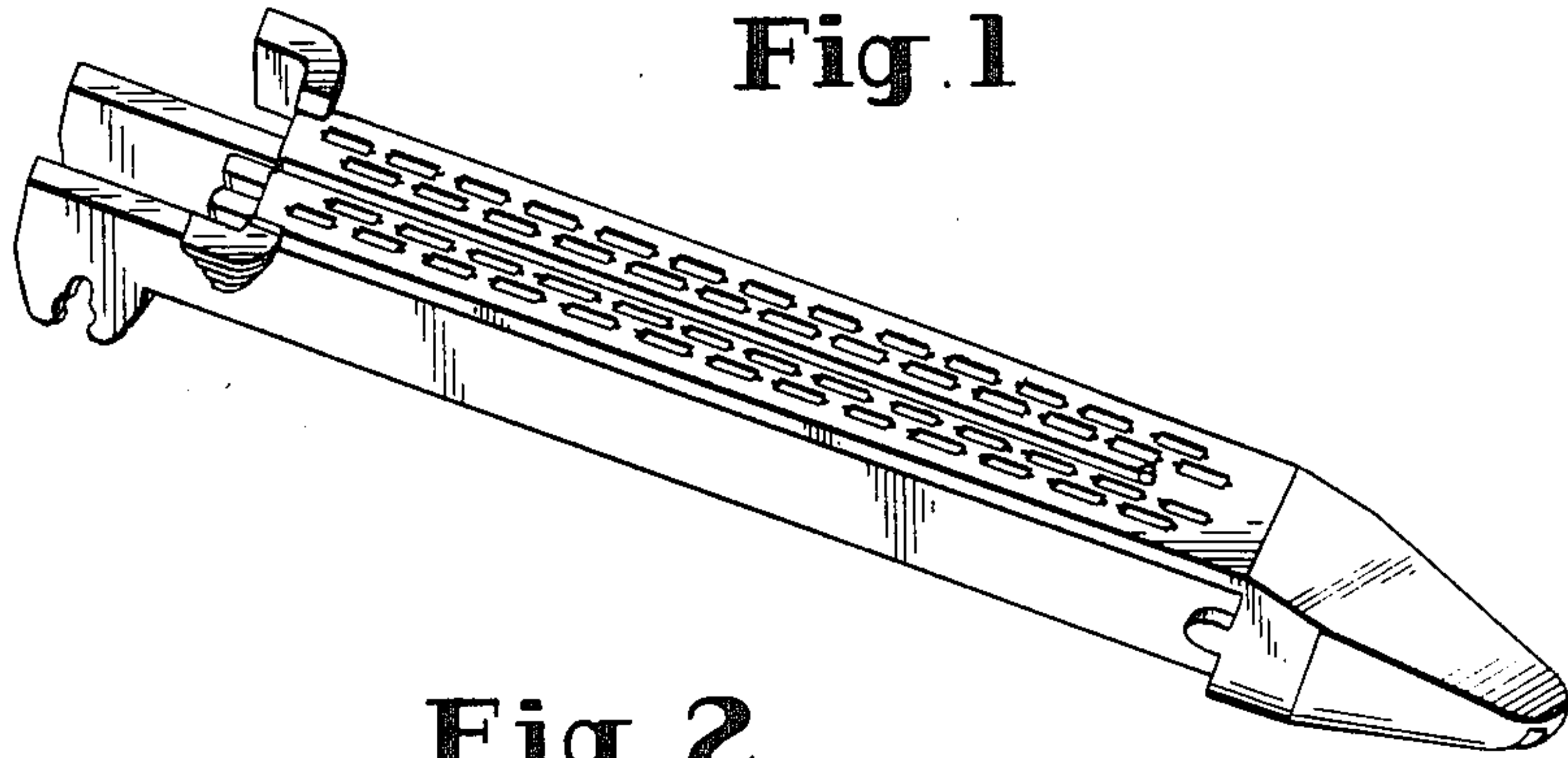


Fig. 2

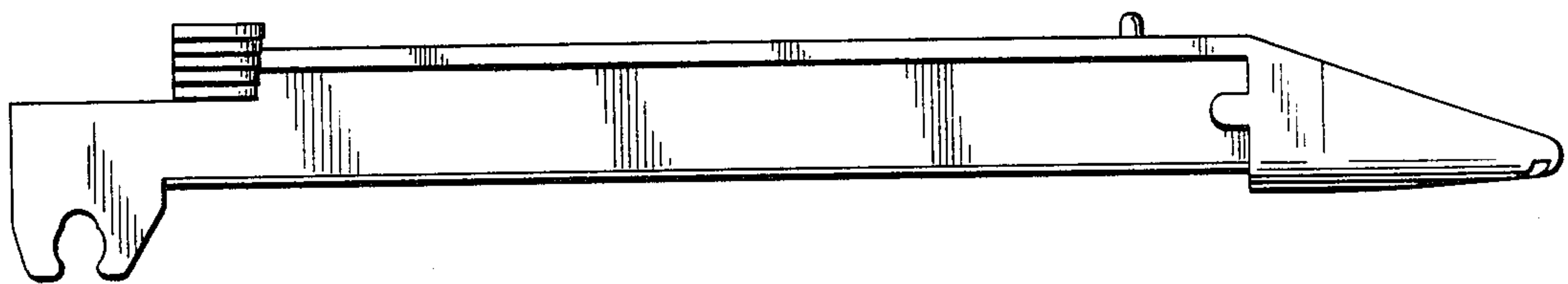


Fig. 3

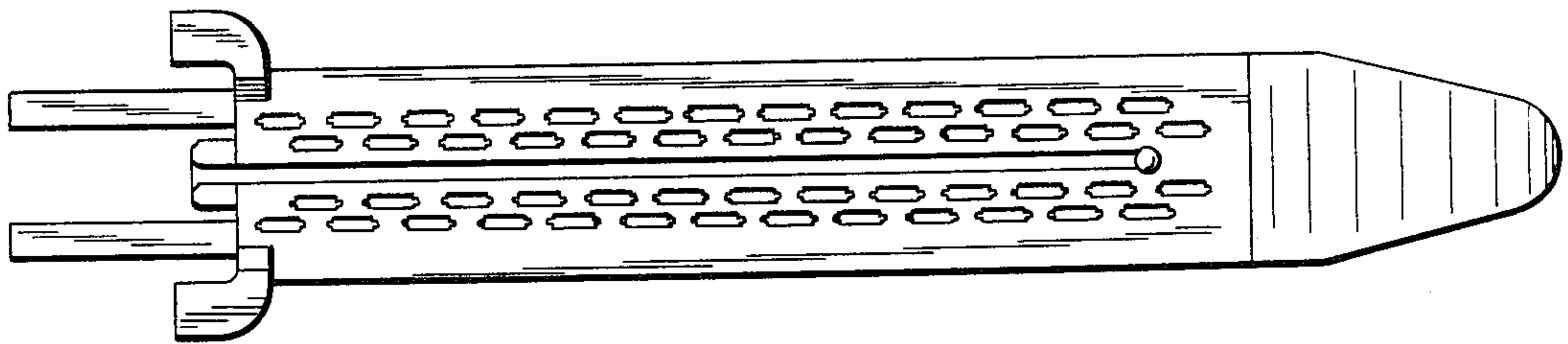


Fig. 4

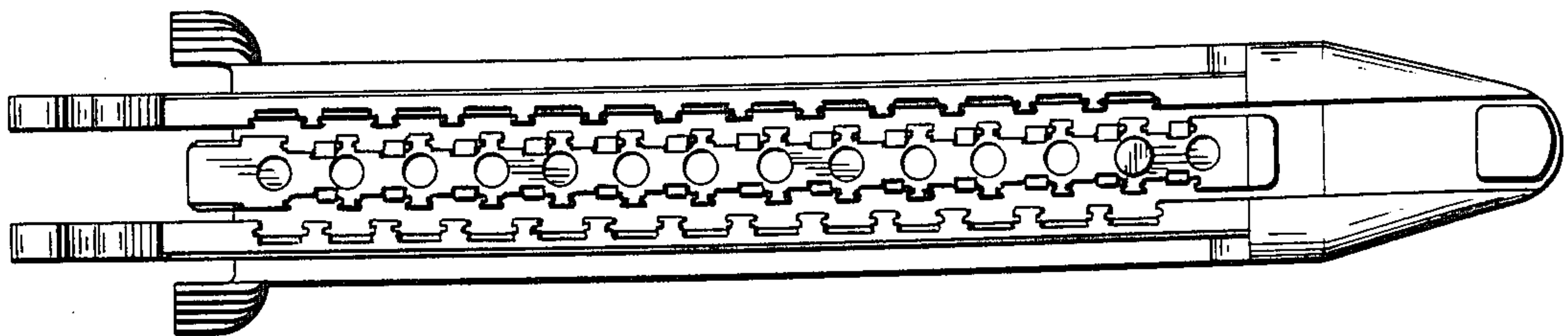


Fig. 5

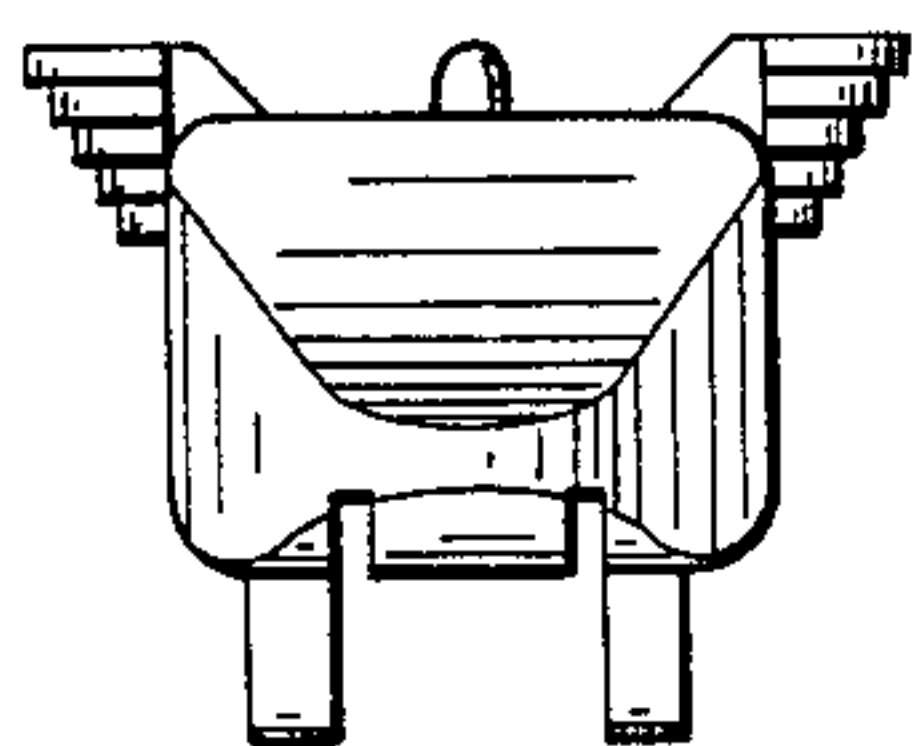


Fig. 6

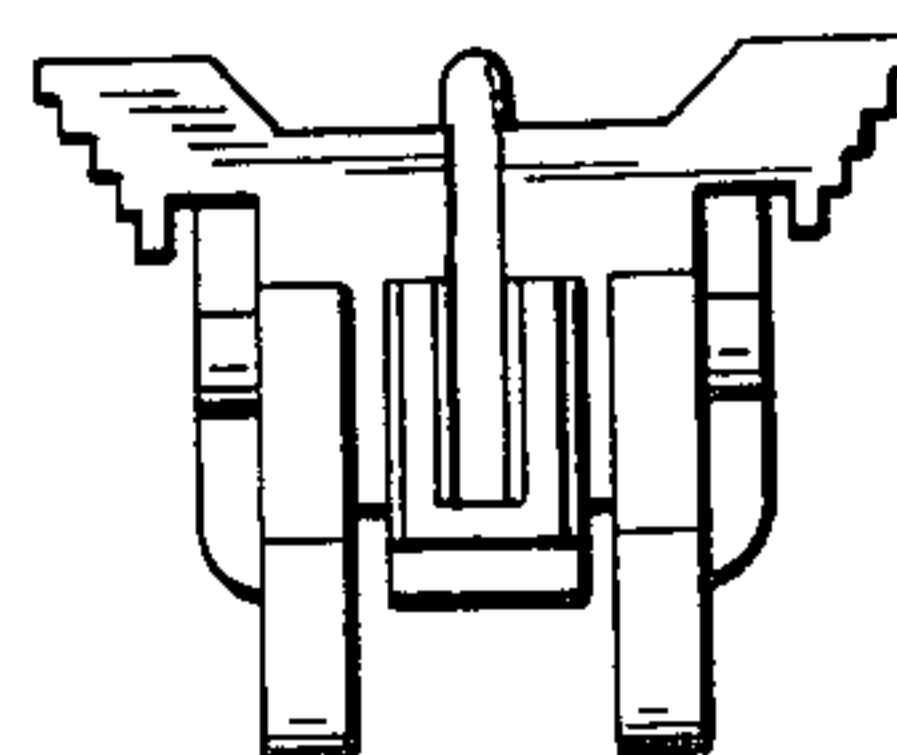


Fig. 7

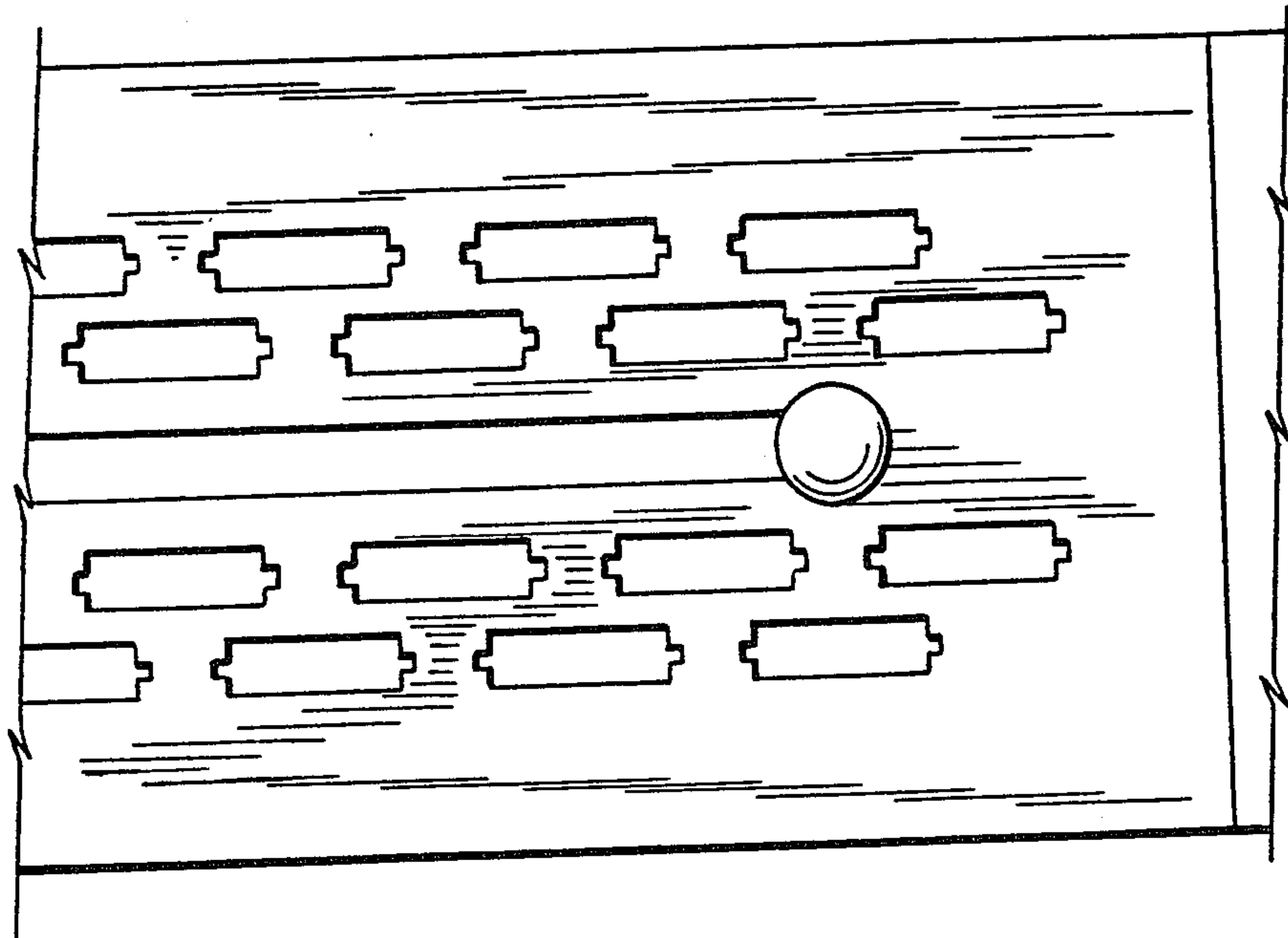


Fig. 8

