

[54] **PATIENT MONITOR**

[75] **Inventor: John C. Daynes, Kirkland, Wash.**

[73] **Assignee: Physio-Control Corporation,
Redmond, Wash.**

[**] **Term: 14 Years**

[21] **Appl. No.: 827,712**

[22] **Filed: Feb. 10, 1986**

[52] **U.S. Cl. D24/17; D24/8**

[58] **Field of Search D24/7, 8, 21; 128/670,
128/661, 662, 688, 689, 710, 711, 712, 419 D,
419 N, 419 P, 667-669, 677-683, 672, 692;
D10/46, 57, 75, 60, 78, 81, 102, 103**

[56] **References Cited**

U.S. PATENT DOCUMENTS

D. 238,905 2/1976 Sokol D24/17
D. 247,251 2/1978 Napoli D24/17
D. 269,810 7/1983 Mace et al. D24/17

D. 286,815 11/1986 Graumann D24/21
D. 287,052 12/1986 Ayoy et al. D24/21

Primary Examiner—Wallace R. Burke
Assistant Examiner—Stella M. Reid
Attorney, Agent, or Firm—Christensen, O'Connor,
Johnson & Kindness

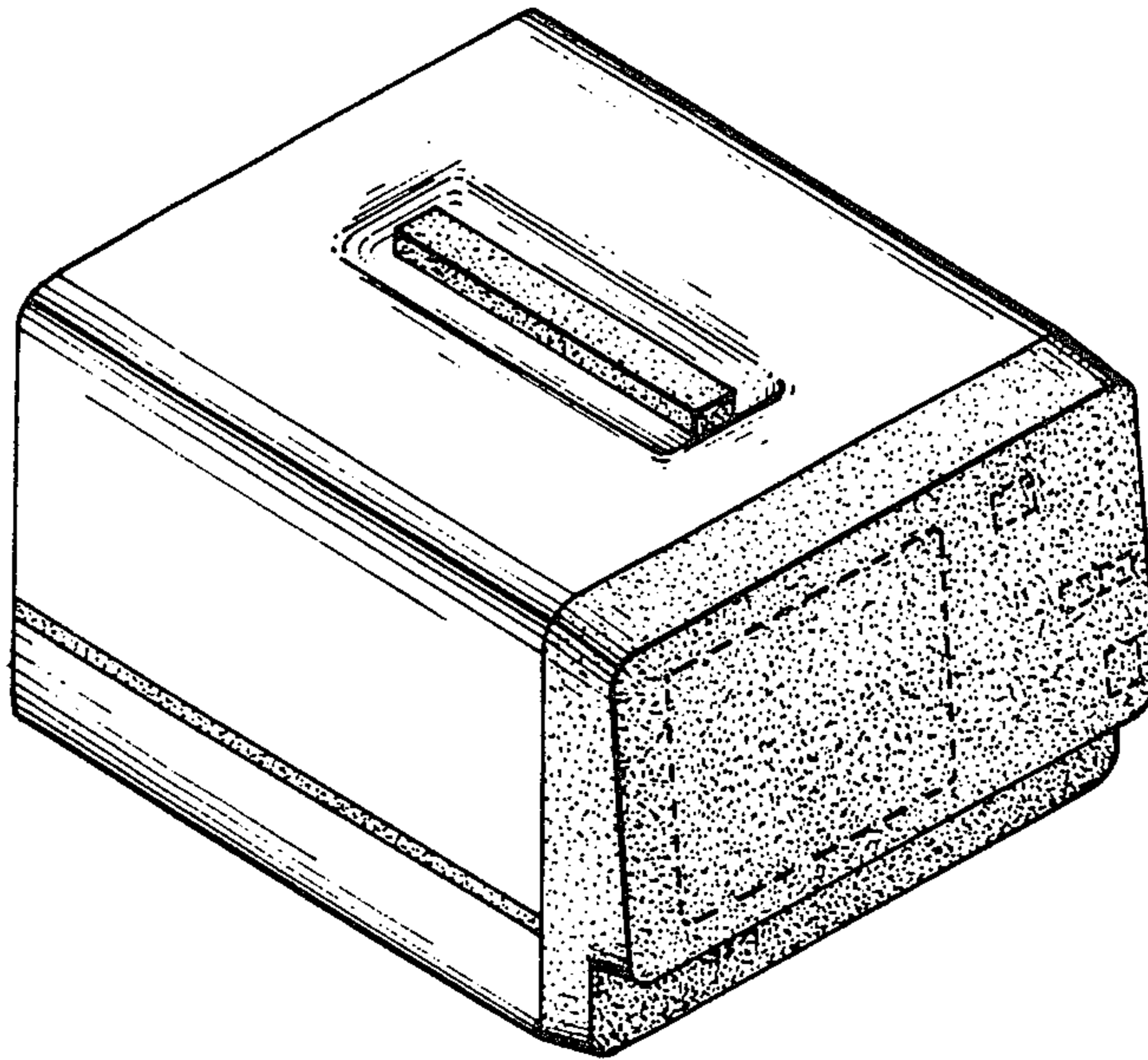
[57] **CLAIM**

The ornamental design for a patient monitor, as shown and described.

DESCRIPTION

FIG. 1 is a front perspective view of a patient monitor showing my new design;
FIG. 2 is a left side elevational view thereof;
FIG. 3 is a front elevational view thereof;
FIG. 4 is a rear elevational view thereof;
FIG. 5 is a top plan view thereof; and
FIG. 6 is a bottom plan view thereof.

The broken line showing of the display, controls and connector on the monitor is for illustrative purposes only and forms no part of the claimed design.



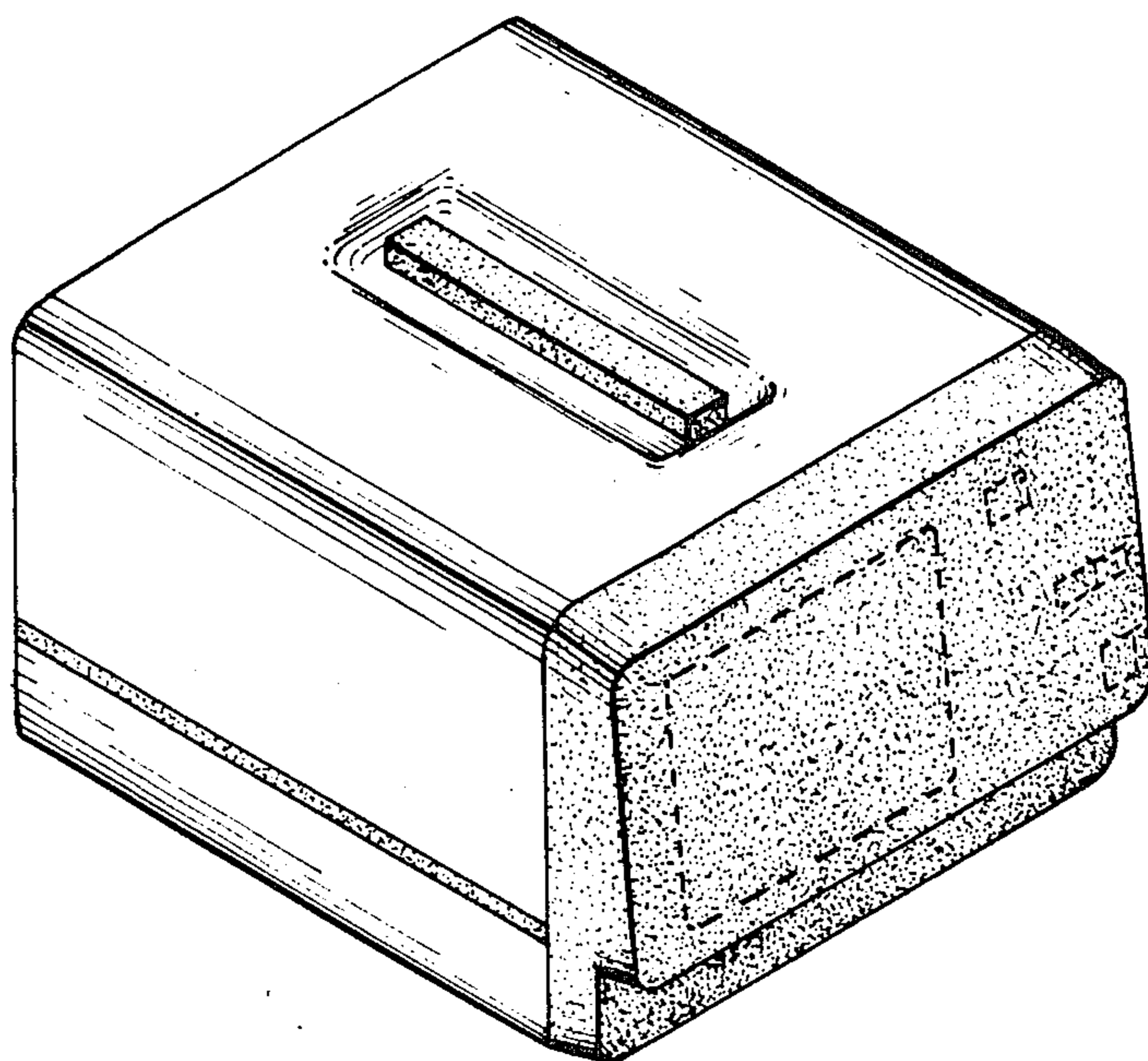


Fig. 1.

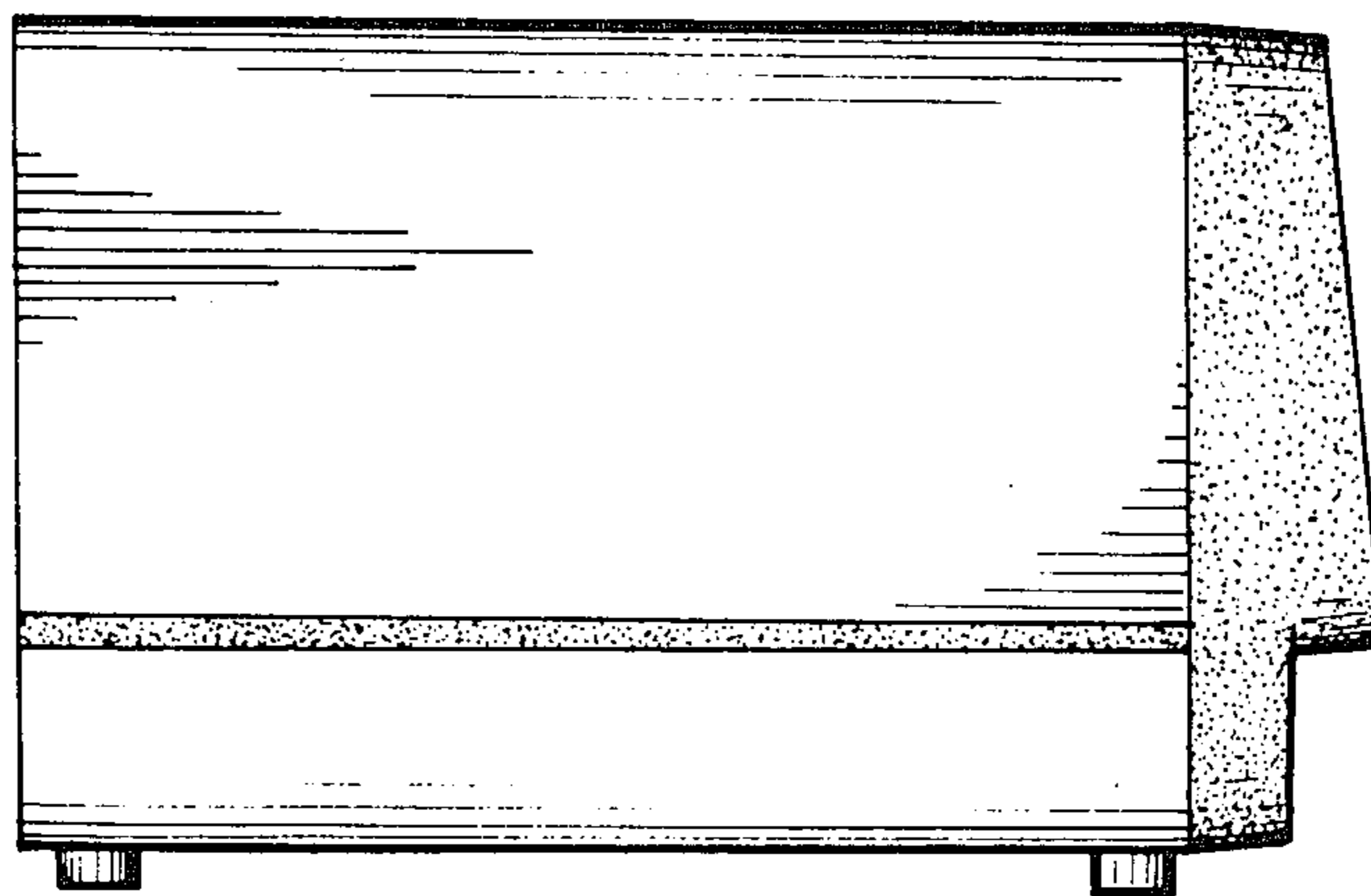


Fig. 2.

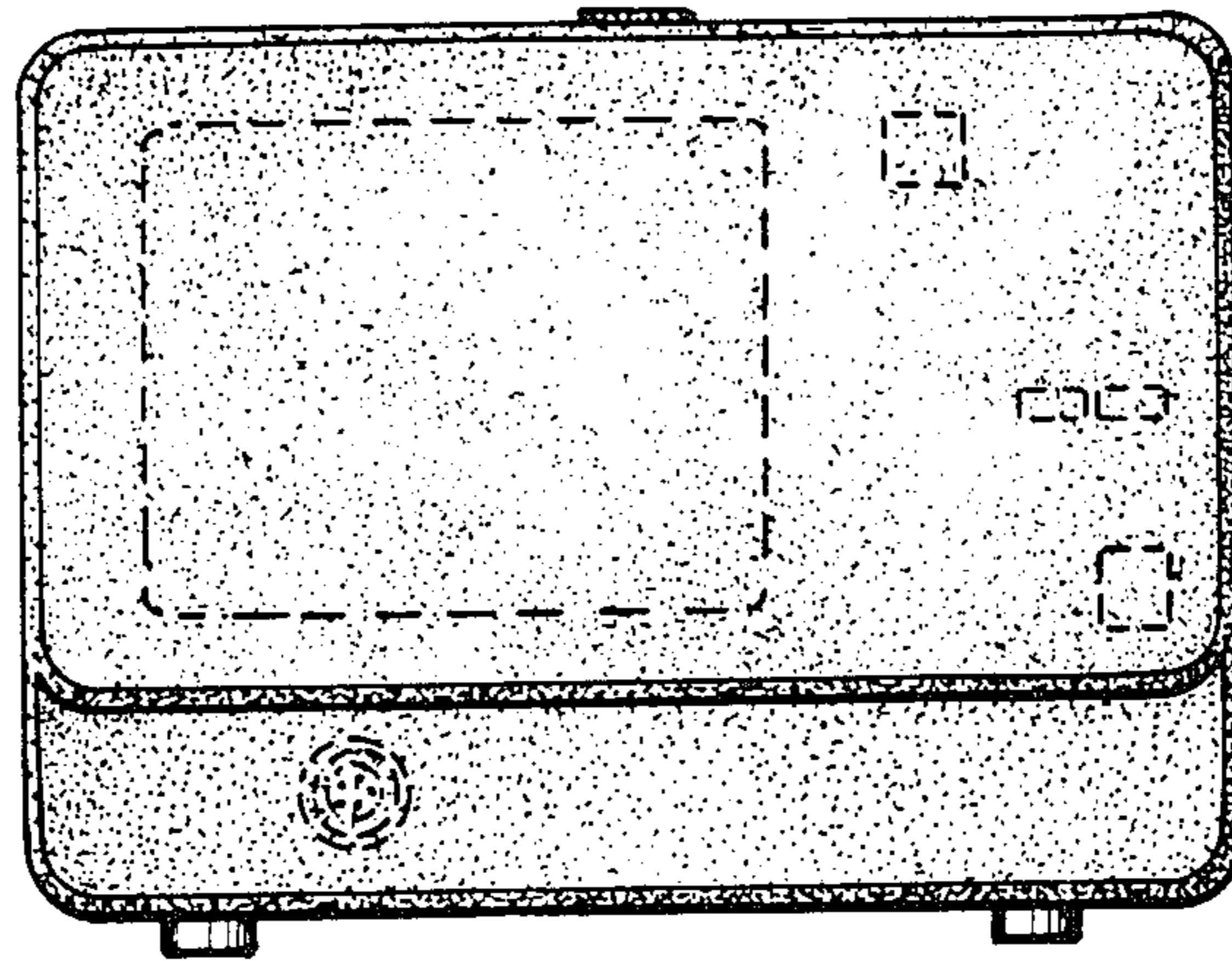


Fig. 3.

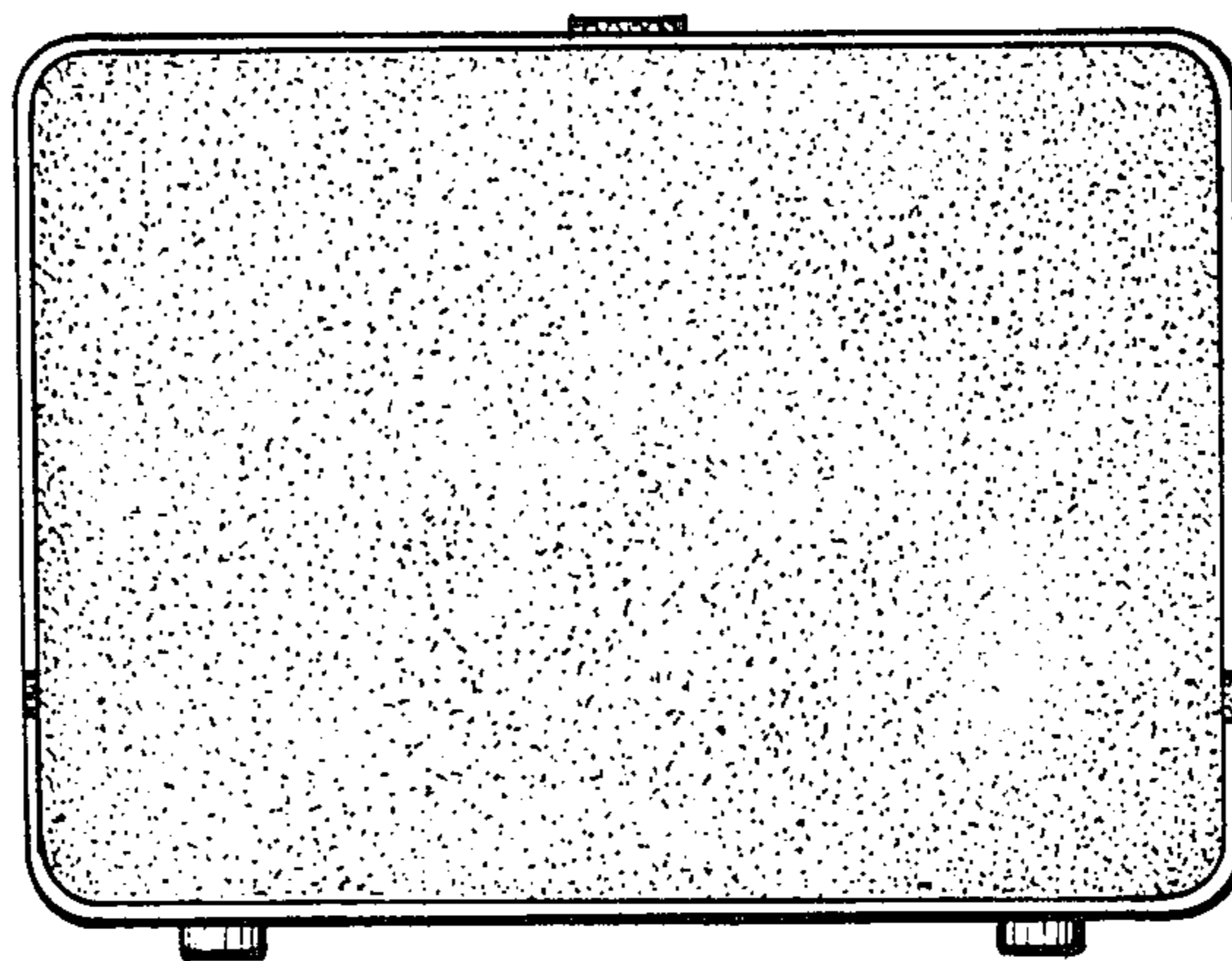


Fig. 4.

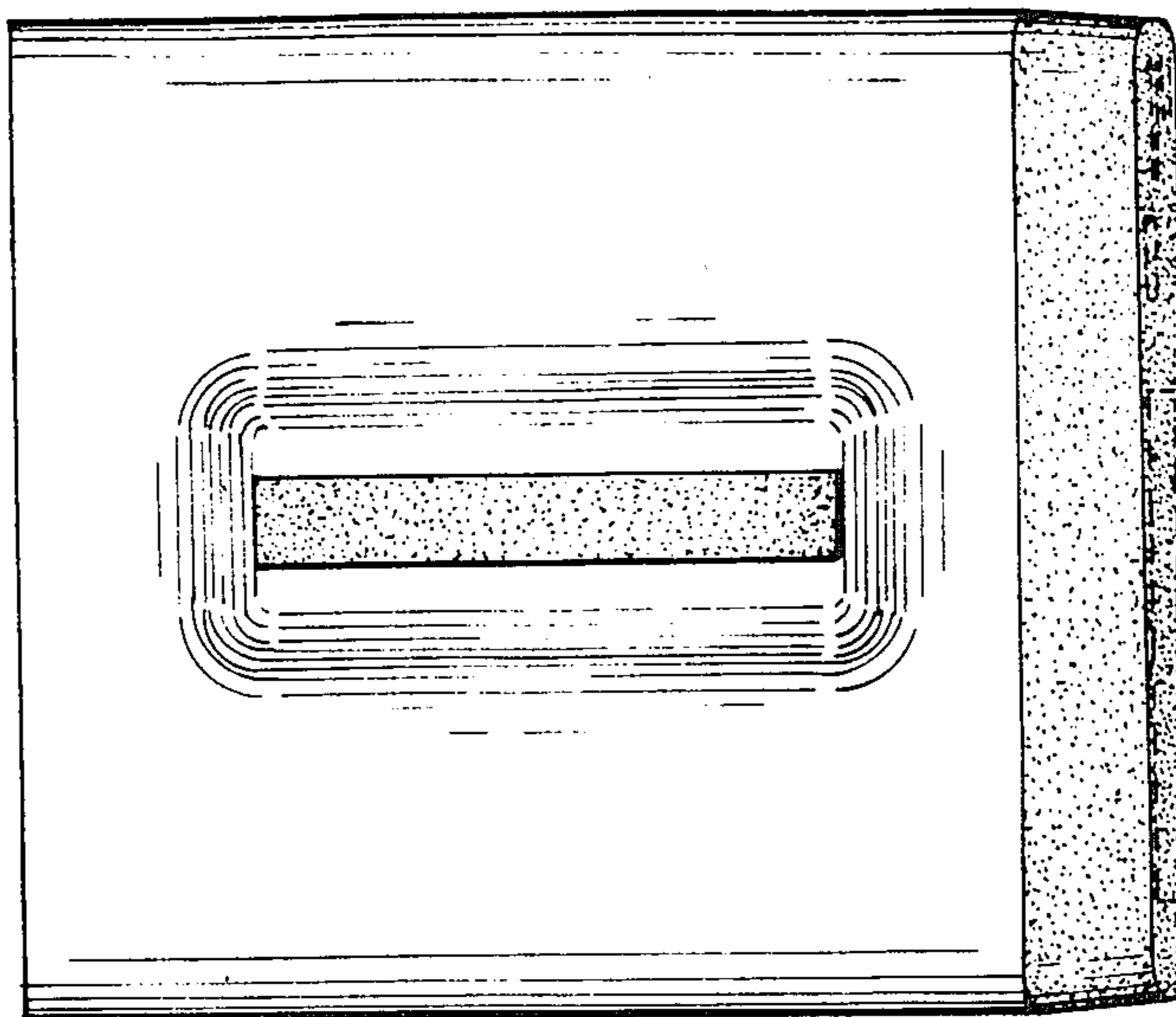


Fig. 5.

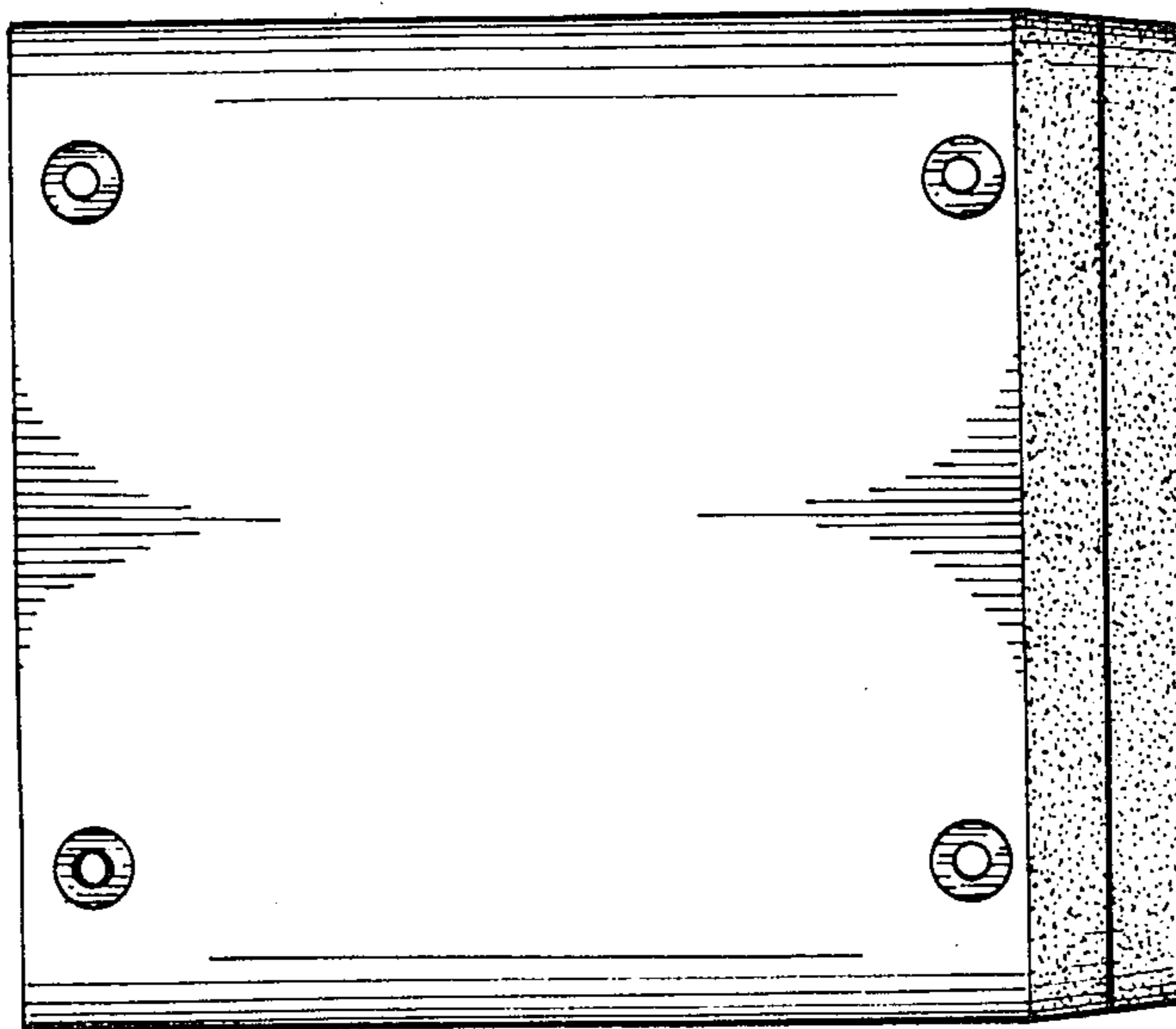


Fig. 6.