

[54] DENTAL FLASK

D. 97,964 12/1935 Trusler ..... D24/10  
2,899,707 8/1959 McGowan ..... D24/10 X

[75] Inventor: Yasutaro Ito, Tokyo, Japan

Primary Examiner—Wallace R. Burke  
Assistant Examiner—Brian N. Vinson  
Attorney, Agent, or Firm—Oblon, Fisher, Spivak,  
McClelland & Maier

[73] Assignee: G-C Dental Industrial Corp., Tokyo, Japan

[\*\*] Term: 14 Years

[21] Appl. No.: 916,856

[57] CLAIM

[22] Filed: Oct. 8, 1986

The ornamental design for a dental flask, as shown and described.

[30] Foreign Application Priority Data

DESCRIPTION

Apr. 18, 1986 [JP] Japan ..... 61-14213

[52] U.S. Cl. .... D24/10

[58] Field of Search ..... D24/10-16;  
433/167, 199.1, 213, 229, 49, 77

FIG. 1 is a front elevational view of a dental flask embodying my new design;  
FIG. 2 is a rear elevational view thereof;  
FIG. 3 is a top plan view thereof;  
FIG. 4 is a bottom plan view thereof;  
FIG. 5 is a left side elevational view thereof;  
FIG. 6 is a right side elevational view thereof; and  
FIG. 7 is a bottom perspective view thereof.

[56] References Cited

U.S. PATENT DOCUMENTS

D. 54,425 2/1920 Lewis ..... D24/10

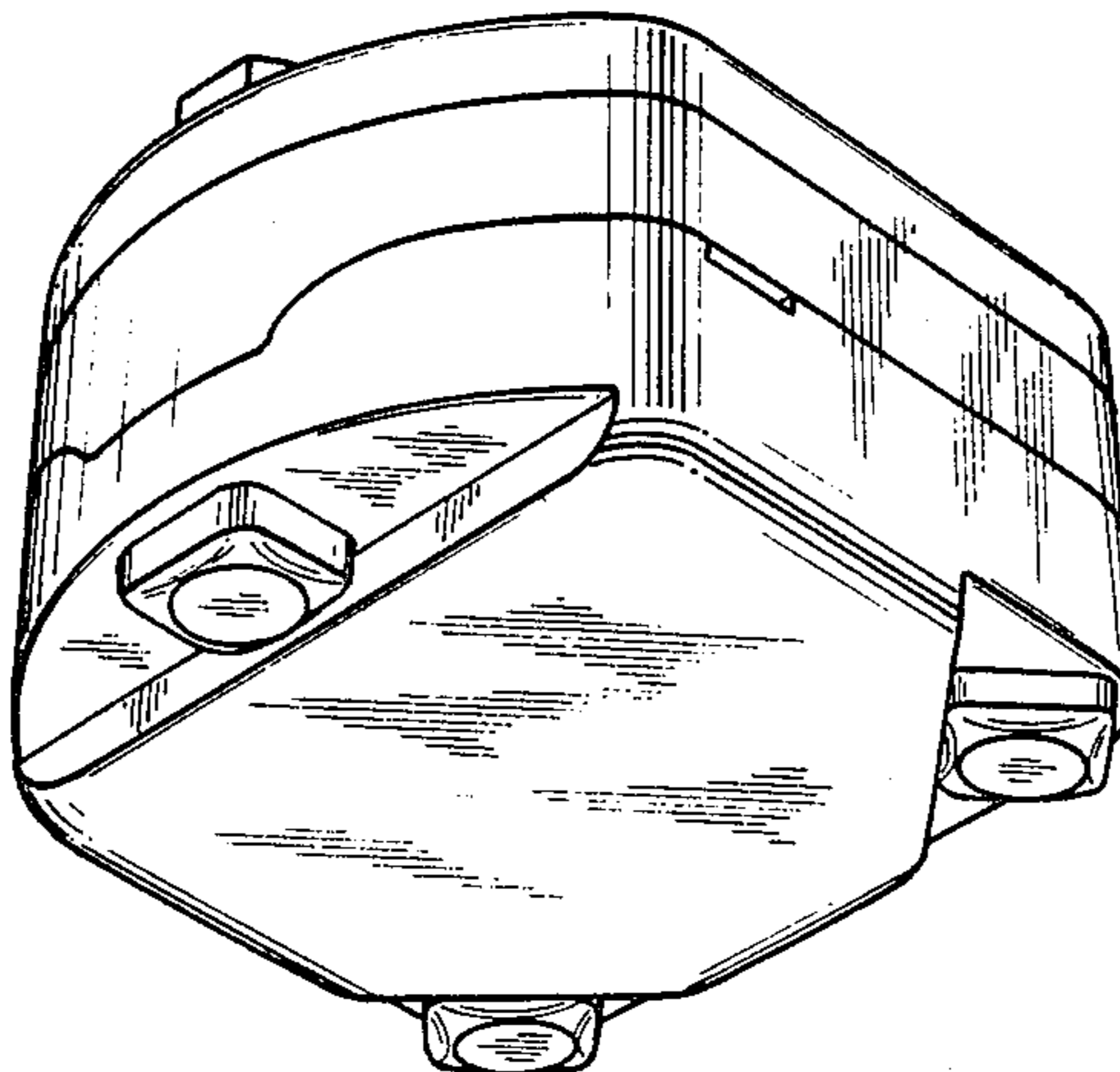
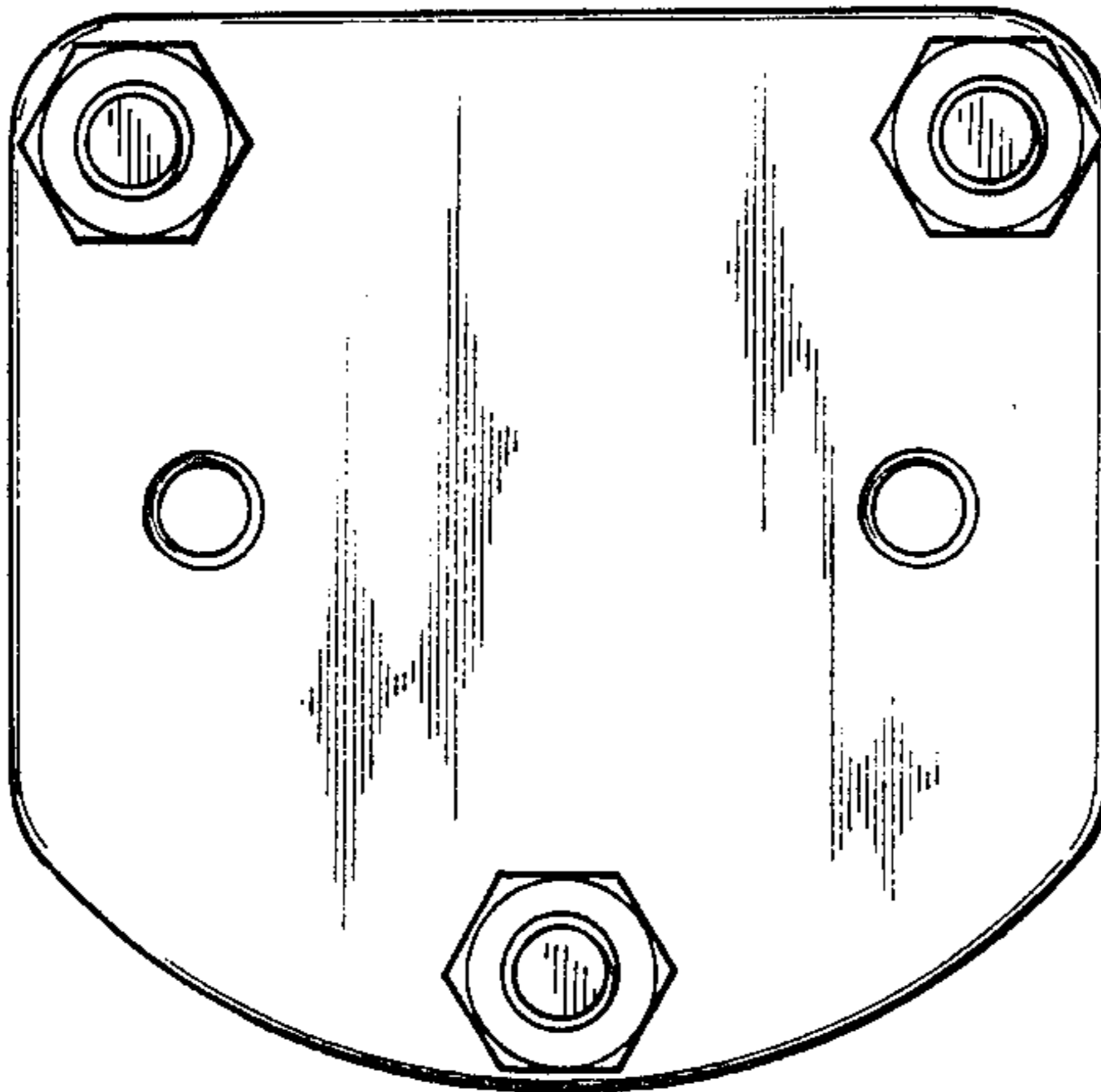


FIG. 1

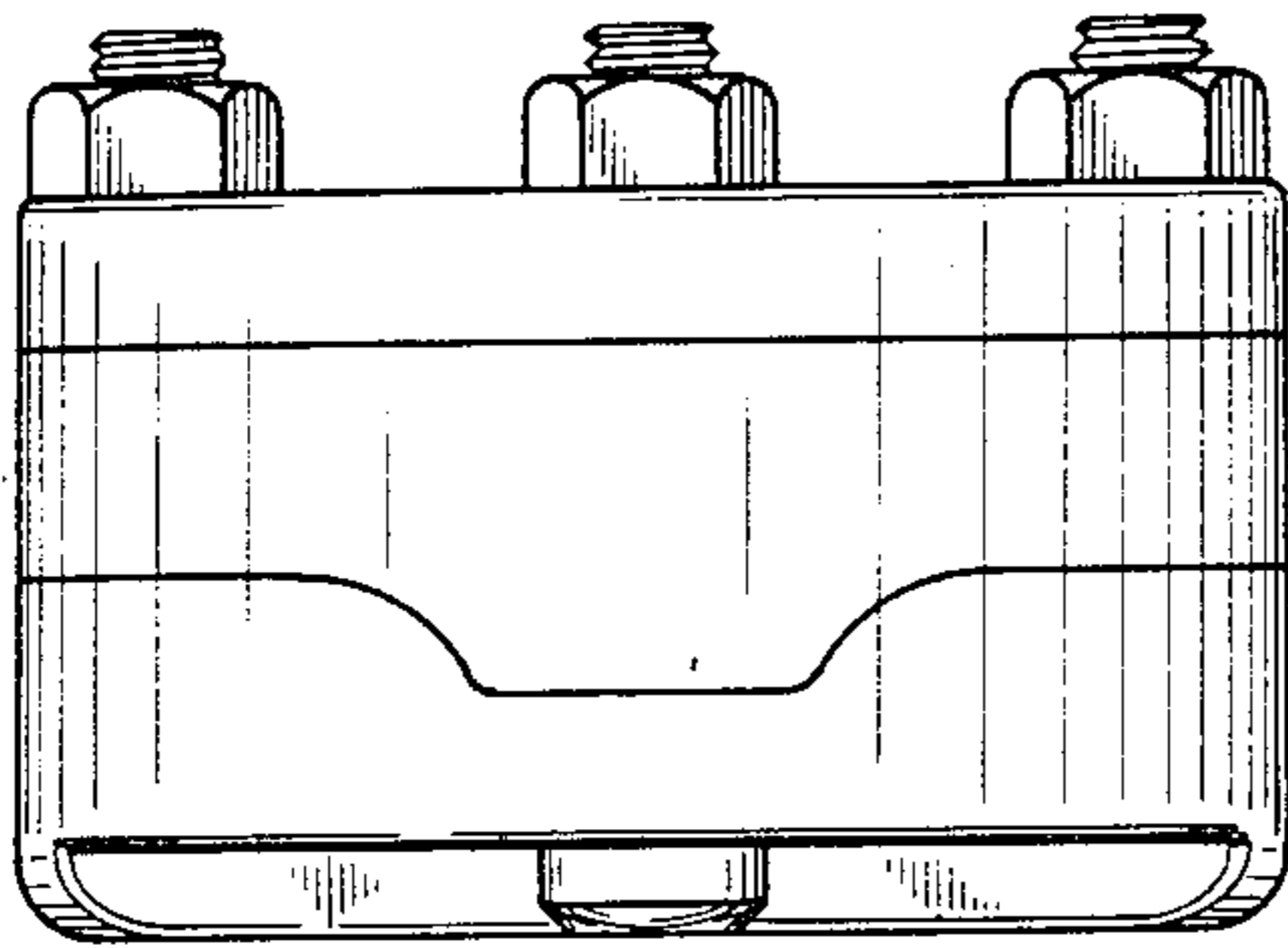


FIG. 2

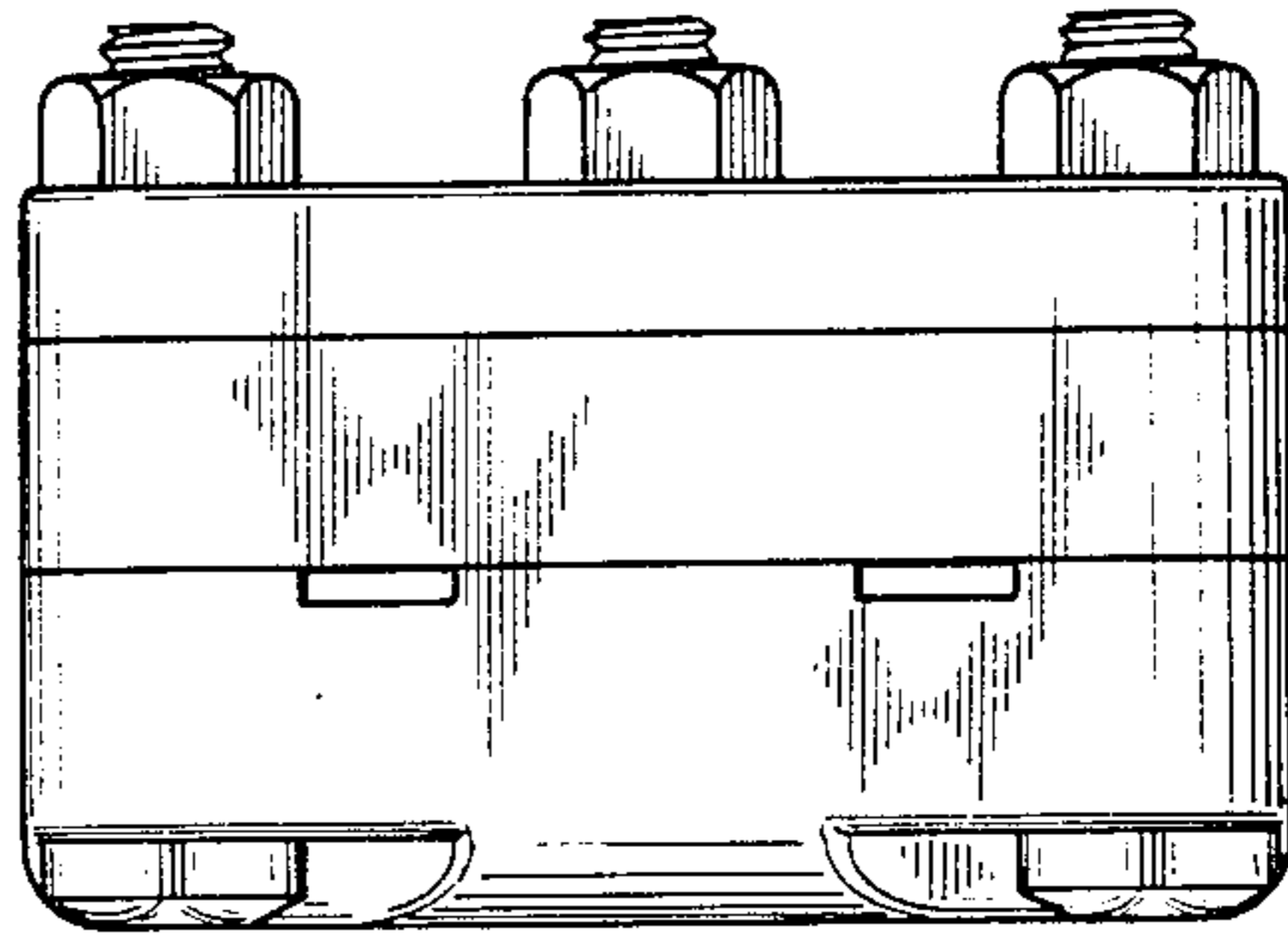


FIG. 3

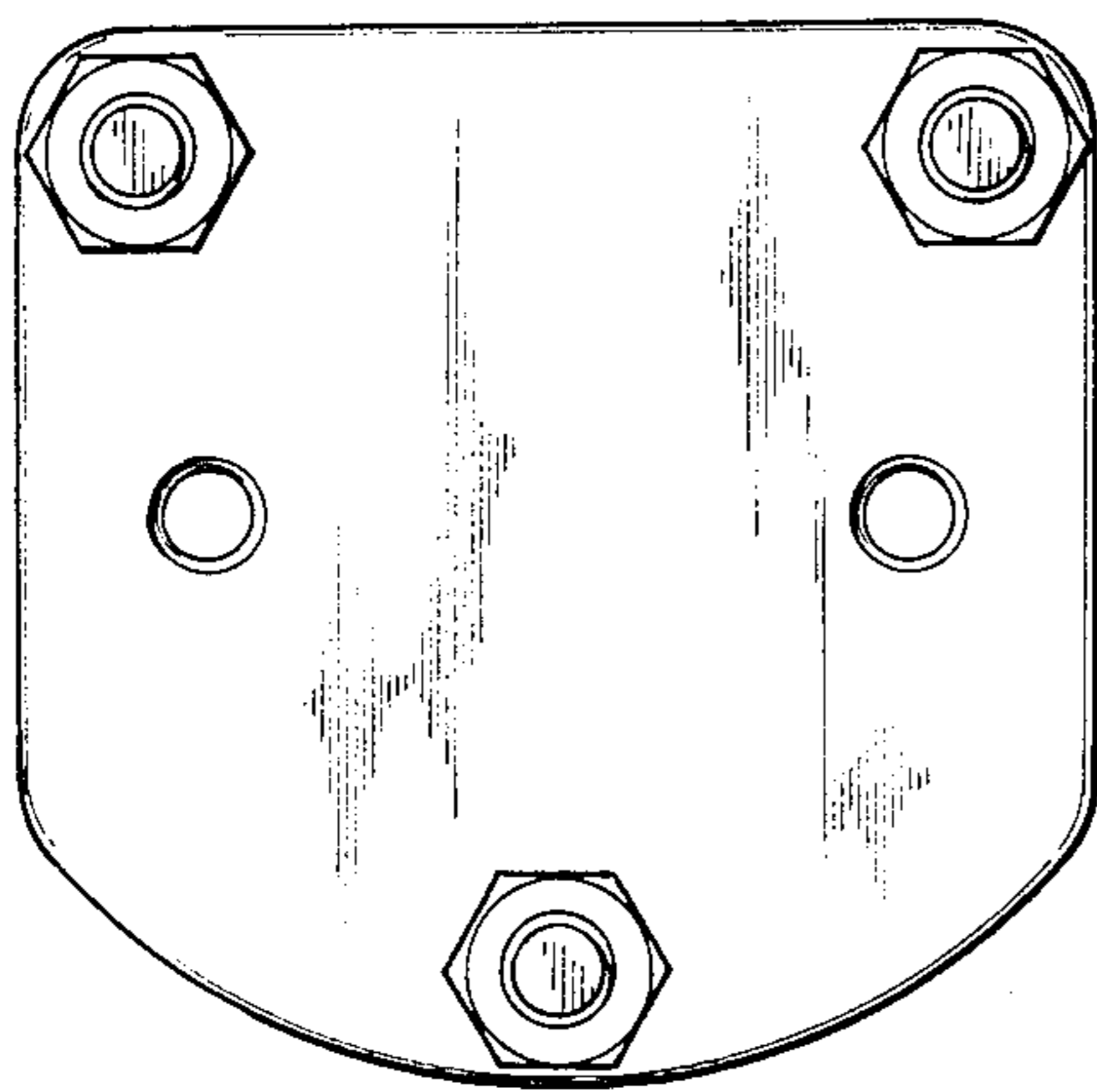


FIG. 4

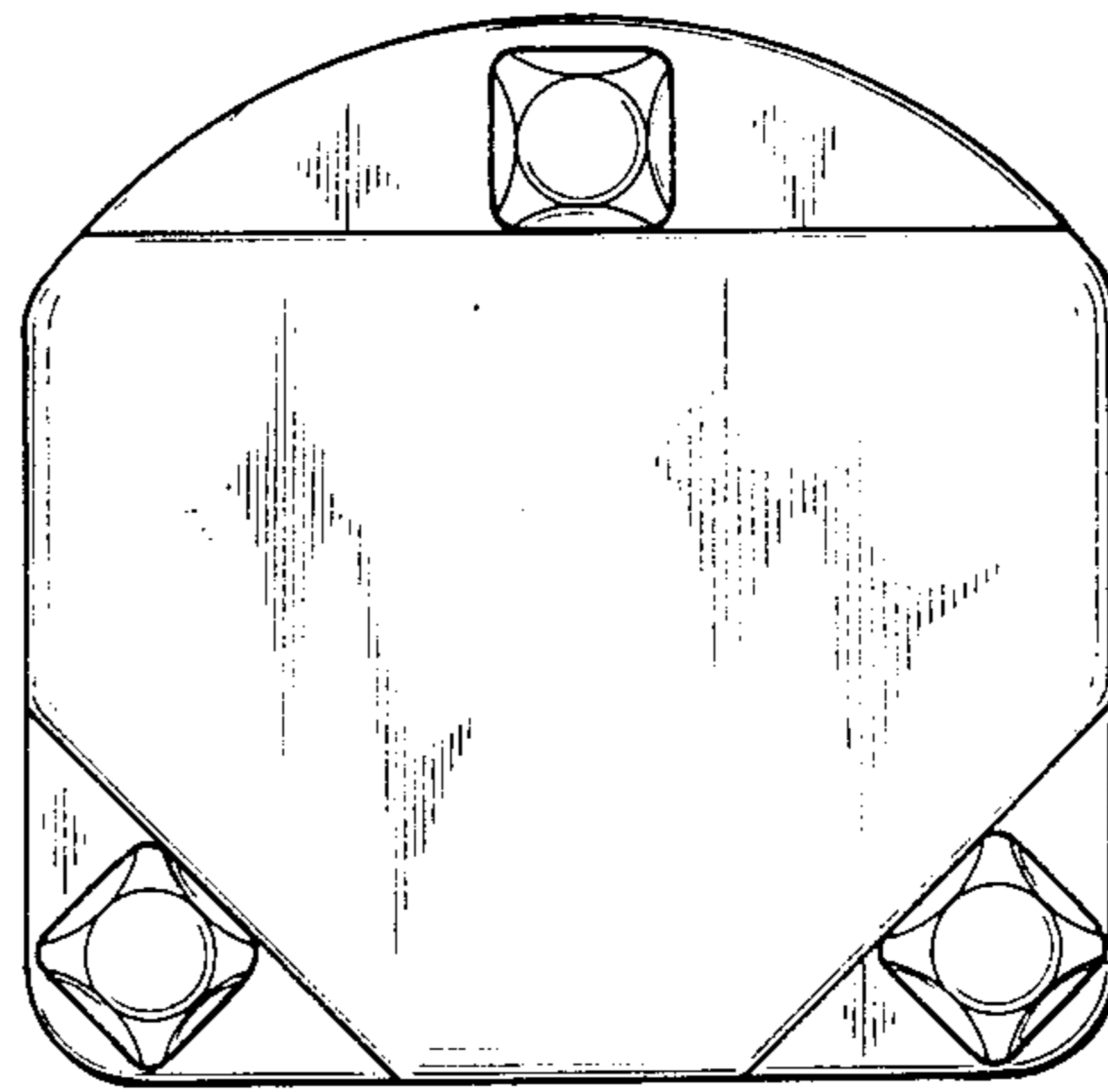


FIG. 5

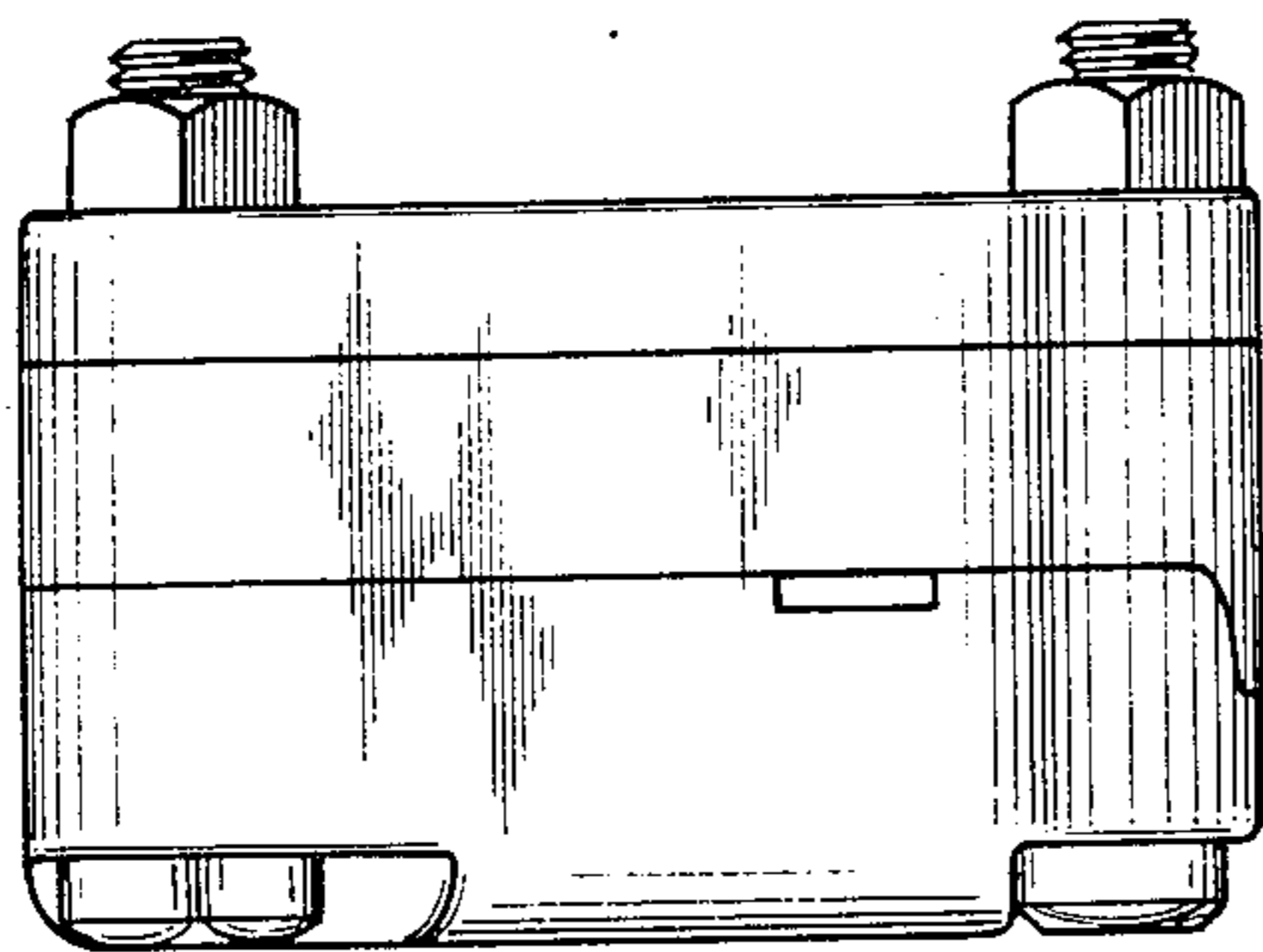


FIG. 6

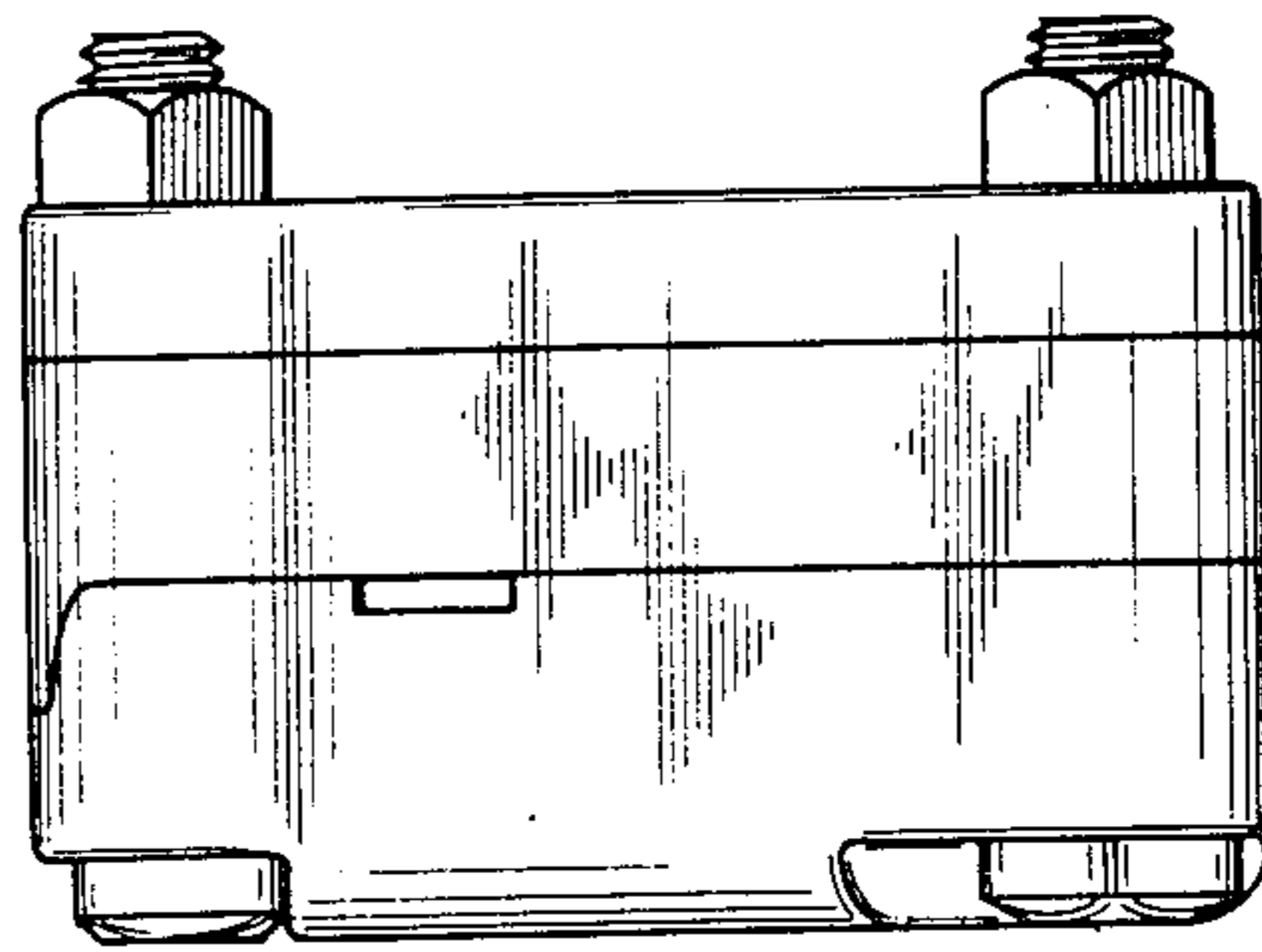


FIG. 7

