

[54] **FLUID FITTING**

[76] **Inventor: Edson C. Kerschke, 3030 N. Larch La., Plymouth, Minn. 55441**

[\*\*] **Term: 14 Years**

[21] **Appl. No.: 806,355**

[22] **Filed: Nov. 25, 1985**

[52] **U.S. Cl. .... D23/266**

[58] **Field of Search ..... D23/259-269; 285/235, 245, 246, 354; 138/109, 123**

[56] **References Cited**

**U.S. PATENT DOCUMENTS**

D. 180,850	8/1957	Stahl	.....	D23/266
1,233,644	7/1917	Clark	.....	285/246
1,262,263	4/1918	Rust	.....	285/354
2,037,350	4/1936	Tabozzi	.....	285/245
2,420,153	5/1947	Sprenger et al.	.....	285/235
2,829,671	4/1958	Ernst et al.	.....	285/245
4,159,027	6/1979	Caillet	.....	138/123

*Primary Examiner*—James R. Largen  
*Attorney, Agent, or Firm*—Henry C. Kovar

[57] **CLAIM**

The ornamental design for a fluid fitting, as shown and described.

**DESCRIPTION**

FIG. 1 is a side elevational view of a fluid fitting showing my new design, the other sides being the same as the side shown;

FIG. 2 is an elevational view taken from one end thereof;

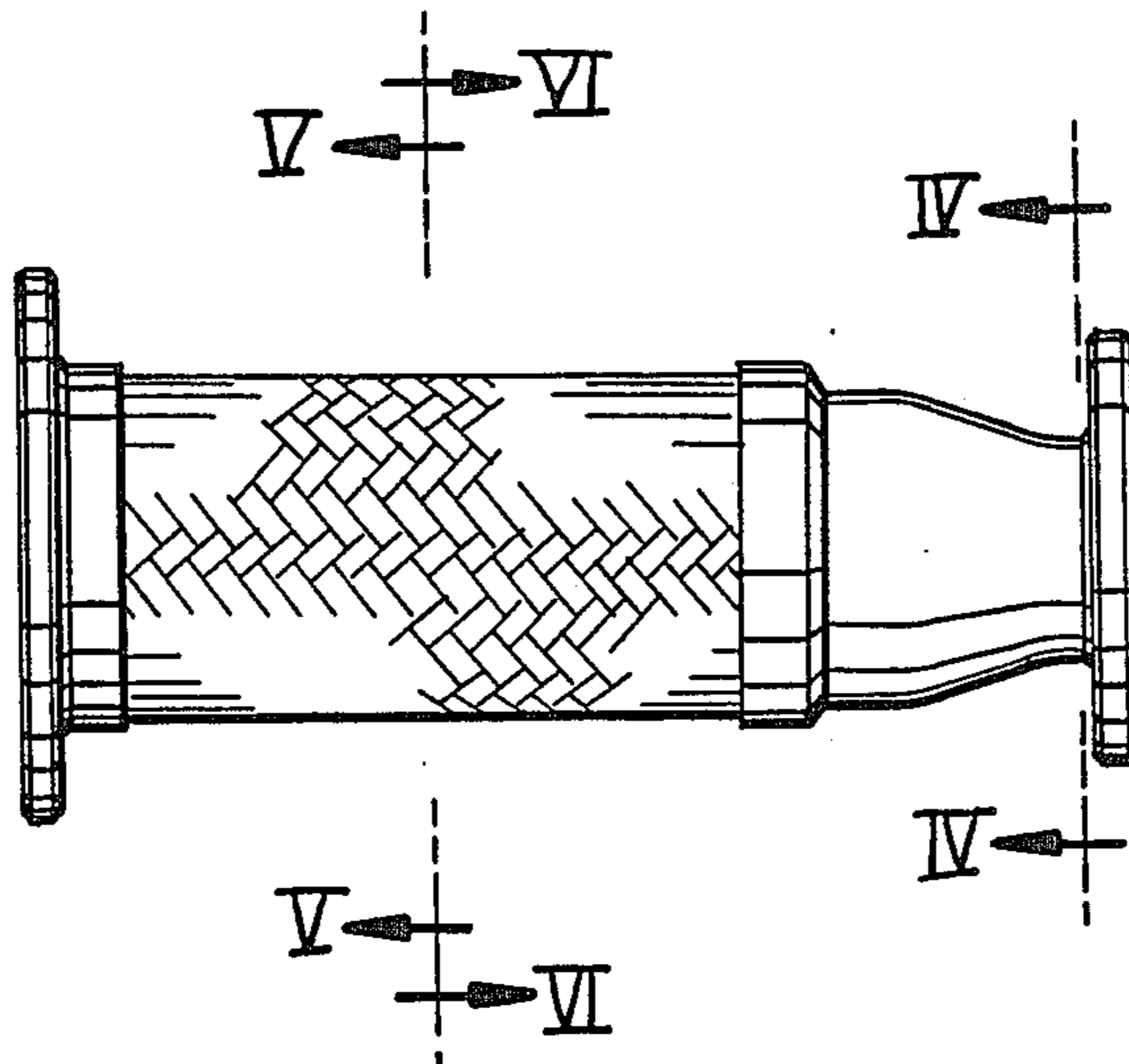
FIG. 3 is an elevational view taken from the end opposite that shown in FIG. 2;

FIG. 4 is a cross-sectional view taken on line IV—IV of FIG. 1;

FIG. 5 is a cross sectional view taken on line V—V of FIG. 1; and

FIG. 6 is a cross sectional view taken on line VI—VI of FIG. 1.

It is to be understood that the woven fabric is continuous throughout the area indicated in FIG. 1.



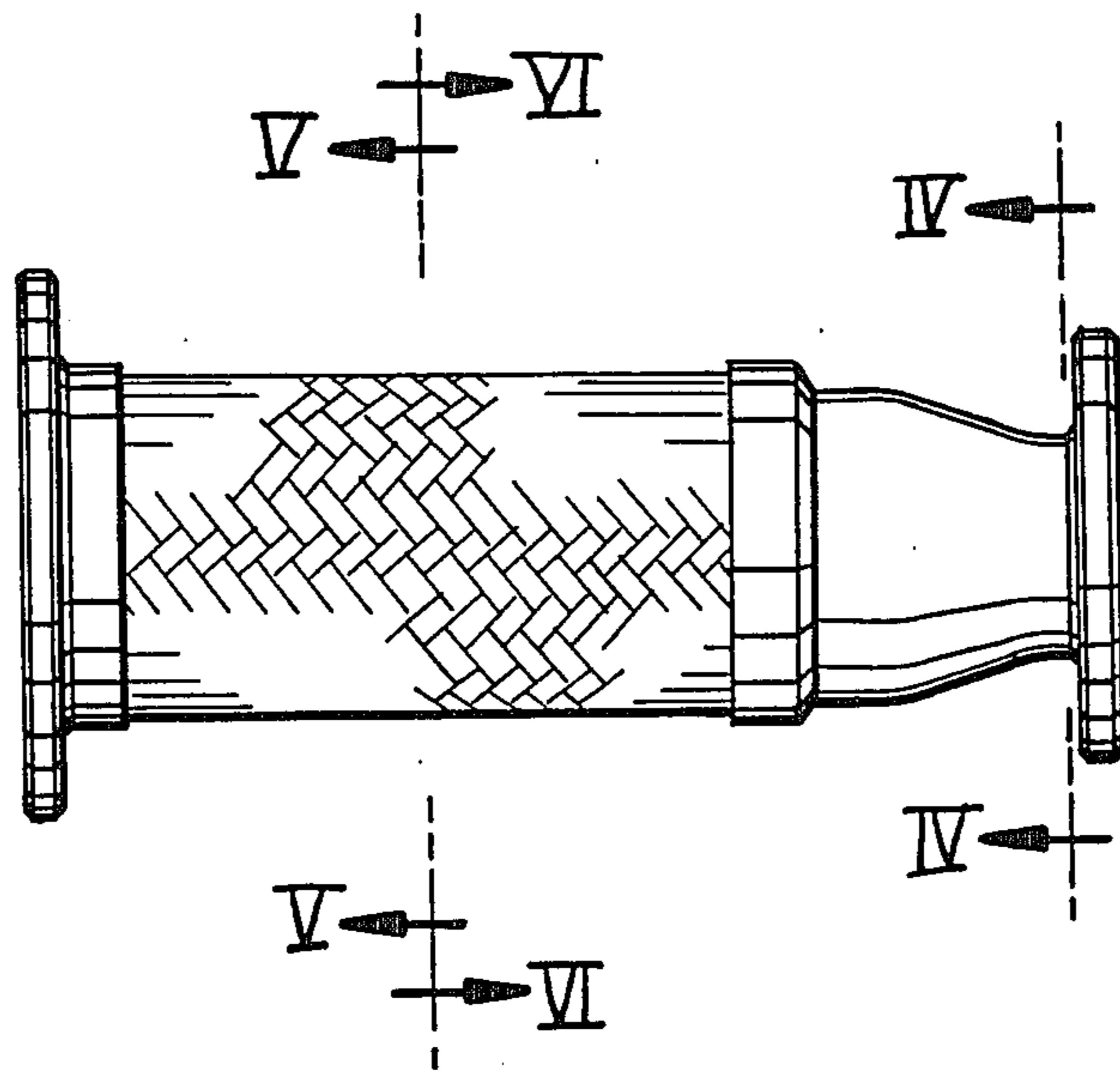


FIG. 1

FIG. 2

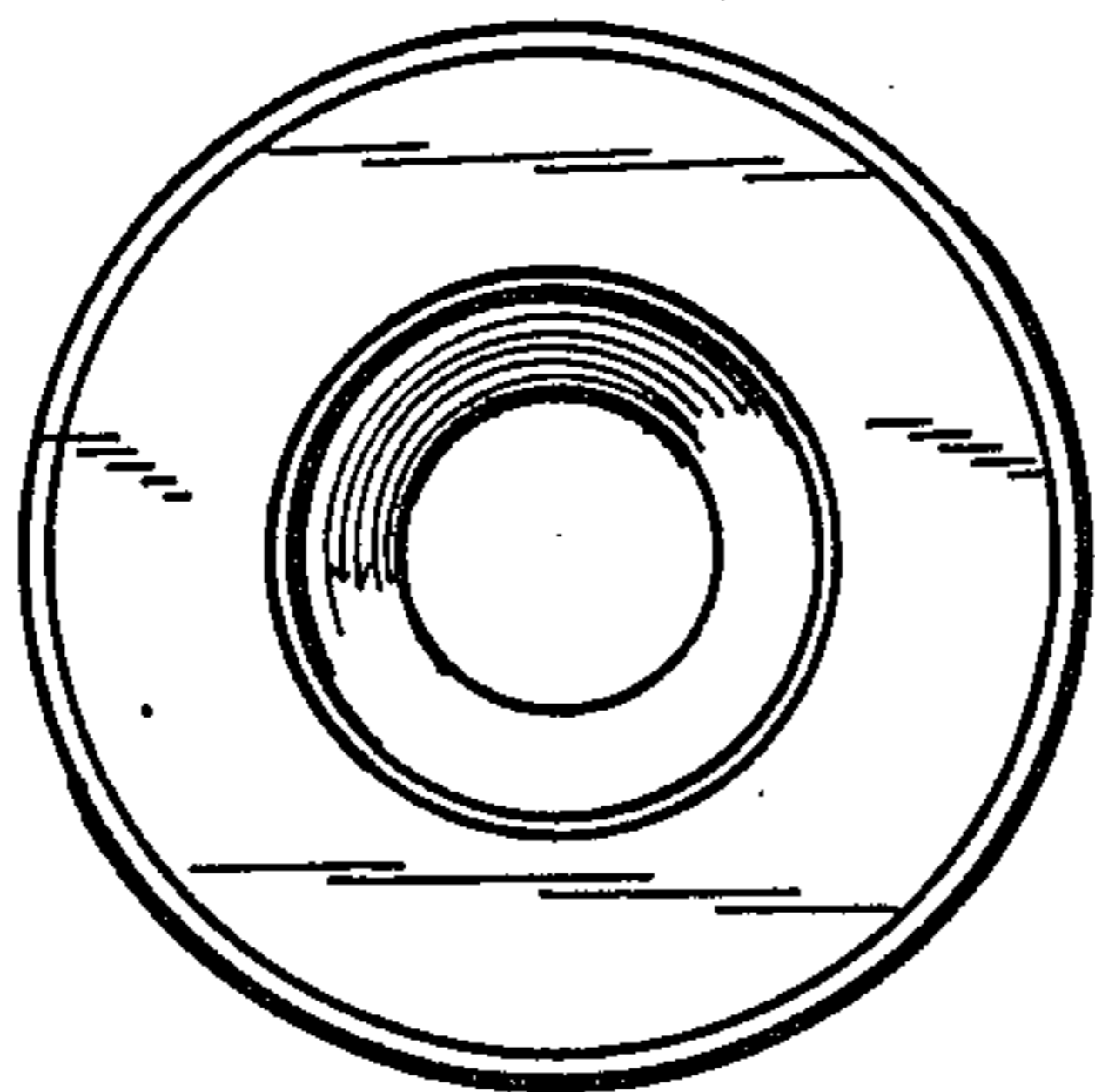


FIG. 3

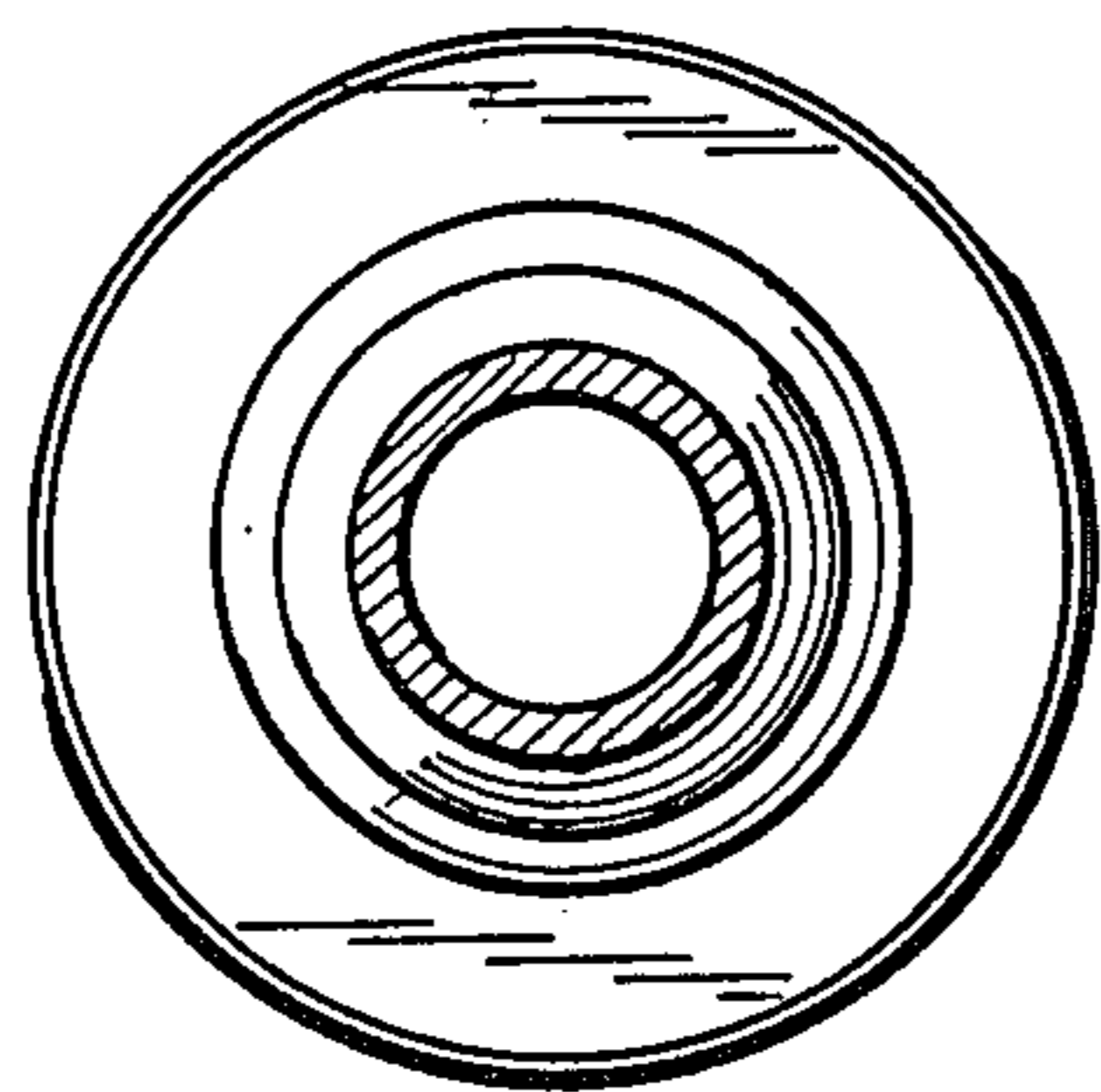
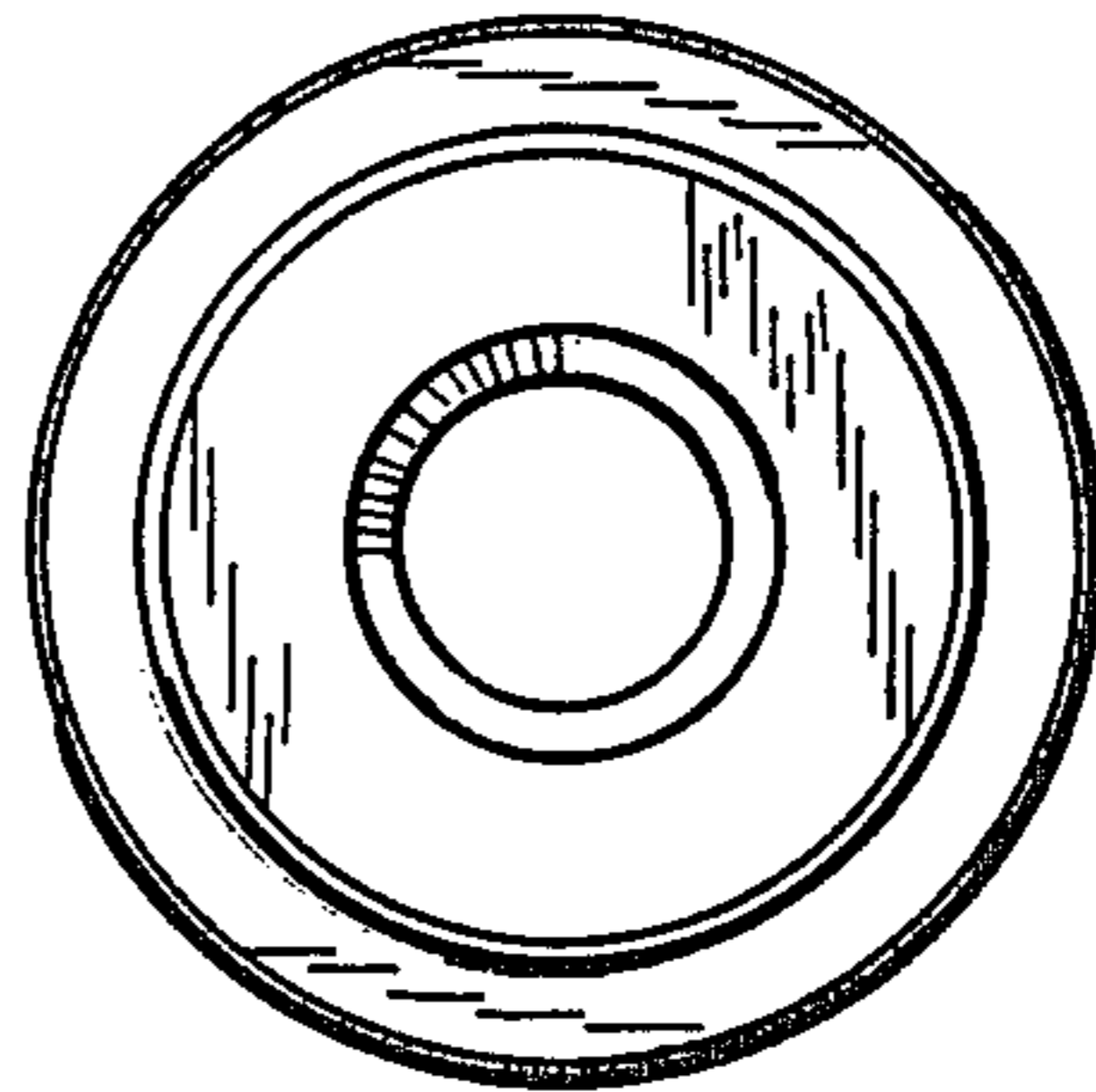


FIG. 4

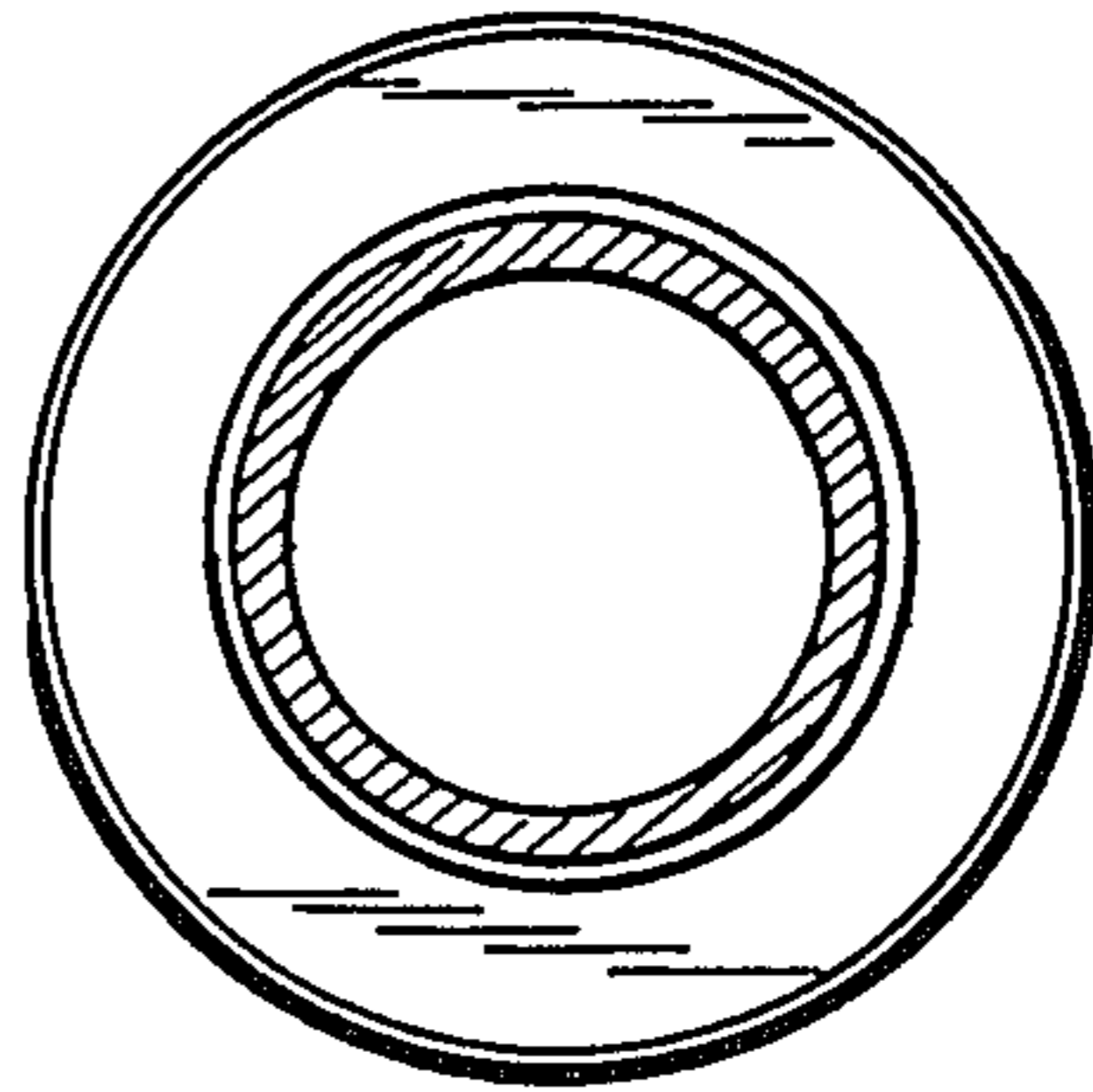


FIG. 5

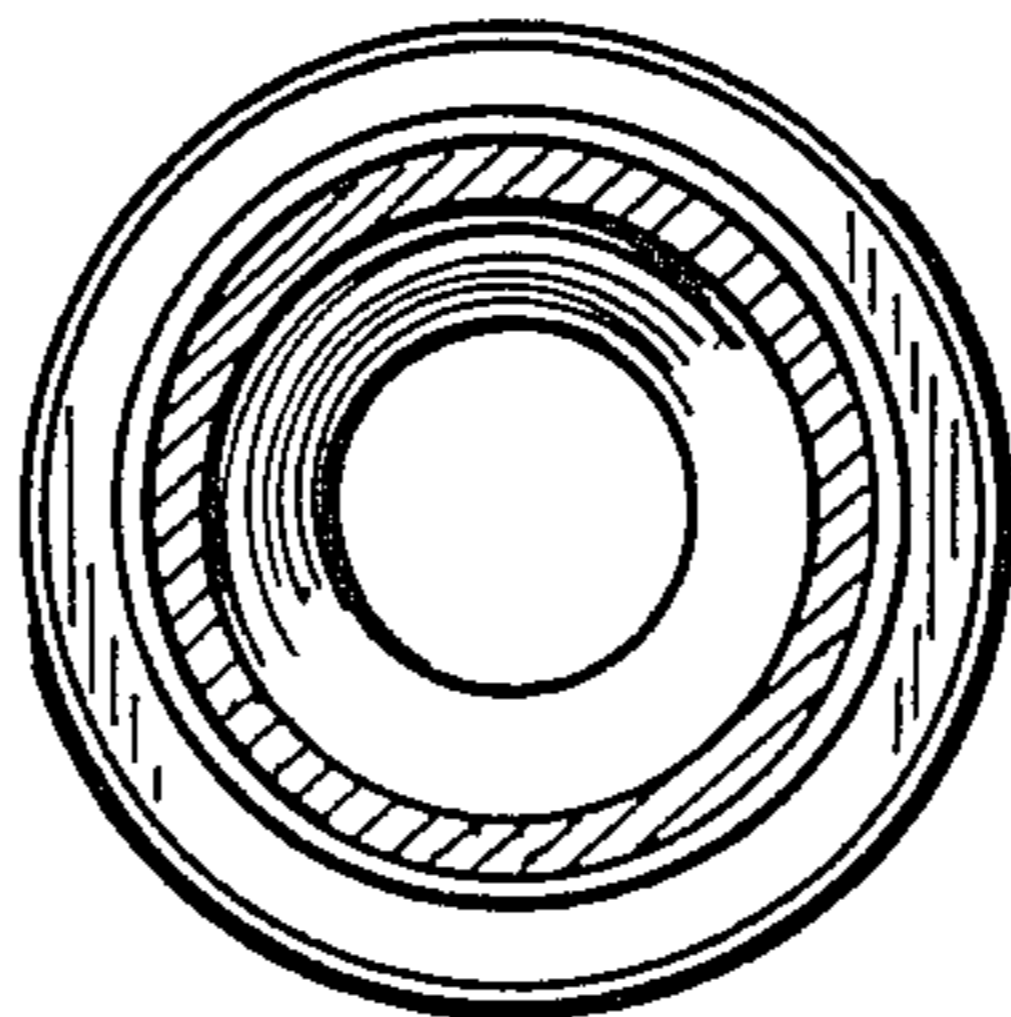


FIG. 6