

[54] **FAUCET HANDLE**

[75] **Inventor: Stanley M. Paul, Rye, N.Y.**

[73] **Assignee: Paul Associates, Inc., Long Island City, N.Y.**

[**] **Term: 14 Years**

[21] **Appl. No.: 906,838**

[22] **Filed: Sep. 11, 1986**

[52] **U.S. Cl. D23/252; D8/308**

[58] **Field of Search D23/238-243,
D23/250-254; D8/300, 307-312; 16/110, 118,
121**

[56] **References Cited**

U.S. PATENT DOCUMENTS

D. 265,229 6/1982 Paul D23/242
D. 265,580 7/1982 Paul D23/242

D. 267,110 11/1982 Arnolds D23/242
D. 271,514 11/1983 Paul D23/242
D. 278,458 4/1985 Paul D23/242
D. 280,543 9/1985 Paul D23/242

Primary Examiner—James R. Largen
Attorney, Agent, or Firm—Darby & Darby

[57] **CLAIM**

The ornamental design for a faucet handle, as shown and described.

DESCRIPTION

FIG. 1 is a perspective view of a faucet handle showing my new design;
FIG. 2 is a front elevational view thereof, the rear being a mirror image of the front shown;
FIG. 3 is a left side elevational view thereof;
FIG. 4 is a top plan view thereof;
FIG. 5 is a bottom plan view thereof; and,
FIG. 6 is a right side elevational view thereof.

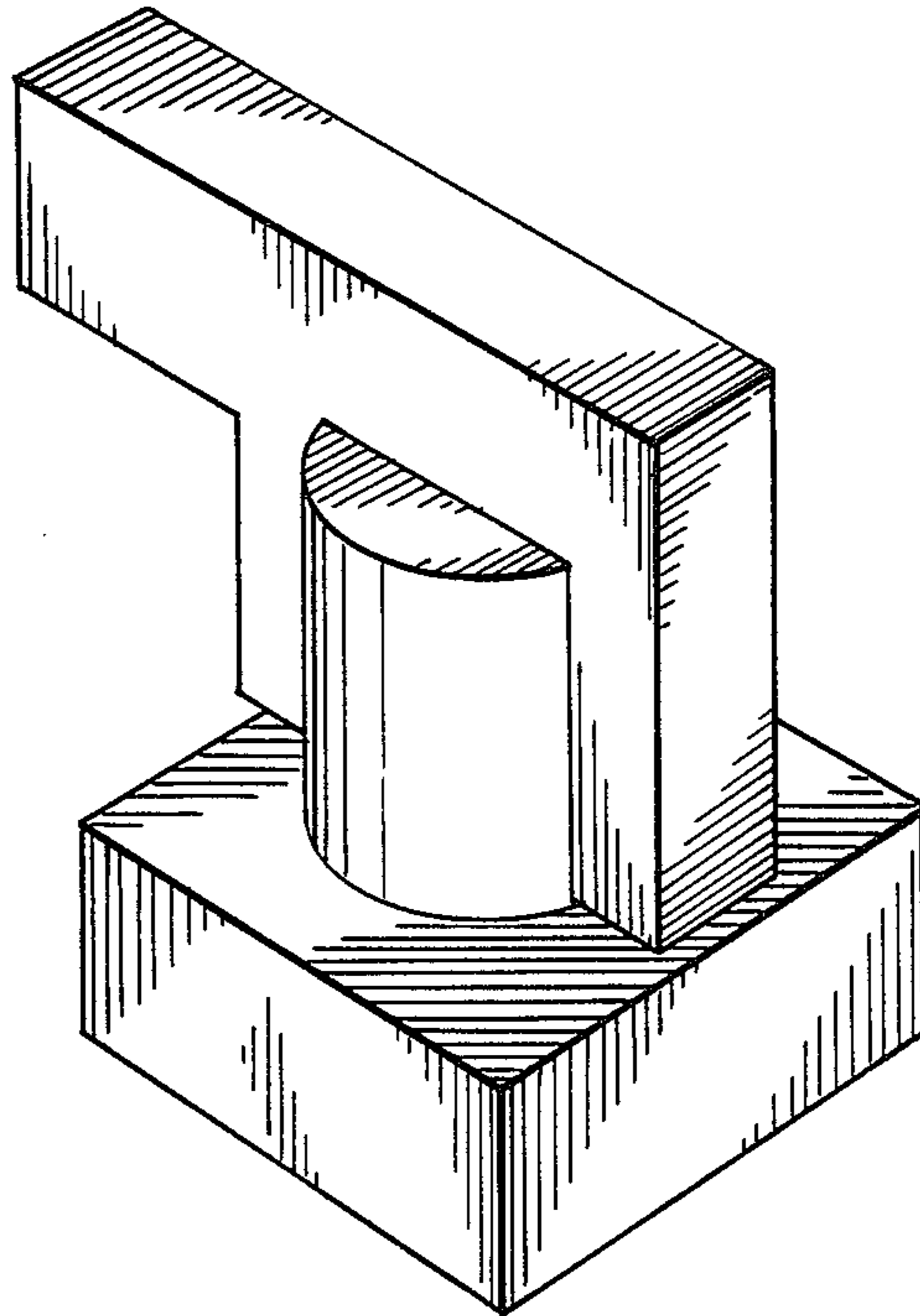


FIG. 1

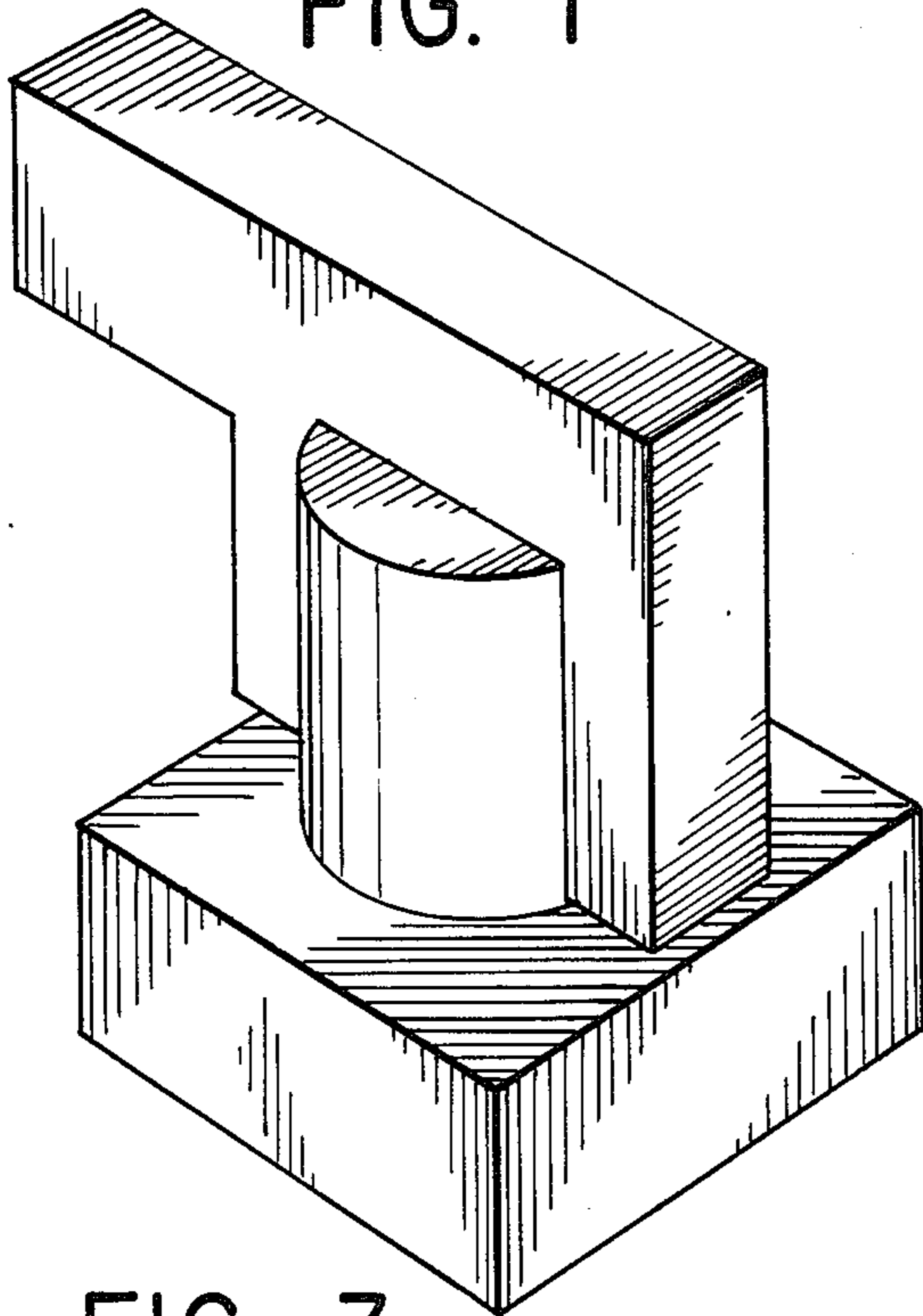


FIG. 2

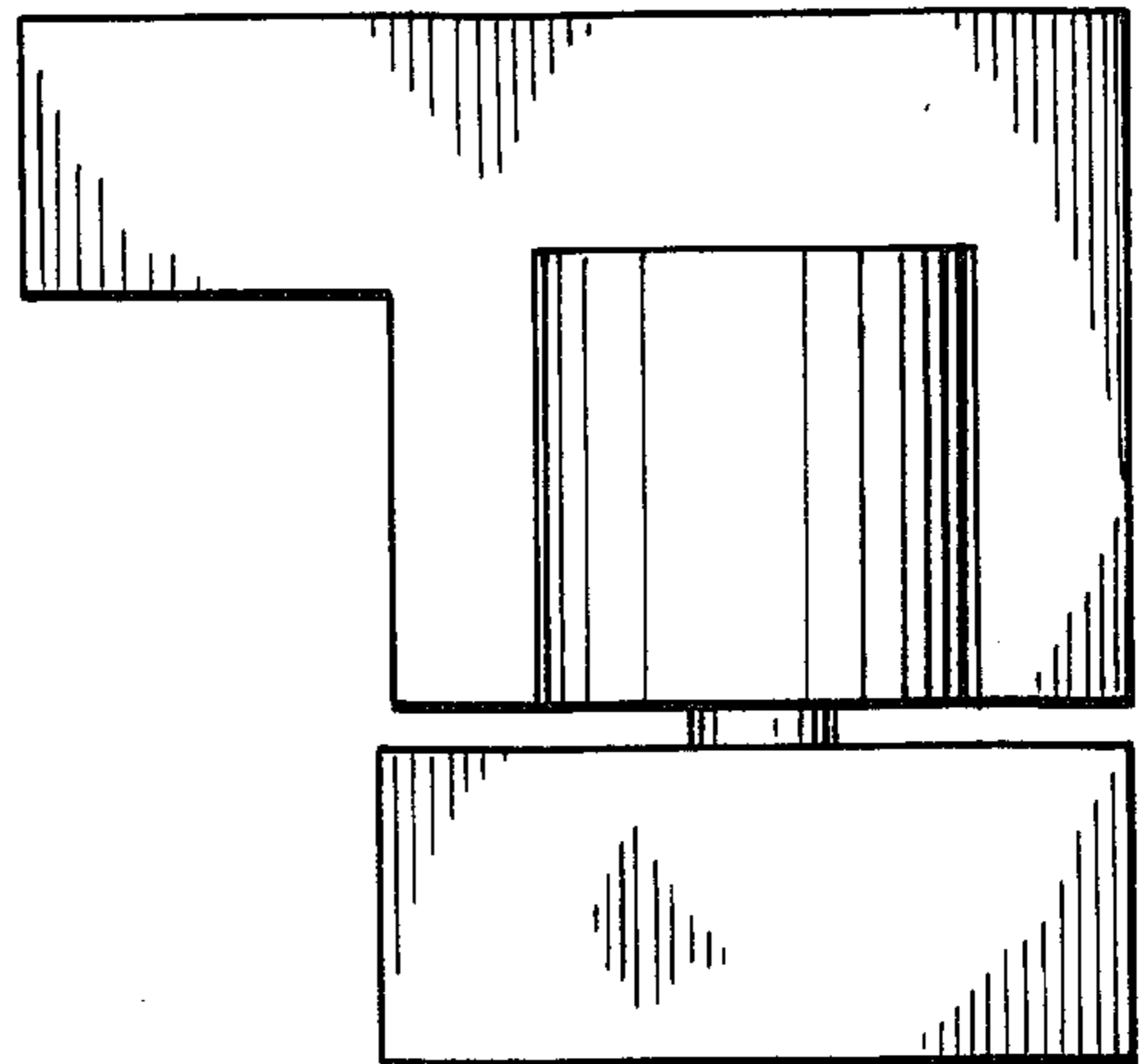


FIG. 4

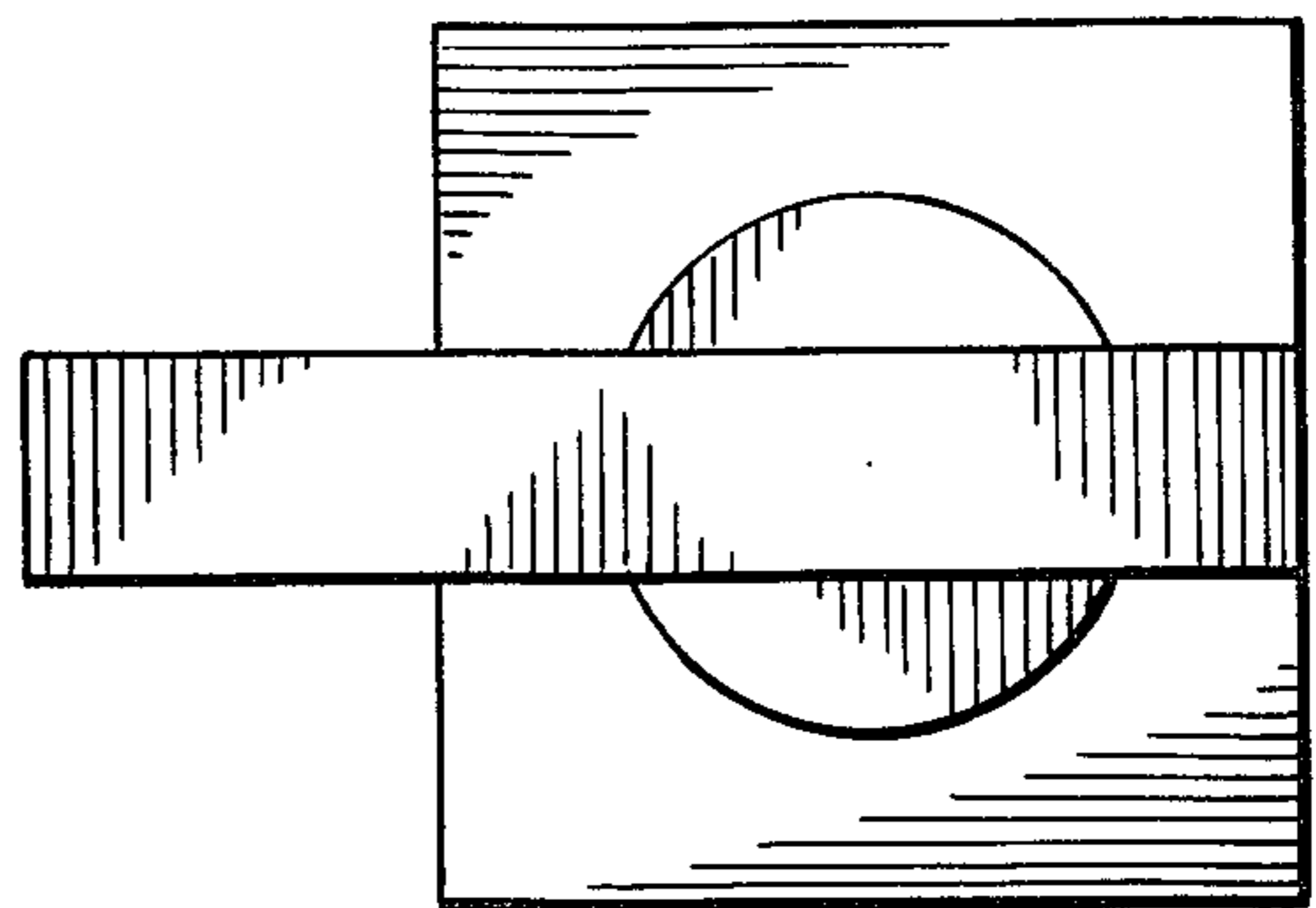


FIG. 3

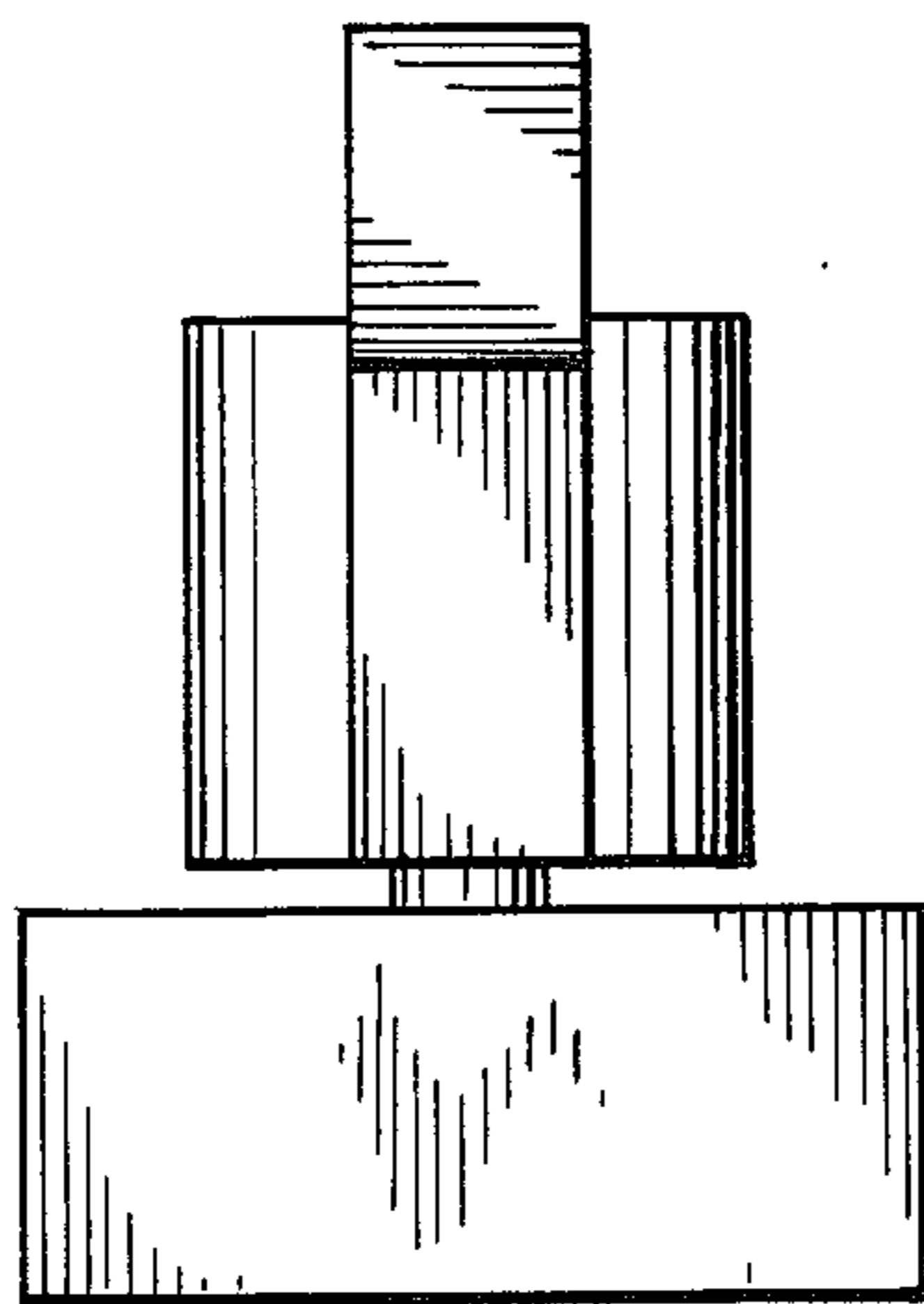


FIG. 6

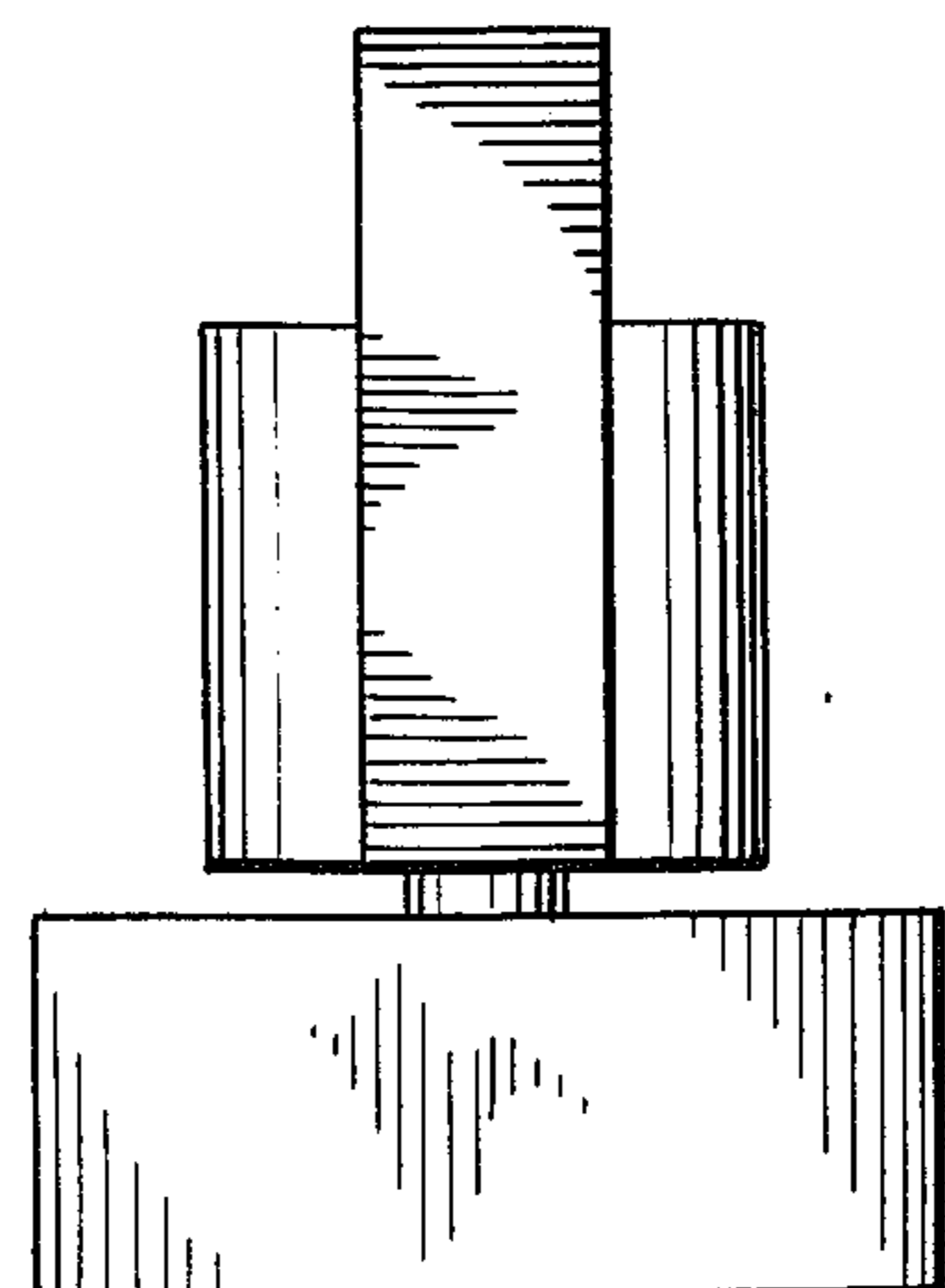


FIG. 5

