

[54] **FAUCET**
 [75] **Inventor: Stanley M. Paul, Rye, N.Y.**
 [73] **Assignee: Paul Associates, Inc., Long Island City, N.Y.**
 [**] **Term: 14 Years**
 [21] **Appl. No.: 925,408**
 [22] **Filed: Oct. 31, 1986**
 [52] **U.S. Cl. D23/242**
 [58] **Field of Search D23/238-243; 4/191, 192, 591; 137/801**

D. 280,437	9/1985	Rademacher	D23/242
D. 287,160	12/1986	Rademacher	D23/242
D. 290,159	6/1987	Jans	D23/242
D. 290,160	6/1987	Paul	D23/241
D. 290,161	6/1987	Paul	D23/242
D. 290,869	7/1987	Paul	D23/242
D. 290,870	7/1987	Paul	D23/242
D. 290,871	7/1987	Paul	D23/242

Primary Examiner—James R. Largen
Attorney, Agent, or Firm—Darby & Darby

[57] **CLAIM**

The ornamental design for a faucet, as shown and described.

DESCRIPTION

FIG. 1 is a perspective view taken from the top, front and right side of a faucet showing my new design; FIG. 2 is a top plan view thereof; FIG. 3 is a front elevational view thereof; FIG. 4 is a left side elevational view thereof, the right side being a mirror image of the left side shown; FIG. 5 is a rear elevational view thereof; and FIG. 6 is a bottom plan view.

[56] **References Cited**

U.S. PATENT DOCUMENTS

D. 265,229	6/1982	Paul	D23/242
D. 265,230	6/1982	Paul	D23/241
D. 265,231	6/1982	Paul	D23/241
D. 265,580	7/1982	Paul	D23/242
D. 271,514	11/1983	Paul	D23/242
D. 278,458	4/1985	Paul	D23/242
D. 279,213	6/1985	Paul	D23/242
D. 280,232	8/1985	Paul	D23/242

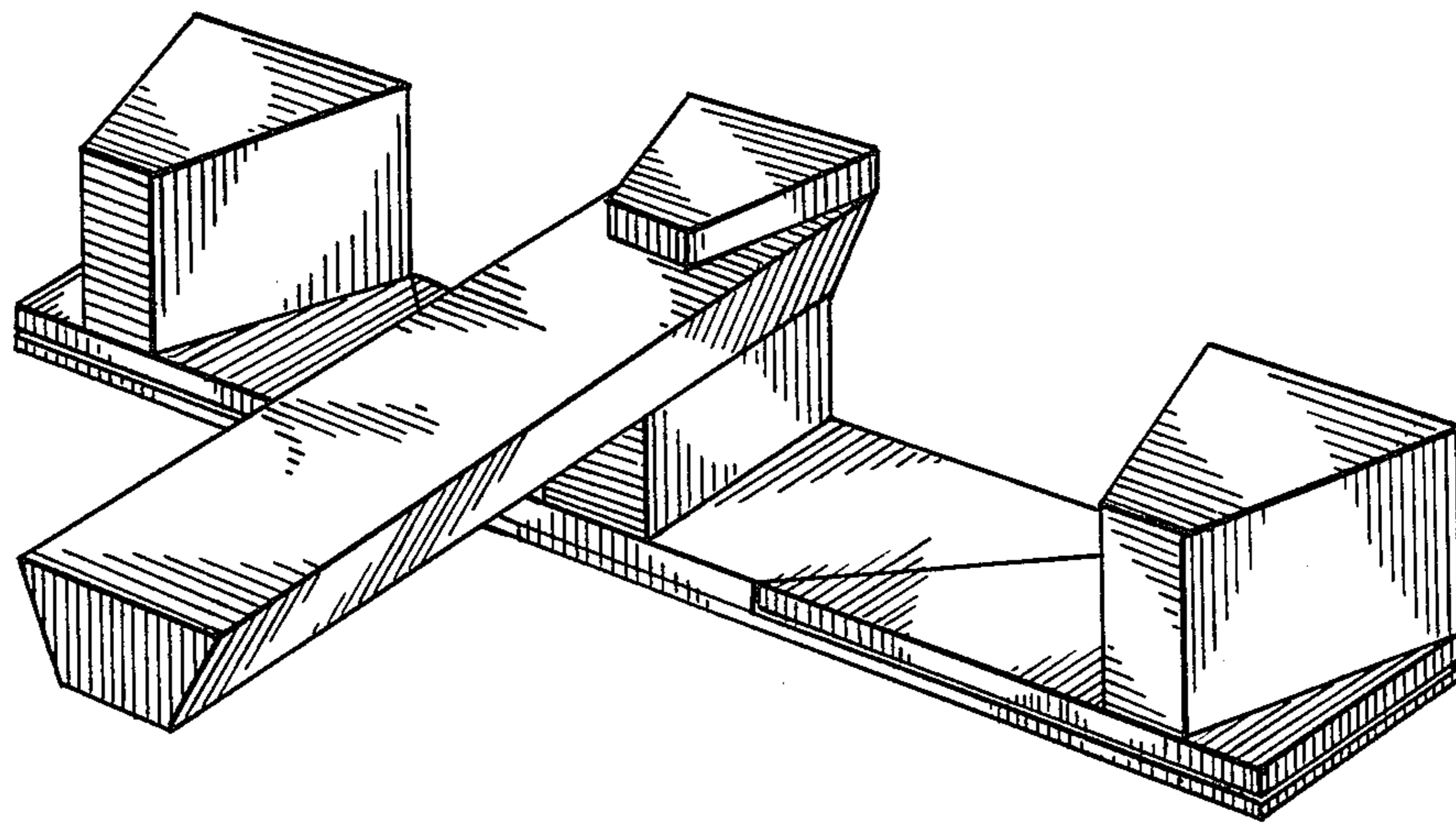


FIG. 1

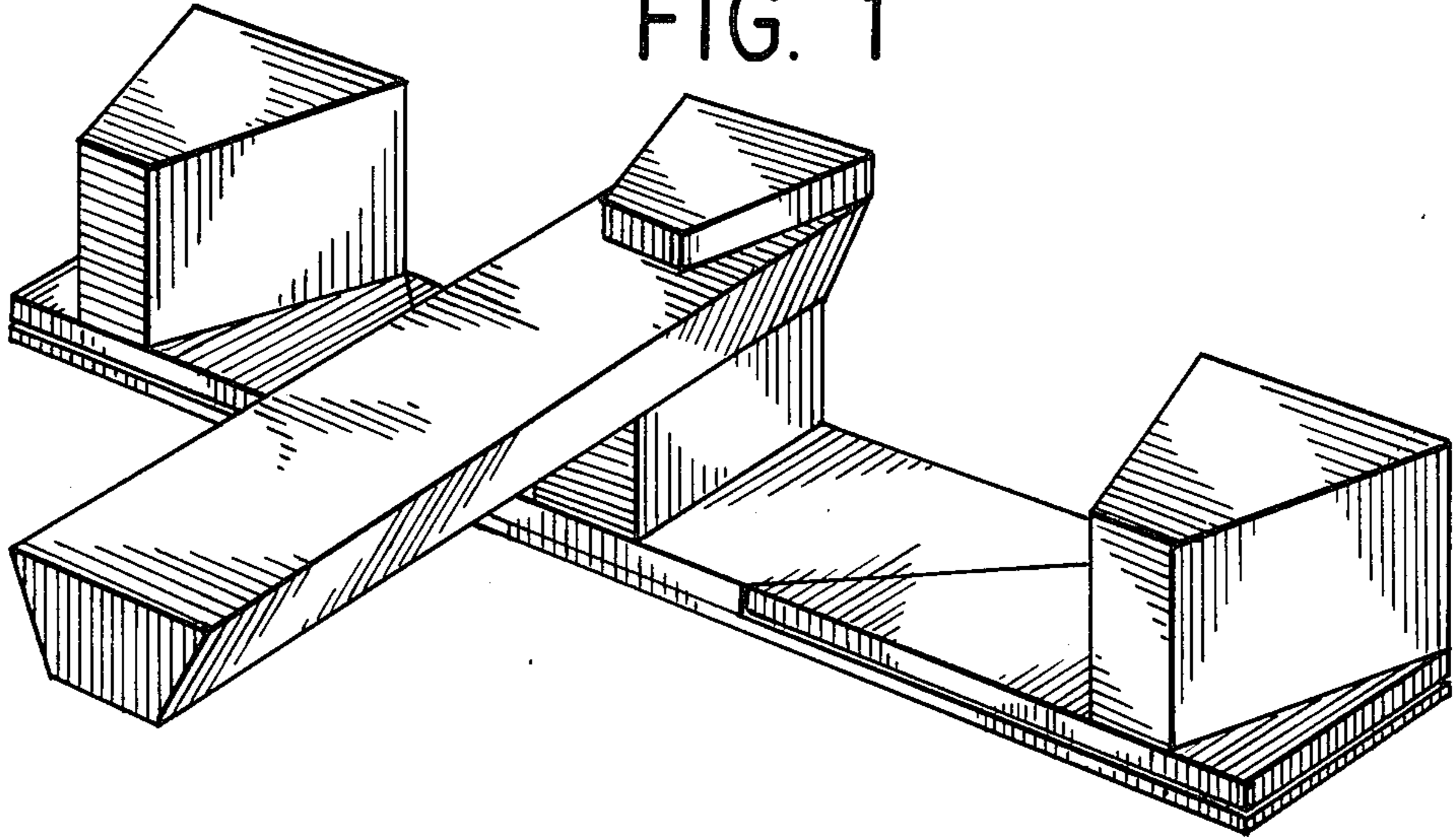


FIG. 2

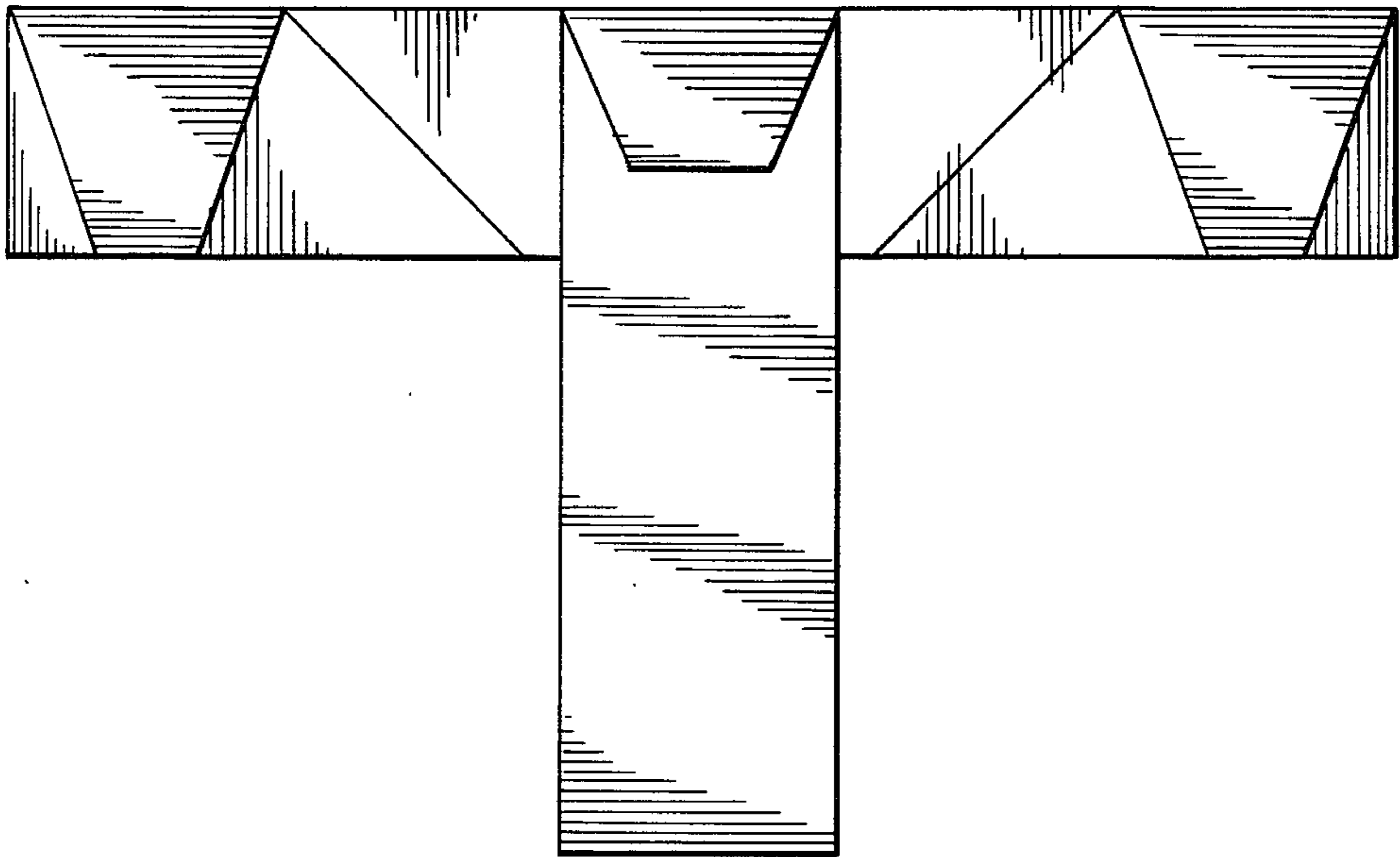


FIG. 3

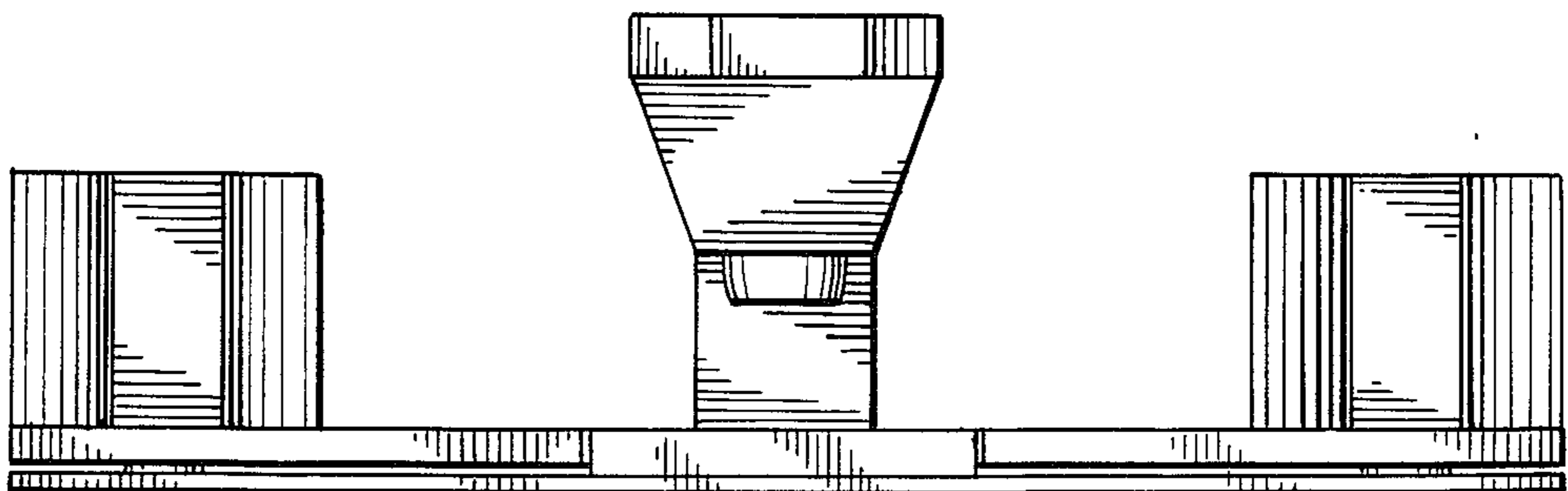


FIG. 4

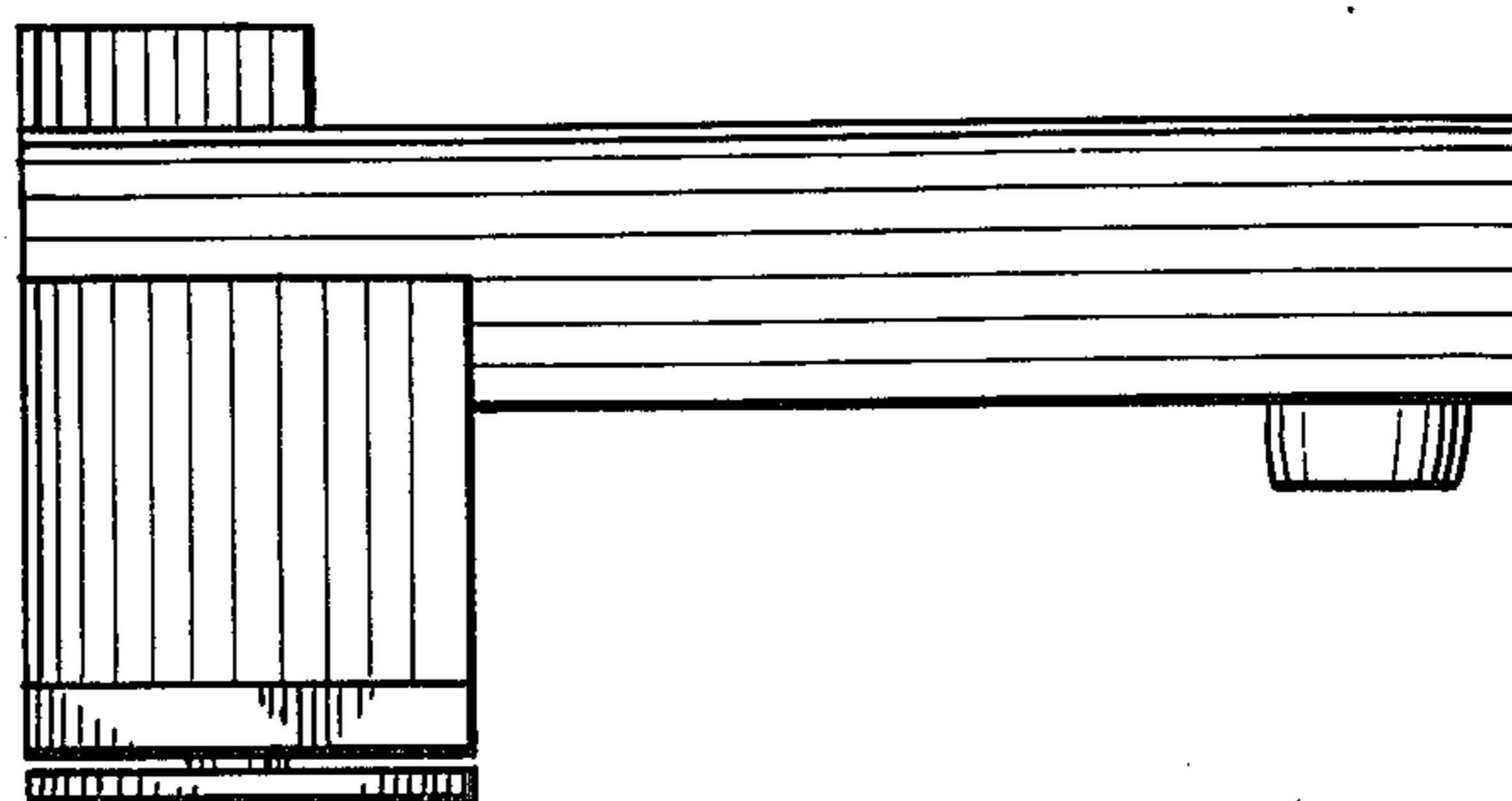


FIG. 5

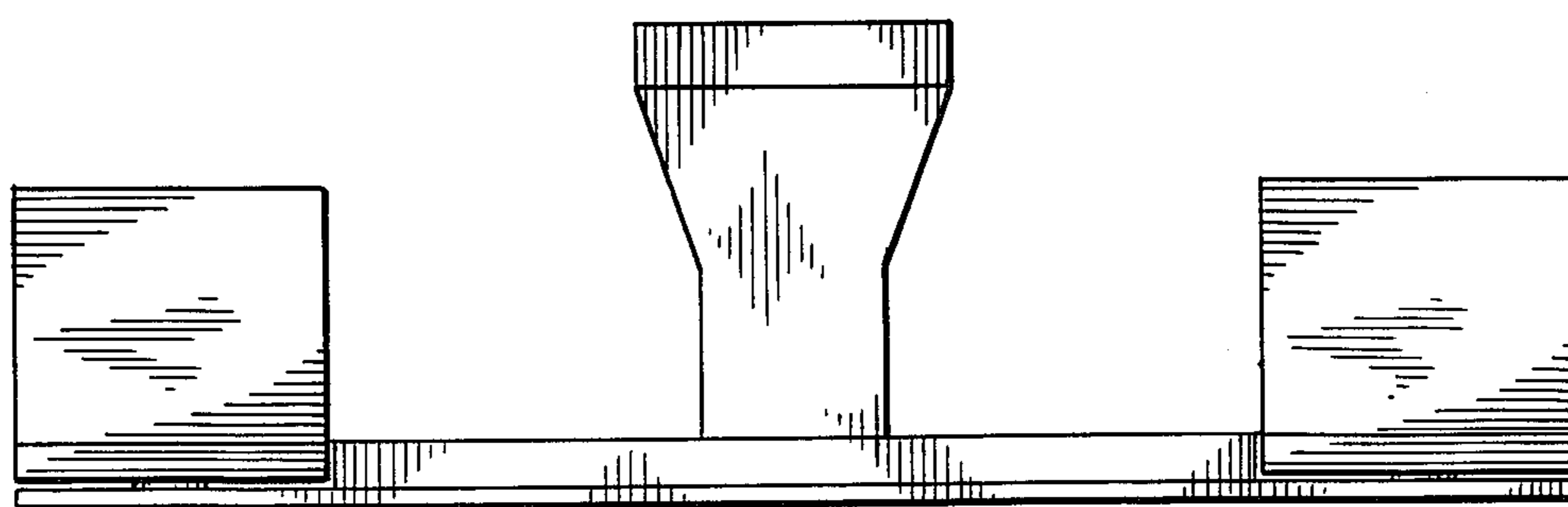


FIG. 6

