

[54] AEROBIC HANDWEIGHT

[76] Inventor: Coley Brown, 4502 Forest Dr.,
Columbia, S.C. 29260

[**] Term: 14 Years

[21] Appl. No.: 810,725

[22] Filed: Dec. 19, 1985

[52] U.S. Cl. D21/196

[58] Field of Search D21/191-199,
D21/230; 272/67, 109, 117, 116, 122, 125, 143

[56] References Cited

U.S. PATENT DOCUMENTS

- | | | | | |
|------------|---------|------------|-------|---------|
| D. 197,899 | 4/1964 | Sutcliffe | | D21/197 |
| D. 244,045 | 4/1977 | Lah et al. | | D21/230 |
| D. 246,612 | 12/1977 | Hosick | | D21/230 |

D. 269,103 5/1983 Morgan D21/230

Primary Examiner—Charles A. Rademaker
Attorney, Agent, or Firm—Benoni O. Reynolds

[57] CLAIM

The ornamental design for an aerobic handweight, as shown and described.

DESCRIPTION

FIG. 1 is an elevational view of an aerobic handweight showing my new design;
FIG. 2 is a front elevational view thereof;
FIG. 3 is a rear elevational view thereof;
FIG. 4 is an elevational view from the right side thereof;
FIG. 5 is a top plan view thereof;
FIG. 6 is a cross-sectional view thereof taken along line 6—6 in FIG. 1.

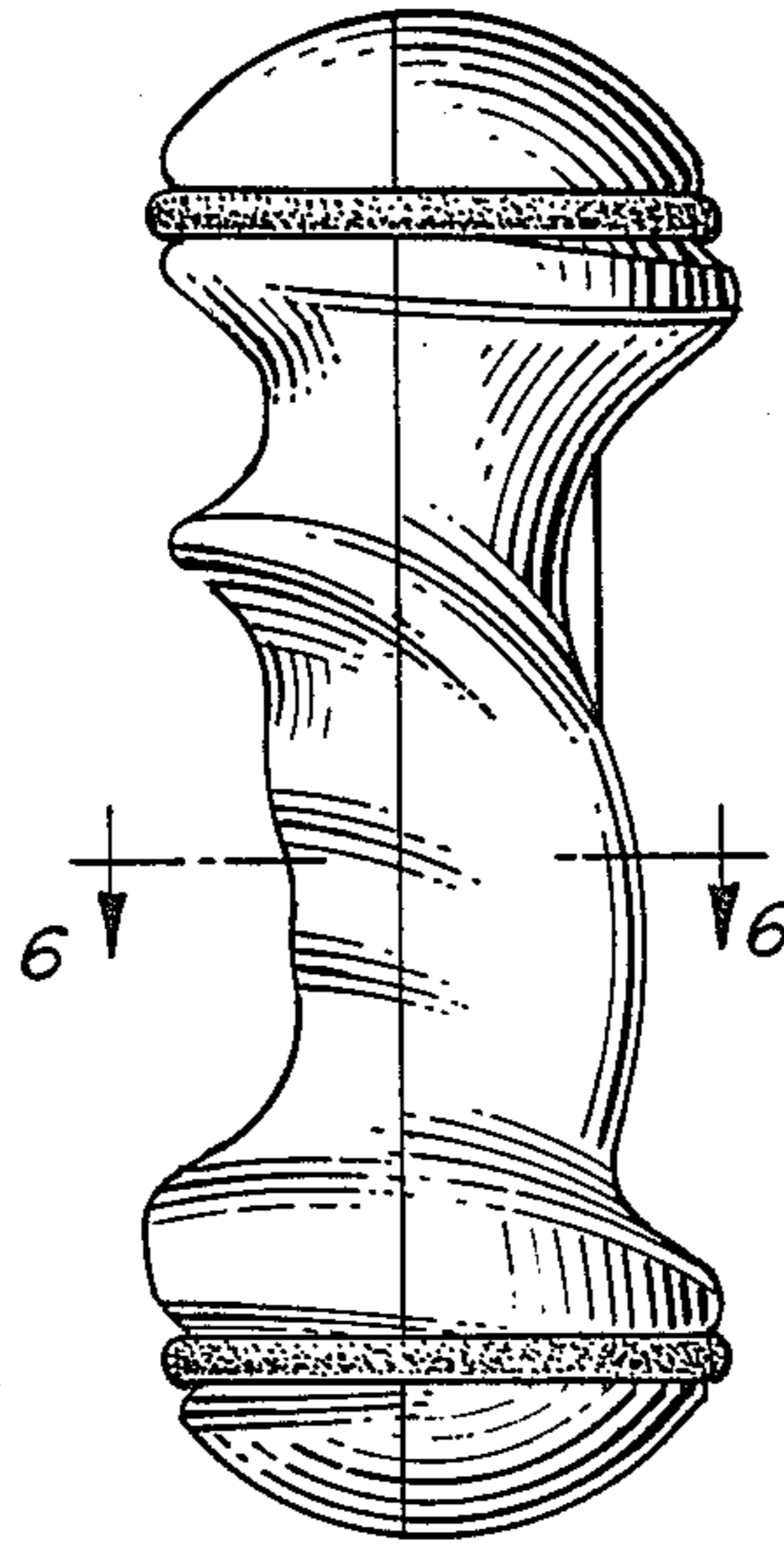


FIG. 1.

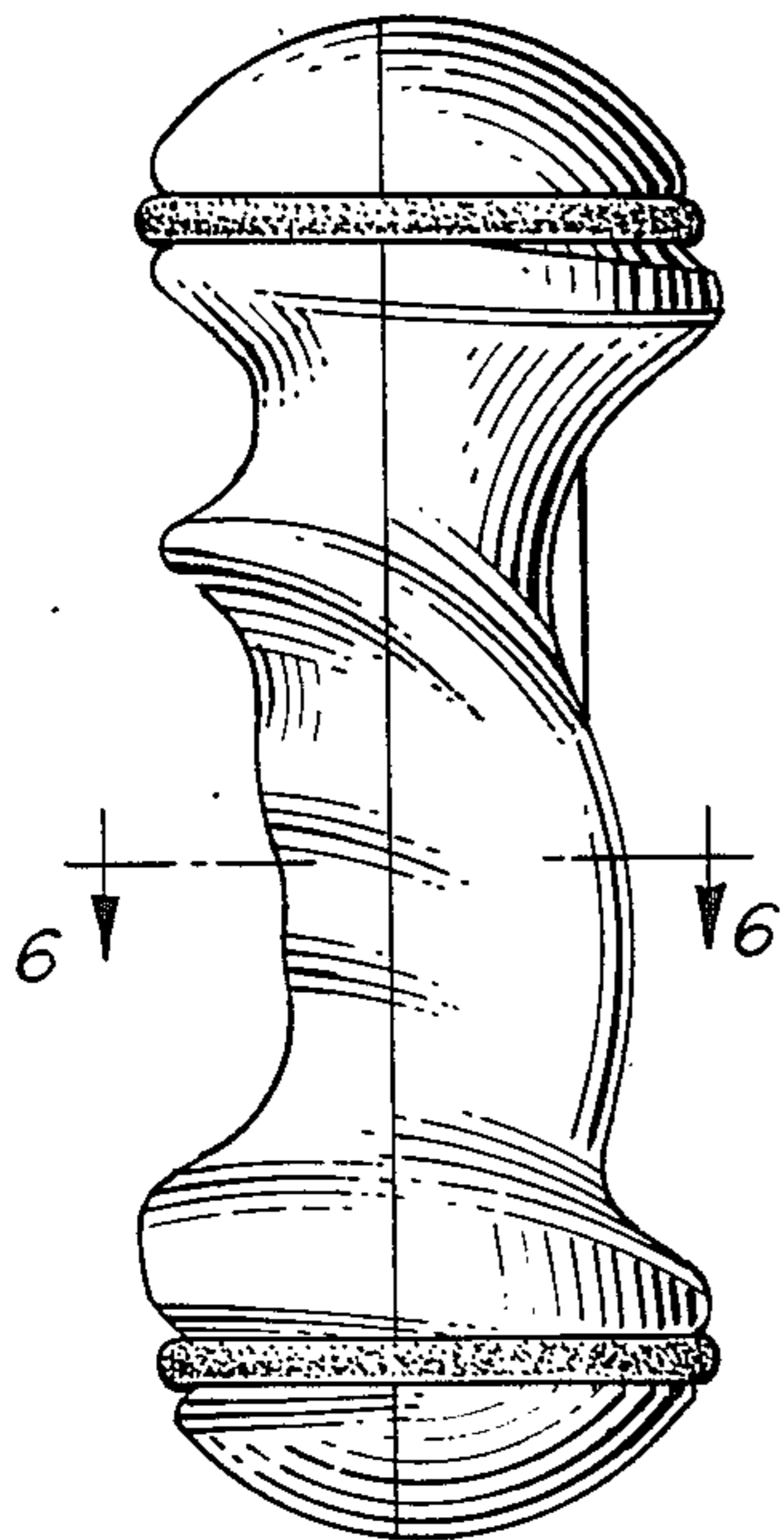


FIG. 2.

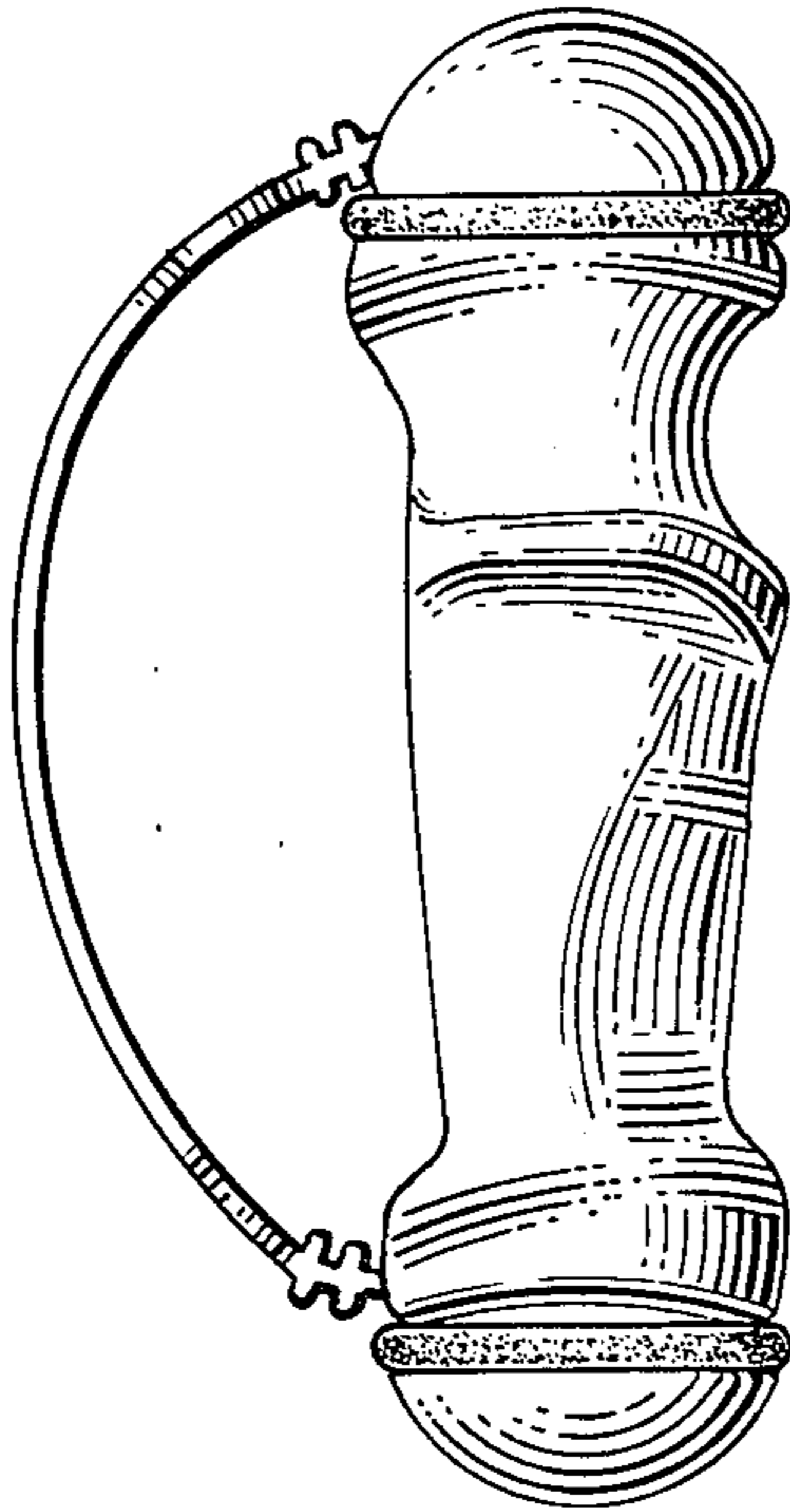


FIG. 3.

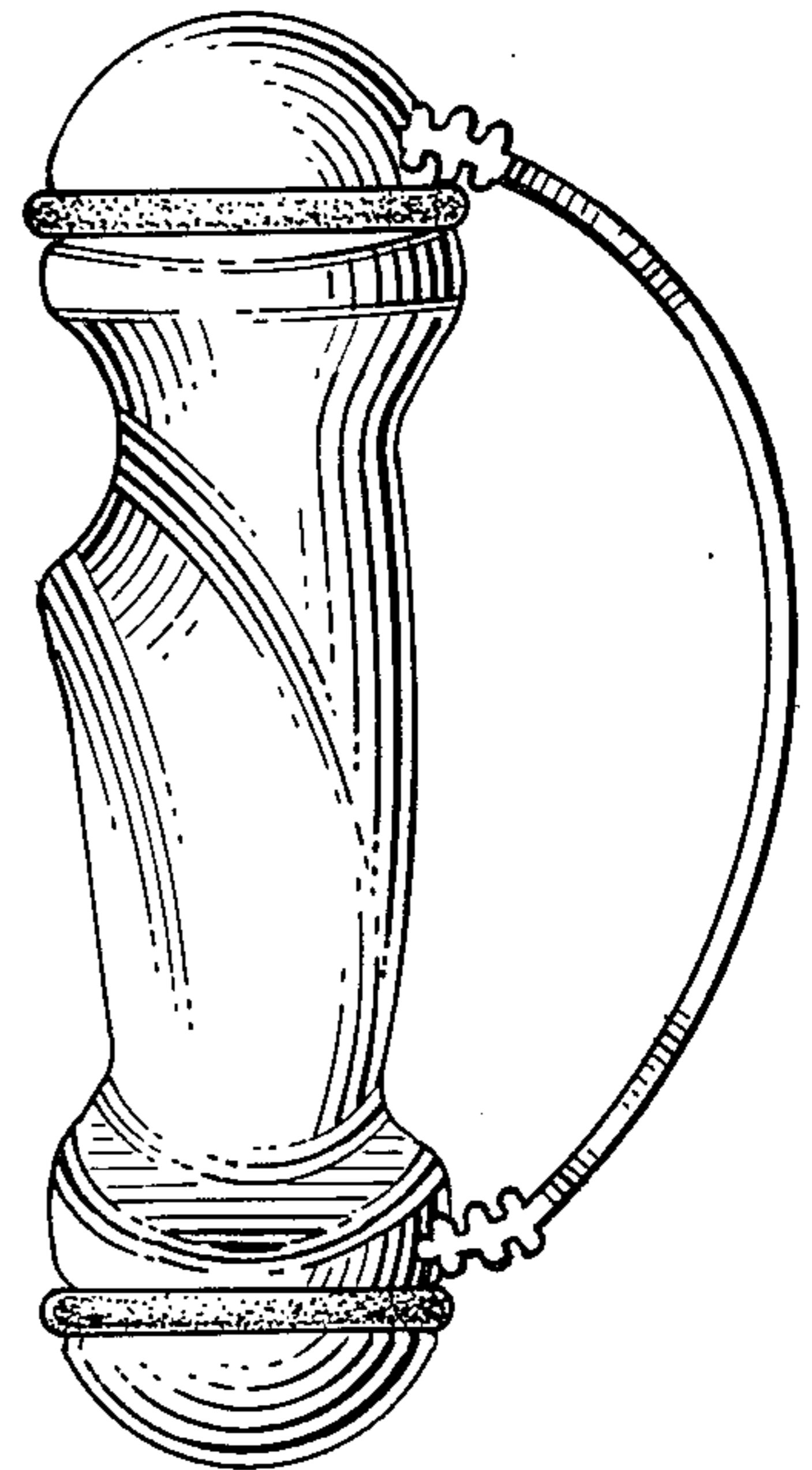


FIG. 4.

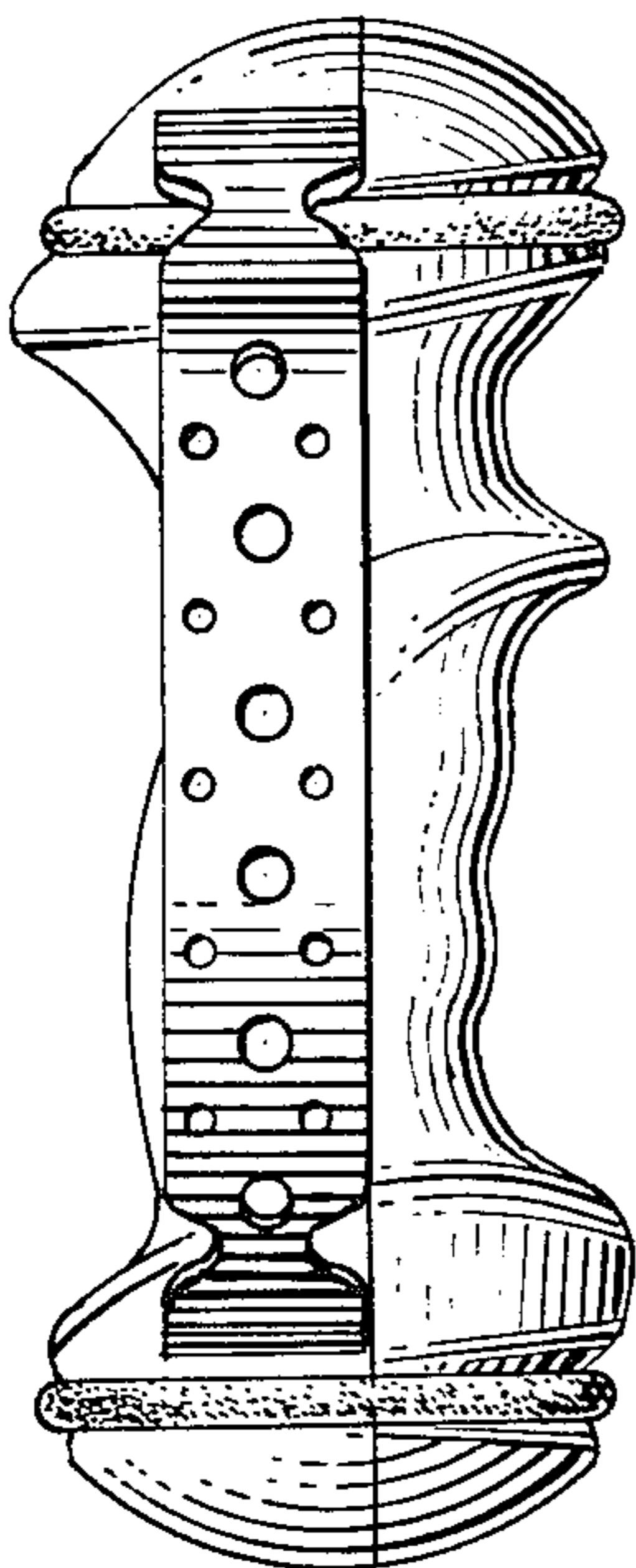


FIG. 5.

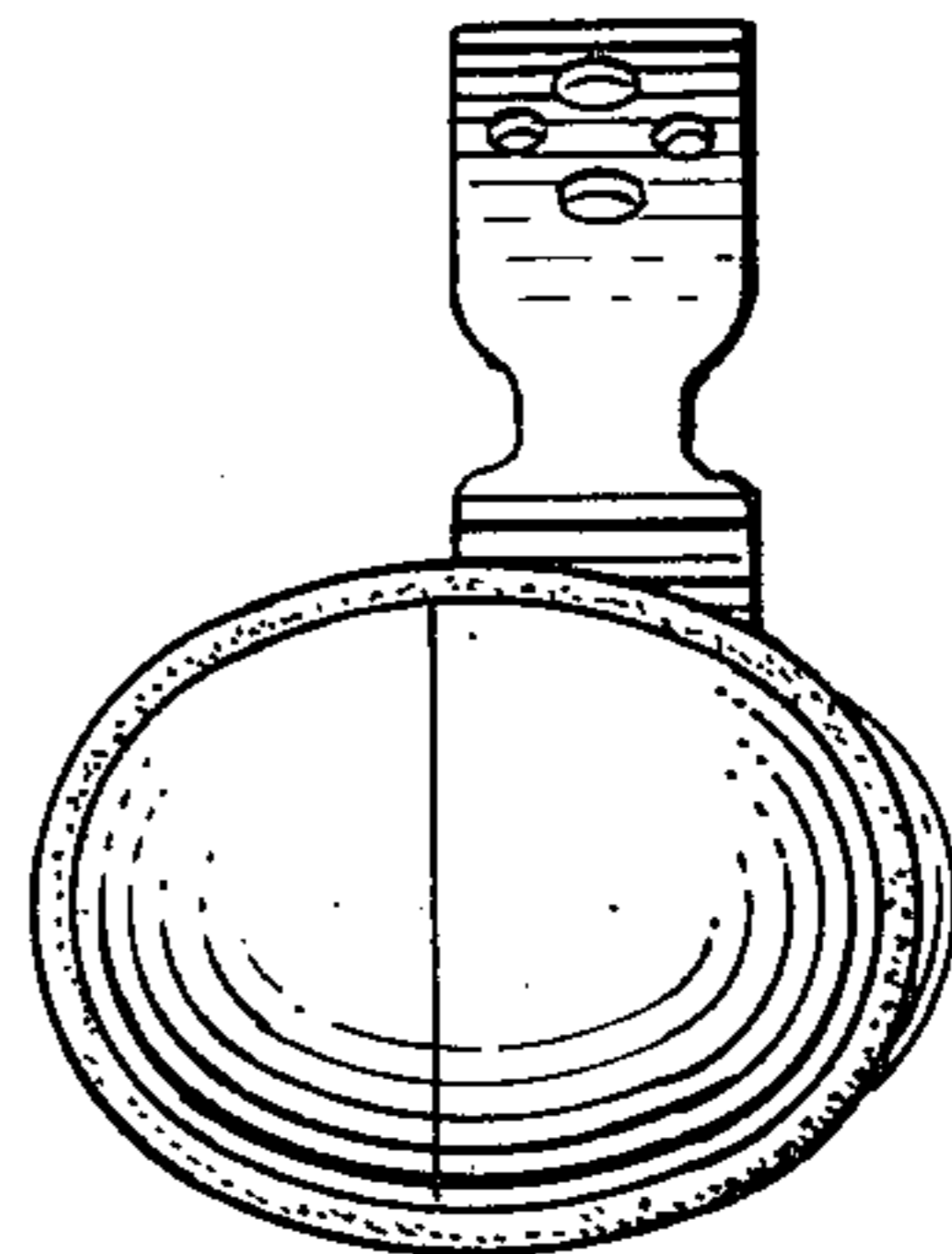


FIG. 6.

