

United States Patent [19]

Marino

[11] Patent Number: Des. 297,748

[45] Date of Patent: ** Sep. 20, 1988

[54] **NOVELTY WATER PISTOL**

[75] Inventor: **Joseph A. Marino**, Whitehouse, N.J.

[73] Assignee: **Helm Products Limited**, Kowloon, Hong Kong

[**] Term: **14 Years**

[21] Appl. No.: **857,100**

[22] Filed: **Apr. 29, 1986**

[30] **Foreign Application Priority Data**

Oct. 29, 1985 [GB] United Kingdom 1030109

[52] U.S. Cl. **D21/147**

[58] Field of Search D21/145, 146, 147;
D22/100, 101, 102, 103; 446/473, 401

[56] **References Cited**

U.S. PATENT DOCUMENTS

D. 152,709 2/1949 Lim D21/147

D. 221,451 8/1971 Hewett D21/147
2,567,643 9/1951 Kapsa D21/147
3,575,318 4/1971 Kunz D21/147

Primary Examiner—Charles A. Rademaker
Attorney, Agent, or Firm—Cushman, Darby & Cushman

[57] **CLAIM**

The ornamental design for a novelty water pistol, as shown and described.

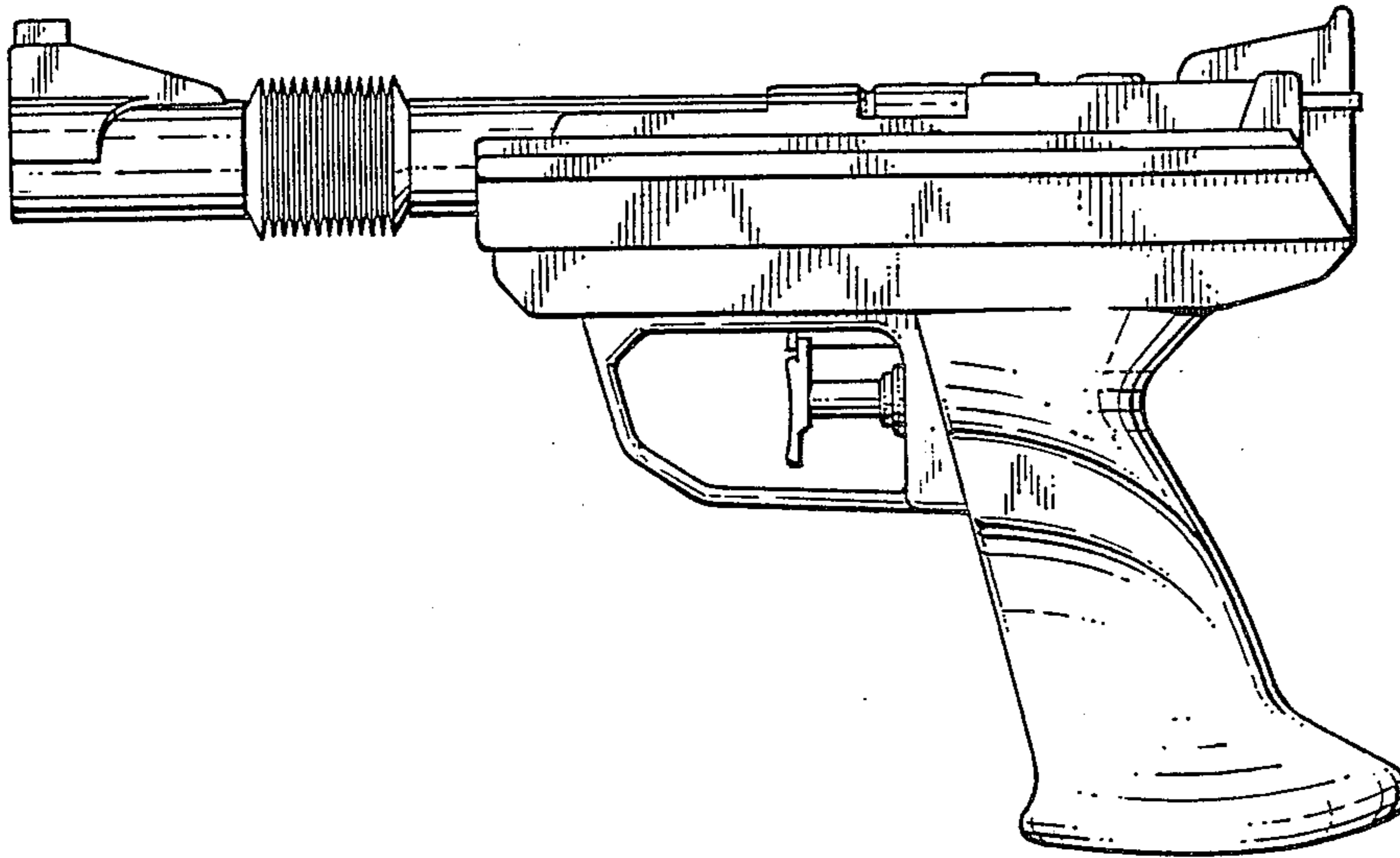
DESCRIPTION

FIG. 1 is a side elevational view of a novelty water pistol showing my new design, the opposite side of the device being substantially a mirror image of the side shown;

FIG. 2 is a front elevational view thereof;

FIG. 3 is another side elevational view thereof showing the design in an alternate position; and,

FIG. 4 is a top plan view thereof showing the design in a second alternate position.



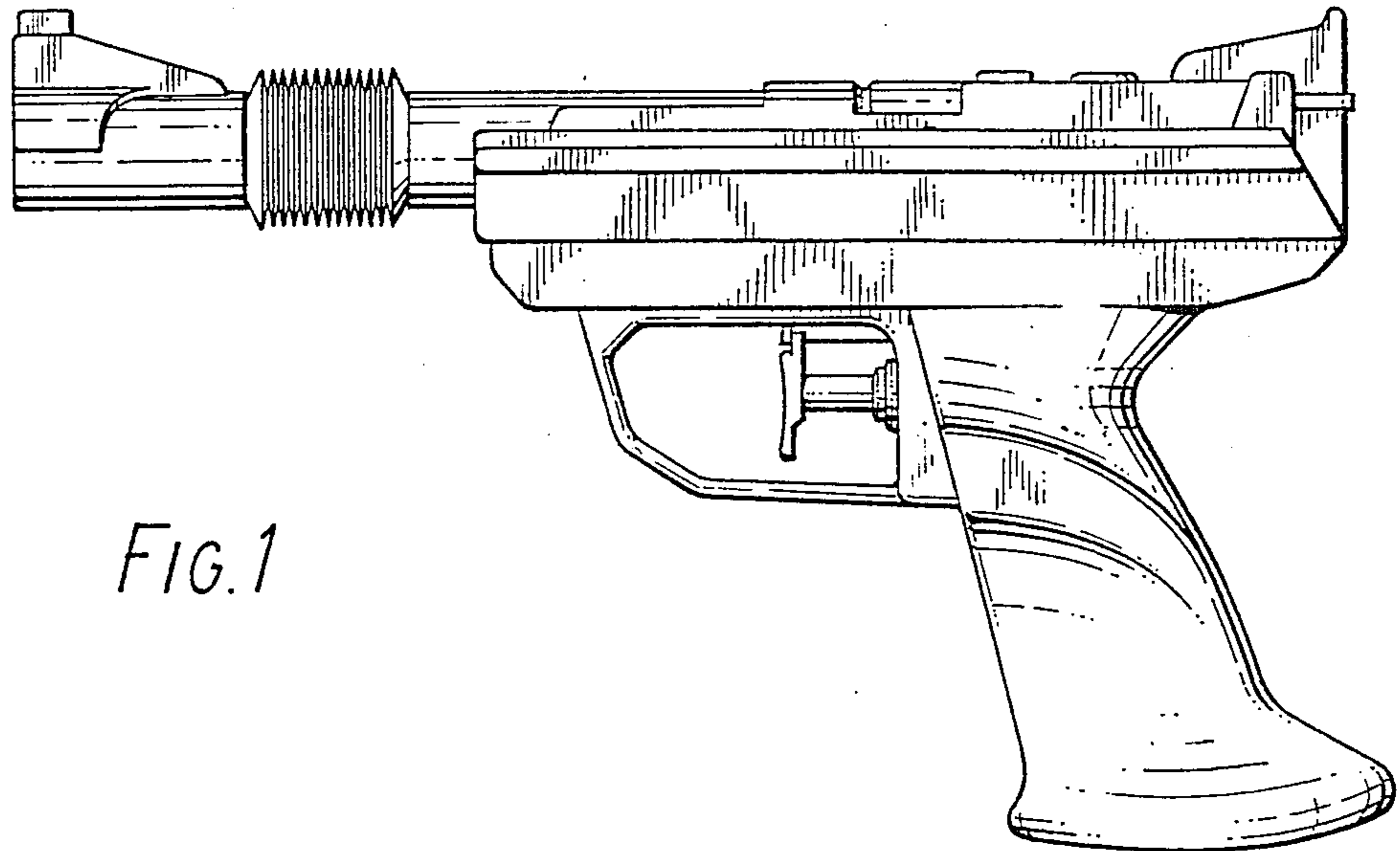


FIG. 1

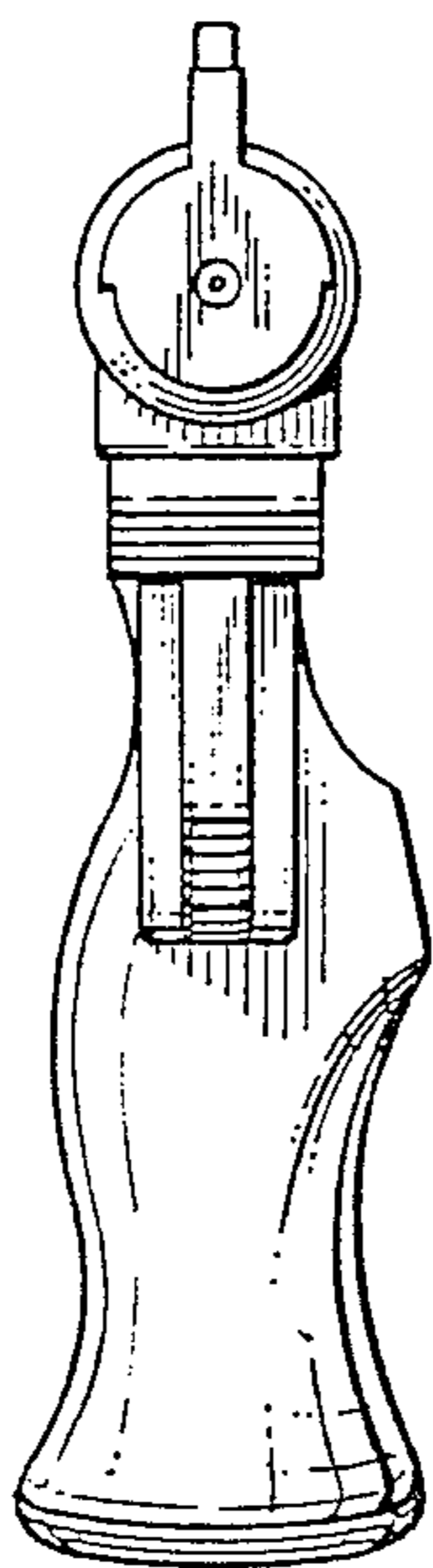


FIG. 2

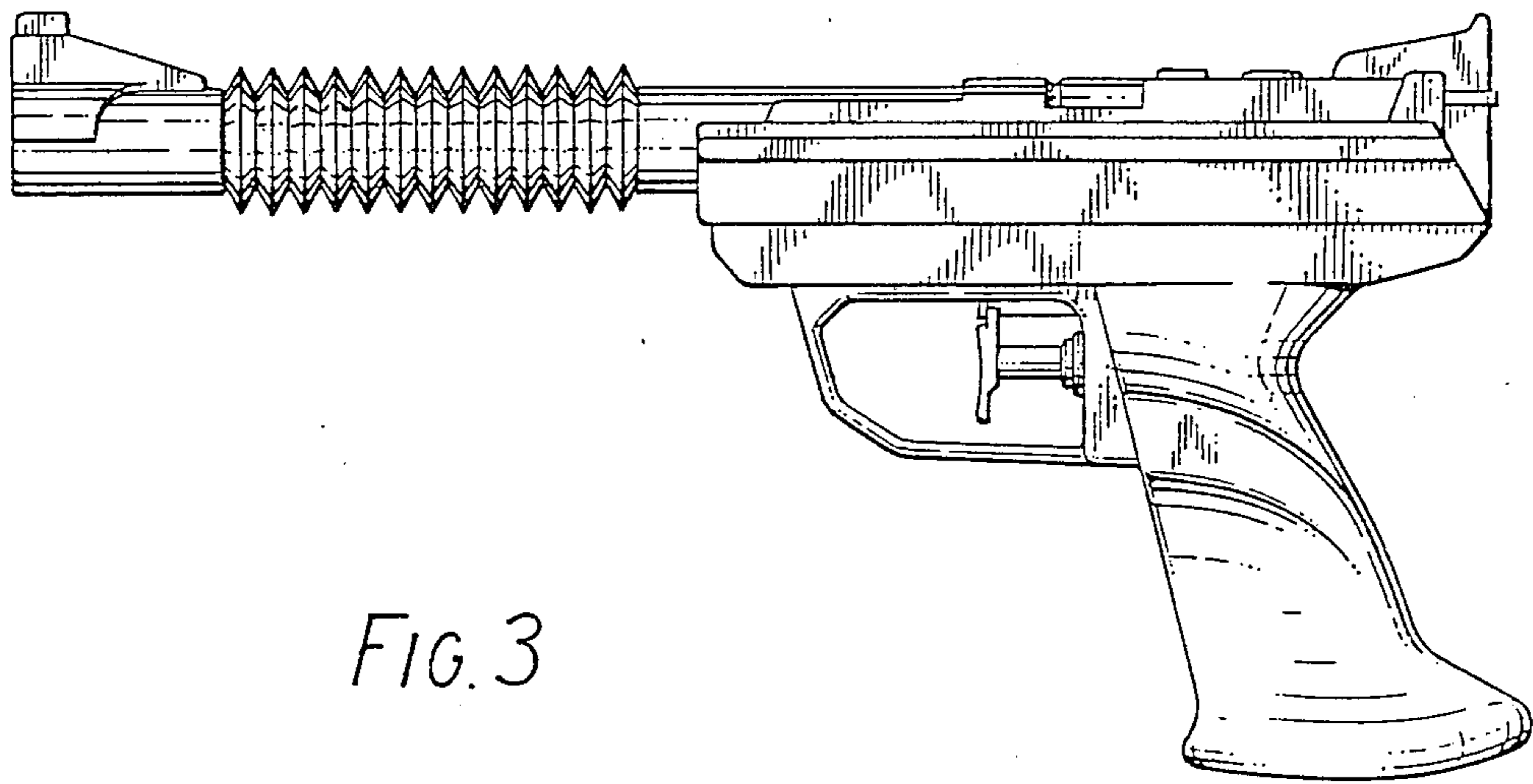


FIG. 3

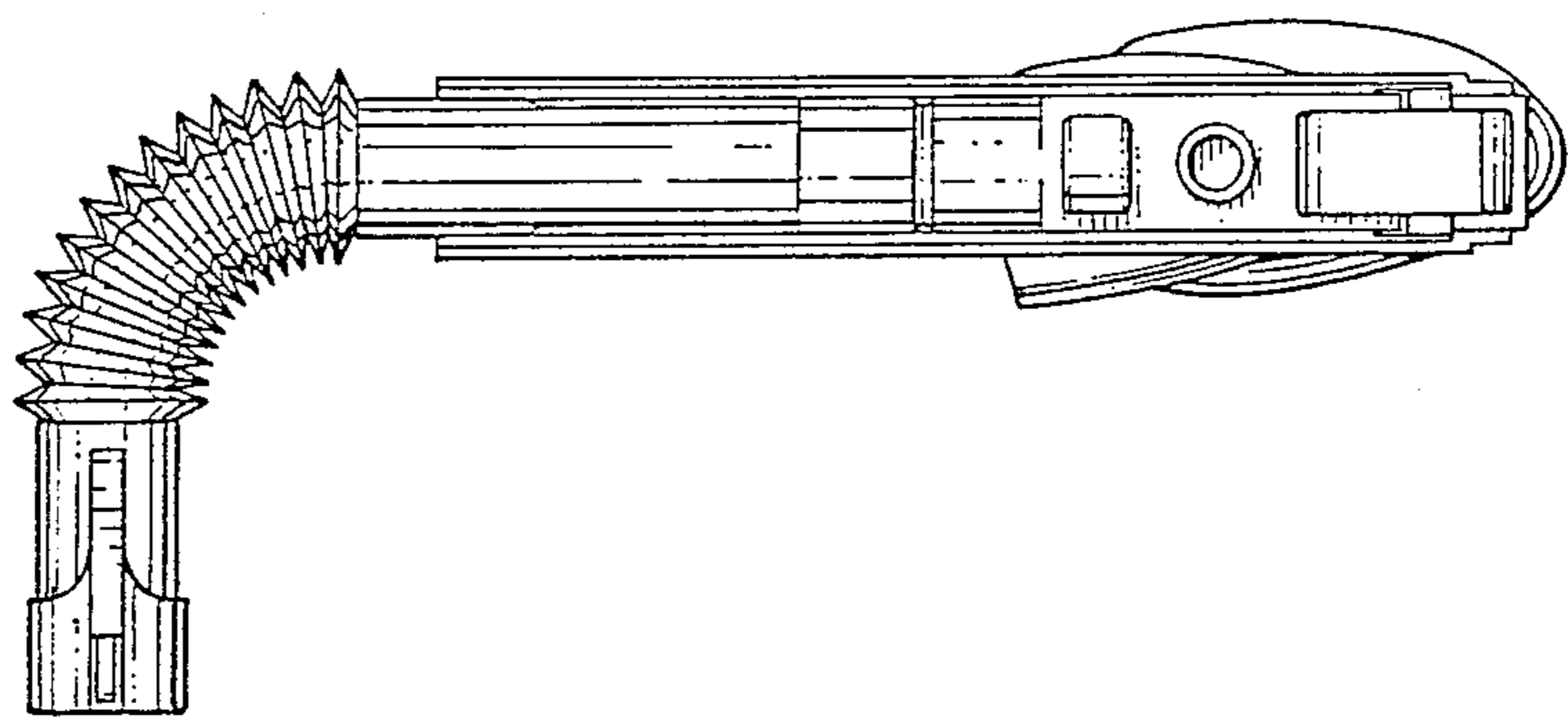


FIG. 4