

# United States Patent [19]

Kay et al.

[11] Patent Number: **Des. 297,744**

[45] Date of Patent: **\*\* Sep. 20, 1988**

[54] **CRIB MOBILE**

[75] Inventors: **Robert Kay, Stockport; Peter A. Broadbent, Alderley Edge, both of England**

[73] Assignee: **Hestair Kiddicraft Limited, Great Britain**

[\*\*] Term: **14 Years**

[21] Appl. No.: **657,439**

[22] Filed: **Apr. 22, 1986**

[30] **Foreign Application Priority Data**

Nov. 4, 1985 [GB] United Kingdom ..... 1030223  
[52] U.S. Cl. .... **D21/63**  
[58] Field of Search ..... D21/63, 64, 59, 62,  
D21/160; D11/141; 446/227, 228

[56] **References Cited**

**U.S. PATENT DOCUMENTS**

D. 232,853 9/1974 Vennola ..... D21/63  
D. 258,301 2/1981 Nakao et al. .... D11/141  
D. 279,491 7/1985 Tell ..... D21/63  
D. 286,862 11/1986 Yu ..... D11/141

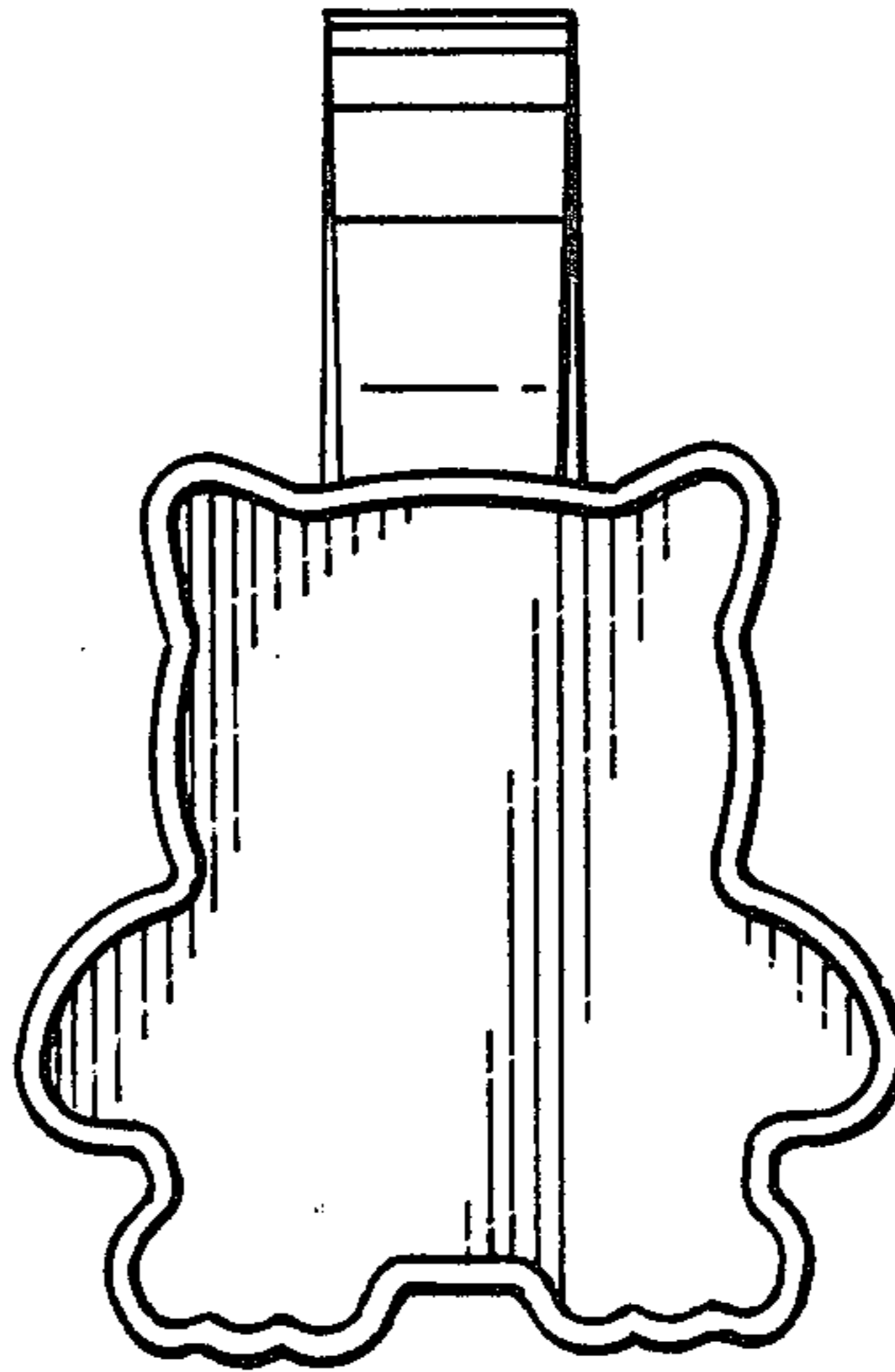
*Primary Examiner*—Charles A. Rademaker

[57] **CLAIM**

The ornamental design for crib mobile, as shown and described.

**DESCRIPTION**

FIG. 1 is a front elevational view of a crib mobile showing our new design;  
FIG. 2 is a rear elevational view thereof;  
FIG. 3 is a side elevational view showing our new design;  
FIG. 4 is a side elevational view showing the opposite side thereof;  
FIG. 5 is a top plan view showing our new design;  
FIG. 6 is a bottom plan view thereof.



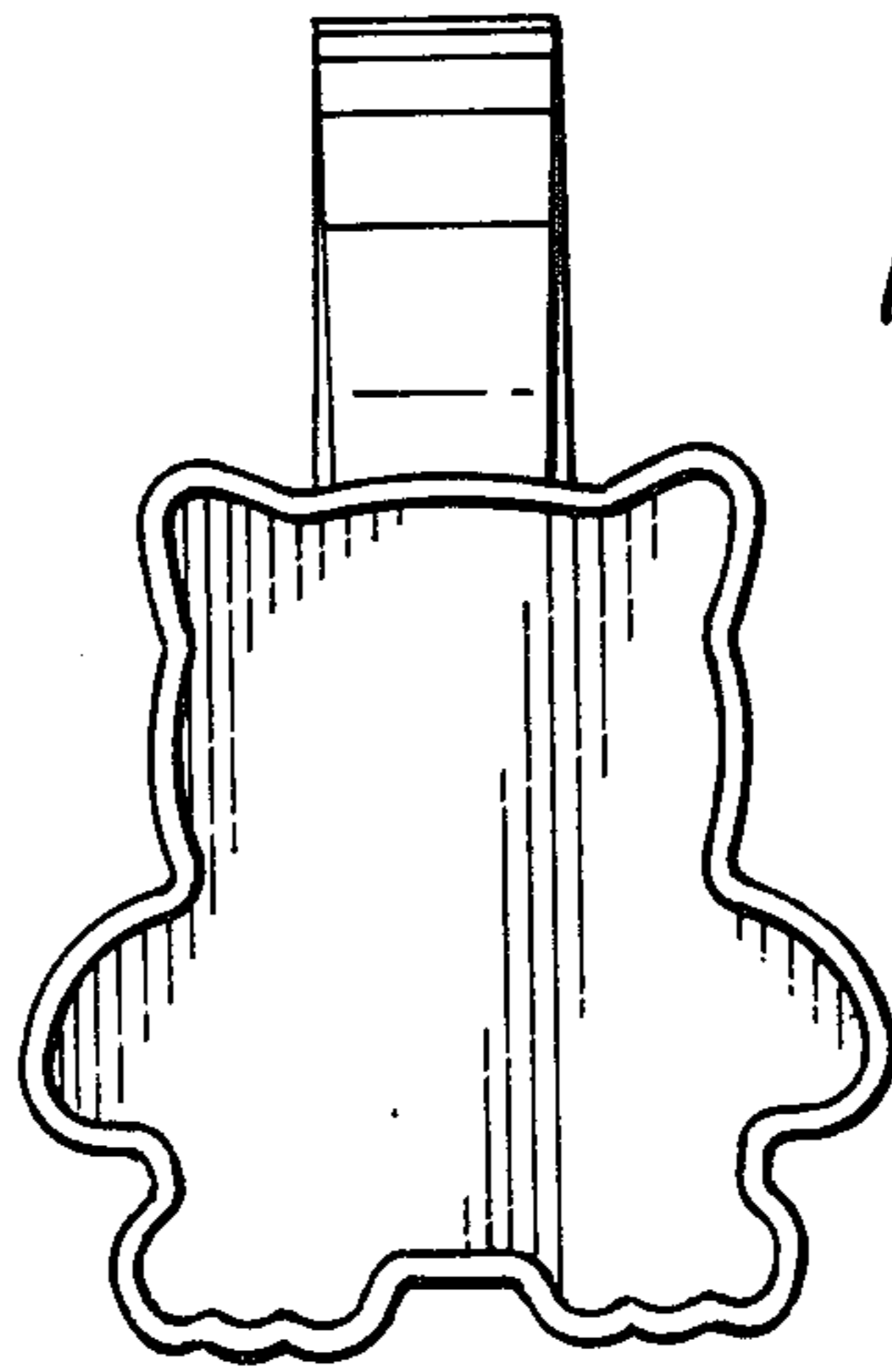


FIG. 1.

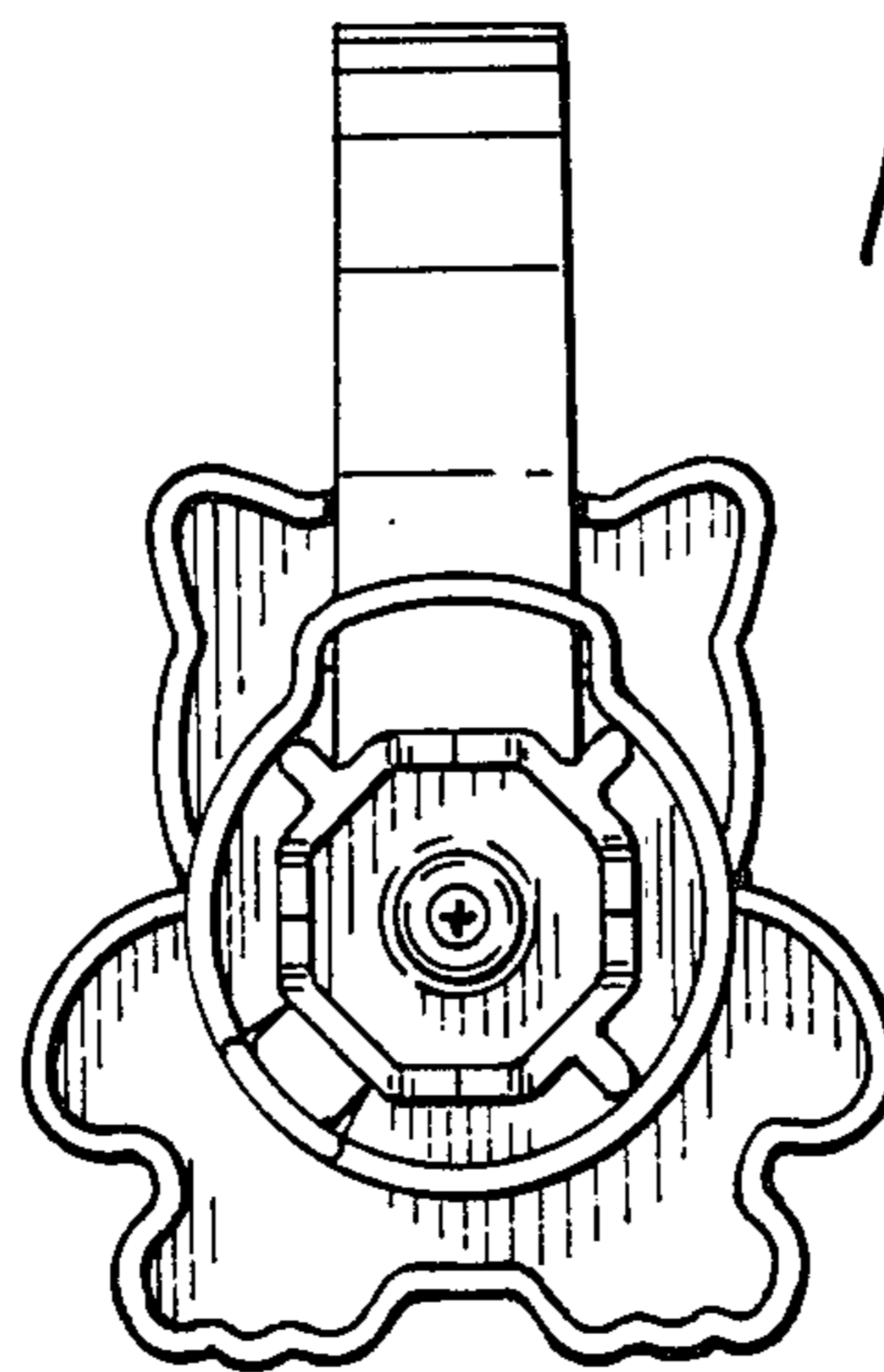


FIG. 2.

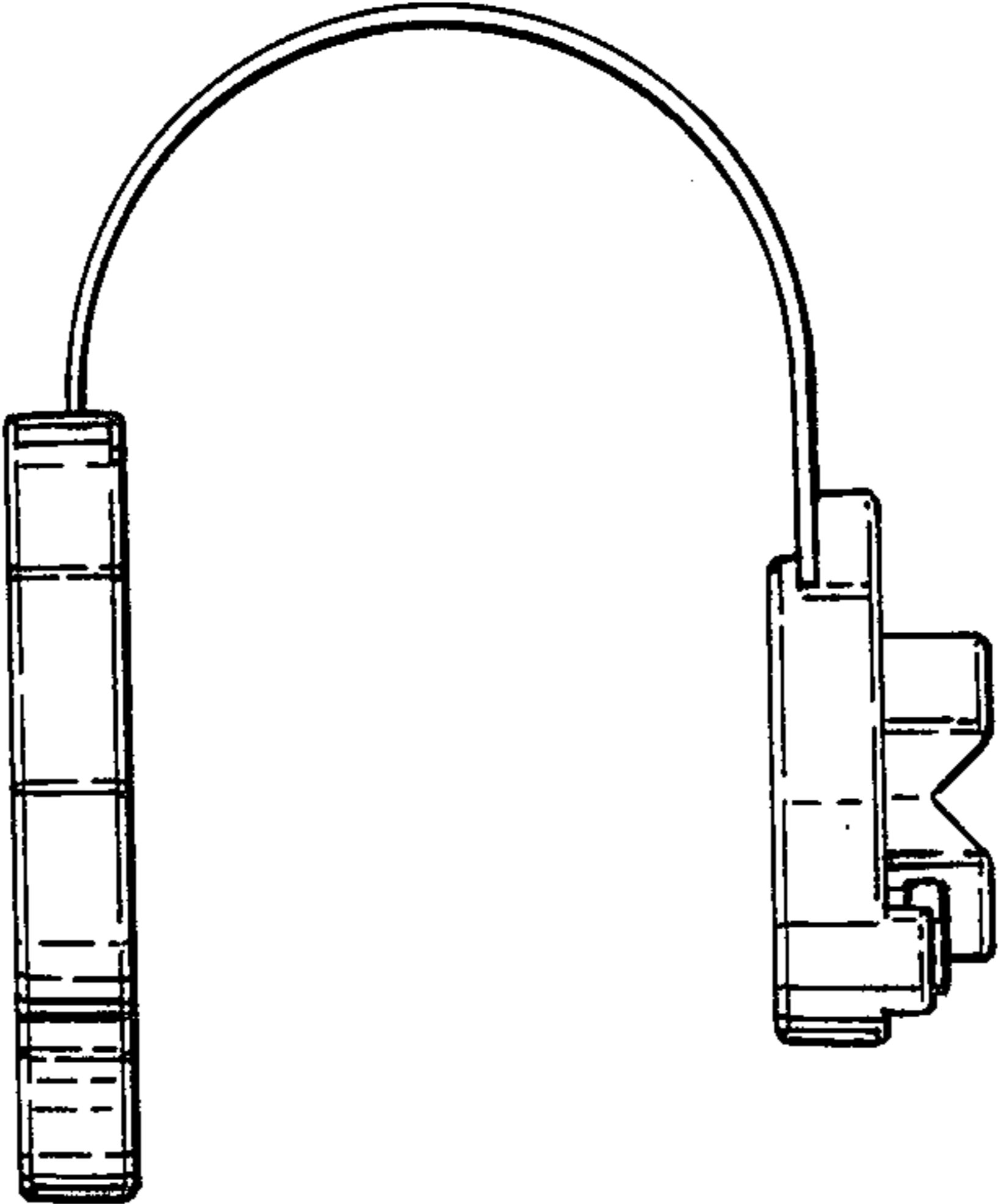


FIG. 3.

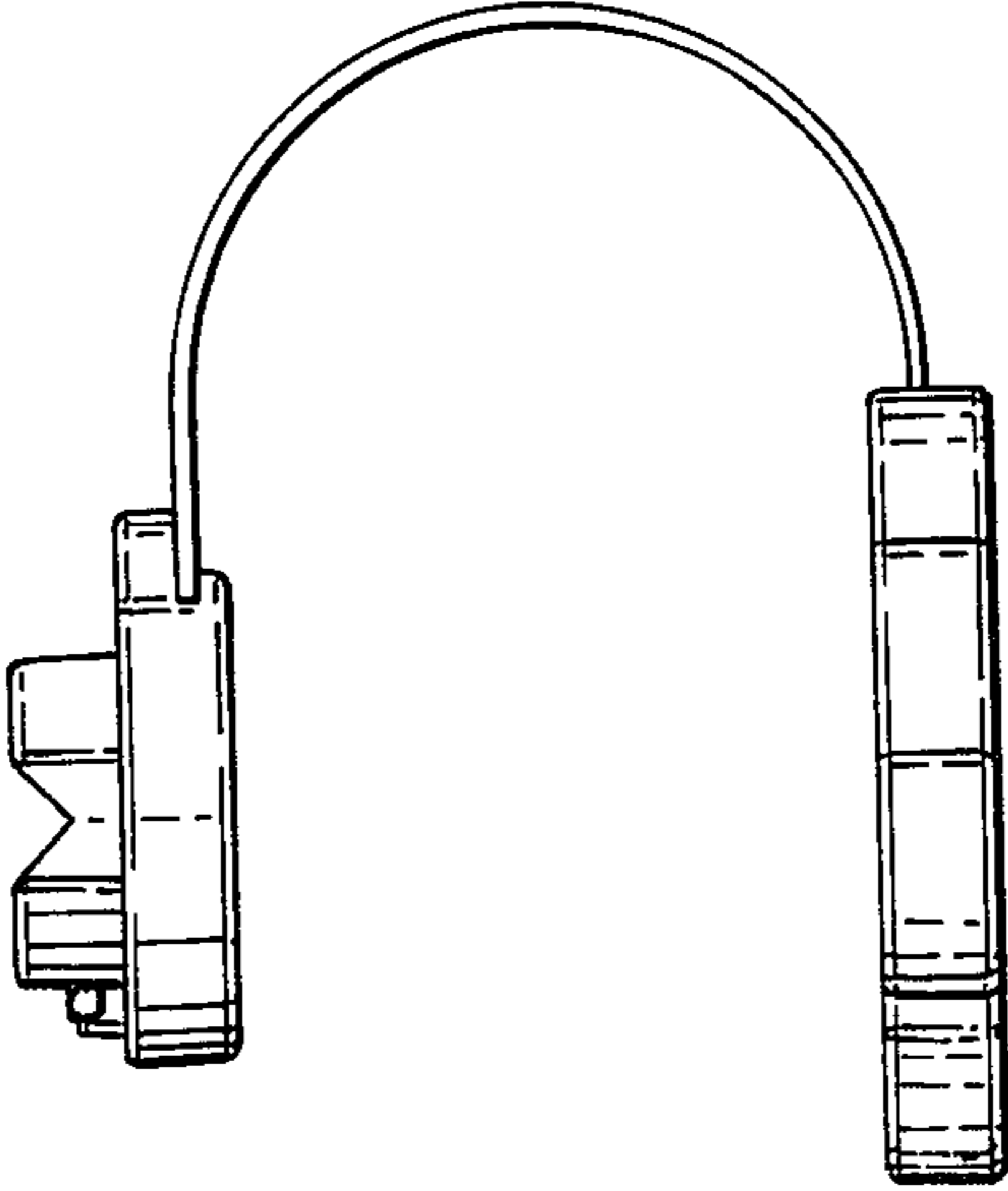


FIG. 4.

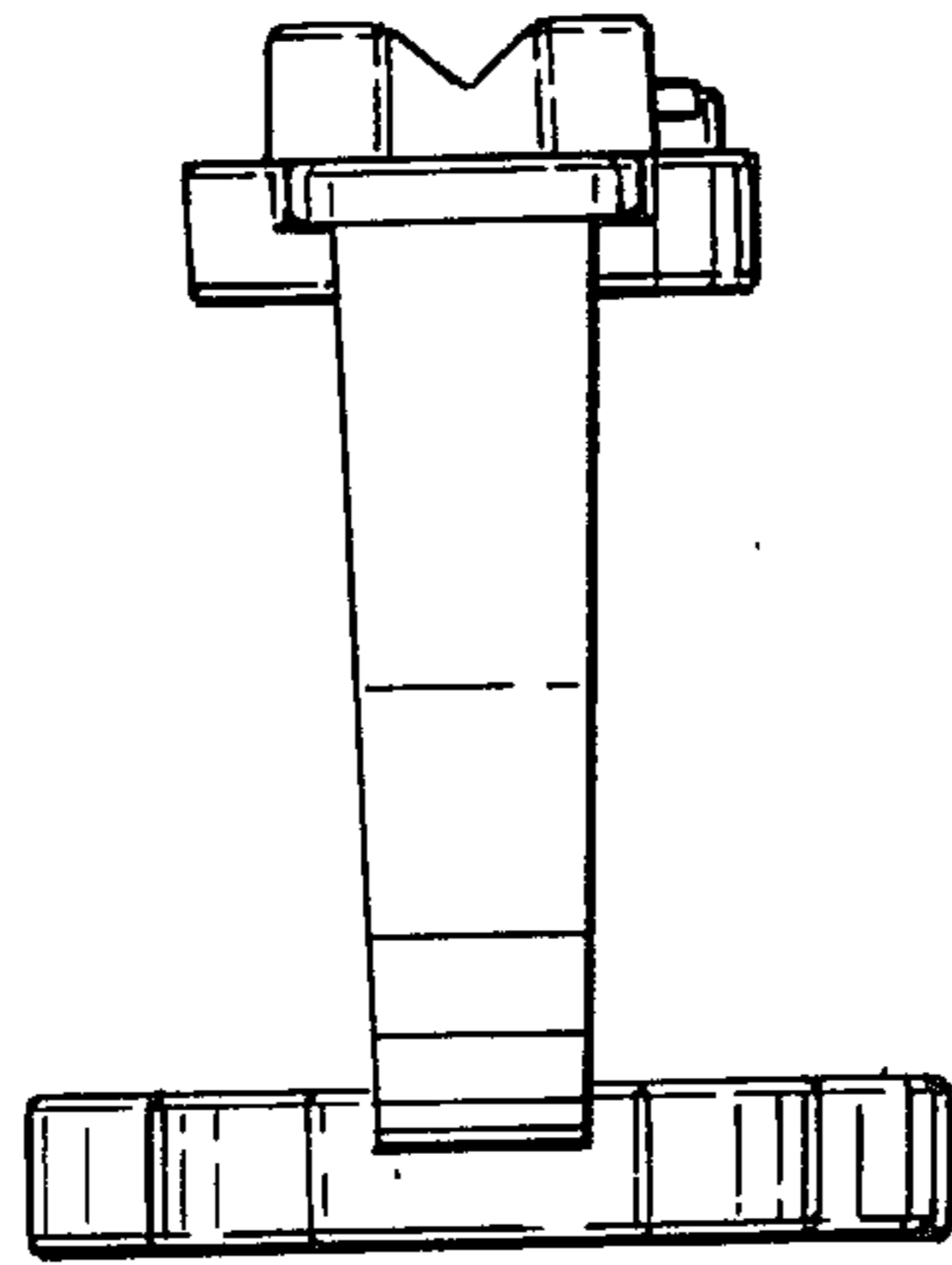


FIG. 5.

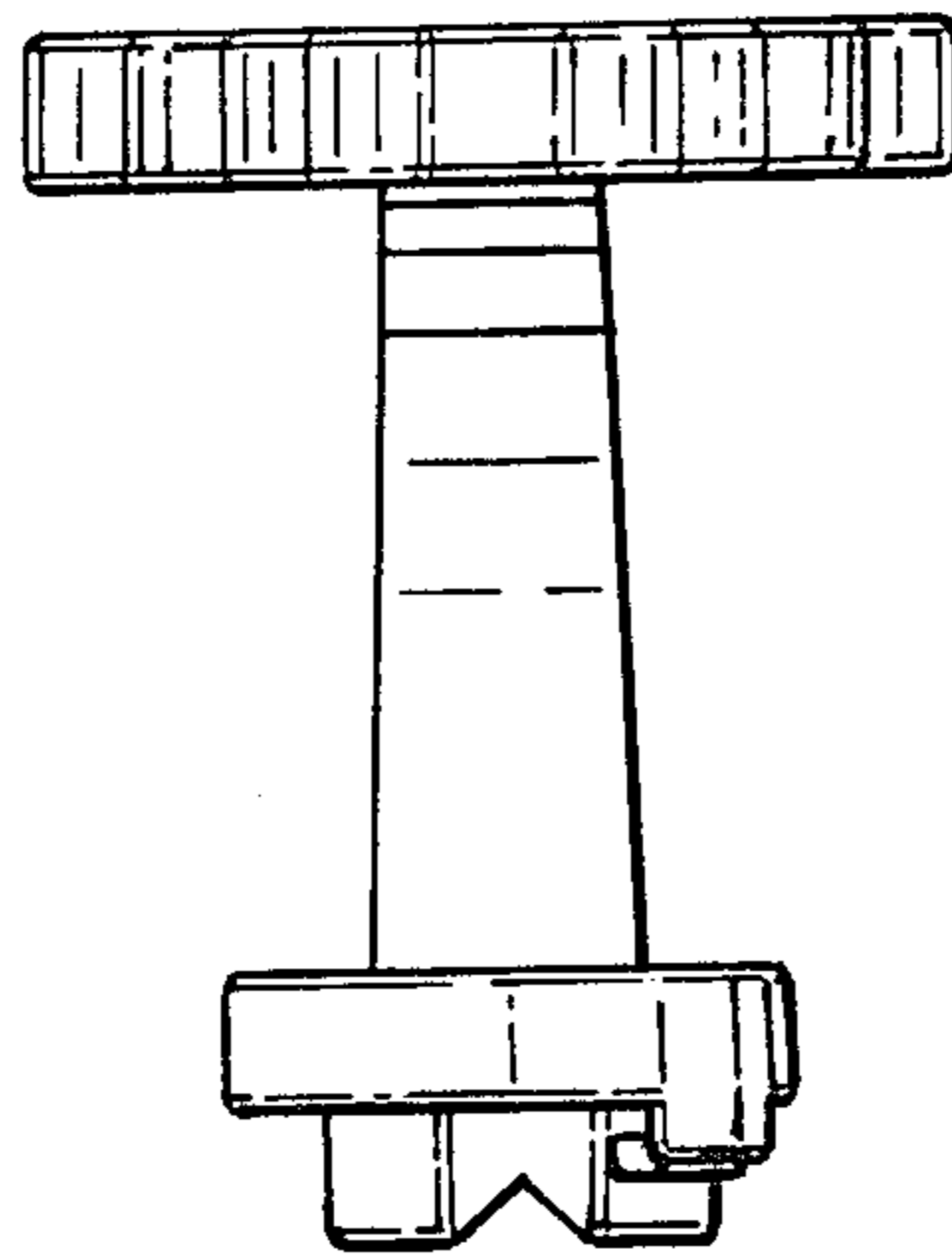


FIG. 6.