

[54] WIRELESS STEREO TRANSMITTER

[76] Inventor: Paul G. Vosburgh, 313 E. Maynard,
Durham, N.C. 27704

[**] Term: 14 Years

[21] Appl. No.: 761,529

[22] Filed: Aug. 1, 1985

[52] U.S. Cl. D14/95; D14/37

[58] Field of Search D14/1, 68, 76, 95, 96,
D14/99, 10, 11, 94; 455/91, 128

[56] References Cited

U.S. PATENT DOCUMENTS

- D. 67,624 6/1925 Taylor D14/96
- D. 206,442 12/1966 Mueller et al. D14/96
- D. 262,021 11/1981 Sistek et al. D14/1 X
- 4,434,507 2/1984 Thomas 455/128 X

Primary Examiner—Bernard Ansher
Assistant Examiner—Theodore M. Shooman

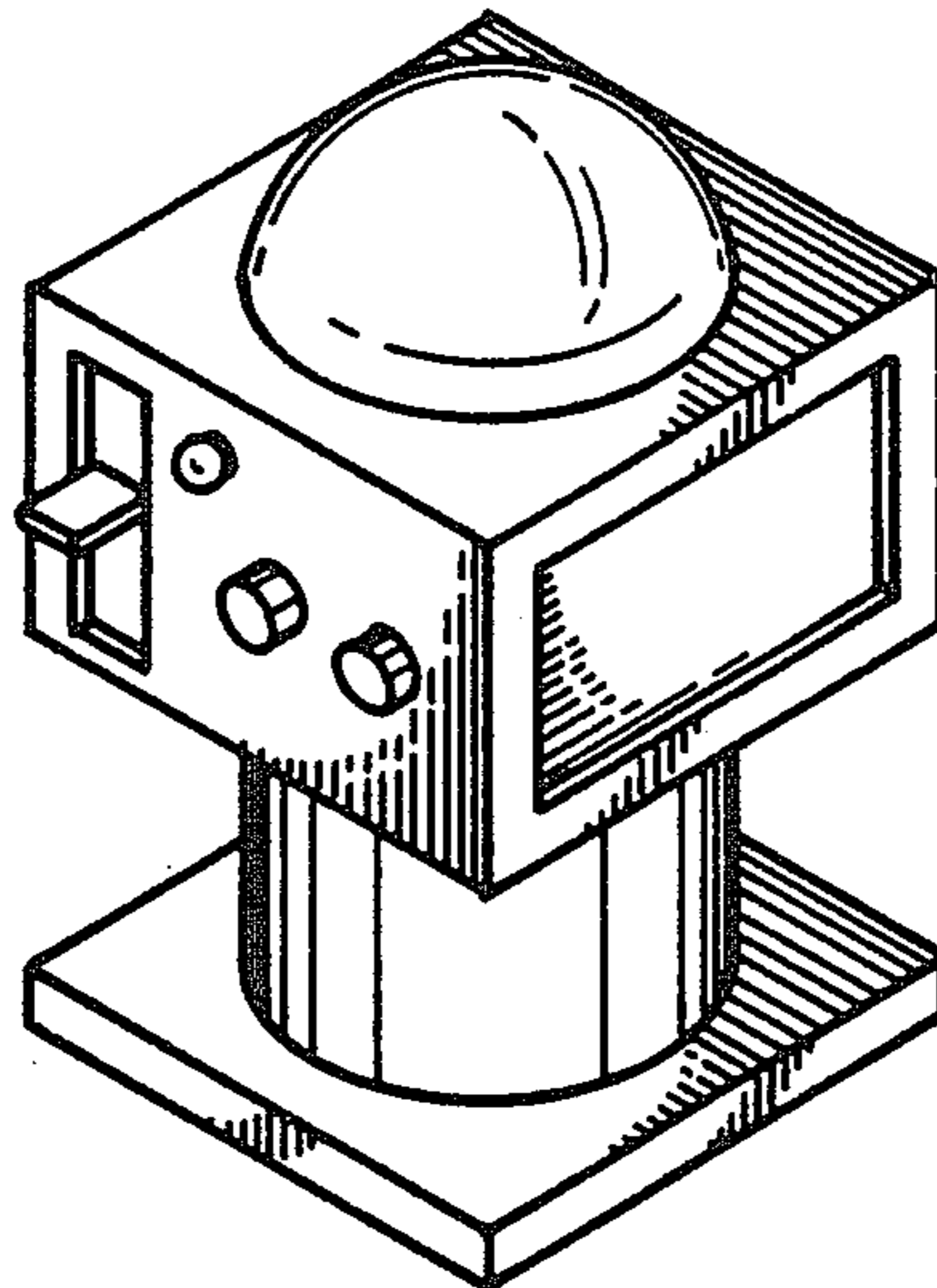
Attorney, Agent, or Firm—Terry M. Gernstein

[57] CLAIM

The ornamental design for a wireless stereo transmitter,
as shown and described.

DESCRIPTION

FIG. 1 is a top, front and right side perspective view of a wireless stereo transmitter showing my new design; FIG. 2 is a left side elevational view thereof; FIG. 3 is a top plan view thereof, rotated 90° from FIG. 1; FIG. 4 is a rear elevational view thereof; and FIG. 5 is a top, front and right side perspective view thereof, shown positioned within a conventional speaker unit. The bottom of the wireless stereo transmitter is plain and unornamented. The broken line showing of the conventional speaker unit is for illustrative purposes only and forms no part of the claimed design.



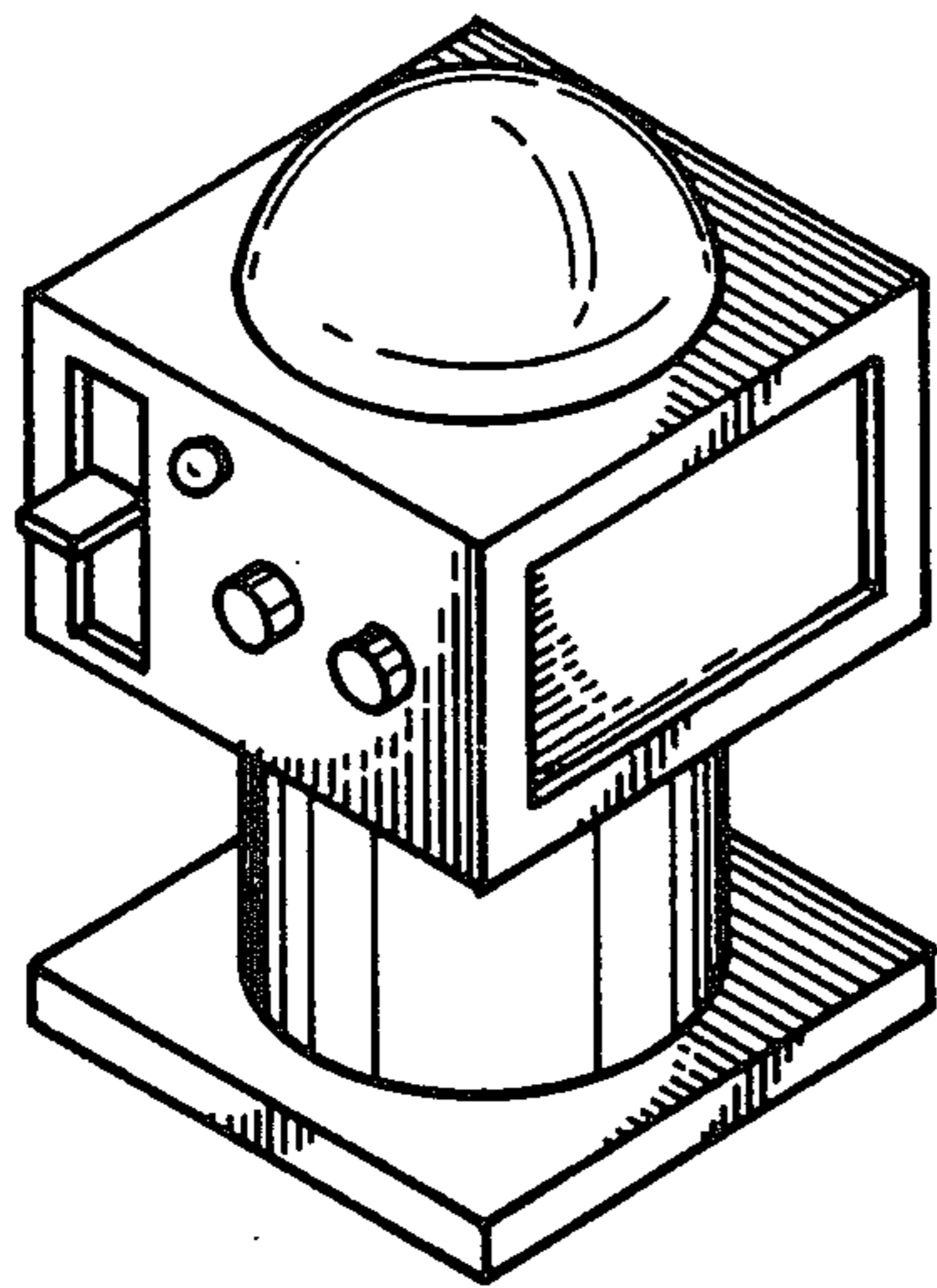


Fig. 1

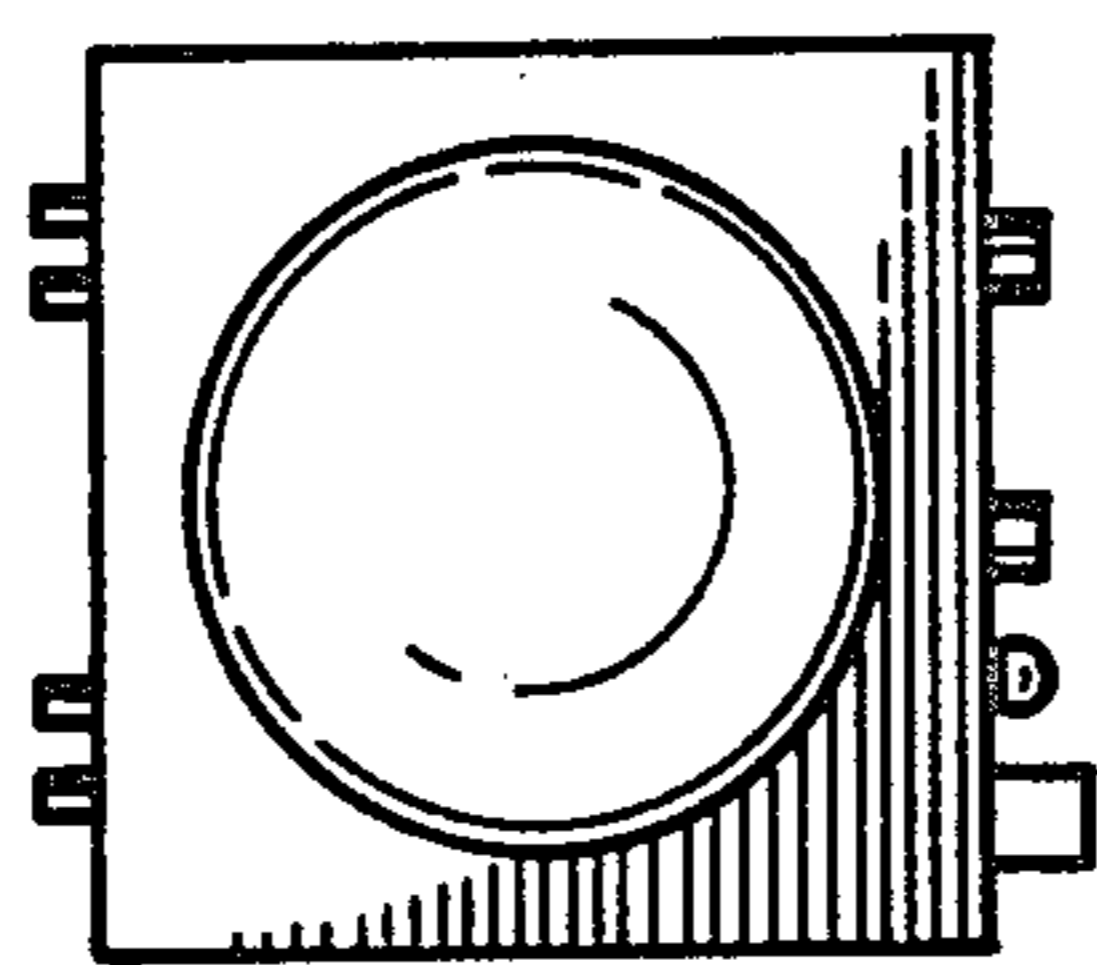


Fig. 3

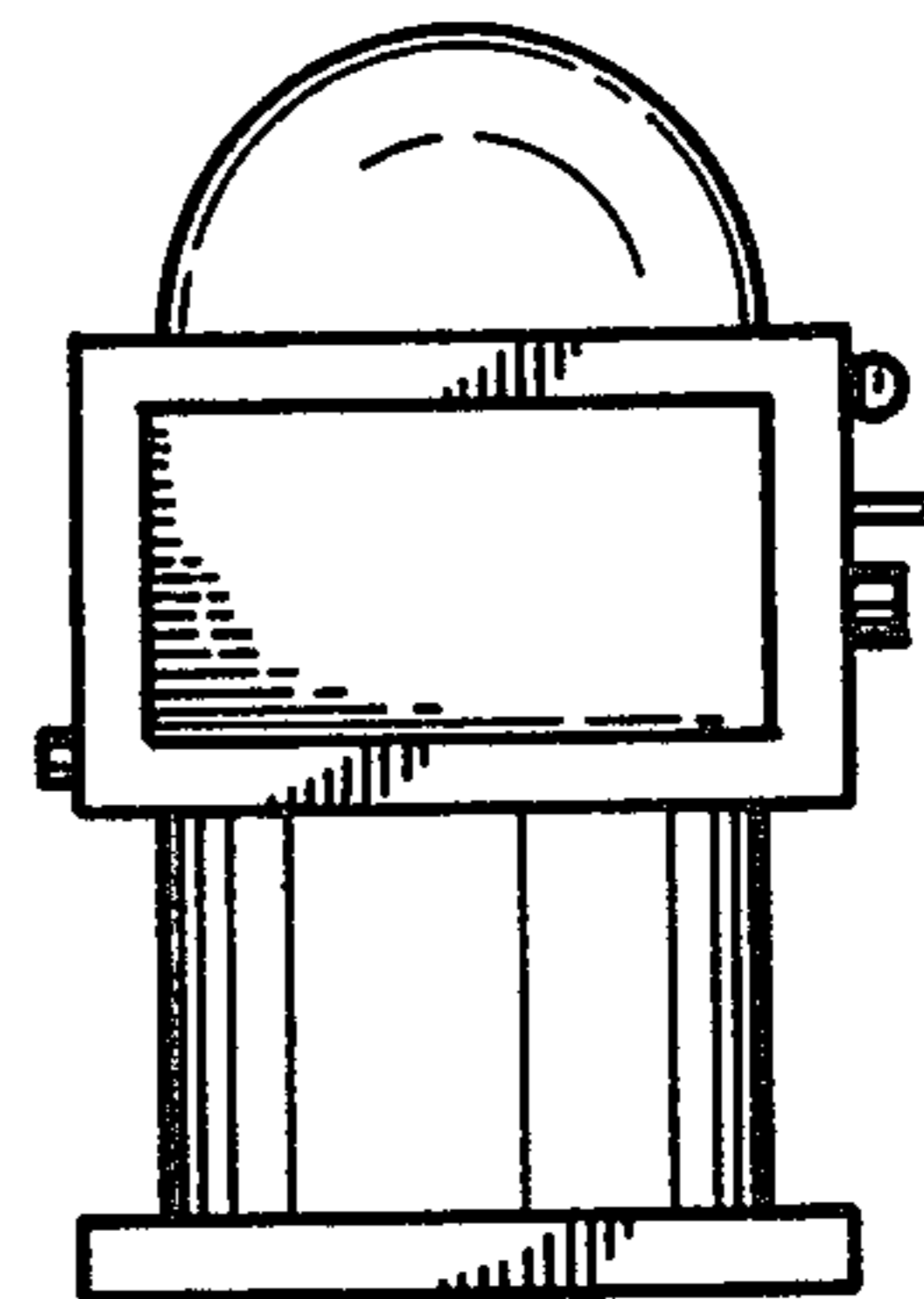


Fig. 2

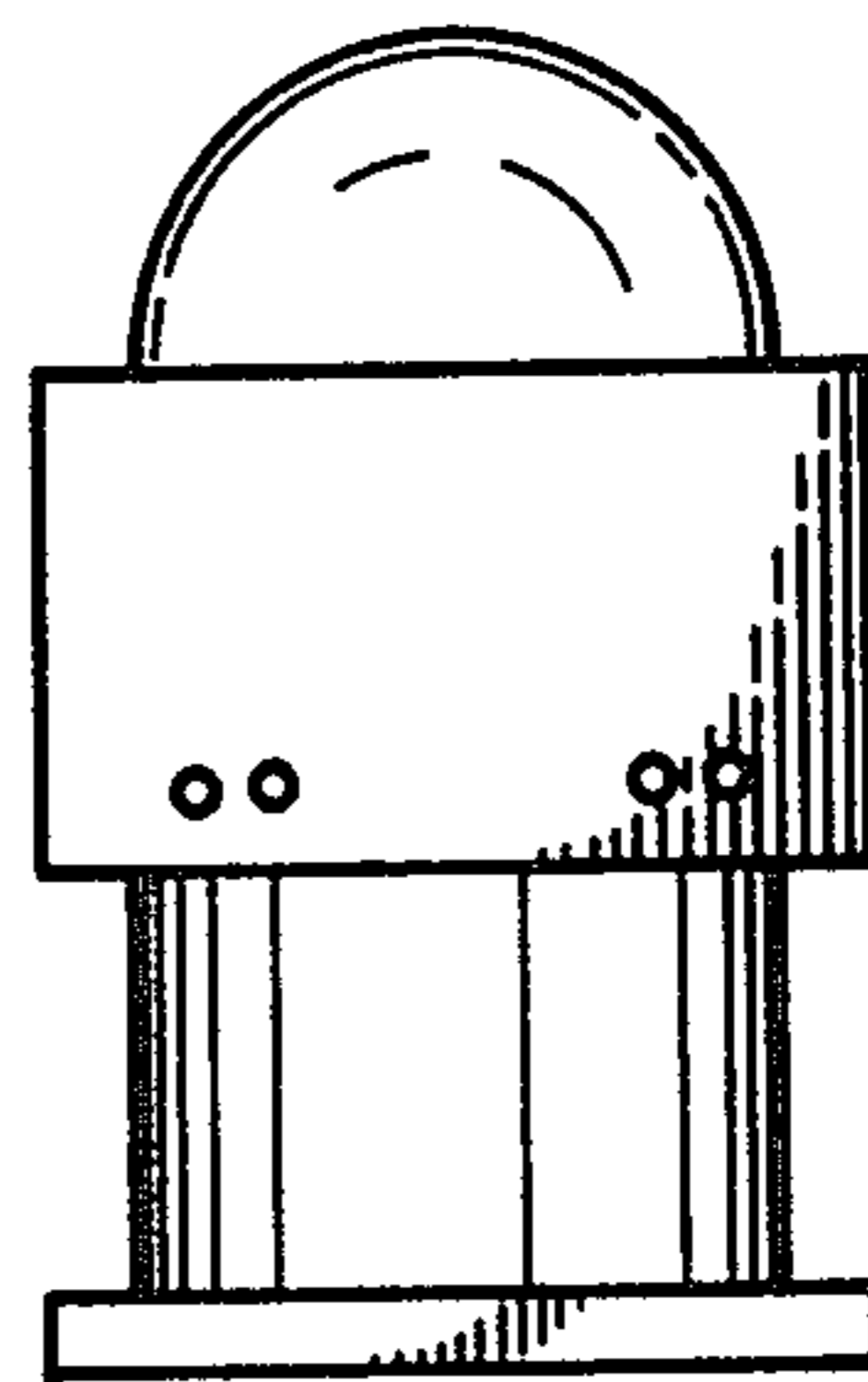


Fig. 4

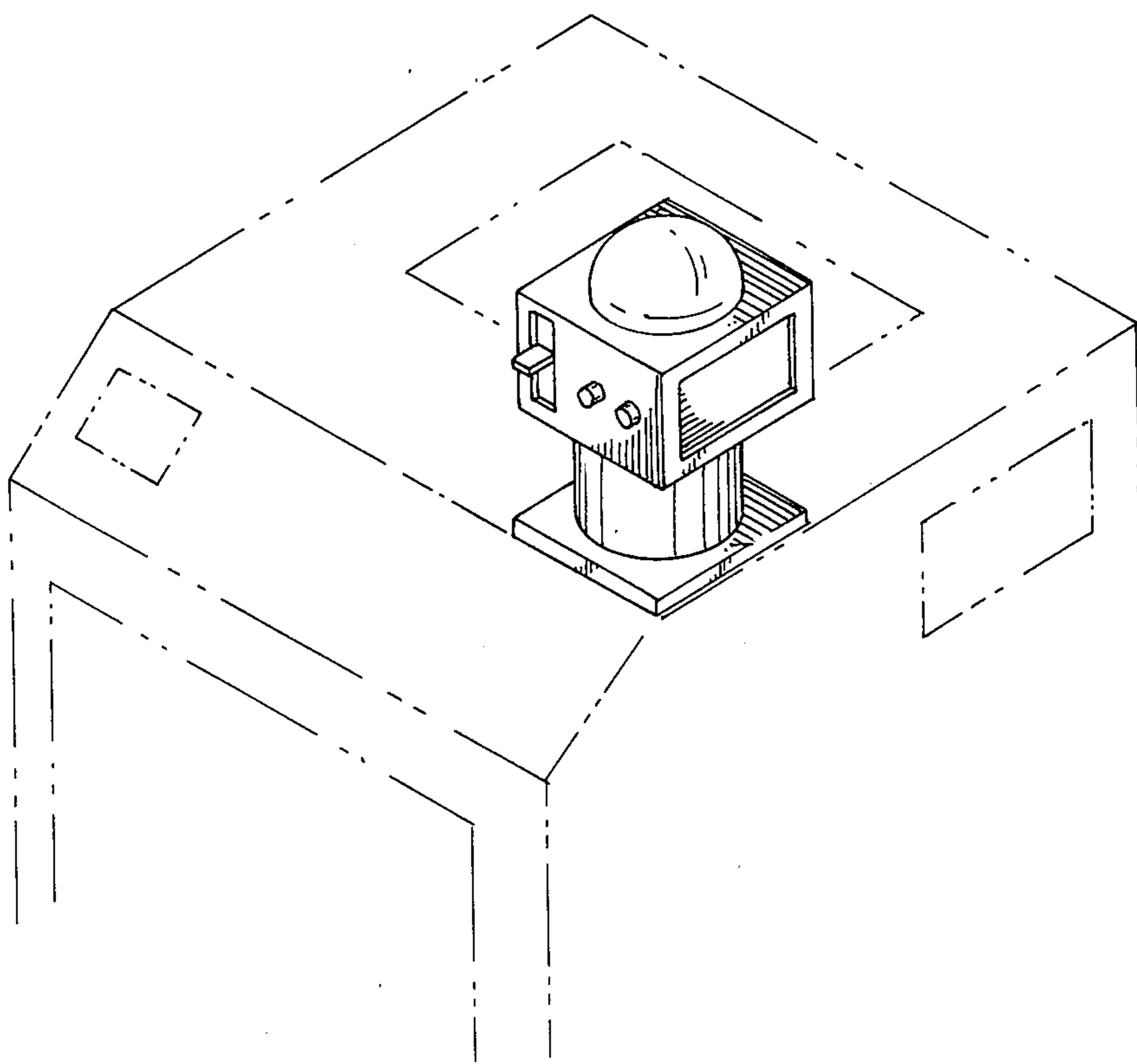


FIG. 5