

[54] DICTATION MACHINE

[75] Inventor: Lawrence Levow, Bayport, N.Y.

[73] Assignee: Norcom Electronics Corporation, Norwalk, Conn.

[**] Term: 14 Years

[21] Appl. No.: 821,432

[22] Filed: Jan. 22, 1986

[52] U.S. Cl. D14/3; D14/6

[58] Field of Search D14/1, 2, 3, 4, 5, 6, D14/99; 360/137; 346/134

[56] References Cited

U.S. PATENT DOCUMENTS

- D. 266,665 10/1982 Pulos et al. D14/3 X
- D. 267,089 11/1982 Doodson D14/3
- 4,317,143 2/1982 Osanai 360/137 X

OTHER PUBLICATIONS

The Sharper Image catalog, Sep. 1985, p. 5, top right Sony undercover microrecorder.

Office Products Dealer, Oct. 1985, p. 281-bottom left, Dictamite 3242.

W. Bell & Co., 1985 catalog, p. 335, Item 11-Olympus Micro Cassette Recorder.

B. A. Pargh 1985/86, fall/winter catalog, p. 237, middle right-model EX 9510EXP Microcassette Recorder.

Primary Examiner—Bruce W. Dunkins

Assistant Examiner—Theodore M. Shooman

Attorney, Agent, or Firm—Amster, Rothstein & Ebenstein

[57] CLAIM

The ornamental design for a dictation machine, as shown.

DESCRIPTION

FIG. 1 is a front elevational view of a dictation machine showing our new design;

FIG. 2 is a right side elevational view thereof;

FIG. 3 is a left side elevational view thereof;

FIG. 4 is a top plan view thereof;

FIG. 5 is a bottom plan view thereof;

FIG. 6 is a rear elevational view thereof.

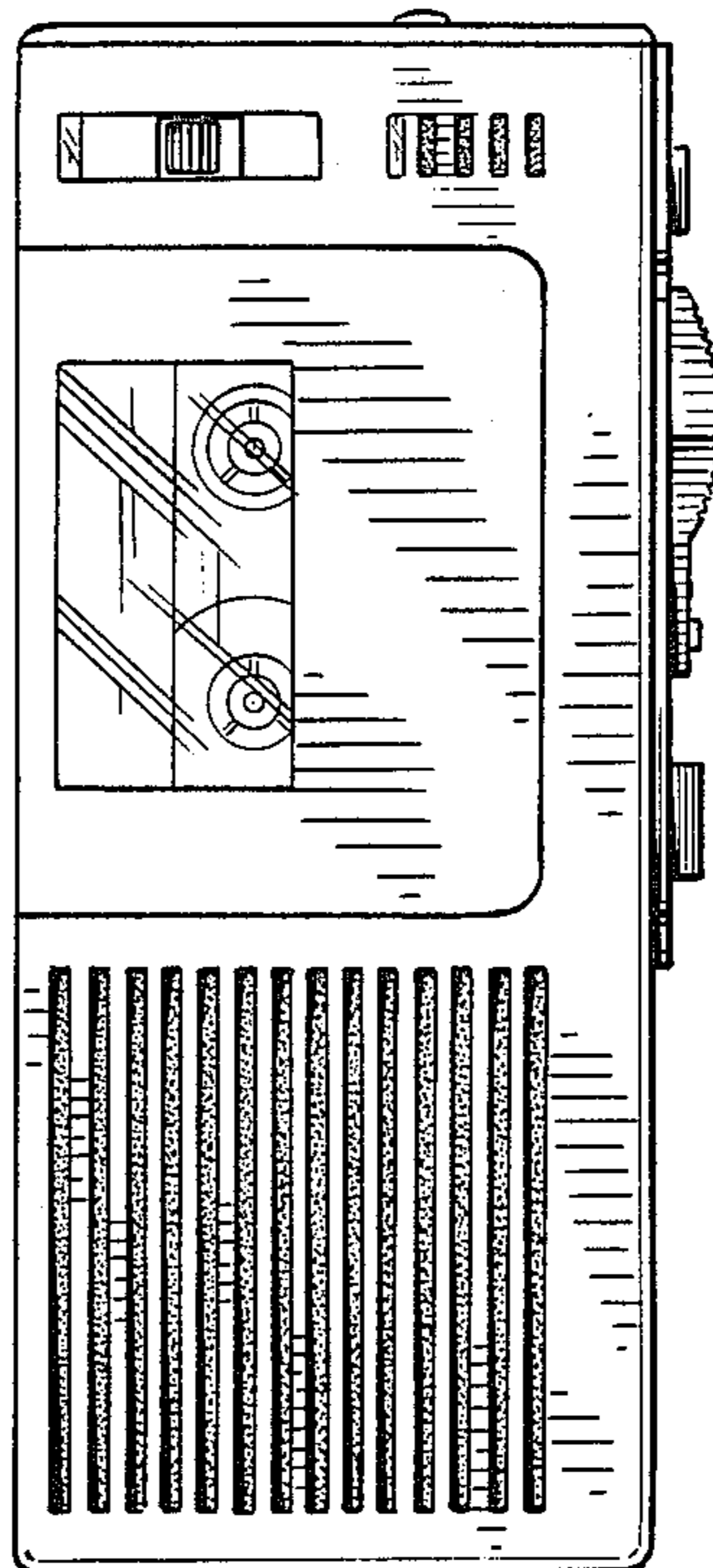


Fig. 1.

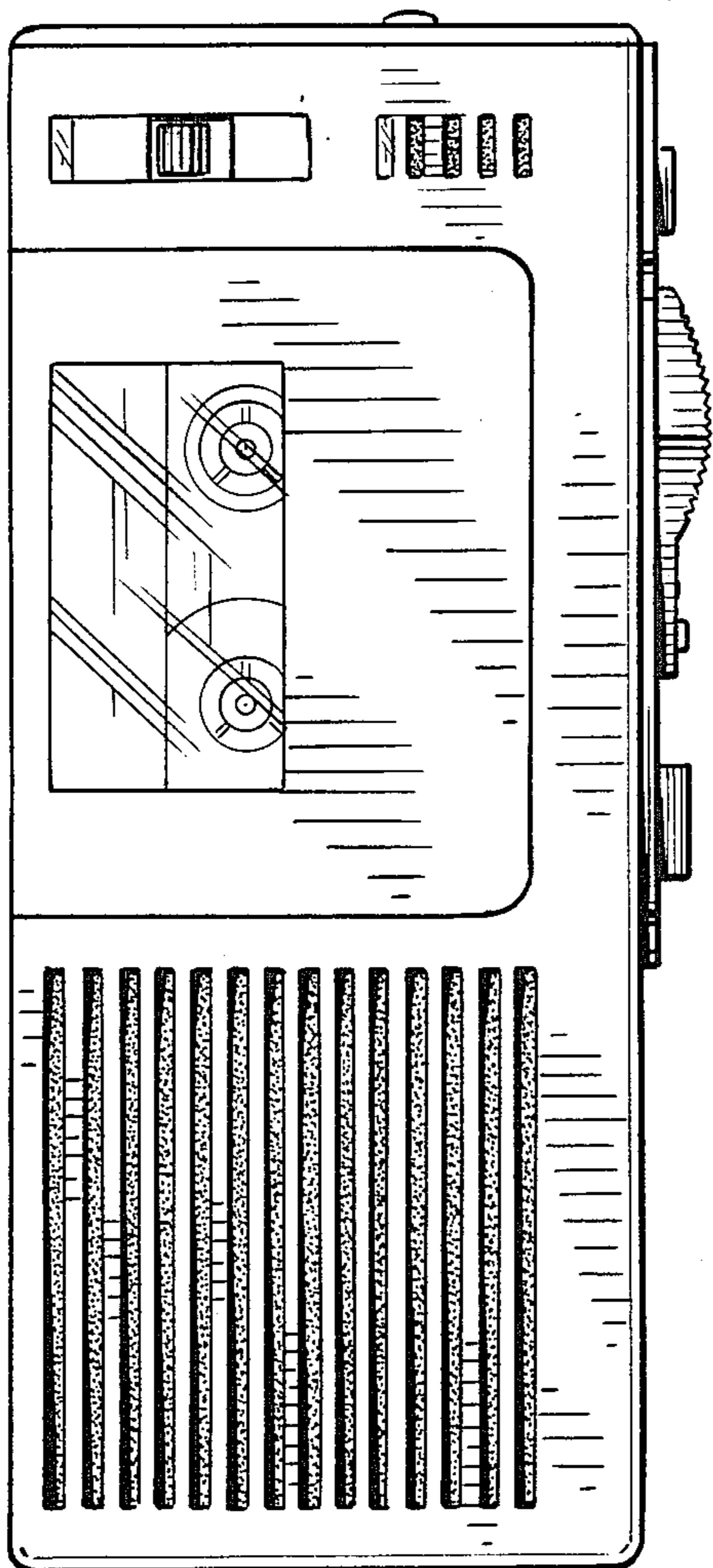


Fig. 2.

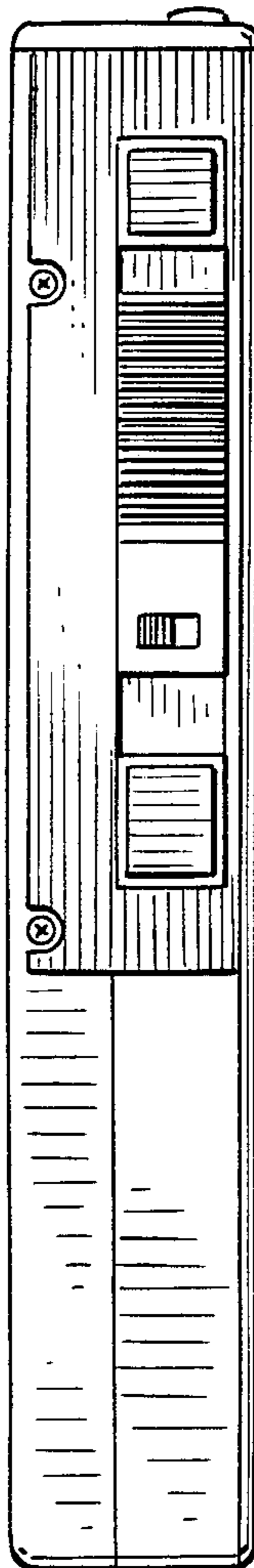


Fig. 4.

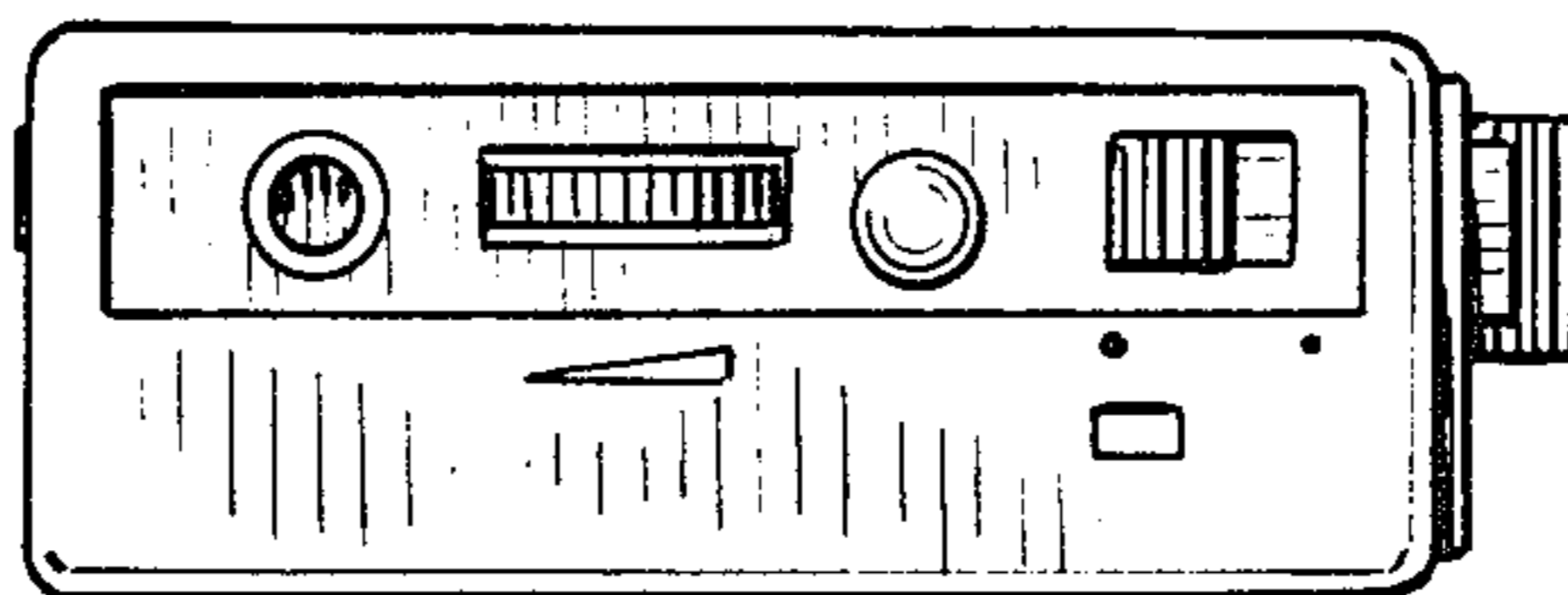


Fig. 3.

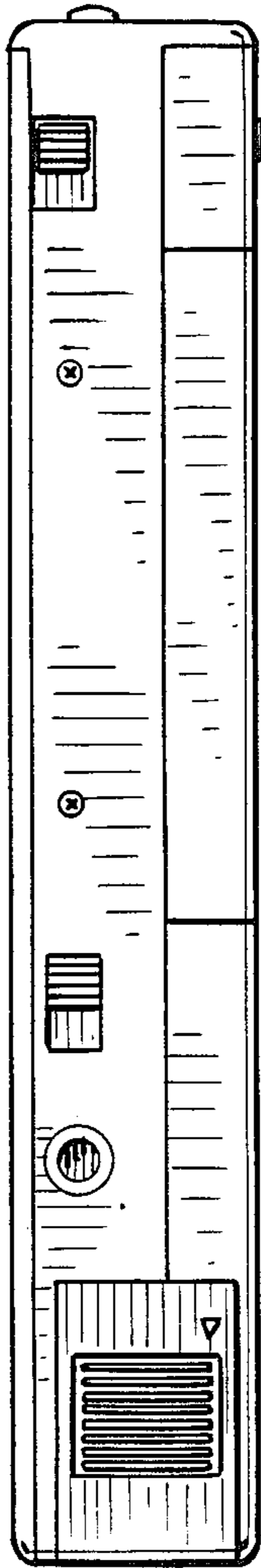


Fig. 6.

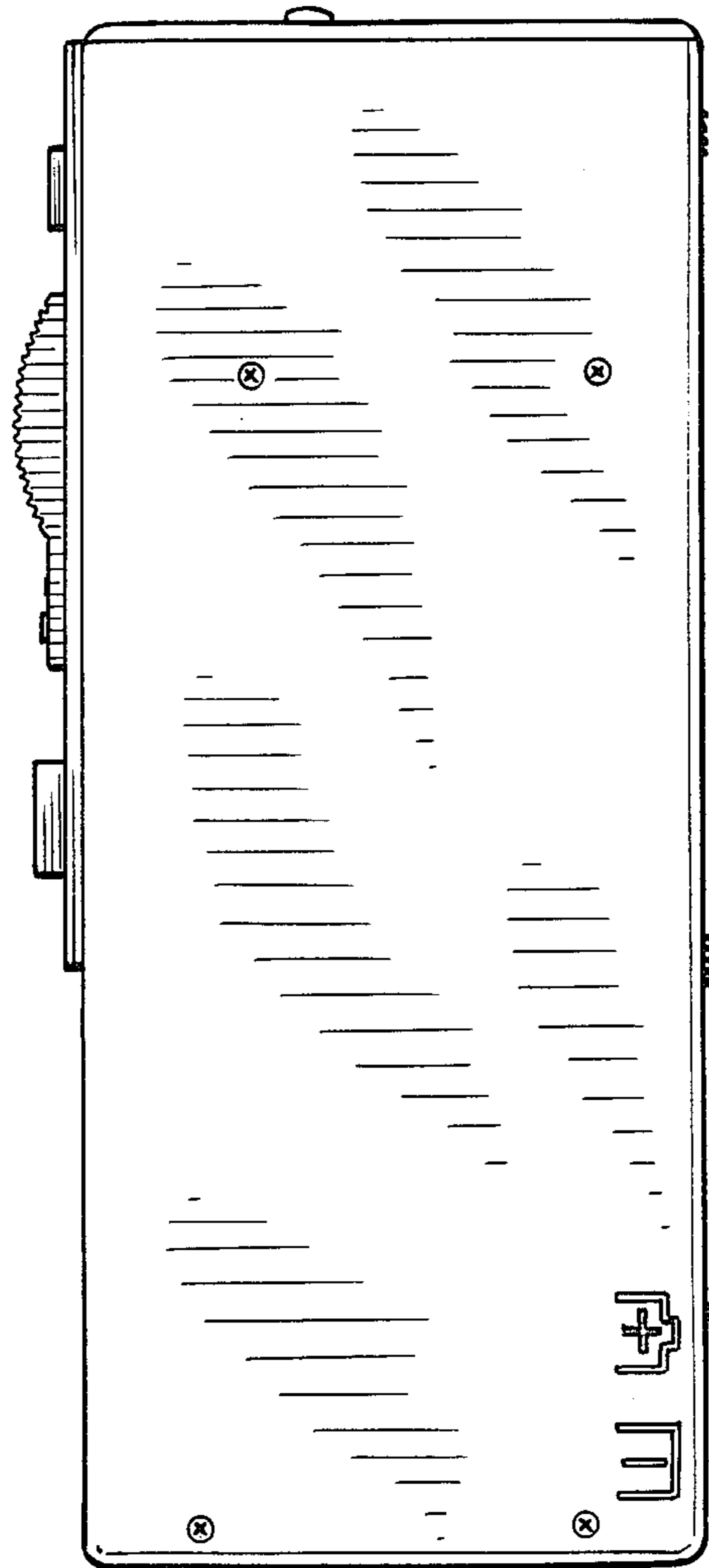


Fig. 5.

