

[54] FRONT BUMPER AND SPOILER FOR ATTACHMENT TO AN AUTOMOBILE

[75] Inventors: Björn E. A. Envall, Vänersborg; Erik Sörum, Kungälv, both of Sweden

[73] Assignee: Saab-Scania Aktiebolag, Trollhattan, Sweden

[\*\*] Term: 14 Years

[21] Appl. No.: 937,184

[22] Filed: Dec. 2, 1986

[52] U.S. Cl. .... D12/169

[58] Field of Search ..... D12/169; 293/102, 117

[56] References Cited

U.S. PATENT DOCUMENTS

- D. 290,693 7/1987 Fukuichi ..... D12/169
- D.292,387 10/1987 Oda ..... D12/169
- D. 292,902 11/1987 Miki ..... D12/169

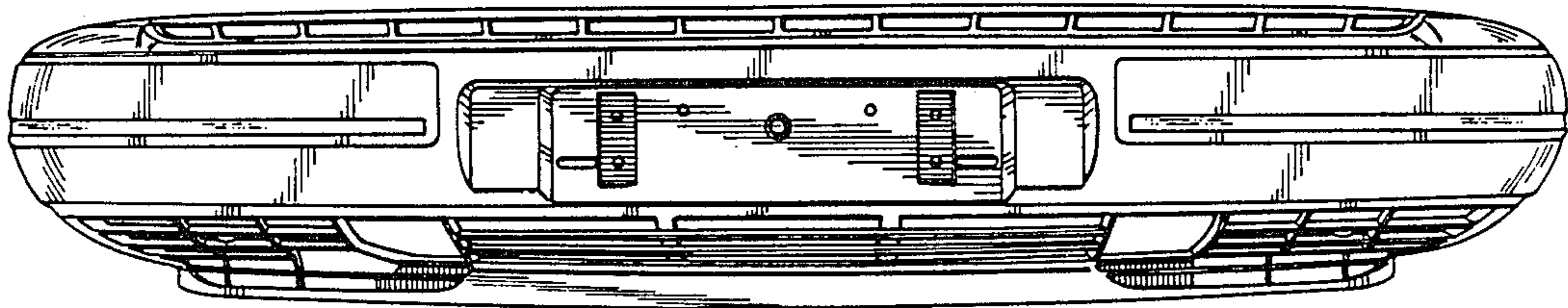
Primary Examiner—James M. Gandy  
Attorney, Agent, or Firm—Young & Thompson

[57] CLAIM

The ornamental design for a front bumper and spoiler for attachment to an automobile, as shown.

DESCRIPTION

FIG. 1 is a front elevational view of a front bumper and spoiler for attachment to an automobile, showing our new design;  
FIG. 2 is a rear perspective view thereof; and  
FIG. 3 is a front and side perspective view thereof, seen from below.



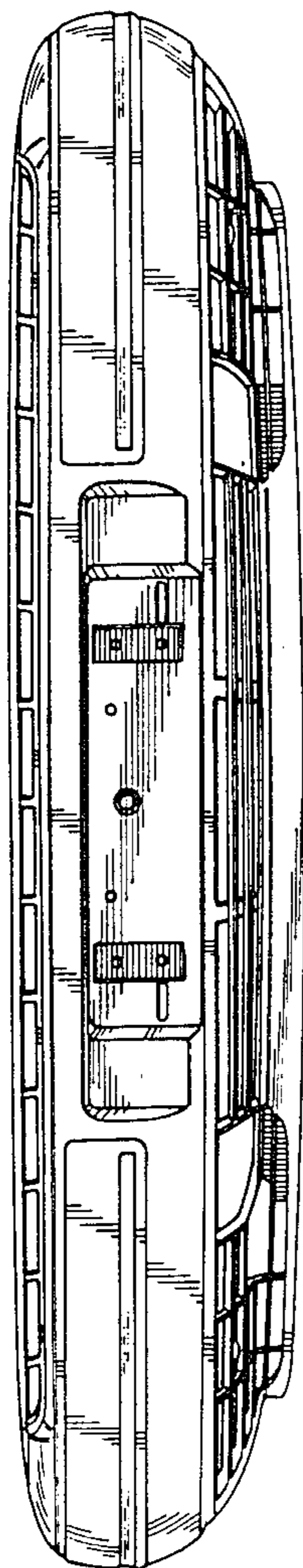


FIG. 1

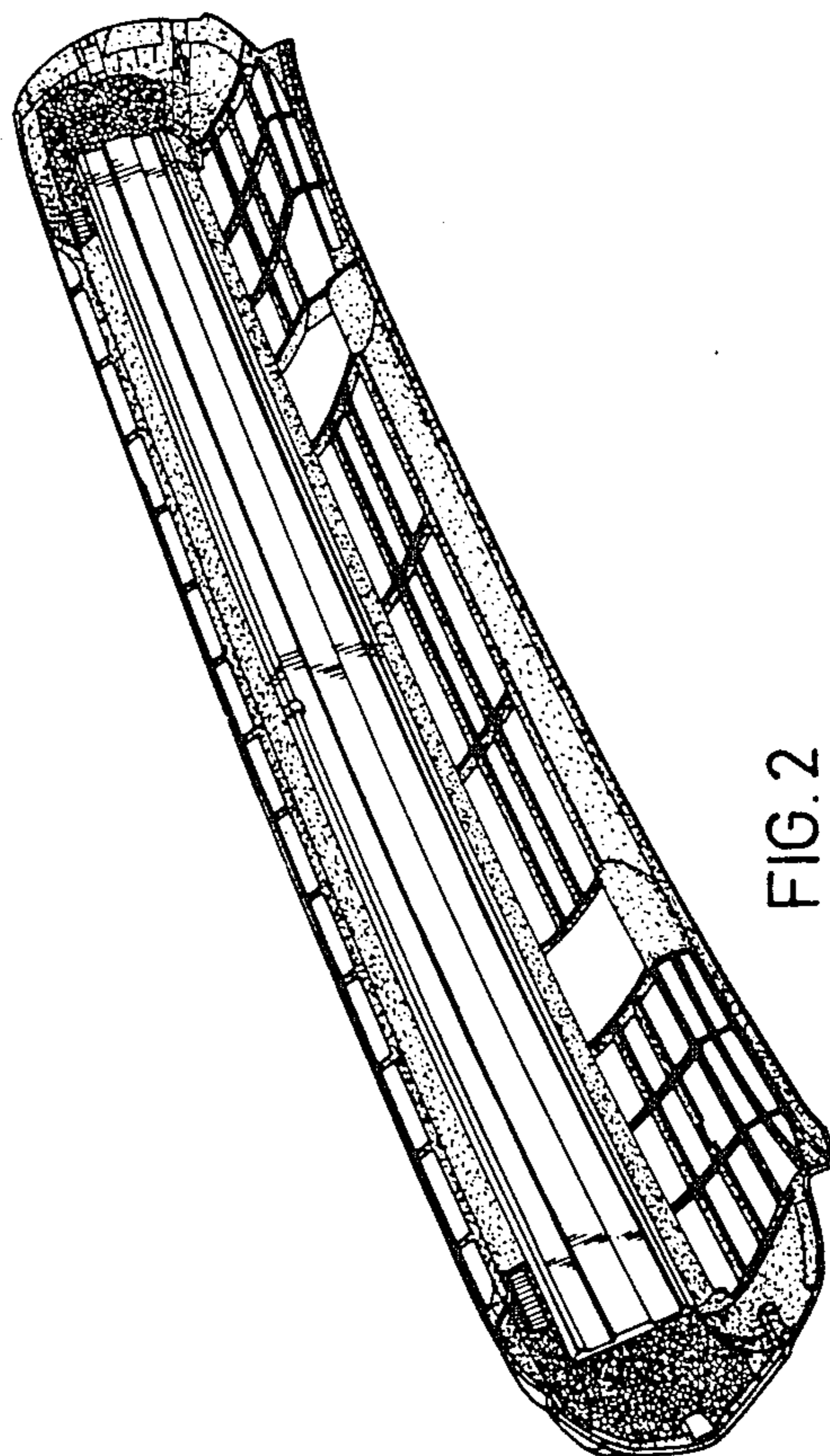


FIG. 2

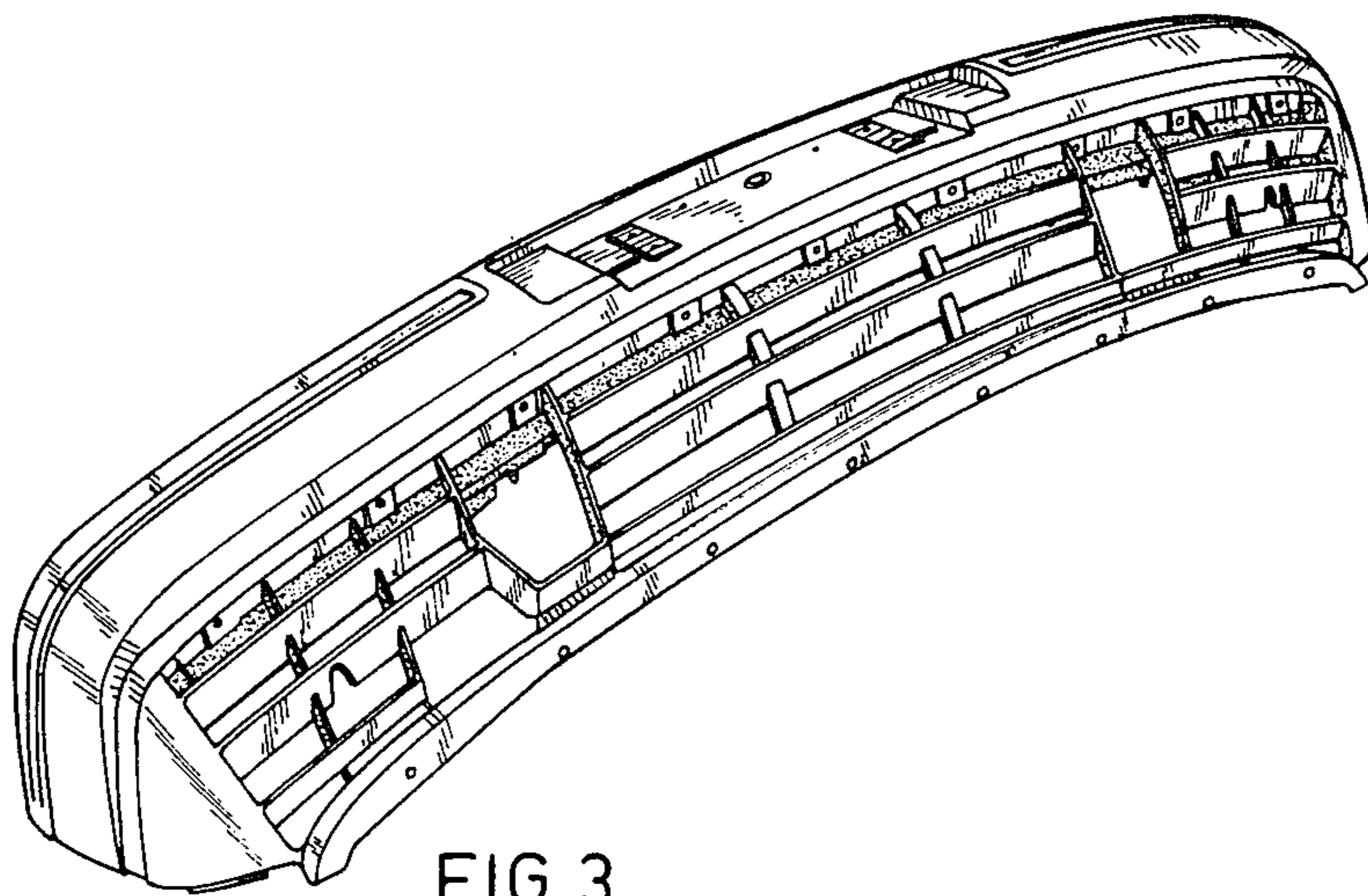


FIG. 3