

[54] MOTORCYCLE

[75] Inventors: Akiyoshi Kaneko; Mutsumi Koshiishi, both of Tokyo; Gianpiero T. Mazzarello, Komae, all of Japan

[73] Assignee: Honda Giken Kogyo Kabushiki Kaisha, Tokyo, Japan

[\*\*] Term: 14 Years

[21] Appl. No.: 847,878

[22] Filed: Apr. 3, 1986

[30] Foreign Application Priority Data

Oct. 7, 1985 [JP]	Japan .....	60-42081
[52] U.S. Cl. ....		D12/110
[58] Field of Search .....	D12/110; 180/219, 225,	180/229

[56] References Cited

U.S. PATENT DOCUMENTS

D. 274,052	5/1984	Iwakura et al. ....	D12/110
D. 274,421	6/1984	Iwakura et al. ....	D12/110
D. 277,090	1/1985	Iwakura et al. ....	D12/110

OTHER PUBLICATIONS

Cycle World, 7/85, p. 43, Suzuki Intruder, bottom of page.  
 Cycle World, 12/84, p. 32, Honda Magna, top left side of page.  
 Cycle World, 12/84, pp. 44 & 45, Yamaha V-Max & 700 Virago, bottom of page respectively.  
 Cycle World, 12/84, p. 35, Kawasaki Vulcan, top of page.

Primary Examiner—James M. Gandy  
 Attorney, Agent, or Firm—Kane, Dalsimer, Sullivan, Kurucz, Levy, Eisele and Richard

[57] CLAIM

The ornamental design for a motorcycle, as shown.

DESCRIPTION

FIG. 1 is a front elevation view of a motorcycle showing our new design;  
 FIG. 2 is a rear elevation view thereof;  
 FIG. 3 is a top plan view thereof;  
 FIG. 4 is a bottom view thereof;  
 FIG. 5 is a right side elevation view thereof;  
 FIG. 6 is a left side elevation view thereof; and  
 FIG. 7 is a perspective view thereof.

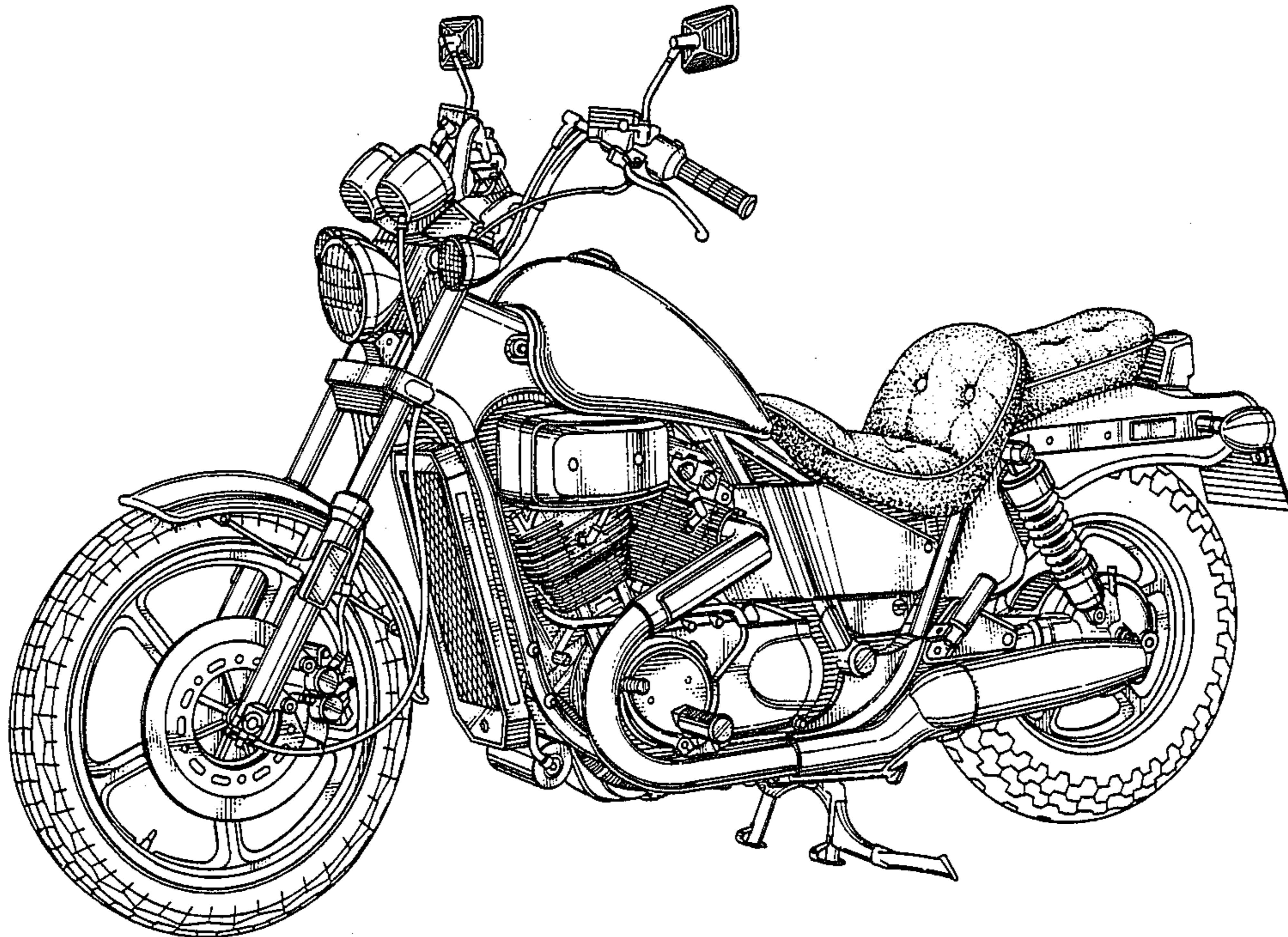


FIG. 2

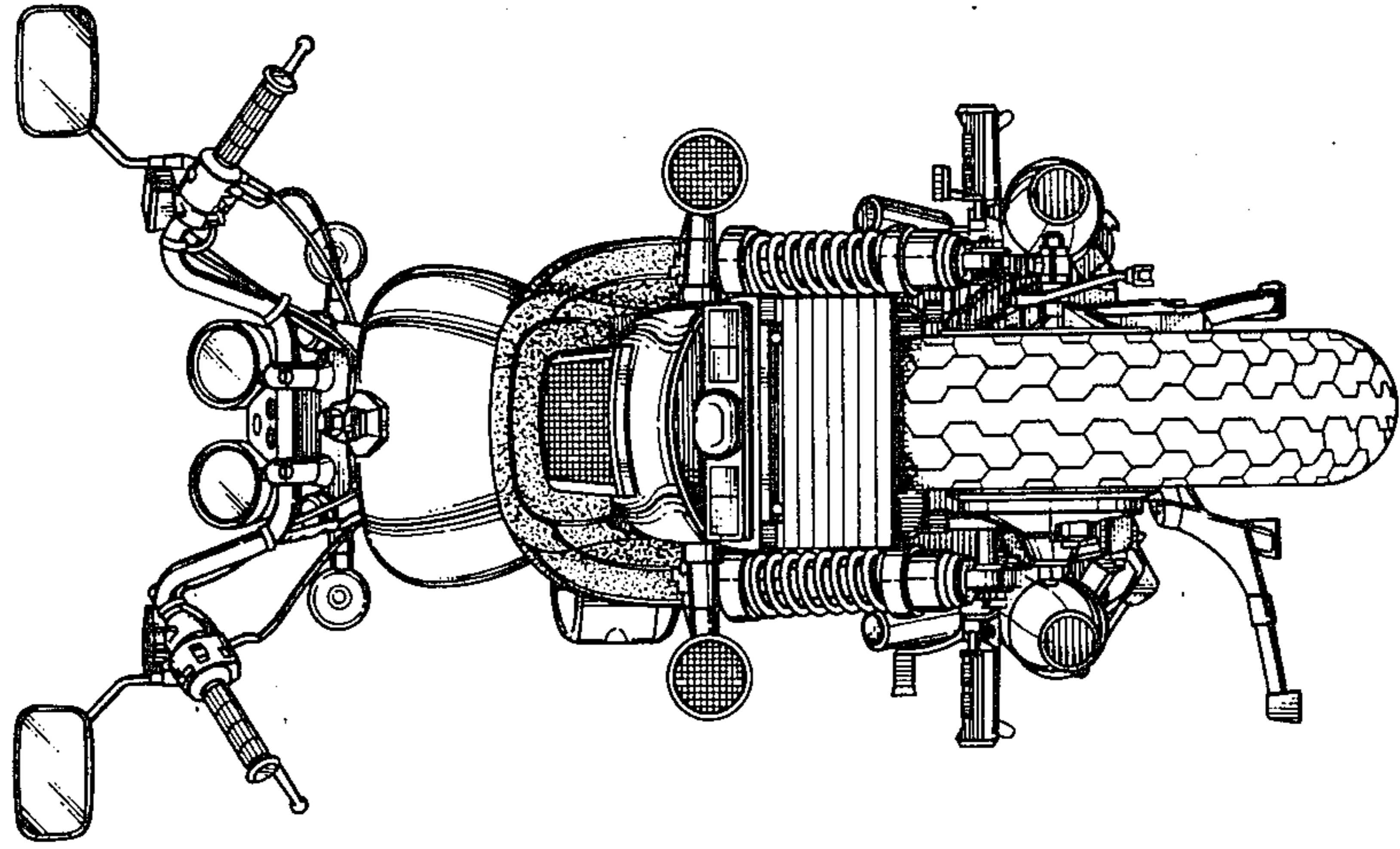


FIG. 1

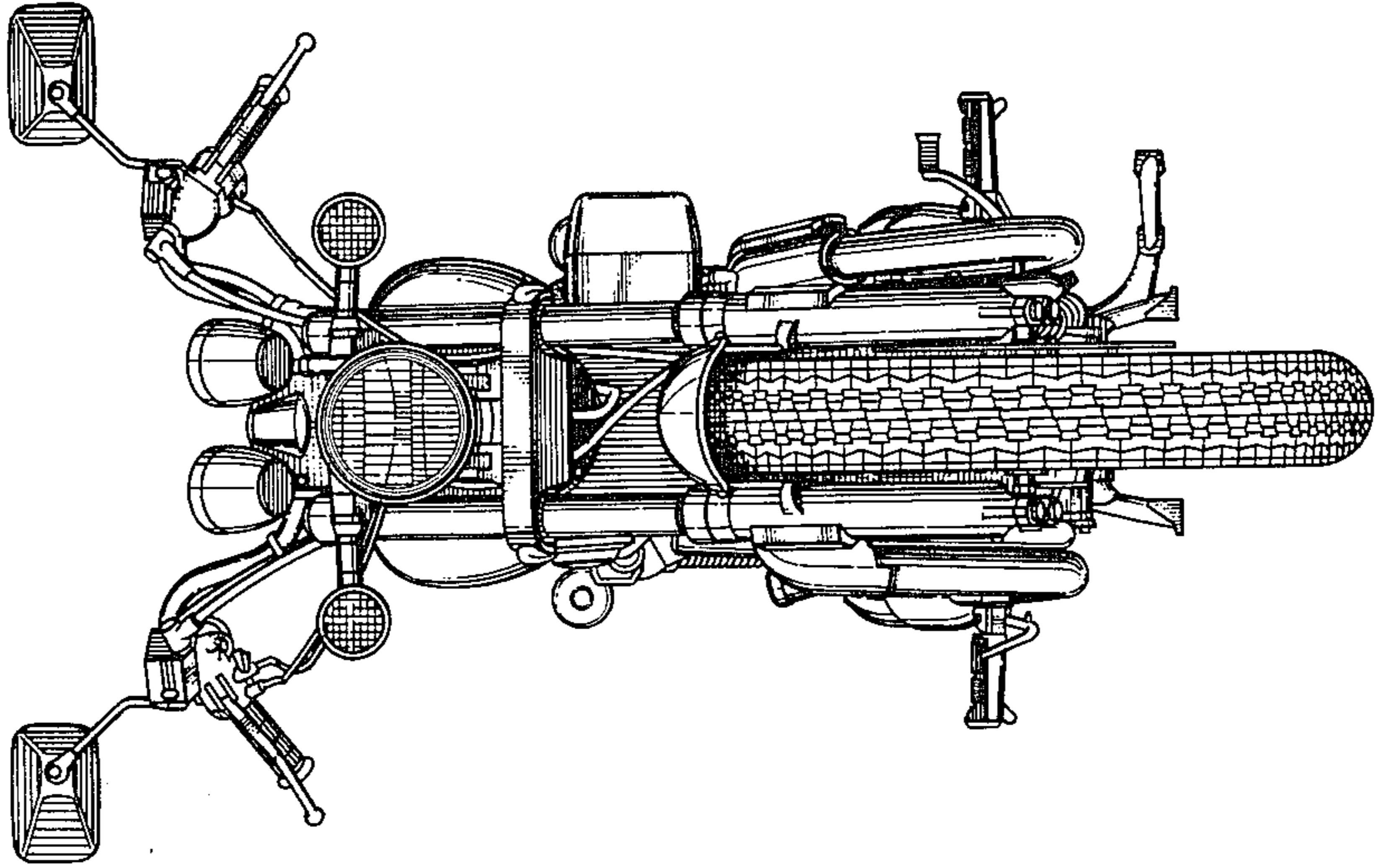


FIG. 3

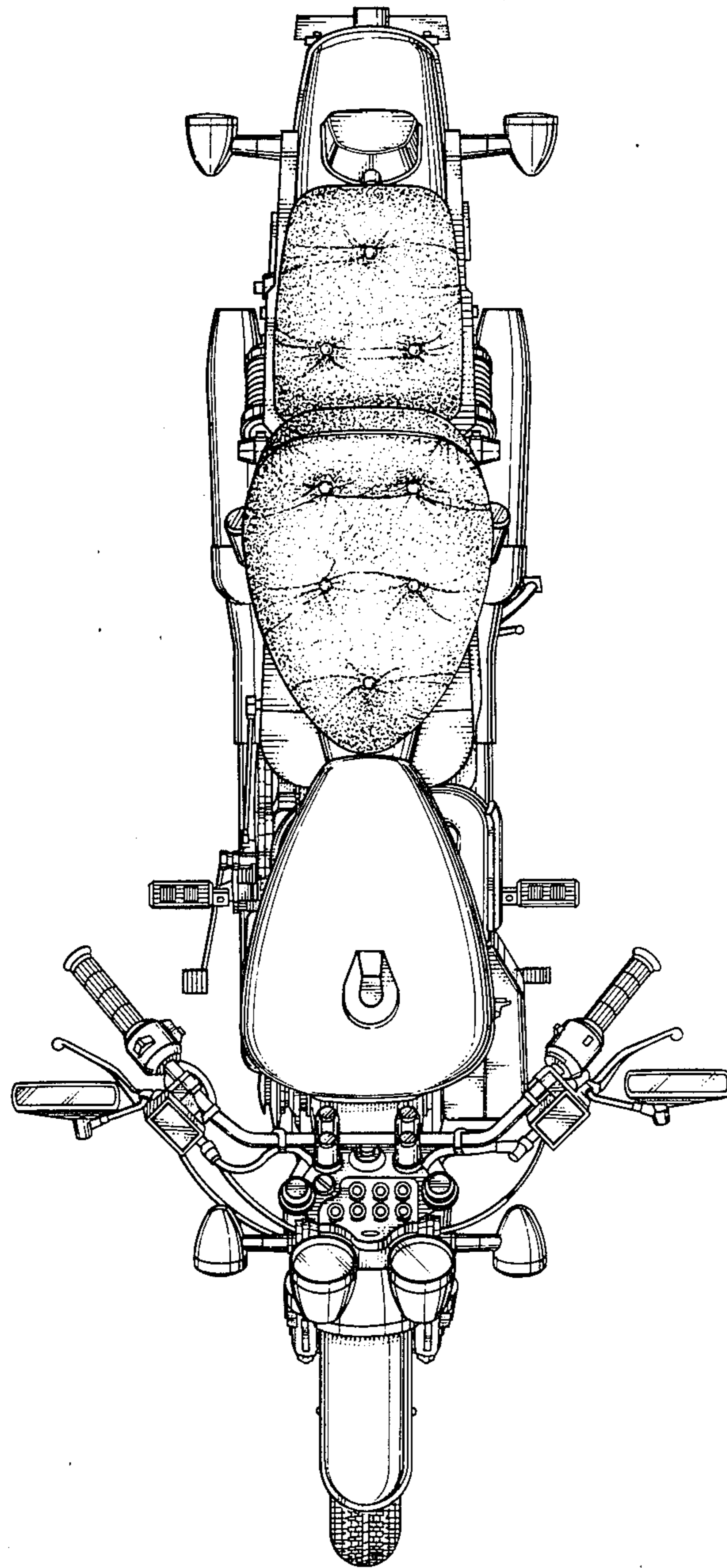


FIG. 4

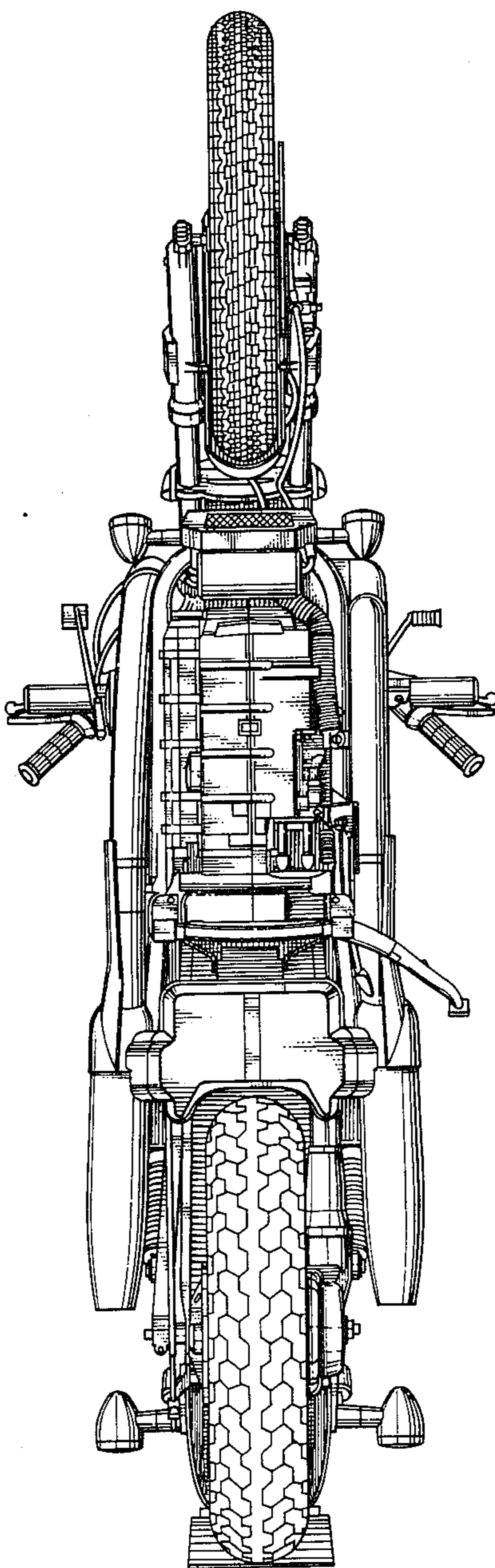
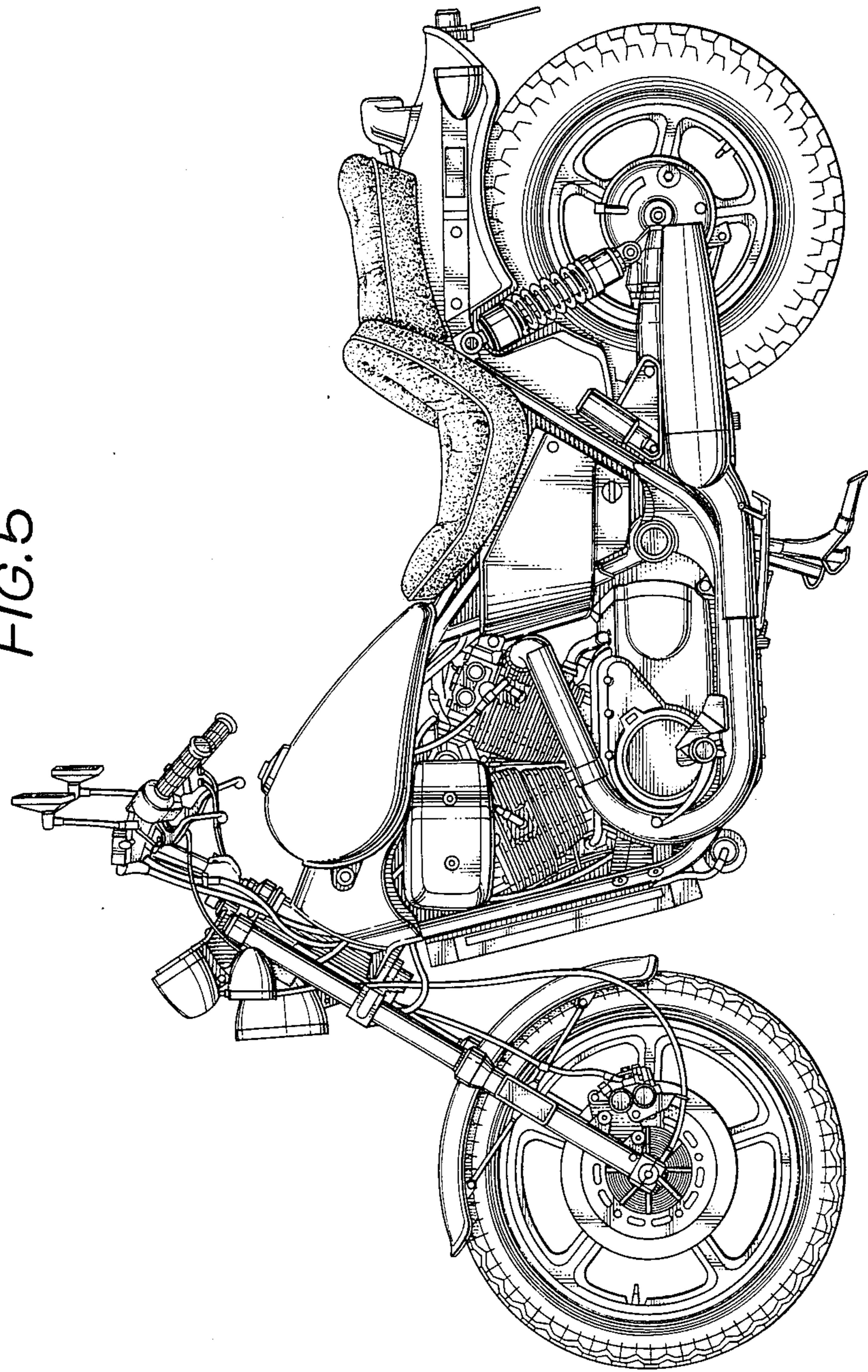


FIG. 5



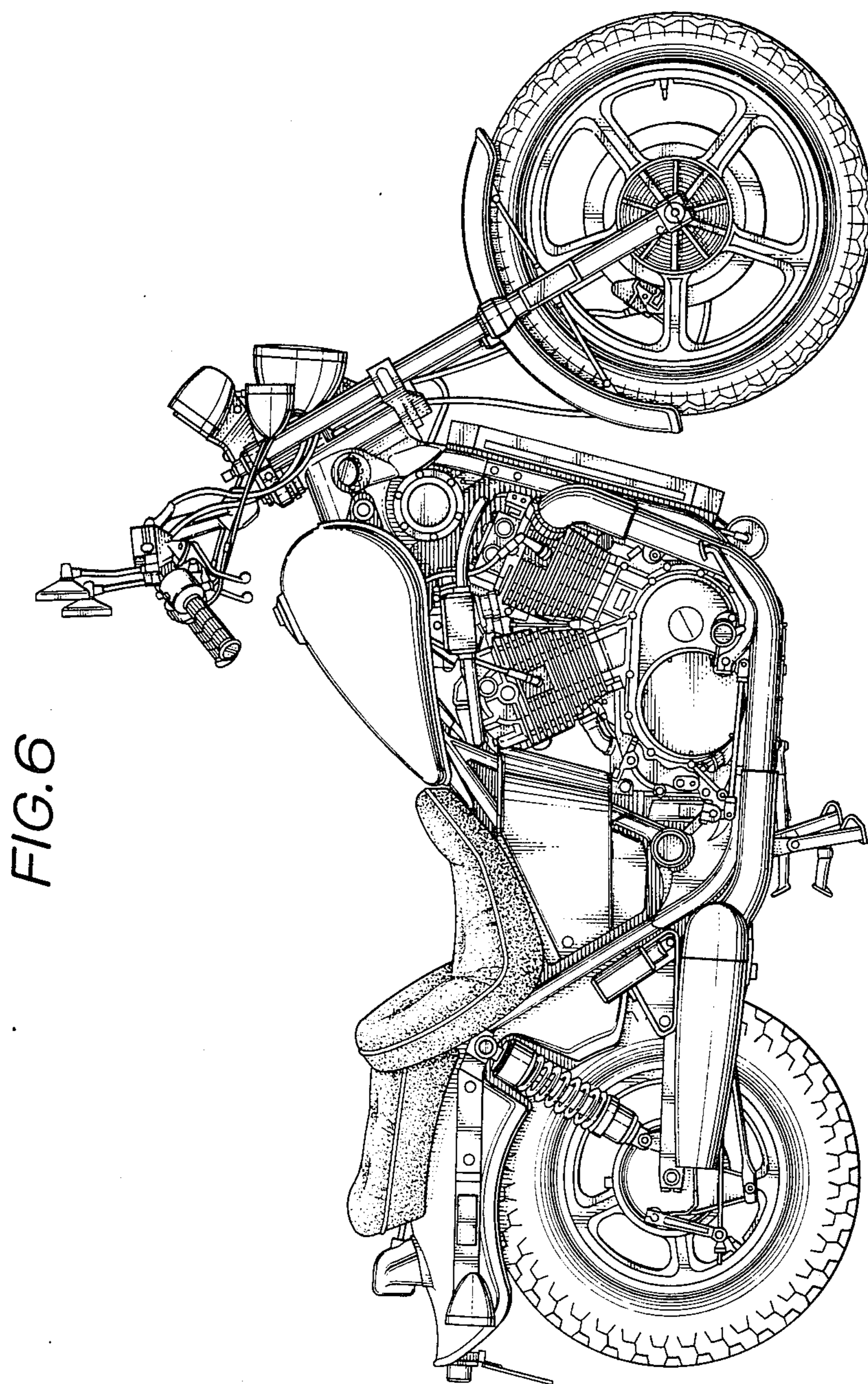


FIG. 6

FIG. 7

