

[54] SENSOR COVER

[56] References Cited

[75] Inventor: Winston T. Y. Chu, Arcadia, Calif.

U.S. PATENT DOCUMENTS

D. 255,883 7/1980 Ferenc D10/121
D. 287,107 12/1986 Bergeron et al. D10/121

[73] Assignee: Art Sea Development (USA) Corp.,
Arcadia, Calif.

Primary Examiner—Catherine E. Kemper
Attorney, Agent, or Firm—James E. Brunton

[**] Term: 14 Years

[57] CLAIM

The ornamental design for sensor cover, substantially as shown.

[21] Appl. No.: 845,055

DESCRIPTION

FIG. 1 is a front elevational view of a sensor cover, showing my new design;

FIG. 2 is a rear elevational view thereof;

FIG. 3 is a top plan view thereof;

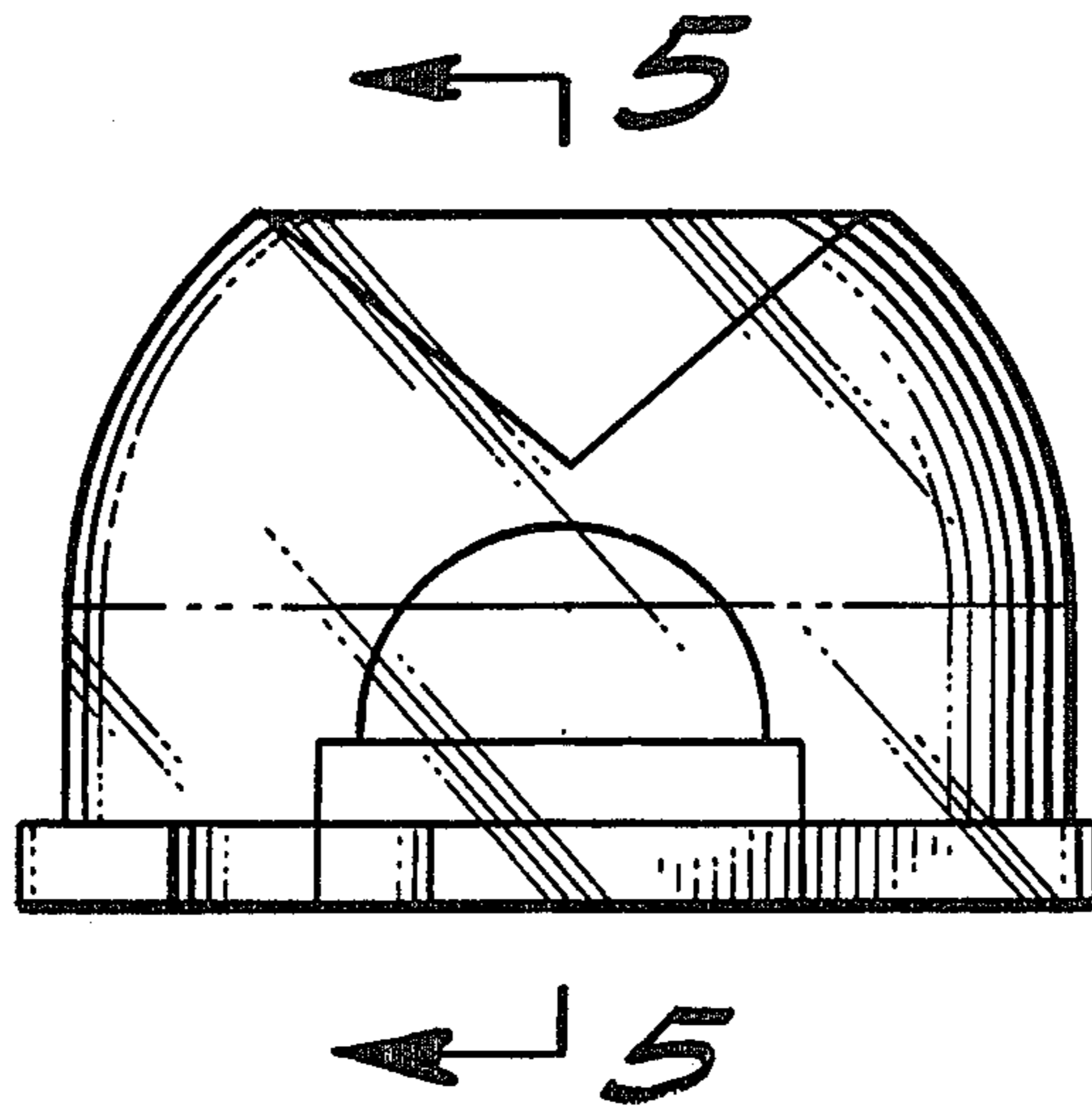
FIG. 4 is a bottom plan view thereof; and

FIG. 5 is a cross-sectional view taken along lines 5—5 of FIG. 1.

[22] Filed: Mar. 18, 1986

[52] U.S. Cl. D10/104; D10/121

[58] Field of Search D10/104, 121; 250/347,
250/353, 338, 343; 340/541-567



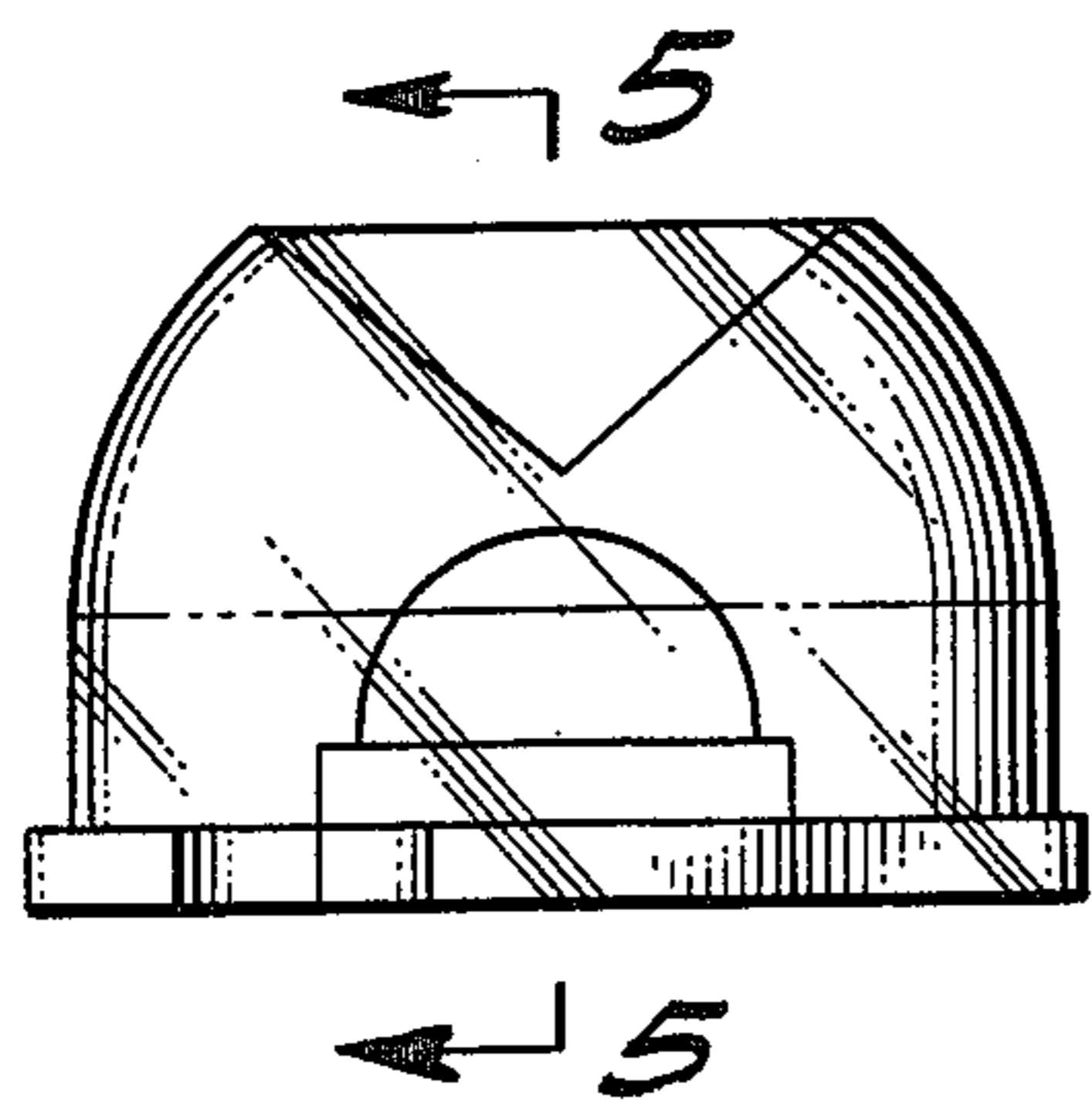


FIG. 1

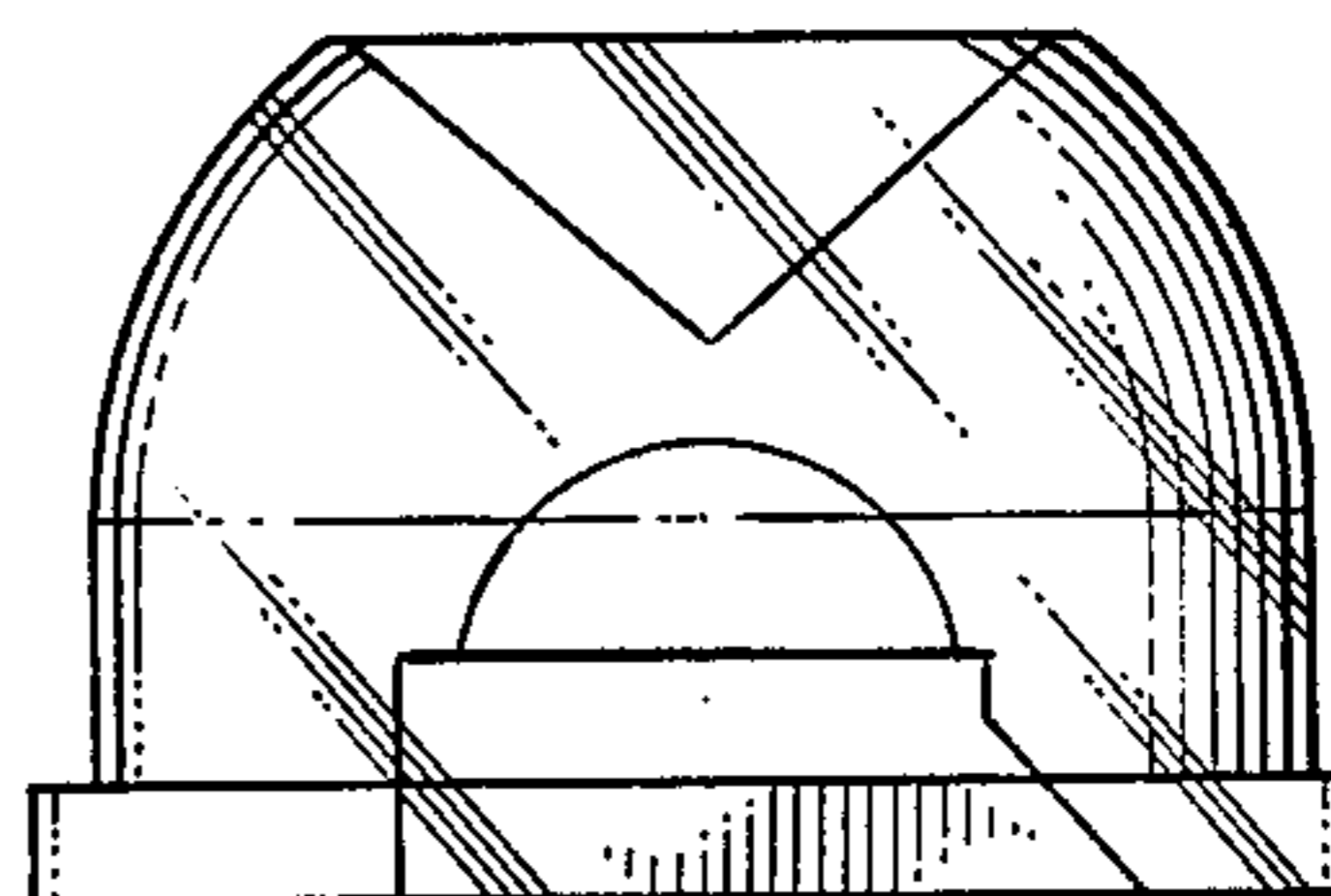


FIG. 2

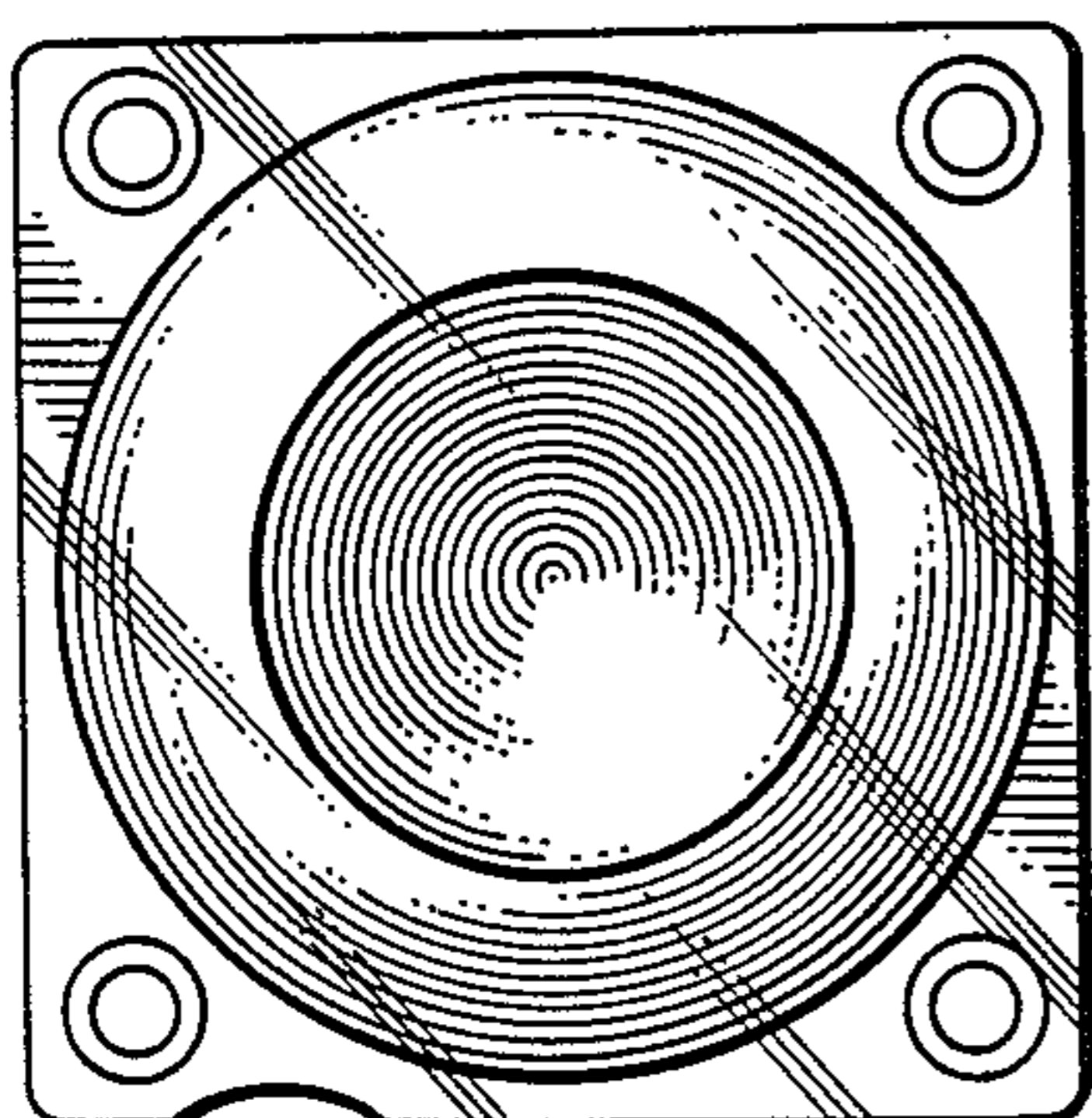


FIG. 3

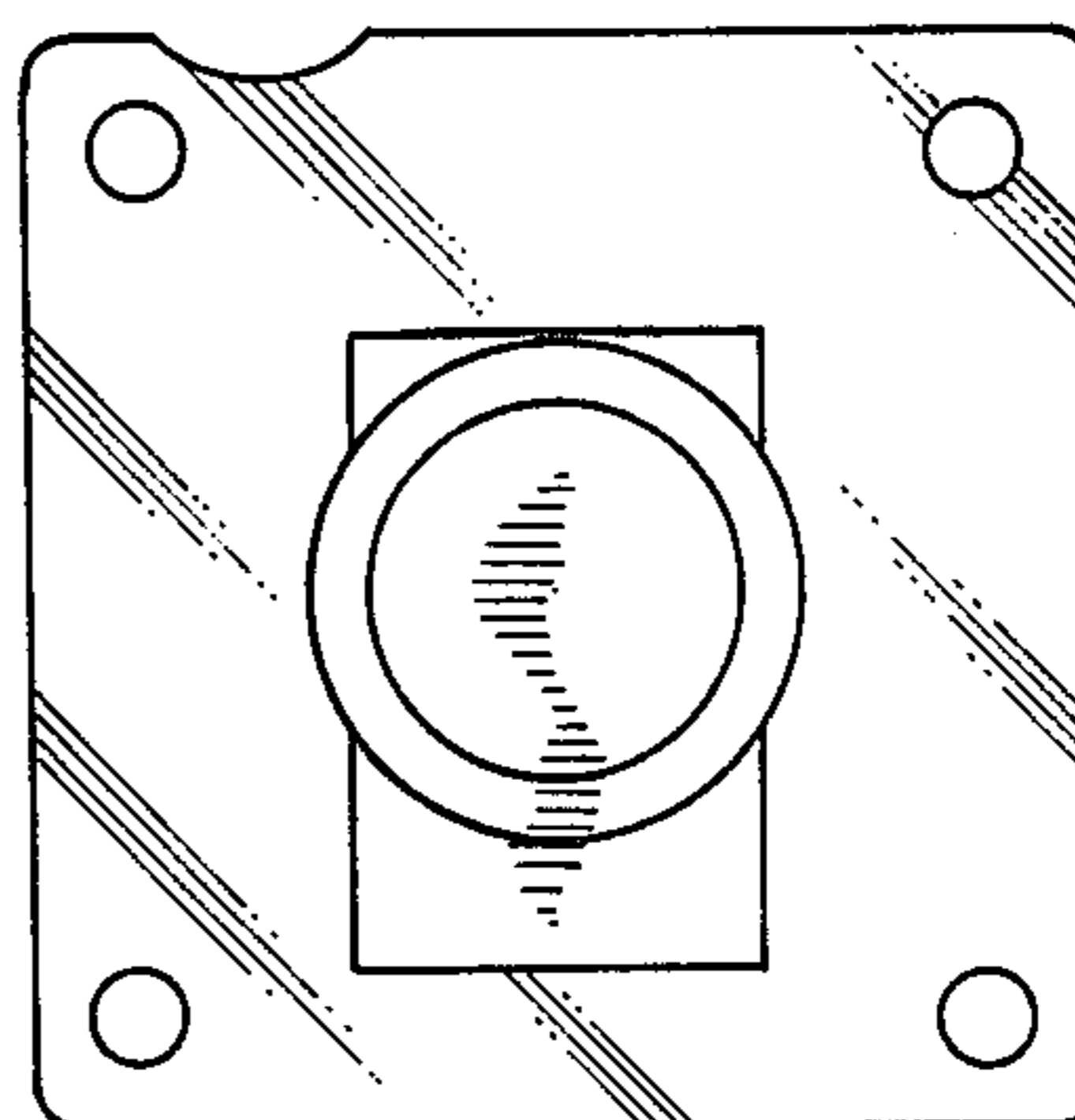


FIG. 4

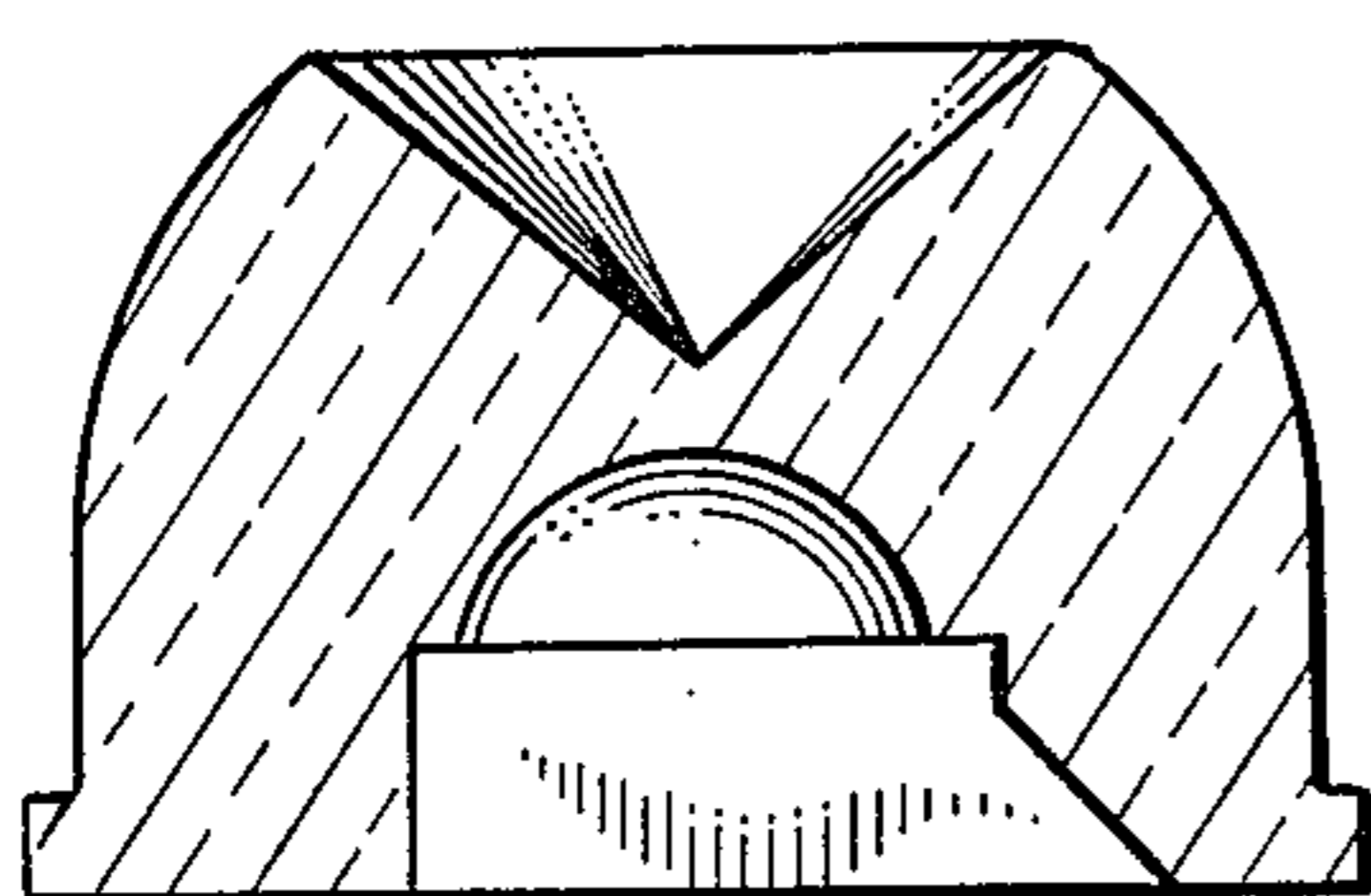


FIG. 5