

[54] **INDUCTIVE AMPLIFIER**

[75] Inventor: Donald P. Lalley, Tempe, Ariz.

[73] Assignee: Progressive Electronics, Inc., Mesa, Ariz.

[**] Term: 14 Years

[21] Appl. No.: 812,387

[22] Filed: Dec. 23, 1985

[52] U.S. Cl. D10/78; D10/103

[58] Field of Search D10/75, 78, 103;
324/73 PC, 72.5, 61 P, 234, 262, 73 R, 149, 156;
439/482

D. 276,796	12/1984	Allender	D10/78 X
D. 288,179	2/1987	Sekido	D10/78
D. 289,617	5/1987	Yajima	D10/78
D. 290,820	7/1987	Slovak	D10/78
3,893,028	7/1975	Febvre	324/72.5 X
4,219,774	8/1980	Rogel	324/234 X
4,724,382	2/1988	Schauerte	324/72.5 X

Primary Examiner—Nelson C. Holtje
Attorney, Agent, or Firm—M. David Shapiro

[57] **CLAIM**

The ornamental design for an inductive amplifier, as shown.

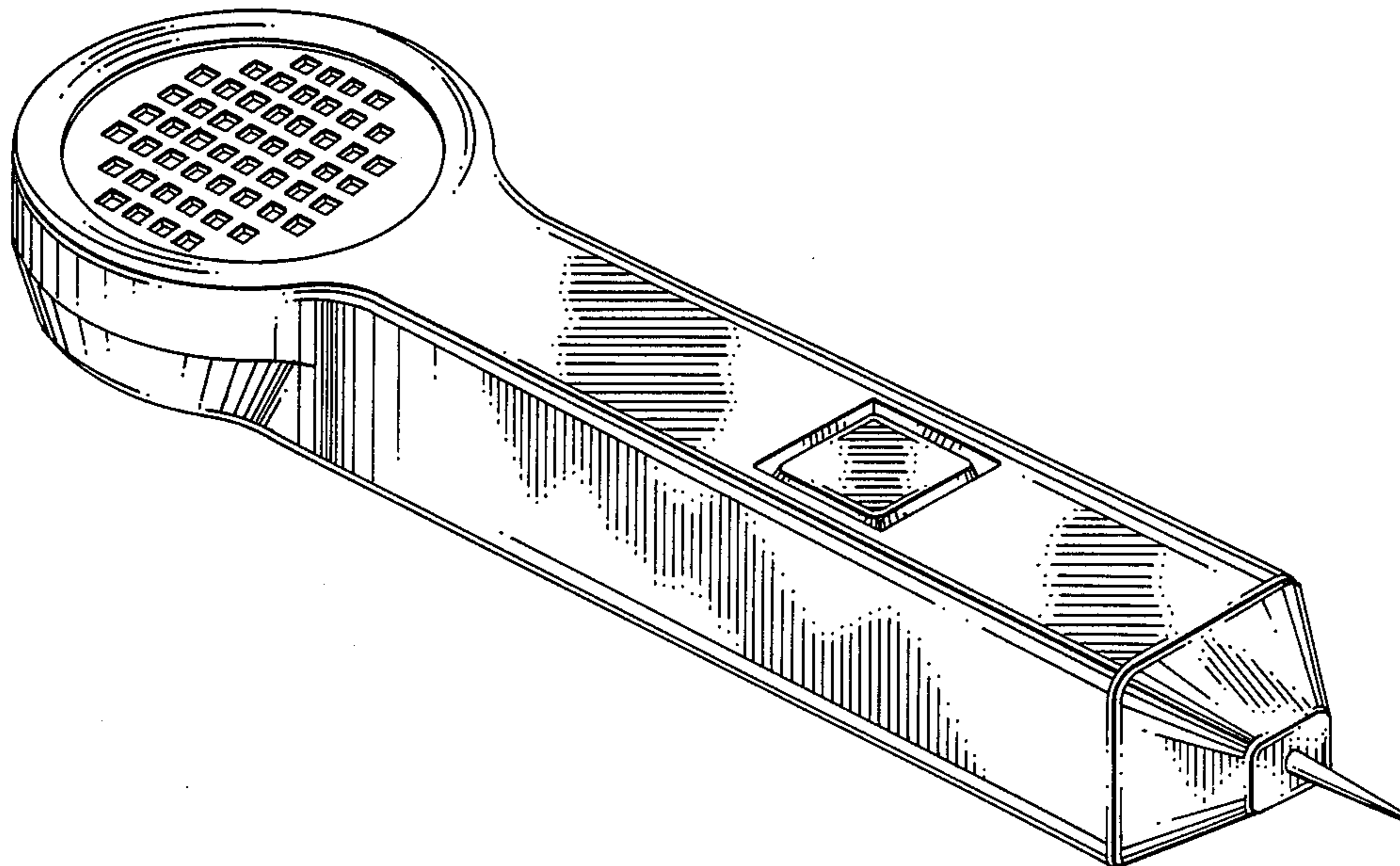
DESCRIPTION

FIG. 1 is a front and top-left perspective view of an inductive amplifier showing my new design;
FIG. 2 is a top plan view thereof;
FIG. 3 is a bottom plan view thereof;
FIG. 4 is a right side elevational view thereof;
FIG. 5 is a rear elevational view thereof;
FIG. 6 is a front elevational view thereof.

[56] **References Cited**

U.S. PATENT DOCUMENTS

D. 229,184	11/1973	Brown	D10/78
D. 246,956	1/1978	Perry	D10/78
D. 251,548	4/1979	Perry	D10/78
D. 260,618	9/1981	Koslar	D10/78
D. 260,619	9/1981	Koslar	D10/78



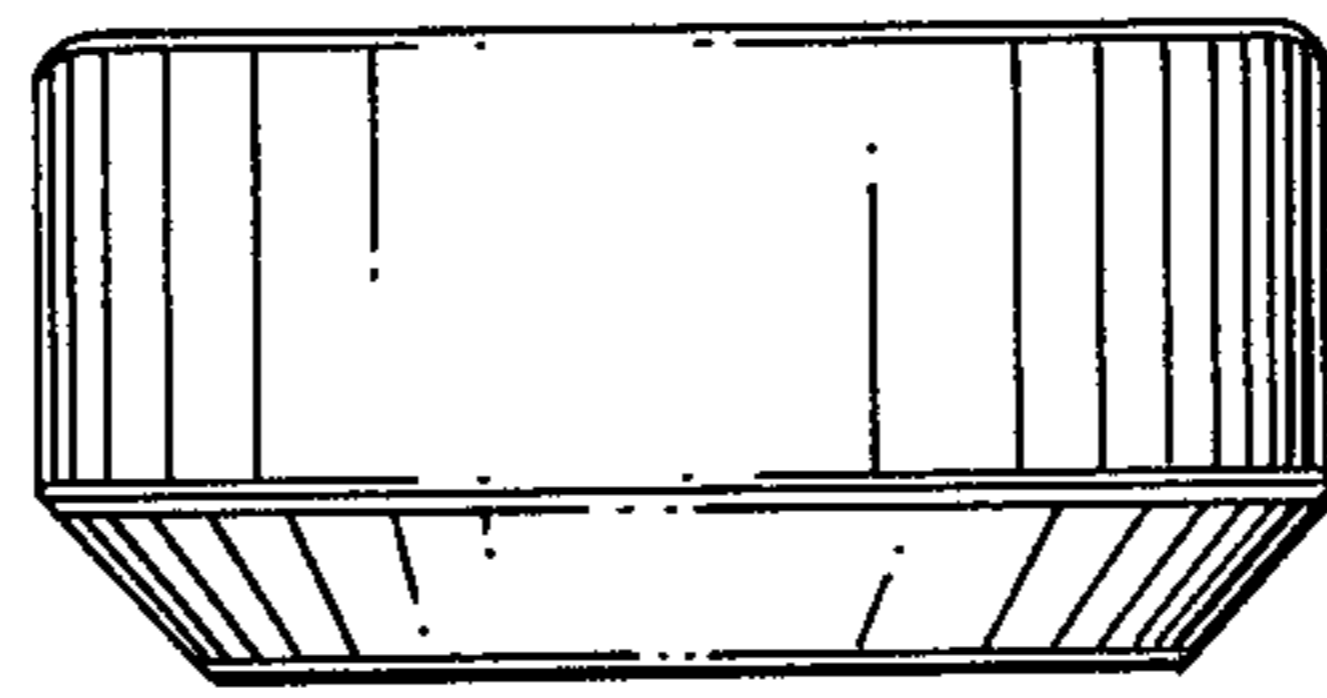
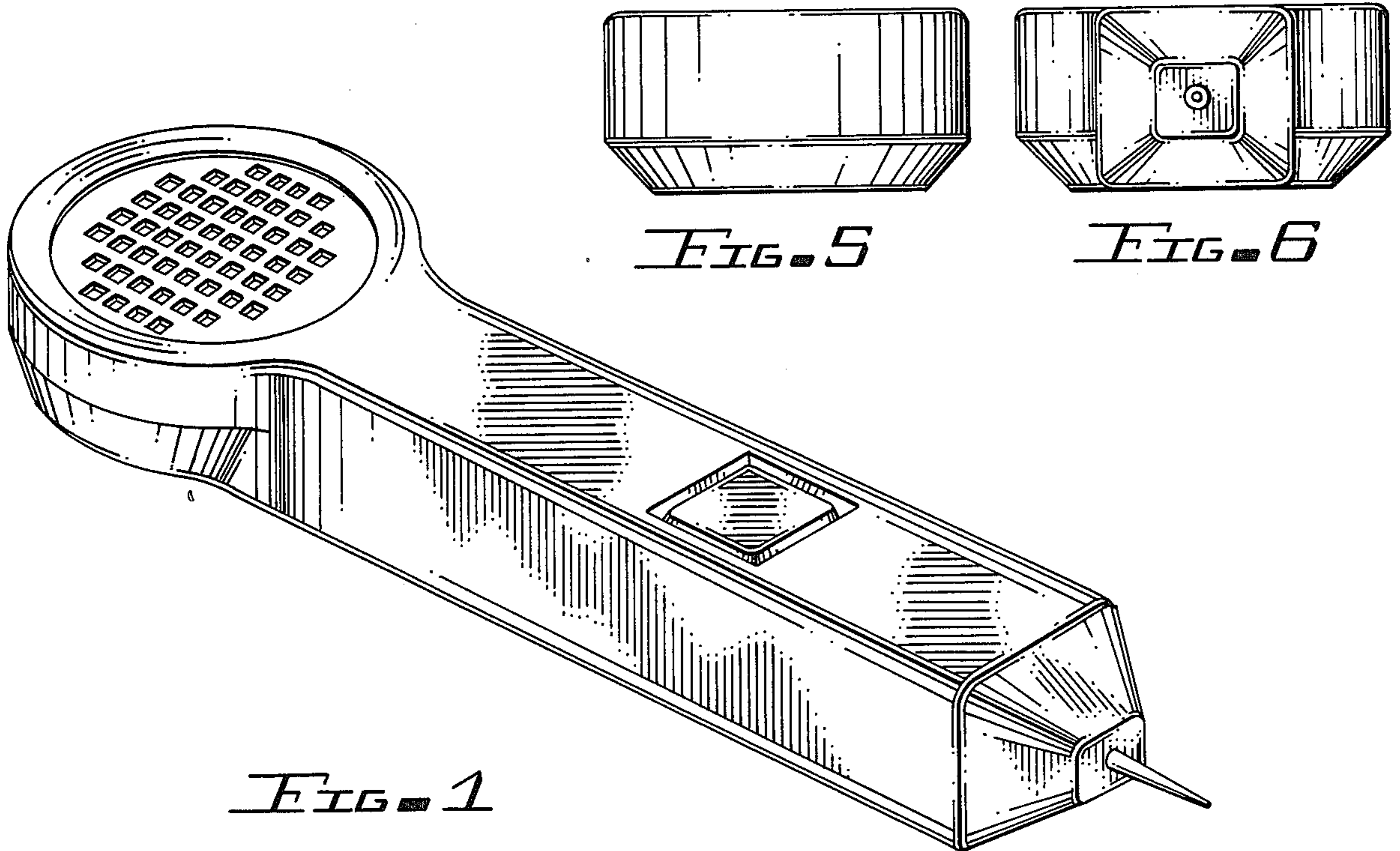


FIG. 5

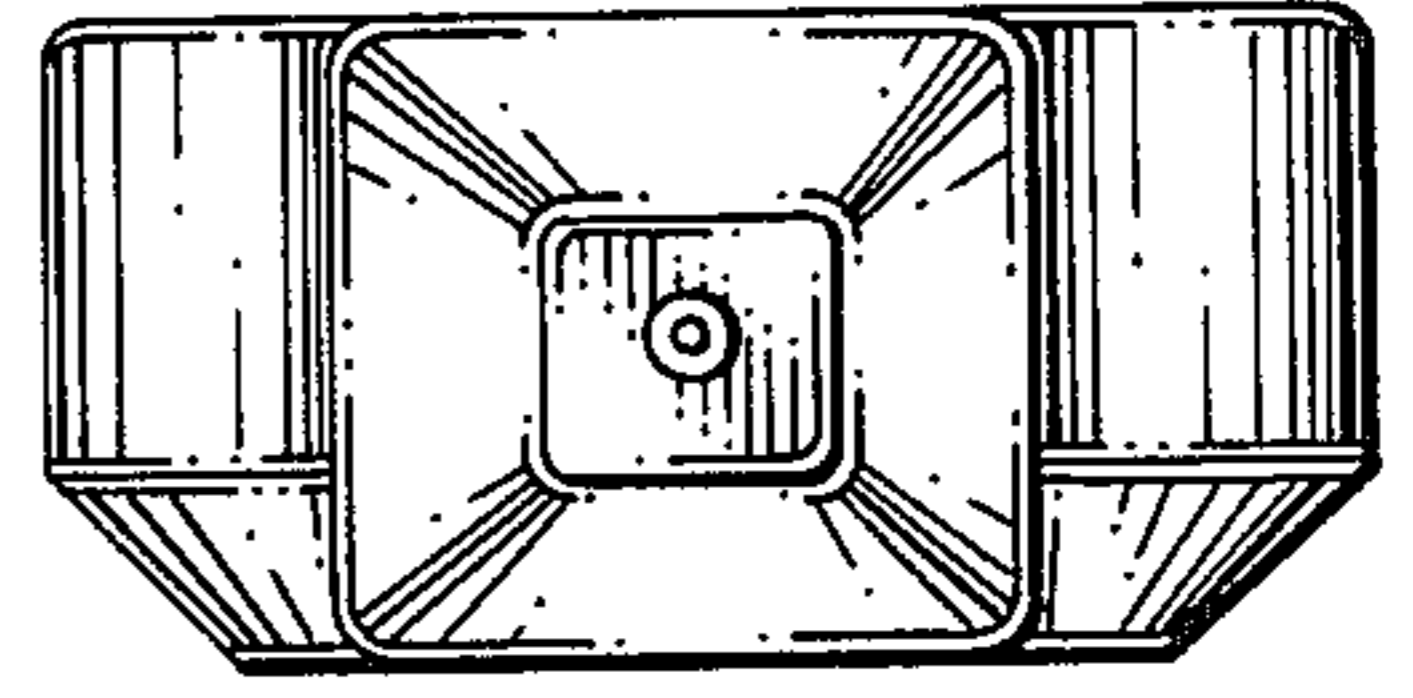


FIG. 6

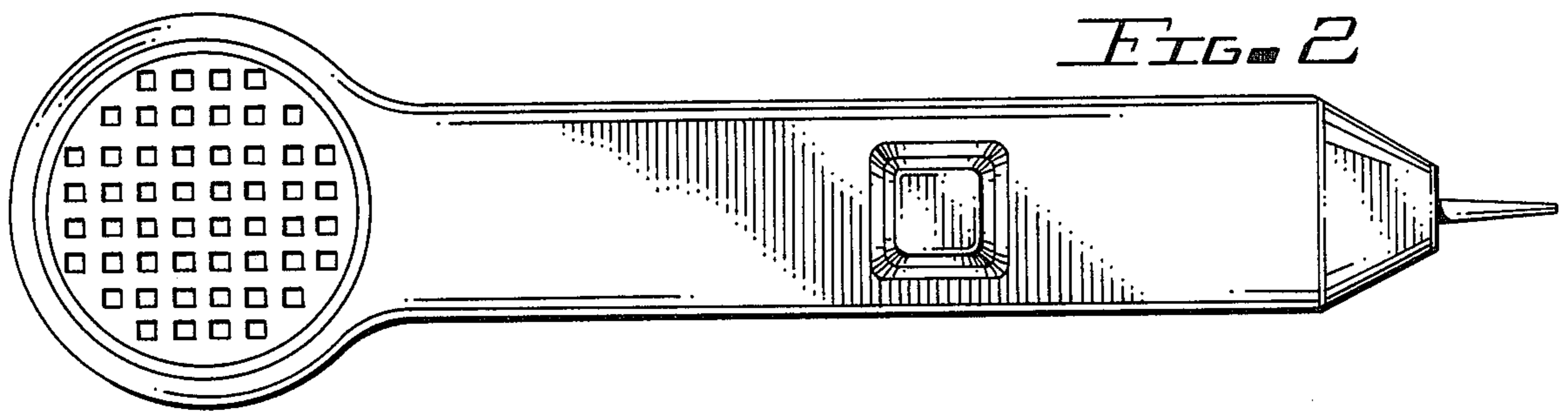


FIG. 2

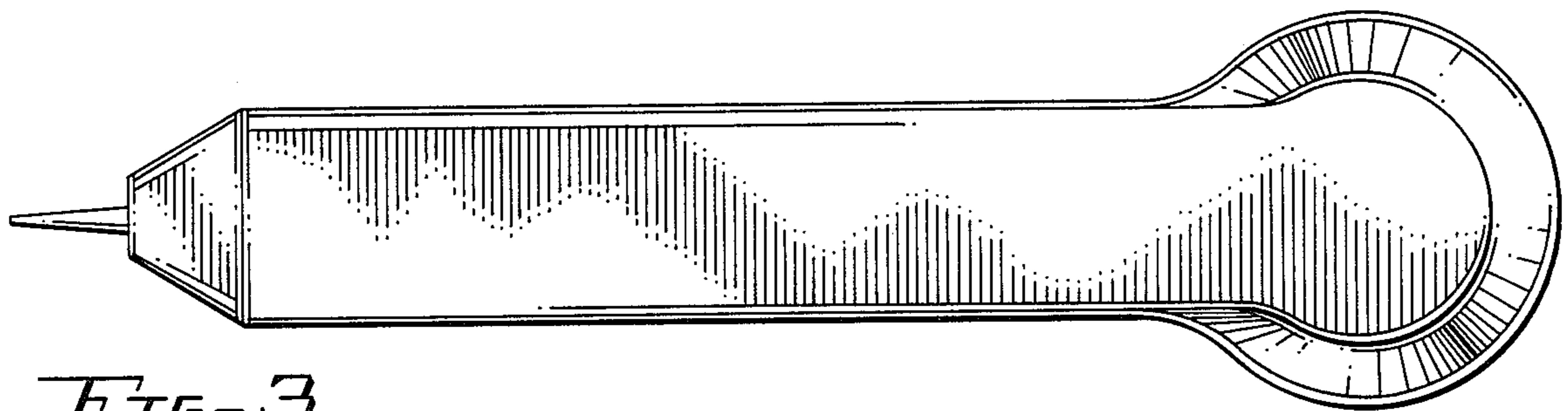


FIG. 3

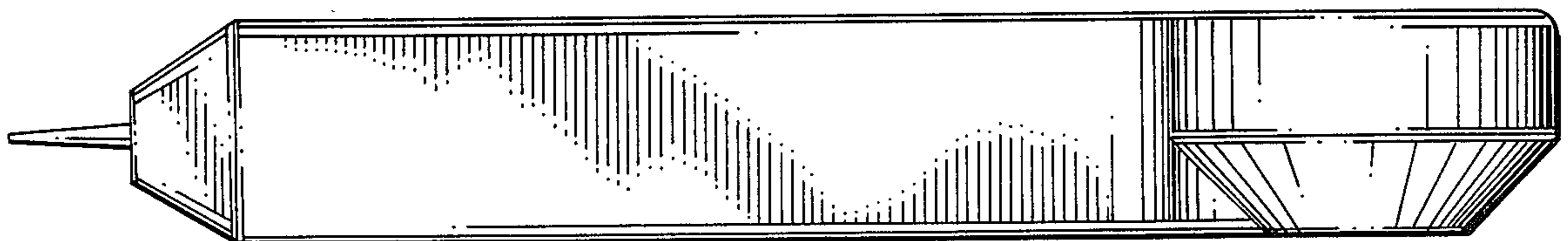


FIG. 4