

[54] CLOCK

D. 269,328 6/1983 Cheung D10/15
D. 270,522 9/1983 Cook D10/15

[75] Inventors: James M. Rittenhouse, Watchung, N.J.; Barry M. Haber, Westport, Conn.; Ting W. Wong, Oceanport, N.J.

OTHER PUBLICATIONS

Swiss Watch & Jewelry Journal-4/79-p. 405-Dig. Clocks at bottom.

[73] Assignee: Conair Corporation, Edison, N.J.

Primary Examiner—Nelson C. Holtje
Attorney, Agent, or Firm—Haynes N. Johnson

[**] Term: 14 Years

[57] CLAIM

[21] Appl. No.: 834,845

The ornamental design for a clock, as shown and described.

[22] Filed: Feb. 21, 1986

DESCRIPTION

[52] U.S. Cl. D10/15

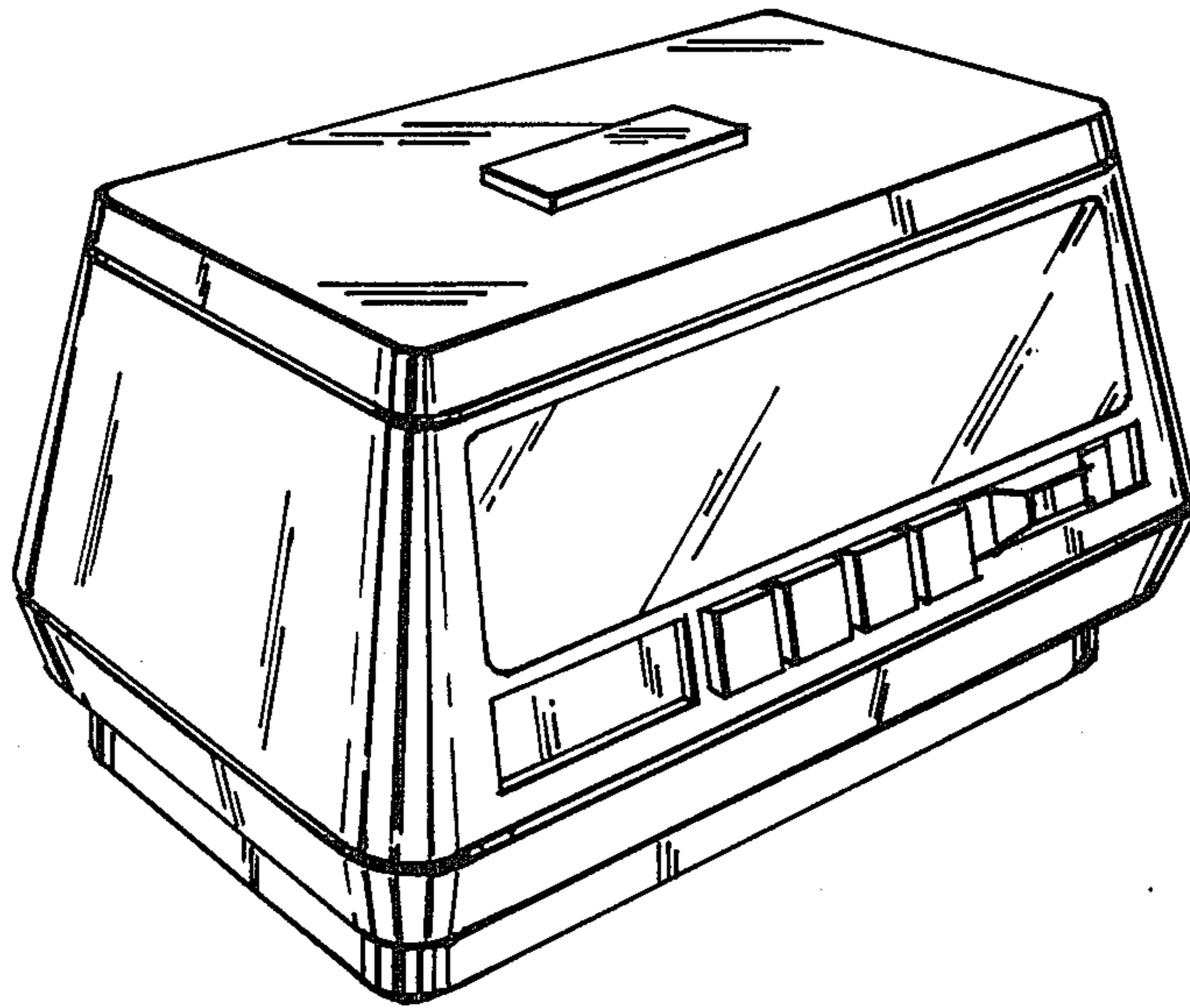
[58] Field of Search D10/1, 2, 15, 24-27;
D14/73; 368/10, 80-82, 239-262, 276-277,
285; D24/15

FIG. 1 is a front and top-left perspective view of a clock, showing our new design;
FIG. 2 front elevational view thereof;
FIG. 3 is a rear elevational view thereof;
FIG. 4 is a left side view thereof;
FIG. 5 is a right side view thereof;
FIG. 6 is a top plan view thereof; and
FIG. 7 is a bottom plan view thereof.

[56] References Cited

U.S. PATENT DOCUMENTS

D. 210,020 1/1968 Mackay D24/15
D. 264,944 6/1982 Palmer D10/15



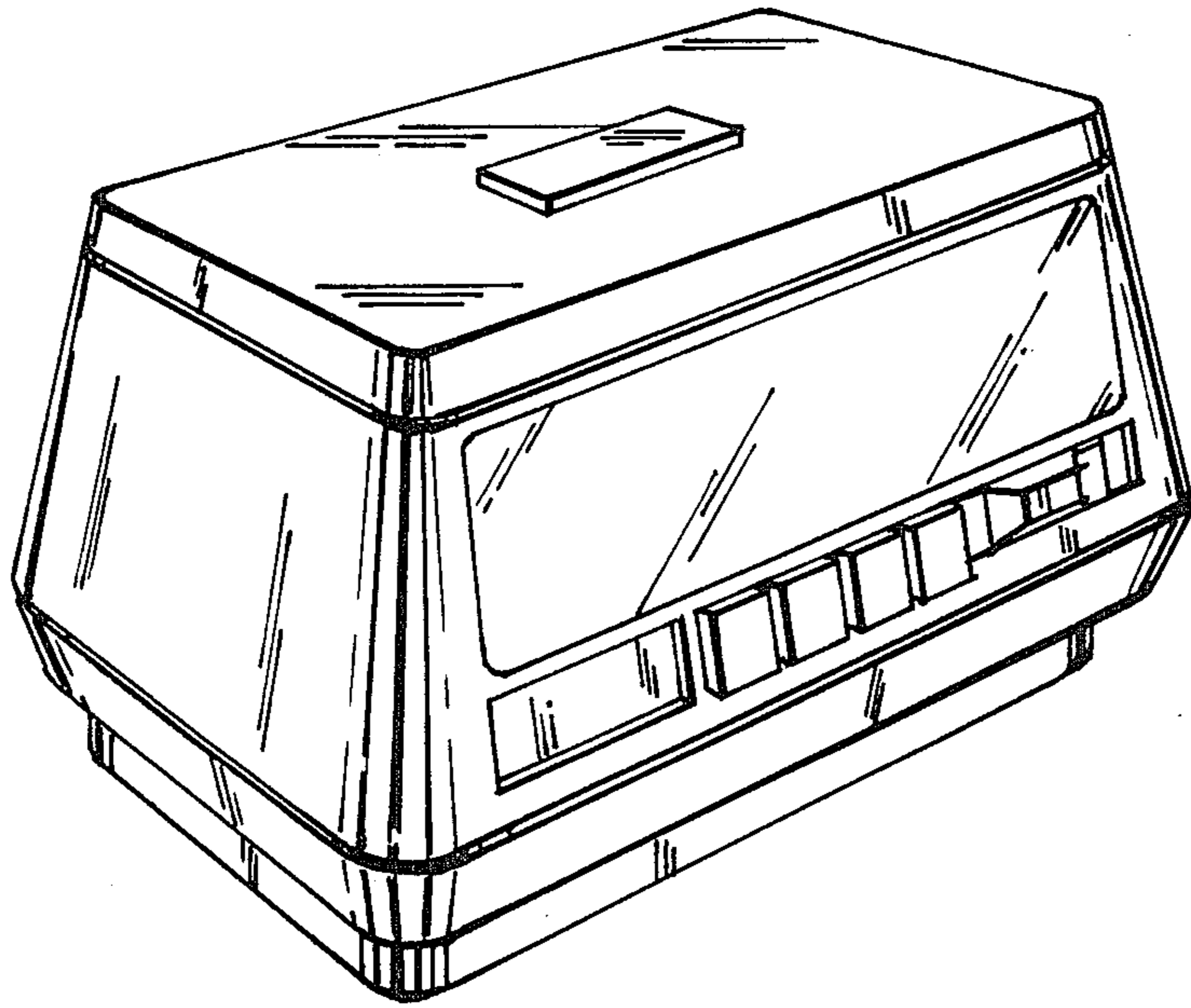


FIG. 1

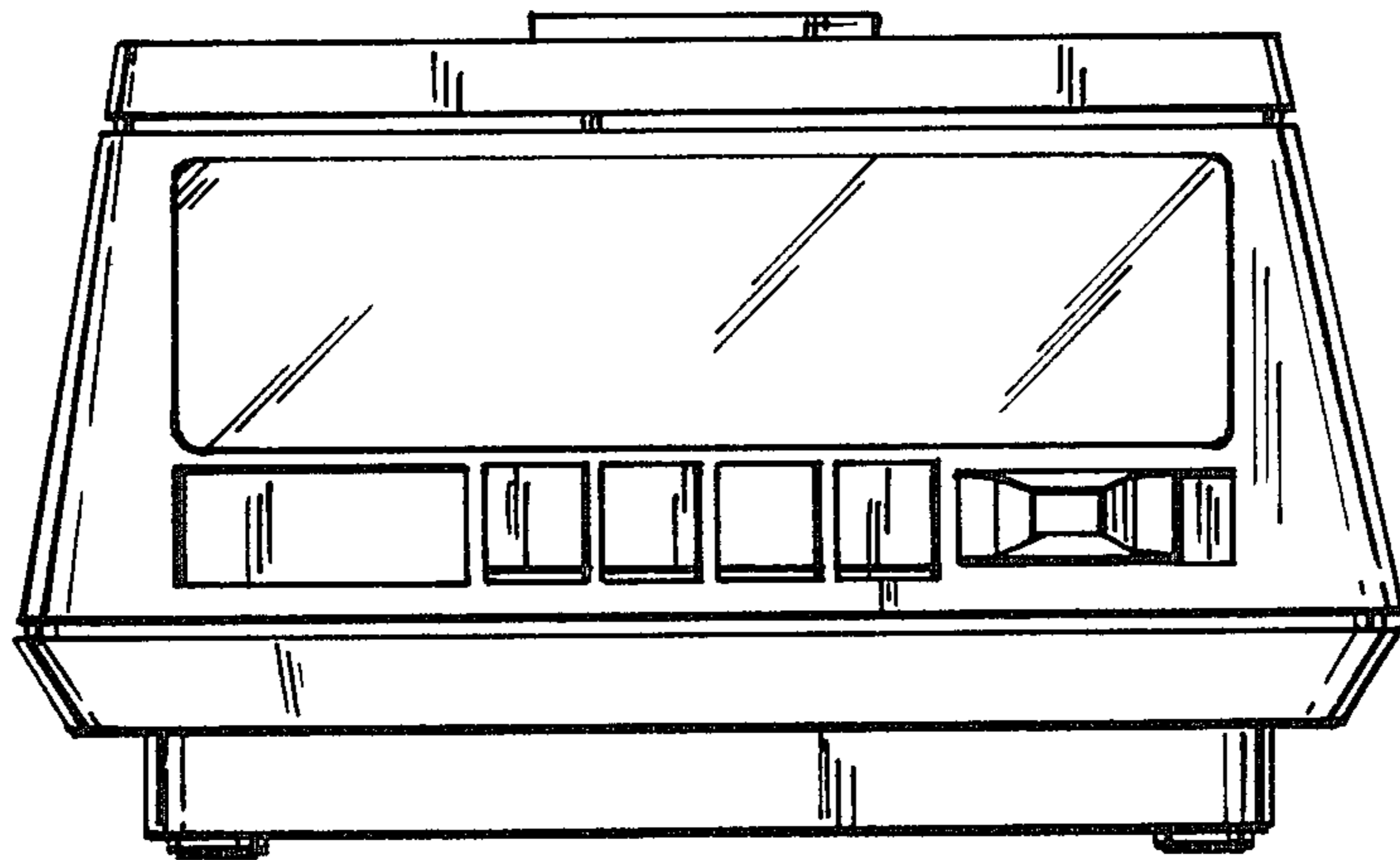


FIG. 2

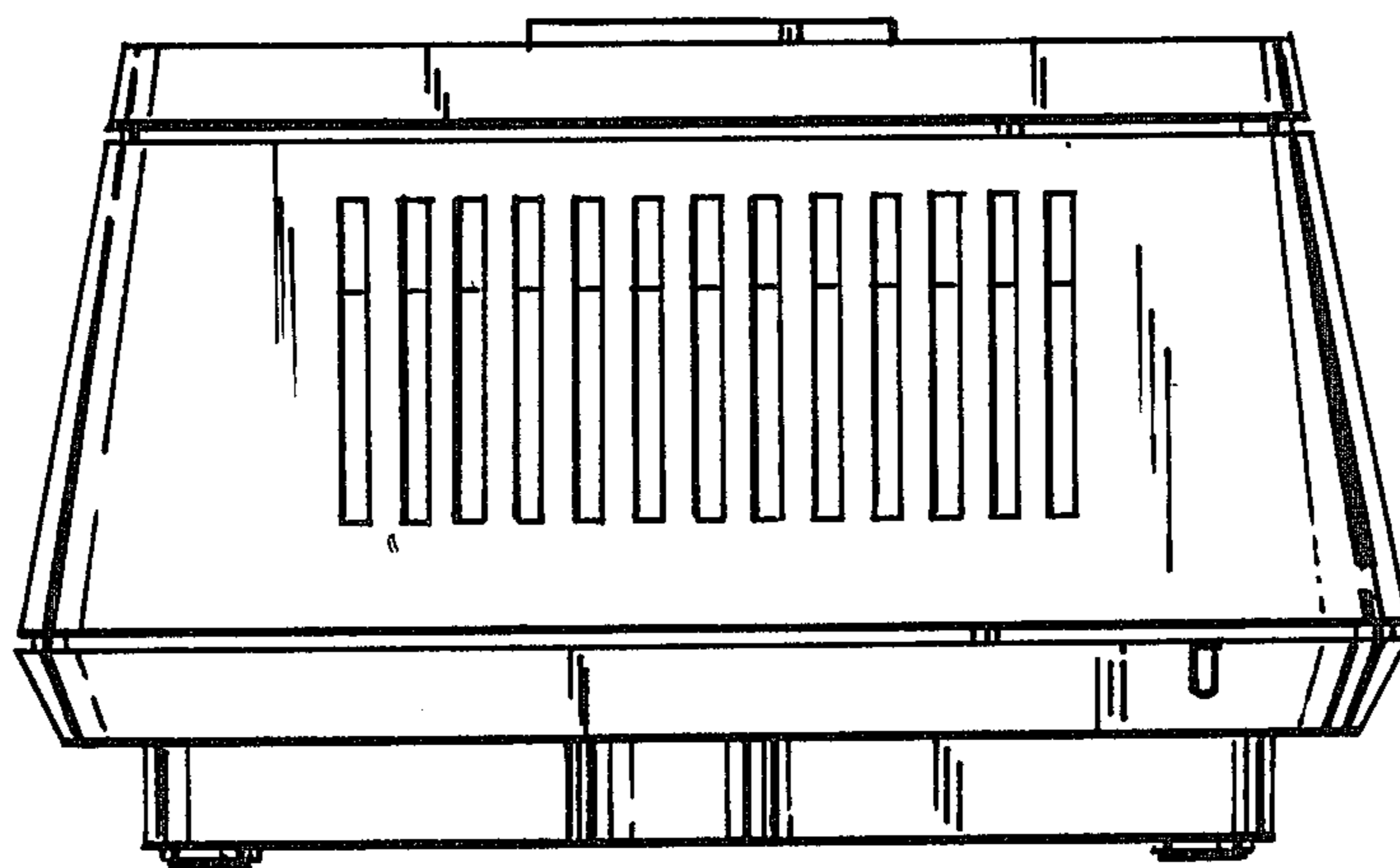


FIG. 3

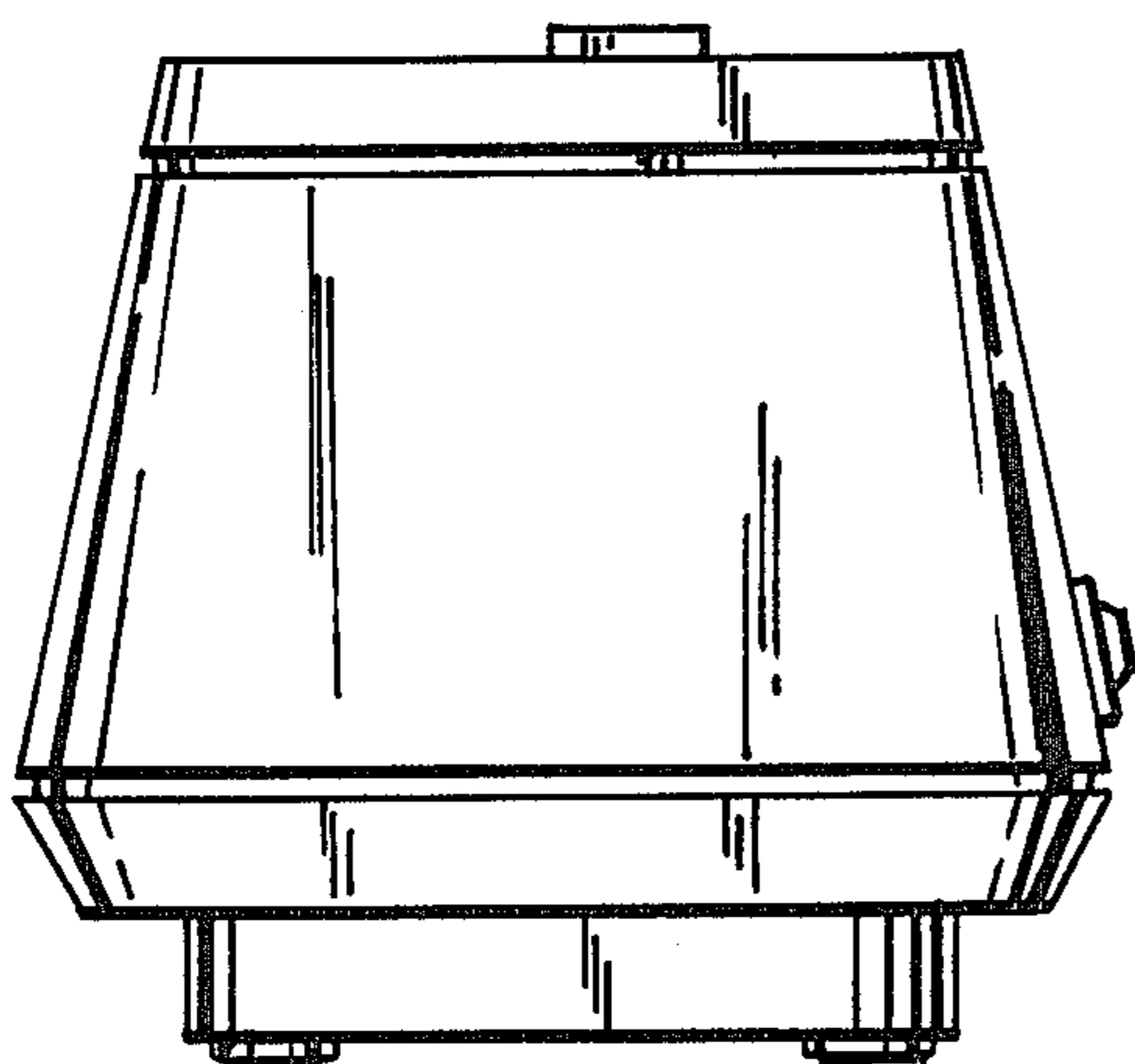


FIG. 4

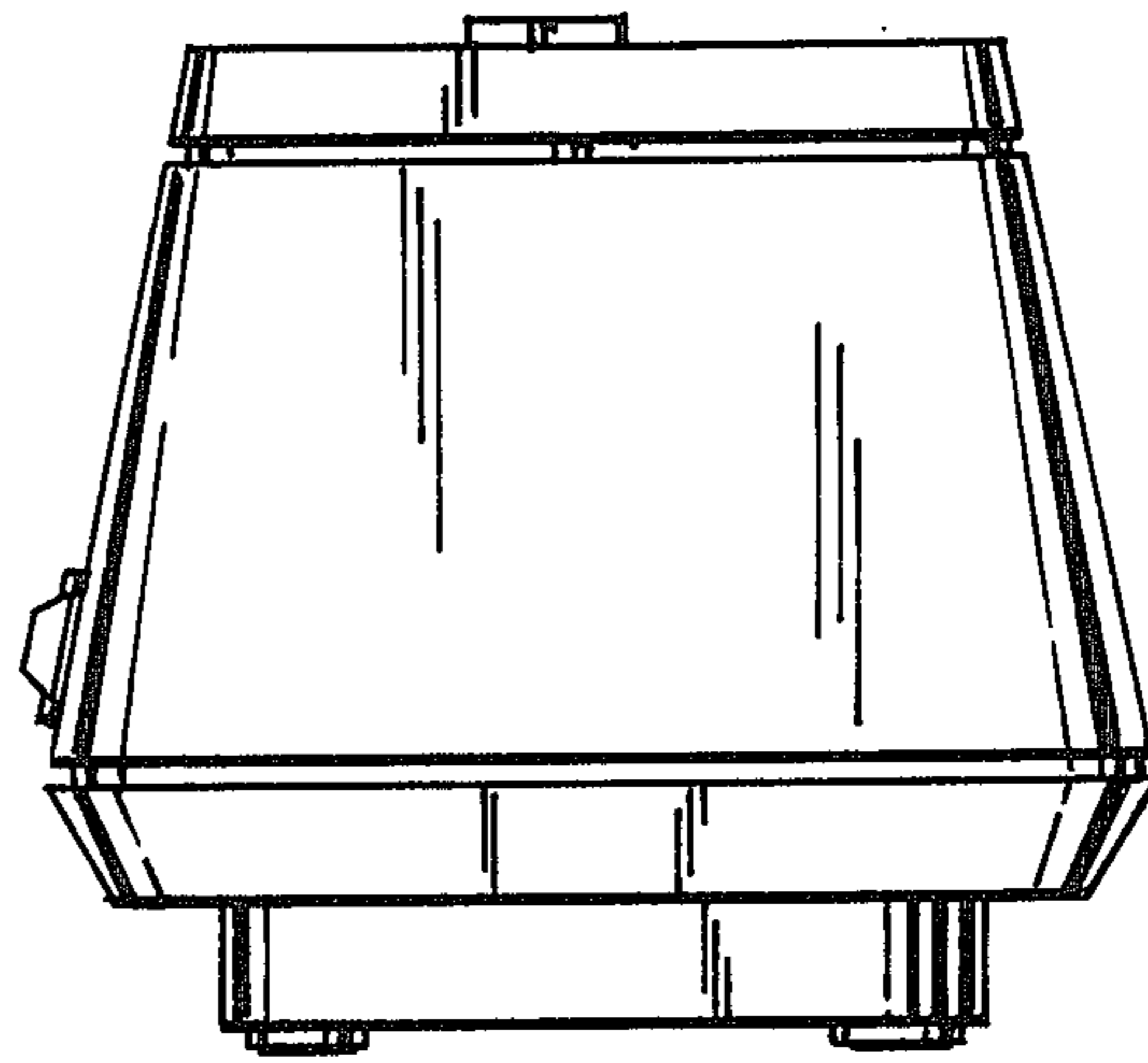


FIG. 5

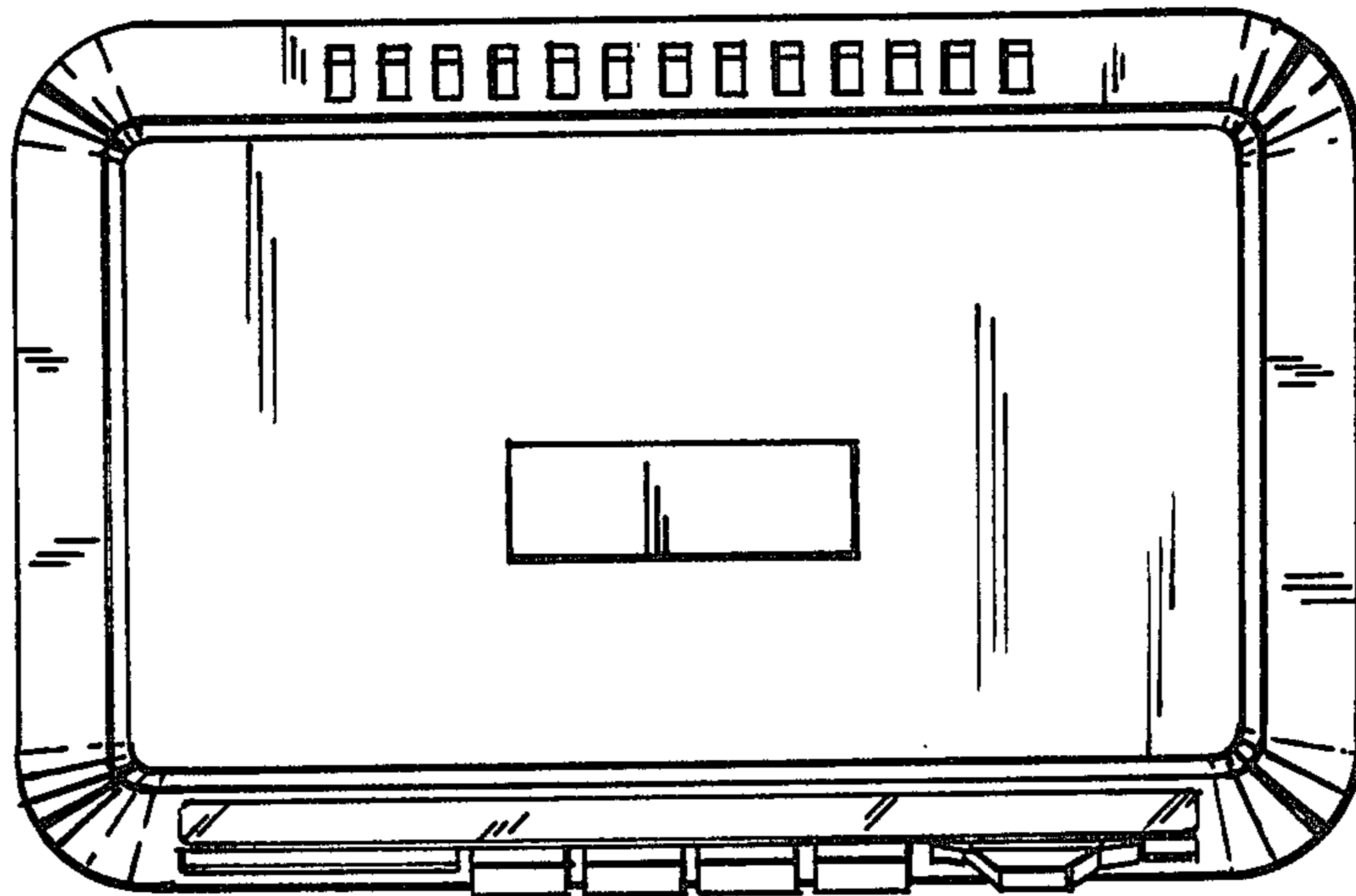


FIG. 6

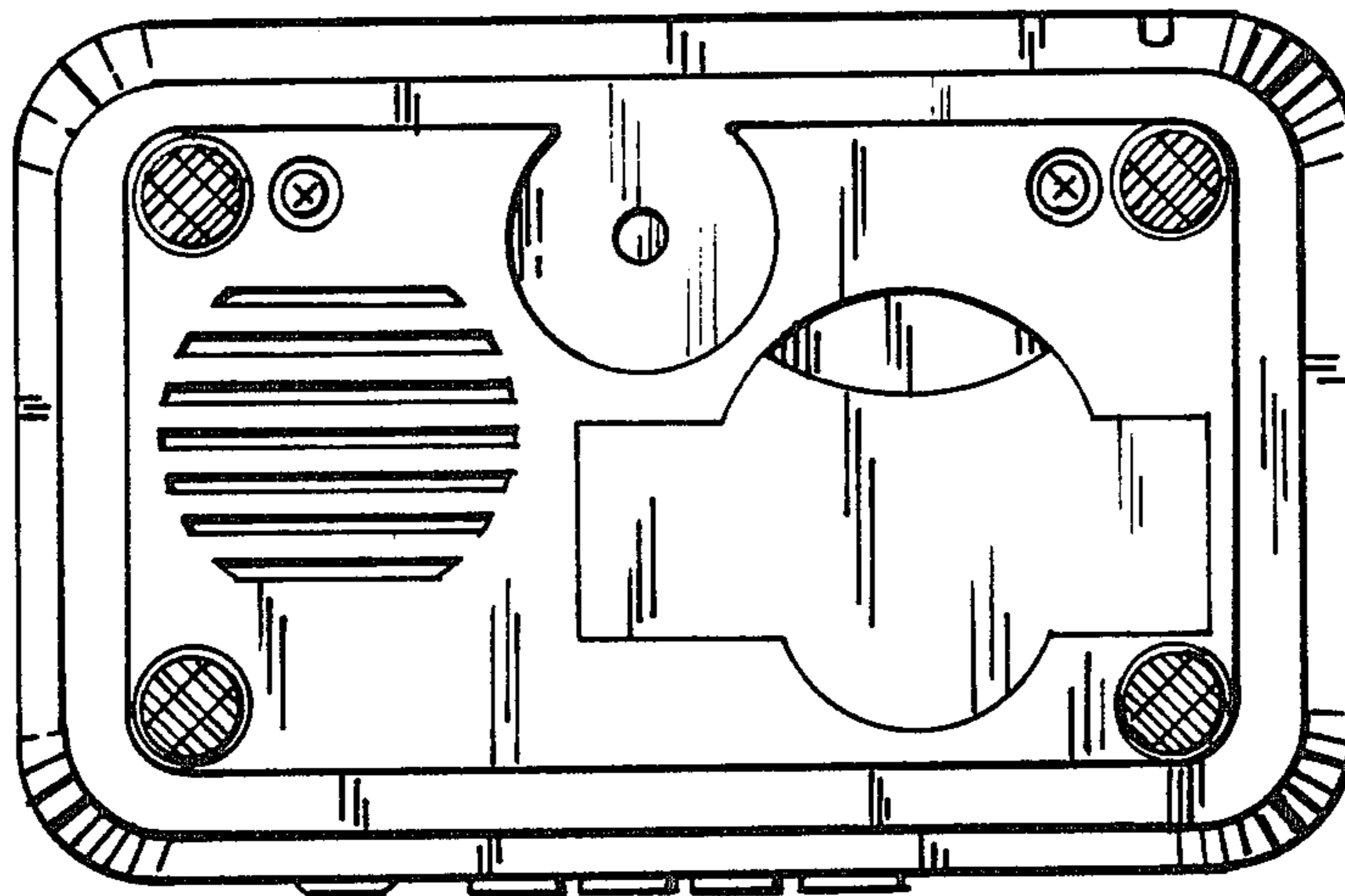


FIG. 7